

Shindaiwa Illustrated Parts List

C350 EC1 Brushcutter

CYLINDER / MUFFLER.....	2
CRANKCASE / CLUTCH DRUM.....	3
PISTON / CLUTCH SHOE.....	4
ROTOR.....	5
CARBURETOR / CLEANER.....	6 - 7
RECOIL STARTER.....	8
FUEL TANK.....	9
OUTER PIPE.....	10
GEAR CASE.....	11
THROTTLE LEVER.....	12
HARNESS.....	13
BLADE COVER.....	14
TOOL SET.....	14

www.shindaiwa.com

11975 SW Herman Road

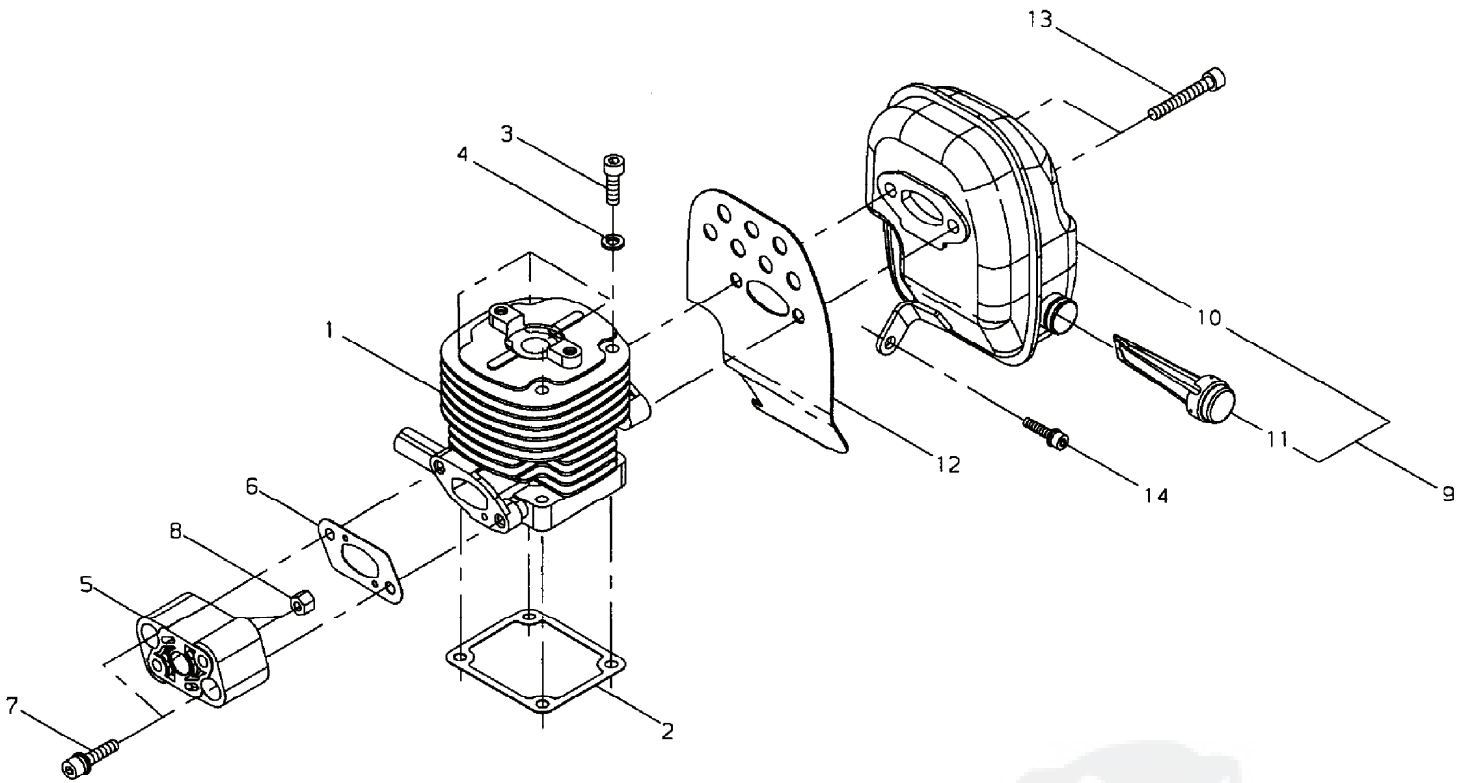
Tualatin, Oregon 97062, U.S.A.

1 + 503.692.3070 • fax 1 + 503.692.6696 •

shindaiwa

CYLINDER / MUFFLER

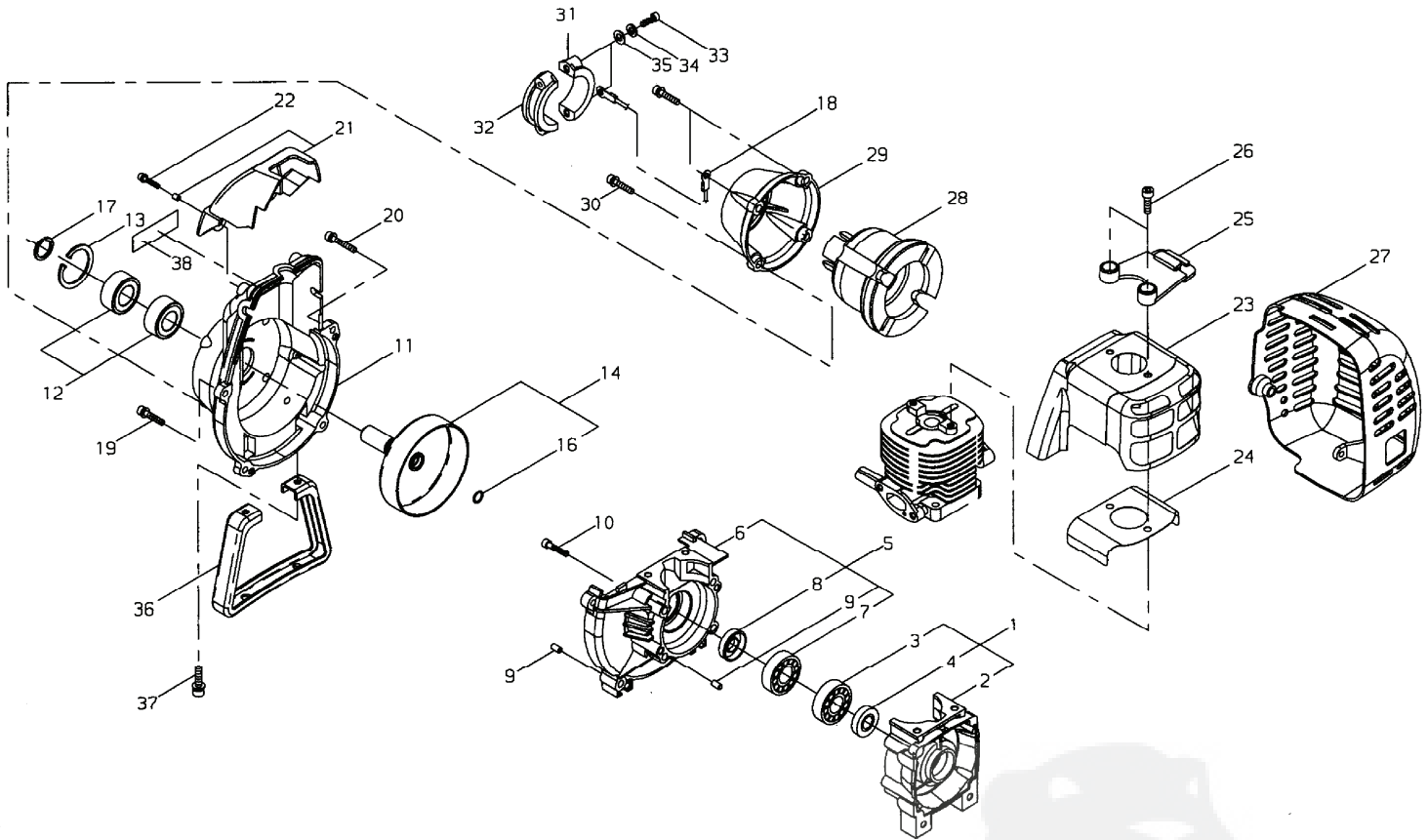
ILLUSTRATION 1 - REV 6/05



Ref. No	Part No.	Part Name	Q'ty
1-1	70196-12110	CYLINDER	1
2	20010-12121	GASKET CYLINDER	1
3	01020-05250	BOLT	4
4	01600-05131	SPRING WASHER	4
5	20060-12210	INSULATOR	1
6	20011-12221	GASKET	1
7	11022-05250	BOLT SPW	2
8	20024-12260	NUT	2
9	62102-15010	MUFFLER ASSEMBLY	1
10	62104-15110	*MUFFLER	1
11	70200-15151	*SPARK ARRESTER	1
12	62104-15210	GASKET	1
13	01020-06250	BOLT	2

CRANKCASE / CLUTCH DRUM

ILLUSTRATION 2 - REV 6/05



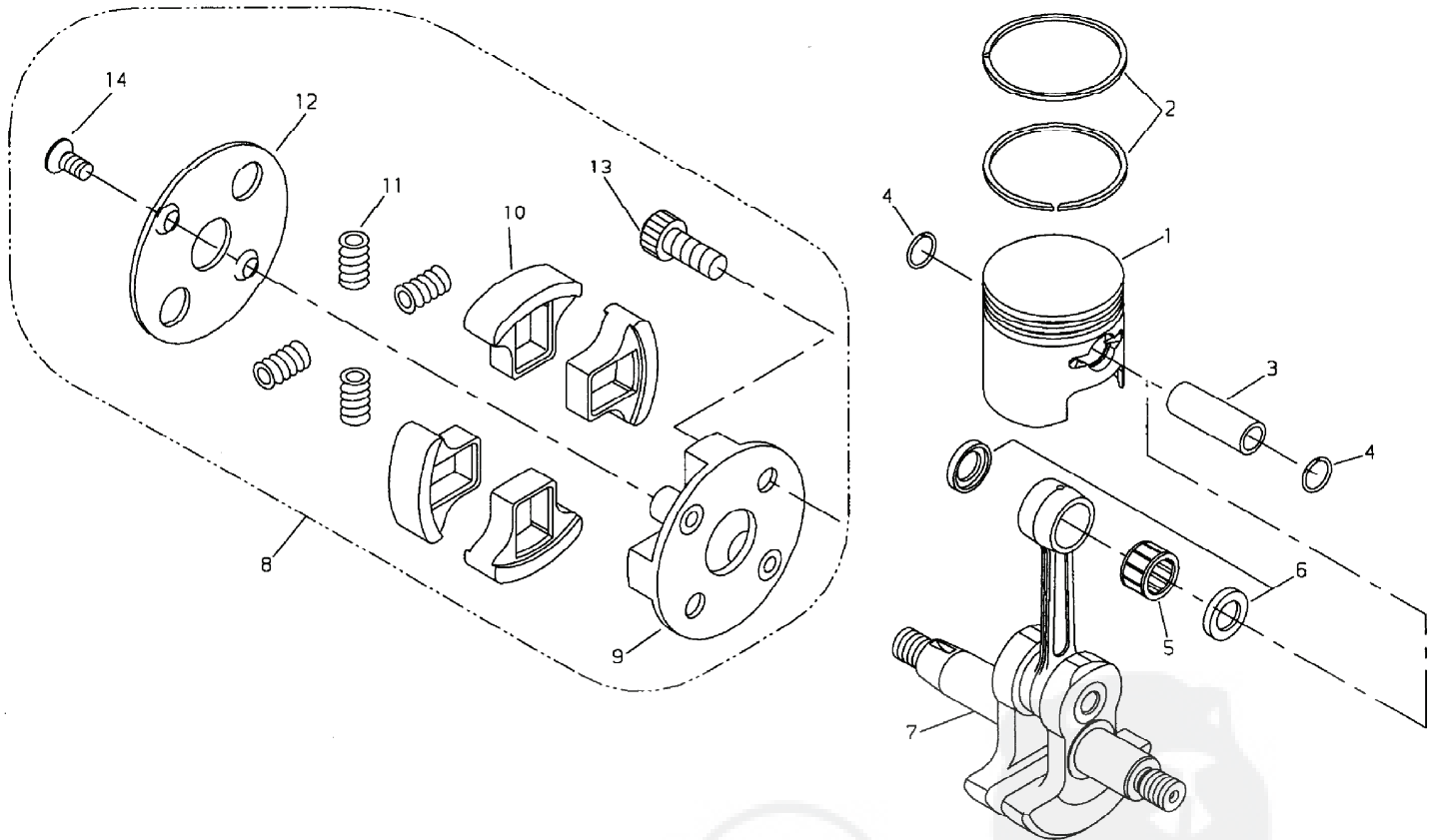
Ref. No	Part No.	Part Name	Q'ty
2-1	72935-21101	CRANKCASE S COMP	1
2	72935-21111	*CRANKCASES	1
3	12900-62020	*BEARING	1
4	20010-21211	*OIL SEAL	1
5	70062-21200	CRANKCASE M COMP	1
6	72921-21121	*CRANKCASE M	1
7	12900-62020	*BEARING	1
8	20010-21211	*OIL SEAL	1
9	12492-50100	*DOWEL PIN	4
10	01020-05300	BOLT	4
11	70012-31111	FAN COVER	1
12	02006-06002	BEARING	2
13	02432-32120	SNAP RING	1
14	20011-31200	CLUTCH DRUM SET	1
16	20011-31220	*SNAP RING	1
17	20011-31230	SNAP RING	1
18	70192-31510	EARTH CORD	1
19	11022-05200	BOLT SPW	3

Ref. No	Part No.	Part Name	Q'ty
20	11022-05300	BOLT SW	1
21	70131-34100	PROTECTOR COMP	1
22	11024-04160	BOLT SLPW	2
23	70196-32110	CYLINDER COVER	1
24	70196-32141	GASKET	1
25	62104-32310	STAY	1
26	11022-05180	BOLT SPW	2
27	62104-32320	MUFFLER COVER	1
28	20011-35110	JOINT	1
29	70012-35130	CAP JOINT	1
30	11022-05200	BOLT SPW	4
31	20011-35141	CLAMP A	1
32	20011-35151	CLAMP B	1
33	01020-05250	BOLT	2
34	01600-05131	SPRING WASHER	2
35	01610-05080	WASHER	2
36	70200-33112	STAND	1
37	11022-05160	BOLT SPW	2
38	70200-31151	LABEL TRADE	1

* Denotes item is part of an assembly ** Denotes item is part of a sub-assembly

PISTON / CLUTCH SHOE

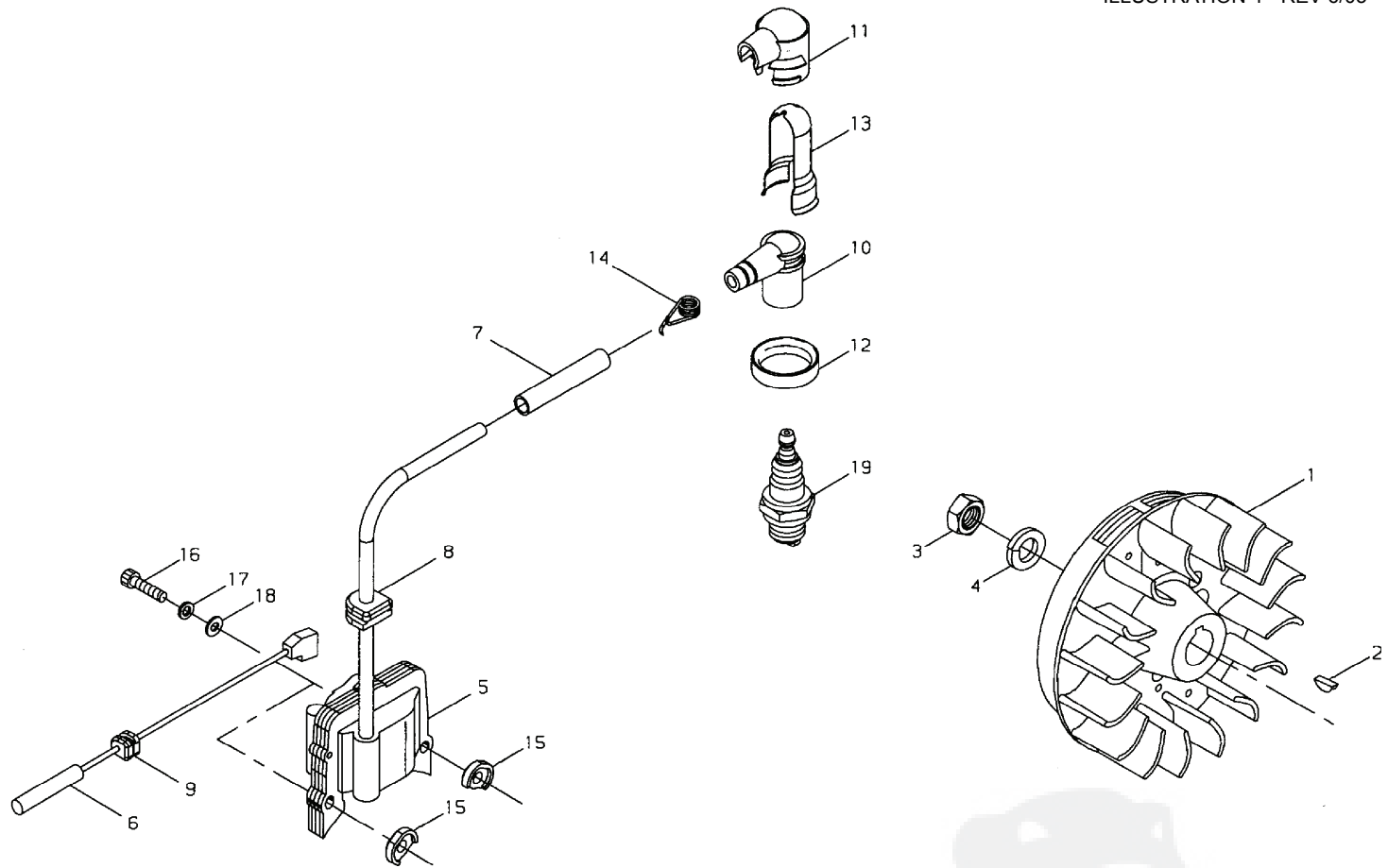
ILLUSTRATION 3 - REV 6/05



Ref. No	Part No.	Part Name	Q'ty
3-1	20010-41110	PISTON	1
2	20010-41210	PISTON RING	2
3	20010-41310	PISTON PIN	1
4	22100-41230	SNAP RING	2
5	20010-41330	NEEDLE BEARING	1
6	70200-41340	THRUST WASHER	2
7	20010-42002	CRANKSHAFT ASSEMBLY	1
8	70210-51100	CLUTCH SHOE ASSEMBLY	1
9	20020-51112	*CLUTCH BOSS	1
10	20020-51121	*CLUTCH SHOE	4
11	20020-51131	*SPRING	4
12	20020-51140	*PLATE	1
13	20020-51150	*CLUTCH BOLT	2
14	70210-51160	*SCREW FLAT	2

ROTOR

ILLUSTRATION 4 - REV 6/05

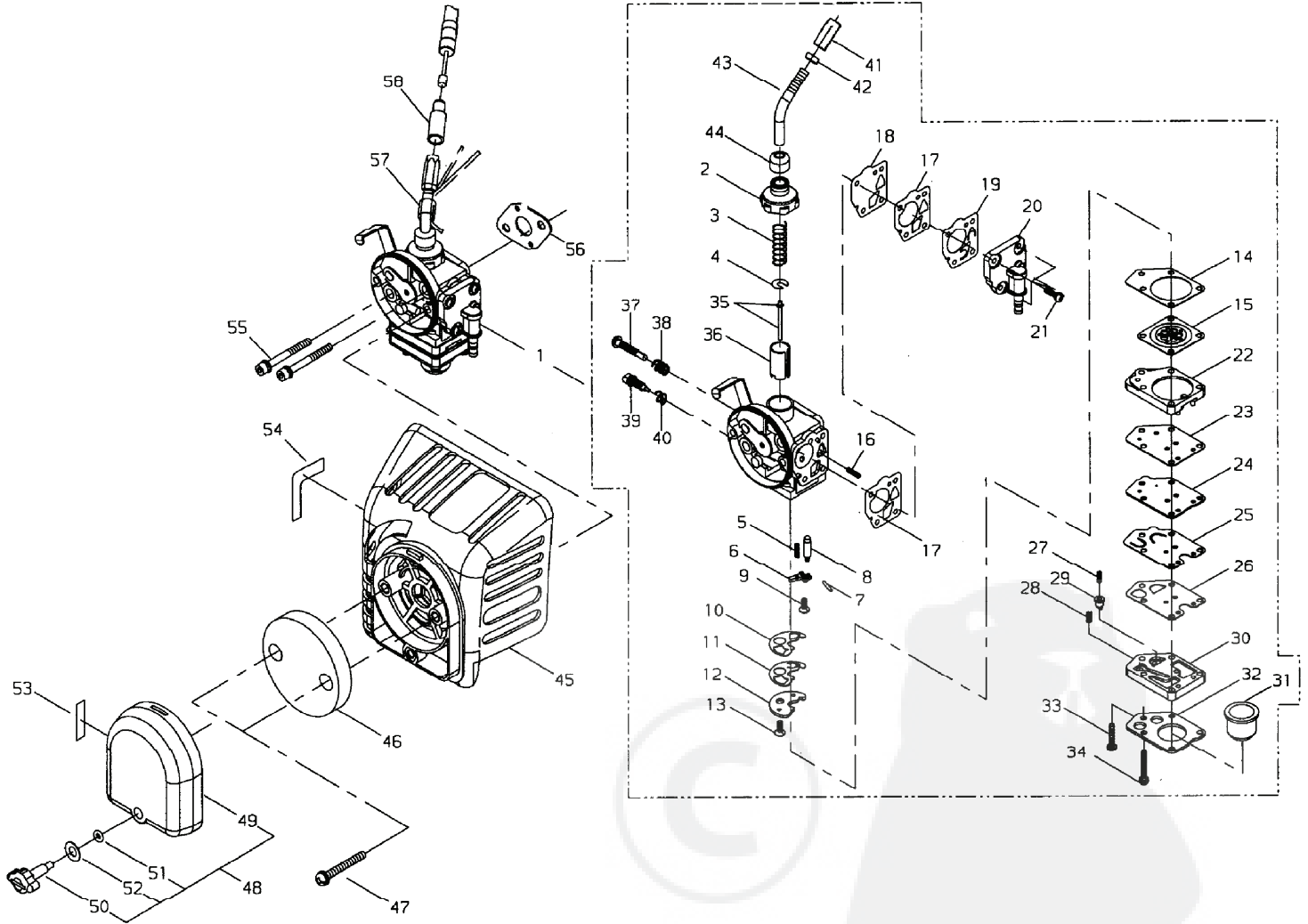


Ref. No	Part No.	Part Name	Q'ty
4-1	70200-71200	ROTOR	1
2	02403-03100	KEY	1
3	01511-10061	NUT	1
4	01600-10251	SPRING WASHER	1
5	70200-71610	COIL	1
6	70200-71640	CORD	1
7	20011-71660	TUBE	1
8	20011-72110	GROMMET	1
9	20011-72120	GROMMET	1
10	20010-72221	PLUG CAP	1
11	20000-72241	PLUG CAP COVER	1
12	20000-72250	COVER BAND	1
13	70180-72260	SHIELD	1
14	20000-72230	SPRING SPARKPLUG	1
15	20010-71631	SPACER COIL	2
16	01020-04240	BOLT	2
17	01600-04101	SPRING WASHER	2
18	20010-71650	WASHER	2
19	13000-13406	SPARKPLUGBMR6A	1

* Denotes item is part of an assembly ** Denotes item is part of a sub-assembly

CARBURETOR / CLEANER

ILLUSTRATION 6 - REV 6/05



CARBURETOR / CLEANER

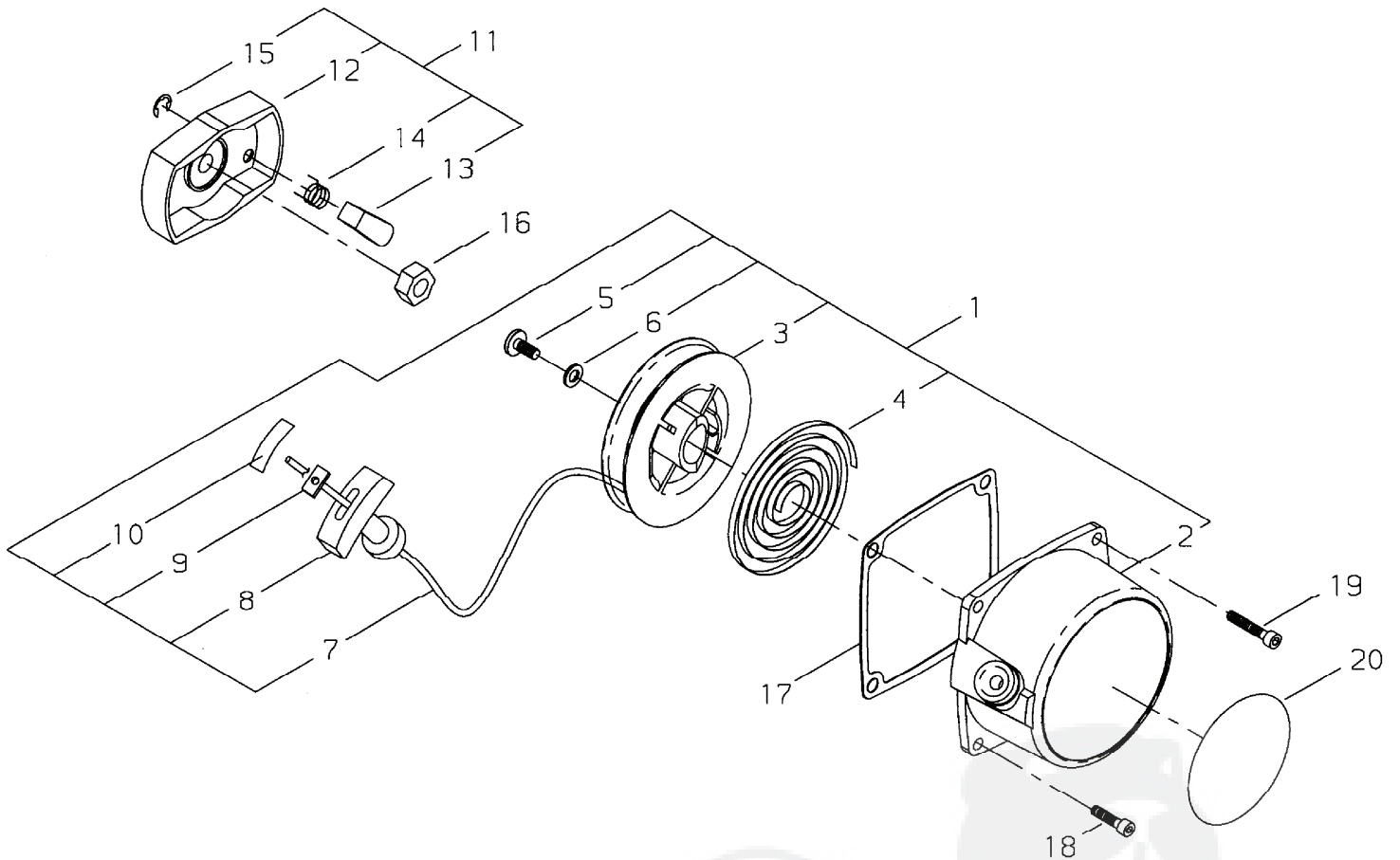
ILLUSTRATION 6 - REV 6/05

Ref. No	Part No.	Part Name	Q'ty
6-1	62102-81010	CARBURETOR ASSEMBLY	1
2	20055-81120	*BODY CAP	1
3	20003-81140	*THROTTLE SPRING	1
4	20000-81150	*SPRING RECEIVE	1
5	20040-81430	*SPRING	1
6	20011-81451	*LEVER	1
7	20011-81460	*PIN	1
8	20000-81441	*NEEDLE VALVE	1
9	20011-81470	*SCREW	1
10	20087-81420	*PACKING	1
11	20087-81411	*CHECK VALVE	1
12	70200-81430	*PLATE	1
13	20011-81470	*SCREW	1
14	20087-81510	*GASKET	1
15	20087-81520	*DIAPHRAGM	1
16	20040-81680	*SPRING	2
17	20011-81630	*GASKET	2
18	20011-81621	*DIAPHRAGM	1
19	20087-81660	*PUMP VALVE	1
20	20087-81640	*PUMP BODY	1
21	20000-81650	*SCREW	4
22	20087-81550	*COVER	1
23	20087-81890	*PACKING	1
24	20087-81560	*PLATE	1
25	20087-81571	*CHECK VALVE	1
26	20087-81540	*GASKET	1
27	20087-81851	*SPRING	1
28	20087-81870	*SPRING	1
29	20087-81861	*VALVE	1

Ref. No	Part No.	Part Name	Q'ty
30	20087-81811	*PUMP BASE	1
31	20087-81820	*PUMP	1
32	20087-81830	*PLATE	1
33	20087-81840	*SCREW	1
34	20087-81880	*SCREW	4
35	62102-81320	*JET NEEDLE	1
36	70131-81180	*THROTTLE VALVE	1
37	20000-81310	*SLOW STOP SCREW	1
38	72920-81820	*SPRING	1
39	62102-81330	*MAIN ADJ SCREW	1
40	20011-81360	*SPRING	1
41	20055-81810	*CABLE ADJUSTER	1
42	20000-81260	*LOCKNUT	1
43	70107-81830	*ADJUST PIPE	1
44	20055-81130	*CAP	1
45	70102-81710	CLEANER BODY	1
46	20056-81740	FILTER	1
47	11207-04250	SCREW PM SLPW	2
48	20060-81761	CLEANER COVER COMP	1
49	20060-81770	*CLEANER COVER	1
50	20060-81781	*KNOB CLEANER COVER	1
51	22100-82430	*O-RING	1
52	20024-81790	*CONE WASHER	1
53	19404-00008	LABEL CHOKE	1
54	19404-00010	LABEL CARBURETOR	1
55	11022-05550	BOLT SW	2
56	20011-83411	GASKET CARBURETOR	1
57	20060-83180	PIPE	1
58	20005-83160	CABLE CAP	1

RECOIL STARTER

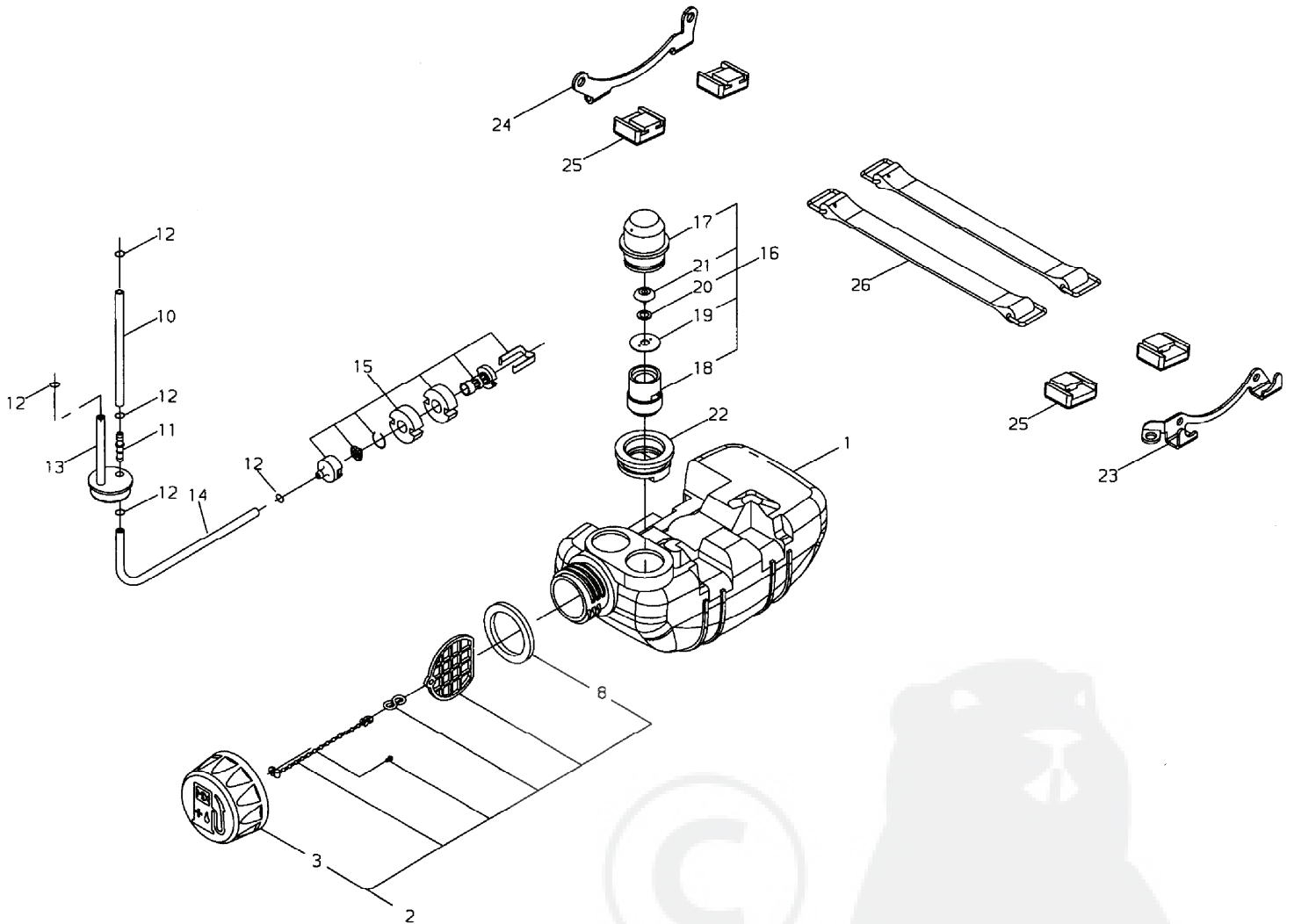
ILLUSTRATION 5 - REV 6/05



Ref. No	Part No.	Part Name	Q'ty
5-1	70131-75100	RECOIL STARTER SUB ASSEMBLY	1
2	70131-75110	*STARTER CASE	1
3	70131-75120	*REEL	1
4	20024-75130	*RECOIL SPRING	1
5	20035-75170	*SCREW	1
6	70131-75140	*WASHER	1
7	20020-75180	*ROPE	1
8	20010-75190	*STARTER KNOB	1
9	20010-75210	*STOPPER	1
10	20010-75230	*TAPE	1
11	70131-75200	STARTER PULLEY ASSEMBLY	1
12	70131-75211	*STARTER PULLEY	1
13	20024-75220	*RATCHET	1
14	20024-75230	*RETURN SPRING	1
15	20024-75240	*E-RING	1
16	20000-76210	NUT	1
17	20020-76111	GASKET STARTER	1
18	11022-04160	BOLT SPW	3
19	11022-04200	BOLT SPW	1
20	19420-00027	LABEL TRADE	1

FUEL TANK

ILLUSTRATION 7 - REV 6/05



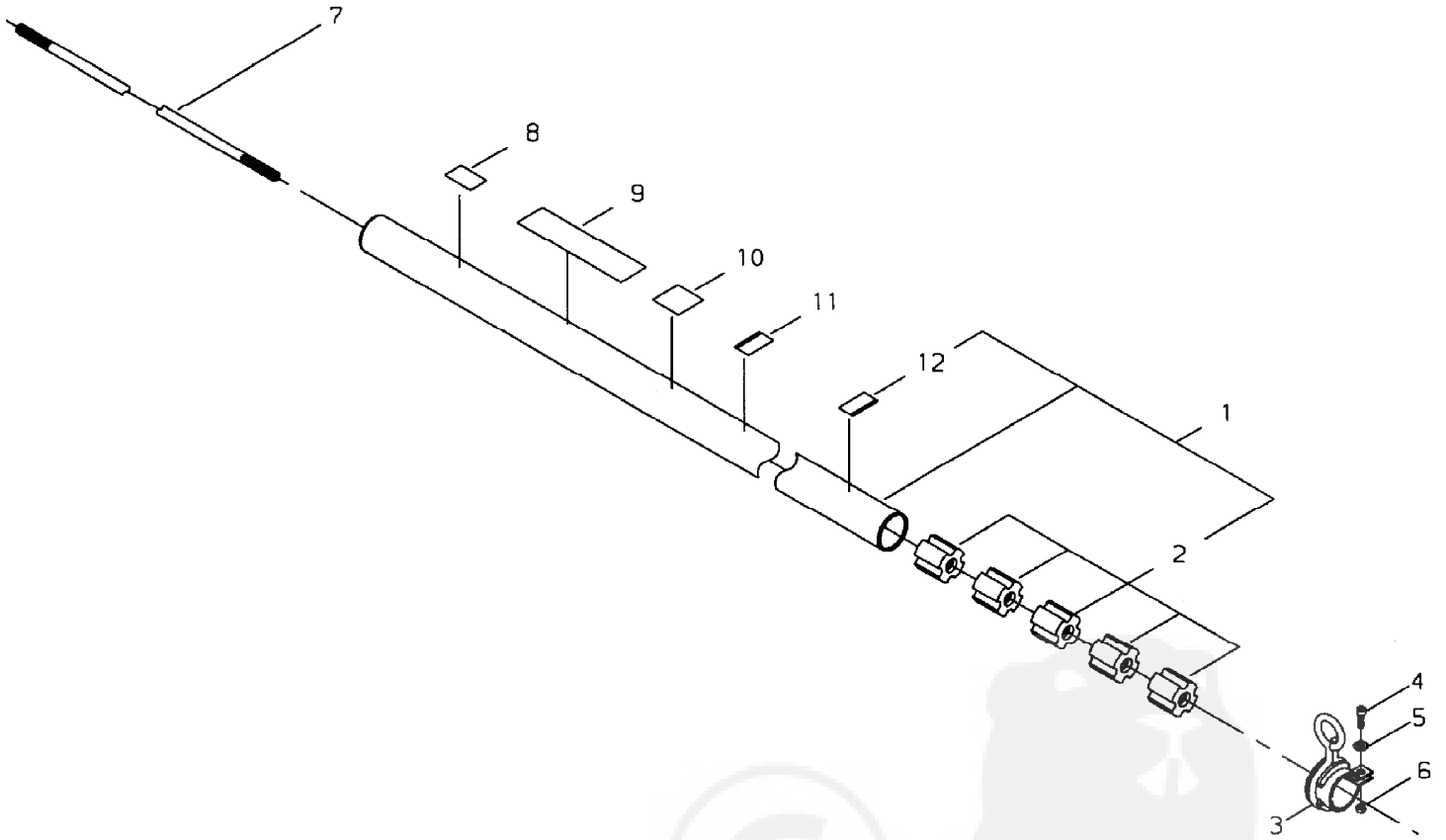
Ref. No	Part No.	Part Name	Q'ty
7- 1	70200-85110	FUEL TANK	1
2	70168-85201	FUEL CAP ASSEMBLY	1
3	70168-85210	*FUEL CAP	1
8	20000-85221	*GASKET	1
10	70200-85310	FUEL PIPE	1
11	72935-85330	JOINT	1
12	20020-85540	CLIP	5
13	70200-85350	GROMMET	1
14	70200-85320	FUEL PIPE	1
15	22169-35400	FUEL FILTER SUB ASSEMBLY	1

Ref. No	Part No.	Part Name	Q'ty
16	20000-85500	BREATHER SUB ASSEMBLY	1
17	20000-85511	*CAP BREATHER	1
18	20000-85521	*HOLDER VALVE	1
19	22100-85240	*RETAINER FUEL	1
20	22100-85250	*WASHER FUEL	1
21	22100-85260	*VALVE FUEL	1
22	20000-85579	GROMMET BREATHER	1
23	20021-86110	BRACKETS	1
24	20011-86120	BRACKET M	1
25	20010-86130	CUSHION	4
26	20010-86140	BAND	2

* Denotes item is part of an assembly ** Denotes item is part of a sub-assembly

OUTER PIPE

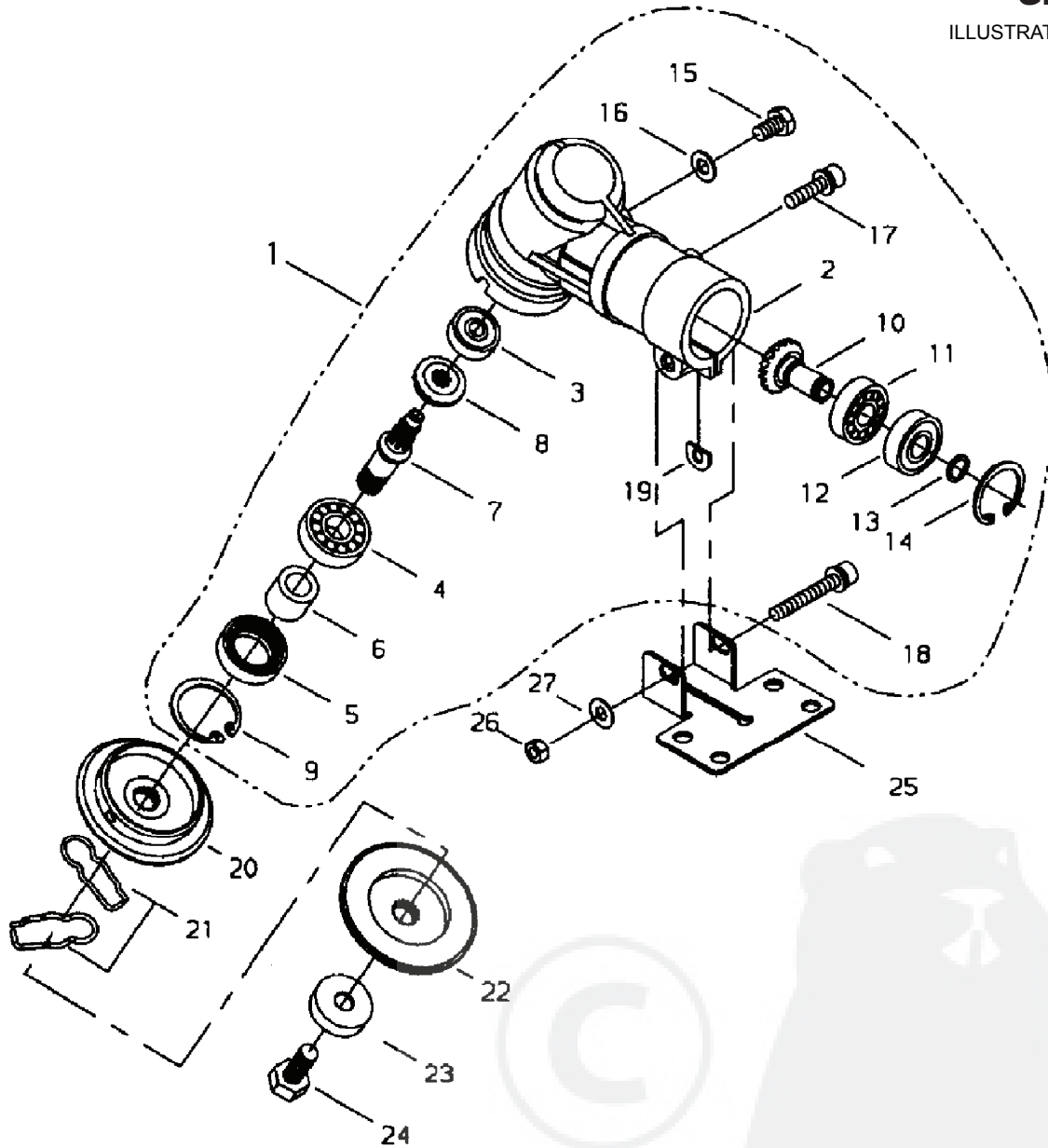
ILLUSTRATION 8 - REV 6/05



Ref. No	Part No.	Part Name	Q'ty
8-1	72540-12102	OUTER PIPE SUB ASSEMBLY	1
2	22015-12120	*BUSHING	5
12	72005-12140	*CAUTION PLATE	1
3	22017-12210	HANGER	1
4	01020-05120	BOLT	1
5	01600-05131	SPRING WASHER	1
6	01500-05041	NUT	1
7	72540-12410	MAINSHAFT	1
8	19402-00223	LABEL CAUTION	1
9	19422-00010	LABEL CAUTION	1
10	19404-00040	LABEL DECIBEL	1
11	72017-12150	HANDLE LABEL	1

GEAR CASE

ILLUSTRATION 9 - REV 6/05



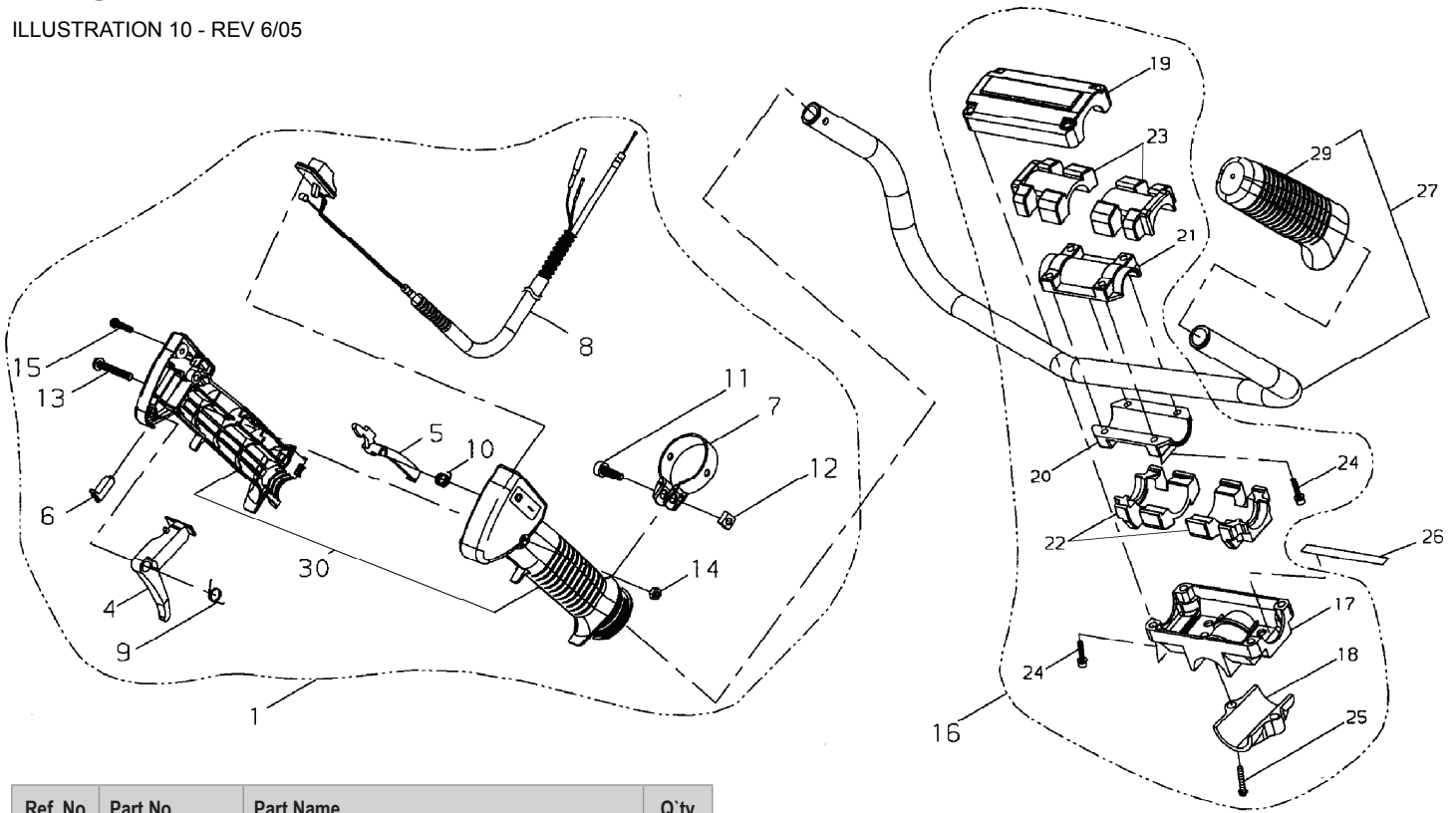
Ref. No	Part No.	Part Name	Q'ty
9- 1	63020-63020	GEAR CASE SUB ASSEMBLY	1
2	63020-63110	*GEAR CASE	1
3	02006-06000	*BEARING	1
4	02000-06202	*BEARING	1
5	72447-13121	*OIL SEAL	1
6	22015-13230	*COLLAR	1
7	63019-63130	*GEAR SHAFT	1
8	22015-13220	*BEVEL GEAR	1
9	02432-35150	*SNAP RING	1
10	22021-13390	*PINION SET	1
11	02000-06001	*BEARING	1
12	02002-06001	*BEARING	1
13	20000-31140	*SNAP RING	1

Ref. No	Part No.	Part Name	Q'ty
14	02432-28120	*SNAP RING	1
15	22015-13410	*BOLT	1
16	22015-13420	*GASKET	1
17	11022-06140	*BOLT SPW	1
18	11022-06400	*BOLT SPW	1
19	22011-13450	*SHIM	1
20	72447-13240	HOLDER A	1
21	22015-13290	SLIDE PIN	2
22	63020-63171	HOLDER	1
23	22015-13270	BOLT GUARD	1
24	63019-63310	BOLT	1
25	72017-16130	LOWER CLAMP	1
26	01500-06051	NUT	1
27	01613-06100	WASHER	1

* Denotes item is part of an assembly ** Denotes item is part of a sub-assembly

THROTTLE LEVER

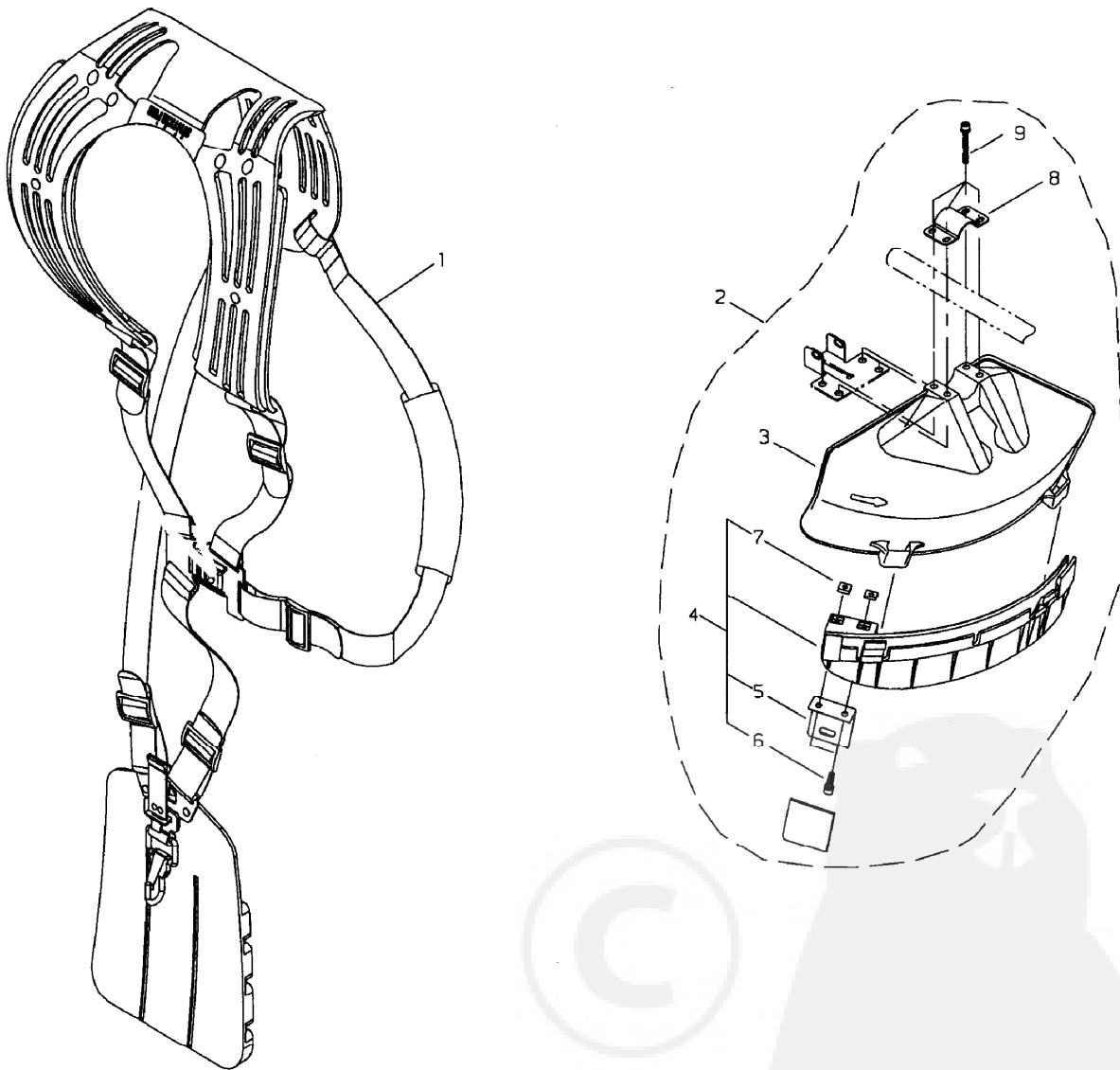
ILLUSTRATION 10 - REV 6/05



Ref. No	Part No.	Part Name	Q'ty
10- 1	72451-14502	THROTTLE LEVER ASSEMBLY	1
30	72451-14600	*BODY SUB ASSEMBLY	1
4	72451-14530	*LEVER	1
5	72451-14540	*LOCK LEVER	1
6	72451-14550	*BUTTON	1
7	72451-14560	*CLAMP	1
8	72451-14570	*THROTTLE CABLE COMP	1
9	72451-14580	*RETURN SPRING	1
10	72451-14590	*SPRING	1
11	01020-06200	*BOLT	1
12	72451-14610	*NUT	1
13	11203-05351	*SCREW PM	1
14	72451-14630	*NUT	1
15	72451-14620	*SCREW TAPPING	1
16	72555-14100	BRACKET COMP	1
17	72555-14110	*HANDLE BRACKET	1
18	72555-14120	*LOWER CAP	1
19	72555-14130	*UPPER CAP	1
20	22015-14140	*LOWER CLAMP	1
21	22015-14150	*UPPER CLAMP	1
22	22015-14160	*LOWER CUSHION	2
23	22015-14170	*UPPER CUSHION	2
24	11022-05250	*BOLT SPW	8
25	11210-06250	*SCREW BUTTON	2
26	72514-14190	EARTH CORD	1
27	72540-14201	HANDLE SUB ASSEMBLY	1
29	72451-14320	*GRIP	1

HARNESS

ILLUSTRATION 11 - REV 6/05

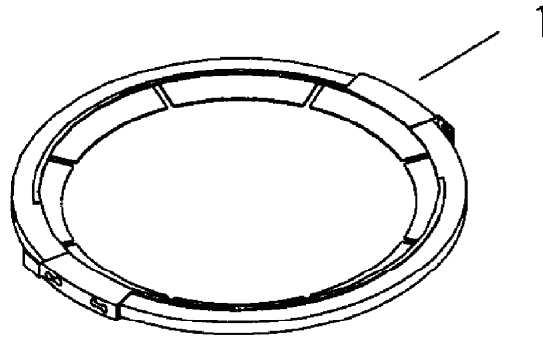


Ref. No	Part No.	Part Name	Q'ty
11- 1	72451-17203	HARNESS ASSEMBLY	1
2	64008-66310	GUARD SET	1
3	62903-66110	*GUARD	1
4	62903-66331	*SUB GUARD ASSEMBLY	1
5	72480-16121	**CUTTER	1
6	11020-05160	**BOLT SW	2
7	22420-16120	**NUT	2
8	72480-16210	*UPPER CLAMP	1
9	11022-05450	*BOLT SPW	4

* Denotes item is part of an assembly ** Denotes item is part of a sub-assembly

BLADE COVER

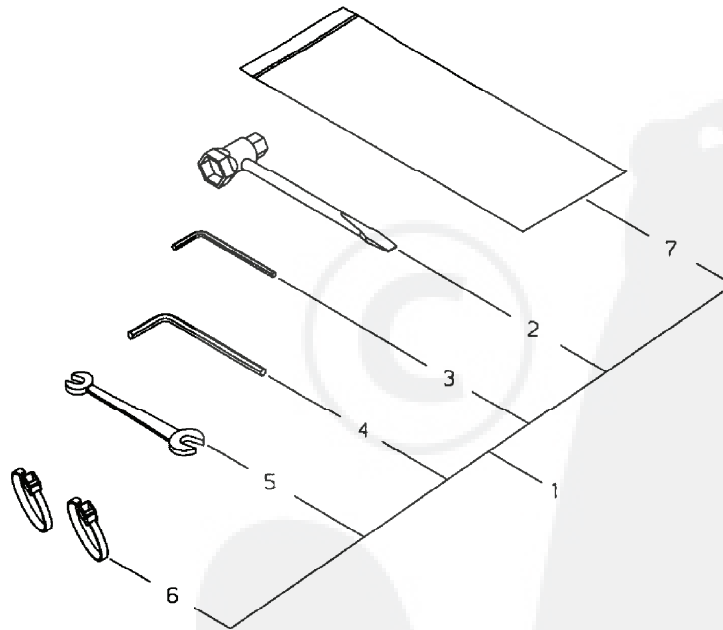
ILLUSTRATION 13- REV 6/05



Ref. No	Part No.	Part Name	Q'ty
13- 1	22550-92310	BLADE COVER	1

TOOL SET

ILLUSTRATION 12 - REV 6/05



Ref. No	Part No.	Part Name	Q'ty
12- 1	72528-91001	TOOL SET	1
2	22000-91181	*PLUG WRENCH	1
3	09026-04001	*HEXAWRENCH5MM	1
4	09026-05001	*HEXAWRENCH6MM	1
5	22000-91120	*SPANNER	1
6	72431-12190	*BAND	2
7	19639-01400	*TOOL BAG	1



shindaiwa

www.shindaiwa.com

11975 SW Herman Road, Tualatin, Oregon 97062, U.S.A.

1 + 503.692.3070 • fax 1 + 503.692.6696 •

Item #xxxx Effective 06/05