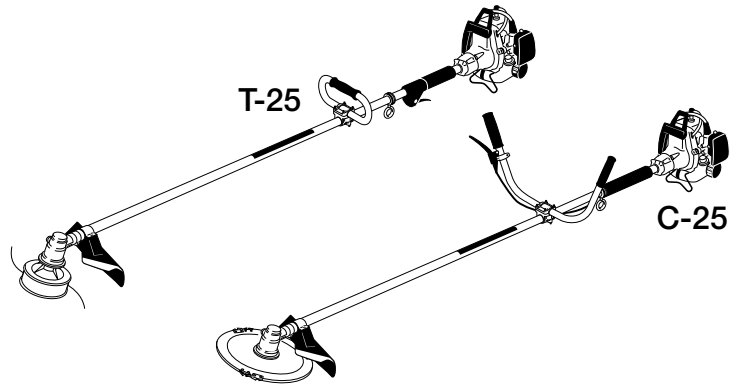
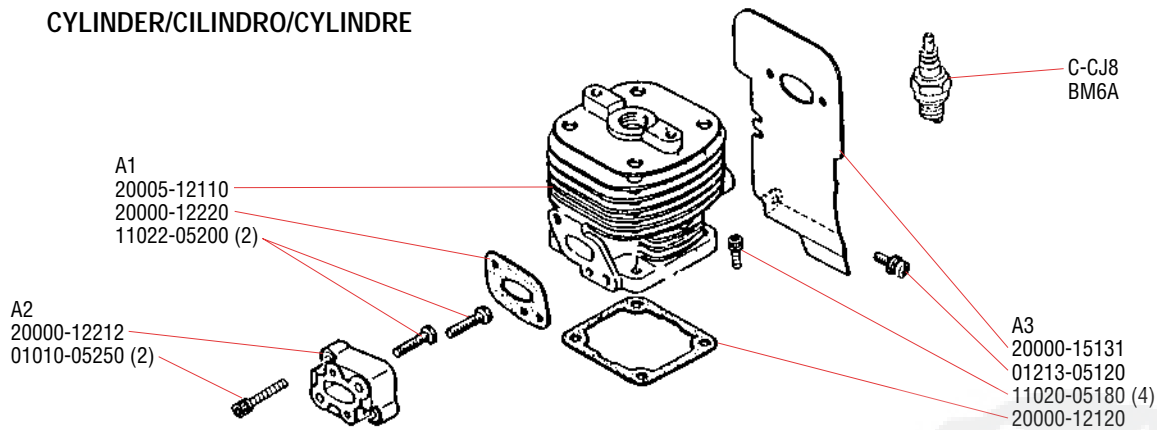


SHINDAIWA T-25/C-25

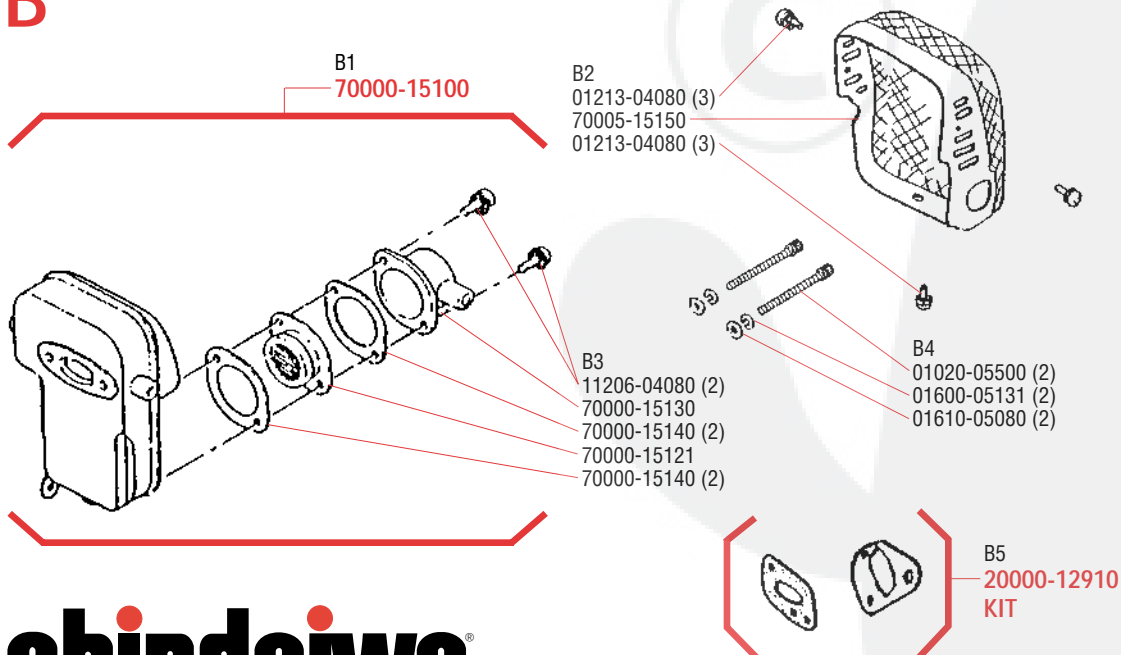
ILLUSTRATED PARTS LIST
 PIEZAS DE REPUESTO
 LE RÉPERTOIRE DES
 PIÈCES ILLUSTRÉES



A CYLINDER/CILINDRO/CYLINDRE

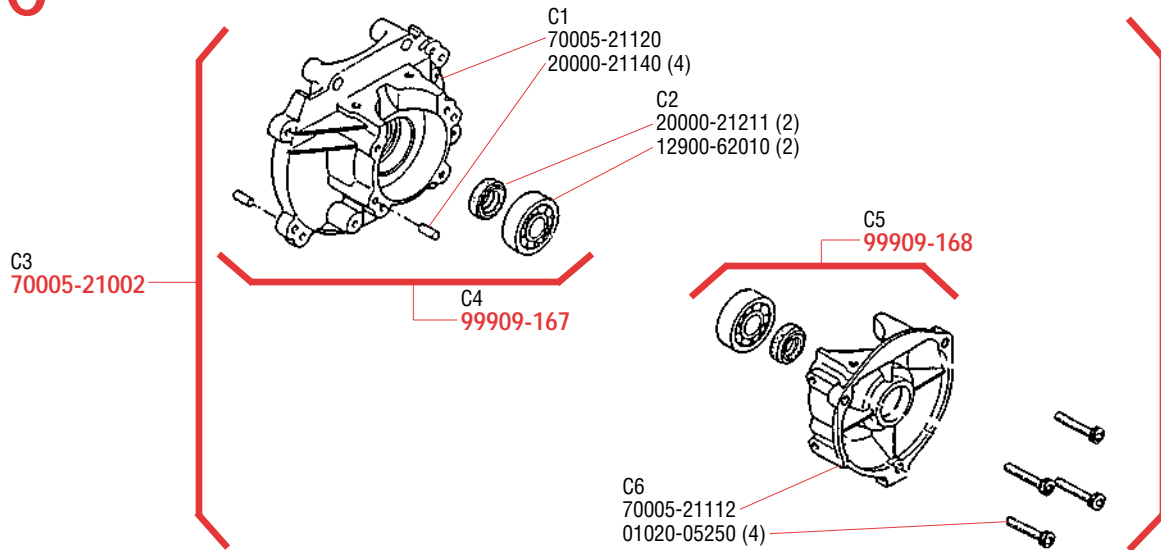


B MUFFLER/SILENCIADOR/SILENCIEUX

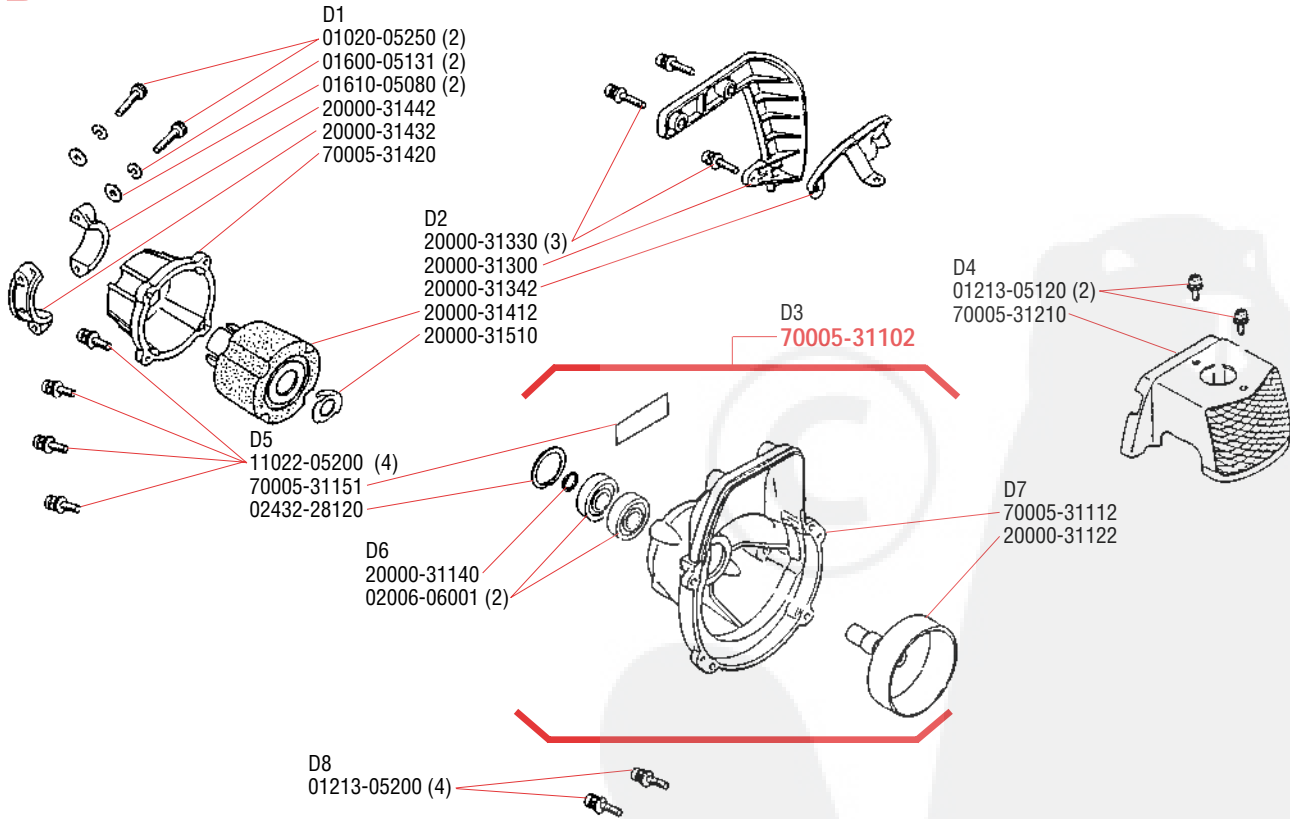


shindaiwa

C CRANKCASE/TAPA/CARTER DE MANIVELLE



D FAN COVER/TAPA/CAGE DU VENTILATEUR



Legend — Leyenda — Legend

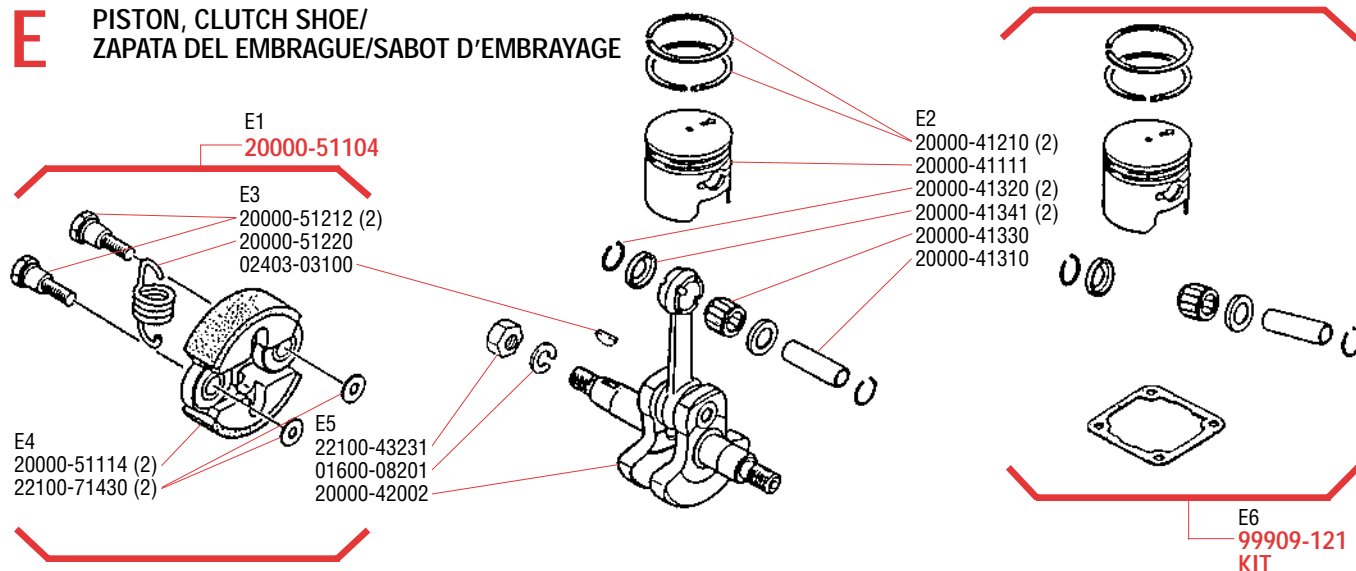
- — PR 103
- ▼ — PR 105
- ◆ — PR 71
- ▲ — Single lever
- — Double lever
- ✕ — Option
- ★ — PR 61
- ⊗ — PR 88
- * — For new T-25 above S/N 197328
- ⊗ — For T/C-25, double lever
- * — For T/C-25, single lever, 1985 production



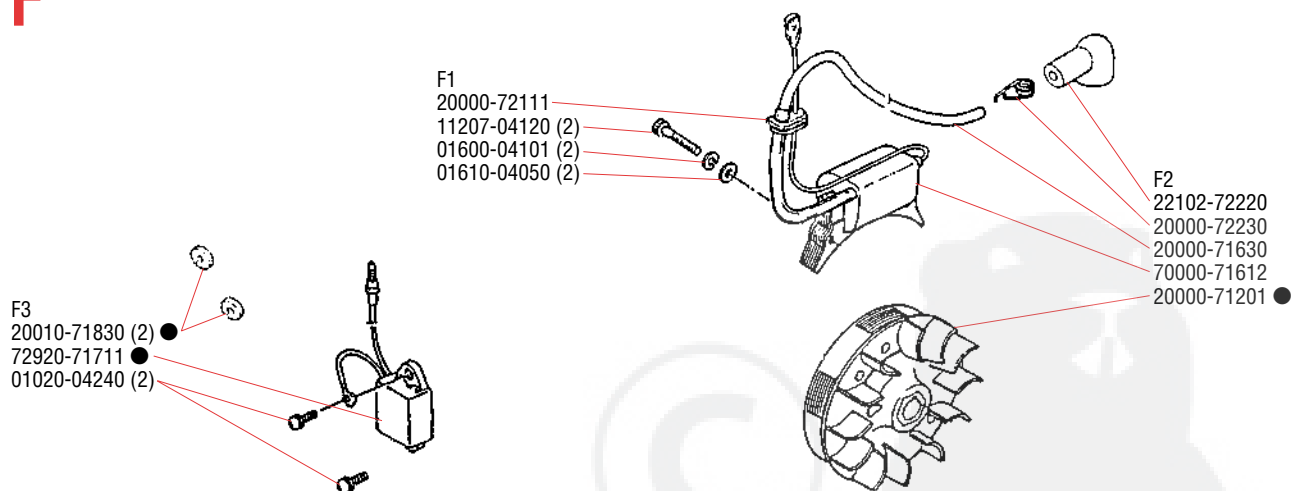
Shindaiwa Inc.

P.O. Box 1090, Tualatin, OR 97062
 11975 S.W. Herman Rd., Tualatin, OR 97062

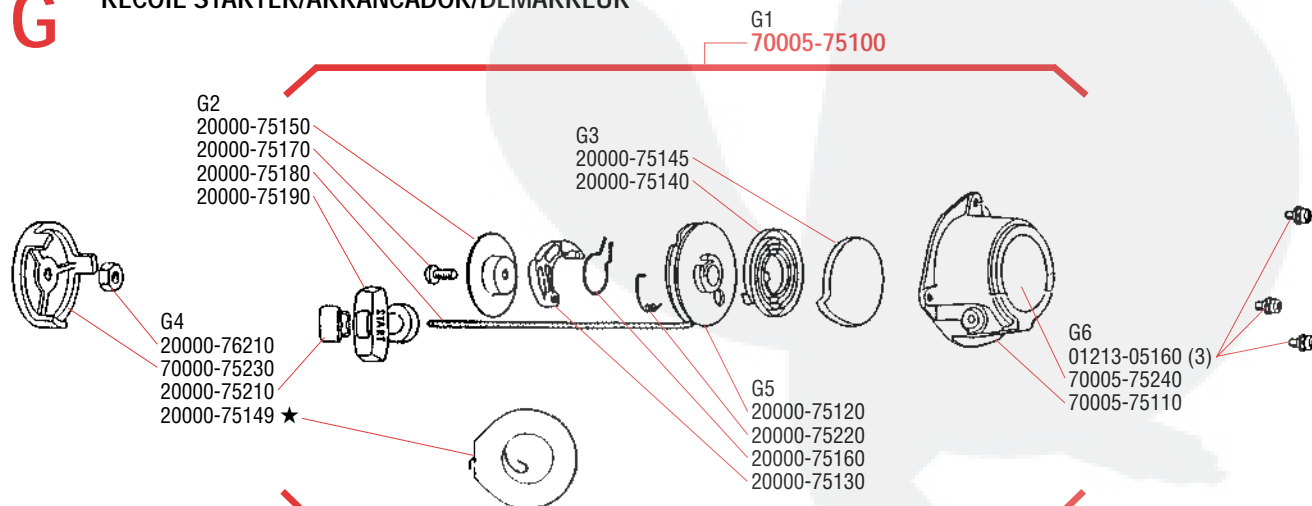
E PISTON, CLUTCH SHOE/
ZAPATA DEL EMBRAGUE/SABOT D'EMBRAYAGE



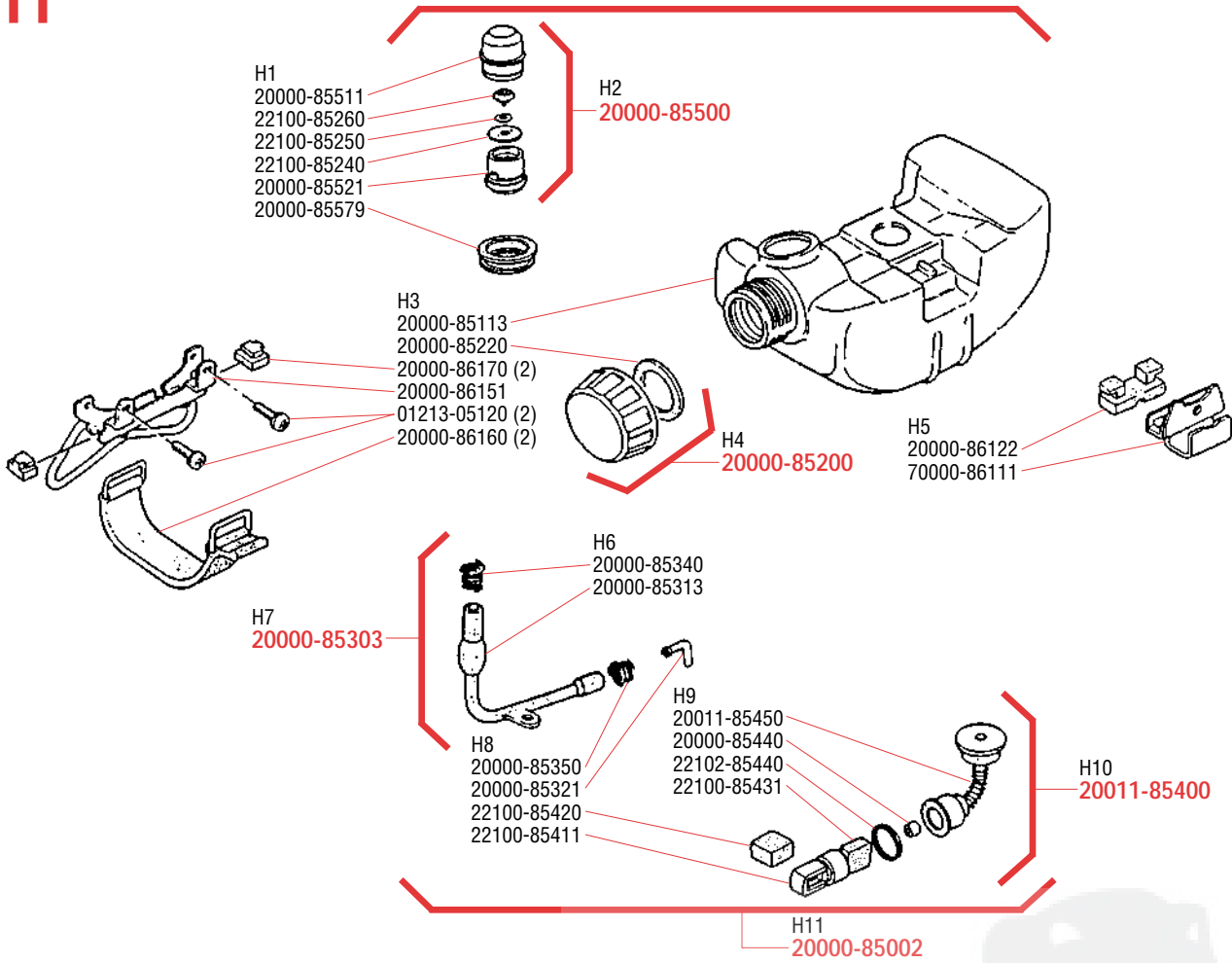
F FLYWHEEL/VOLANTE/ROTOR



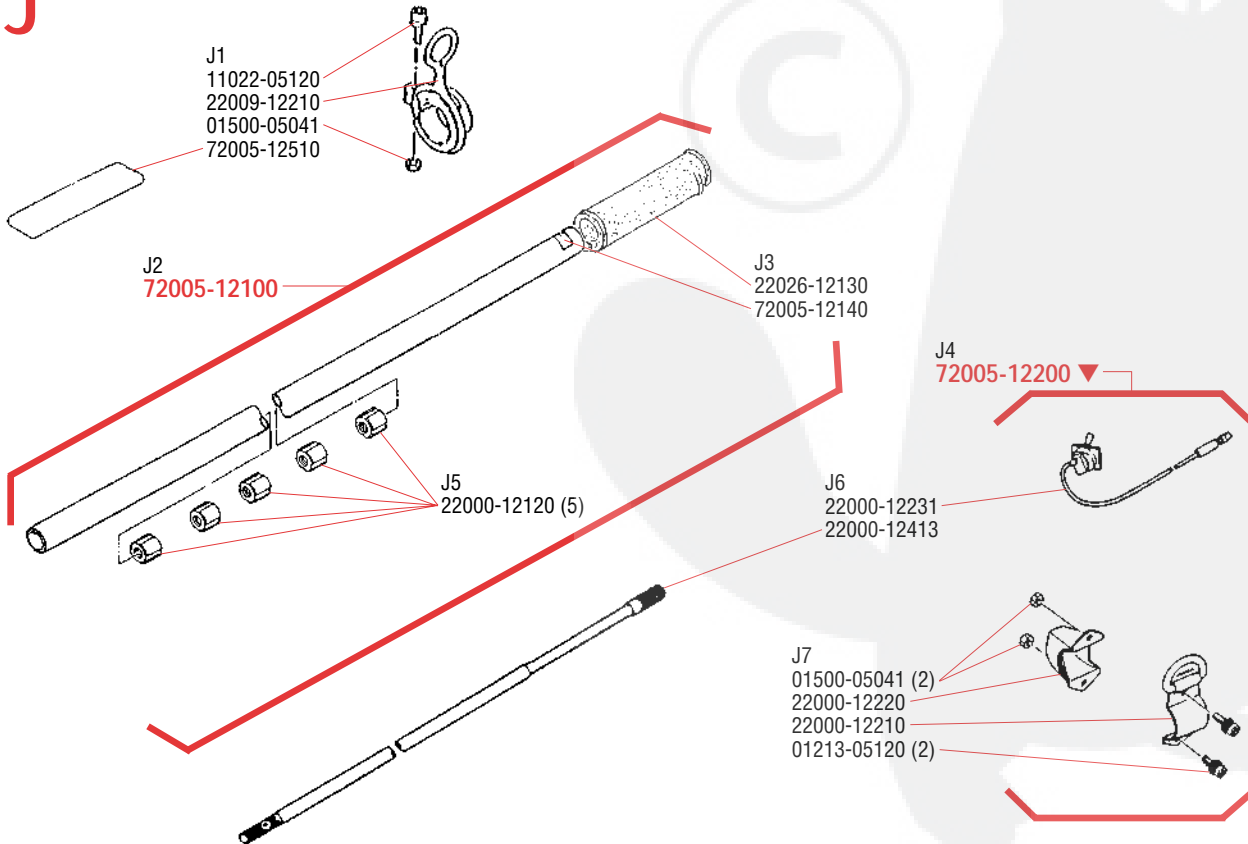
G RECOIL STARTER/ARRANCADOR/DÉMARREUR



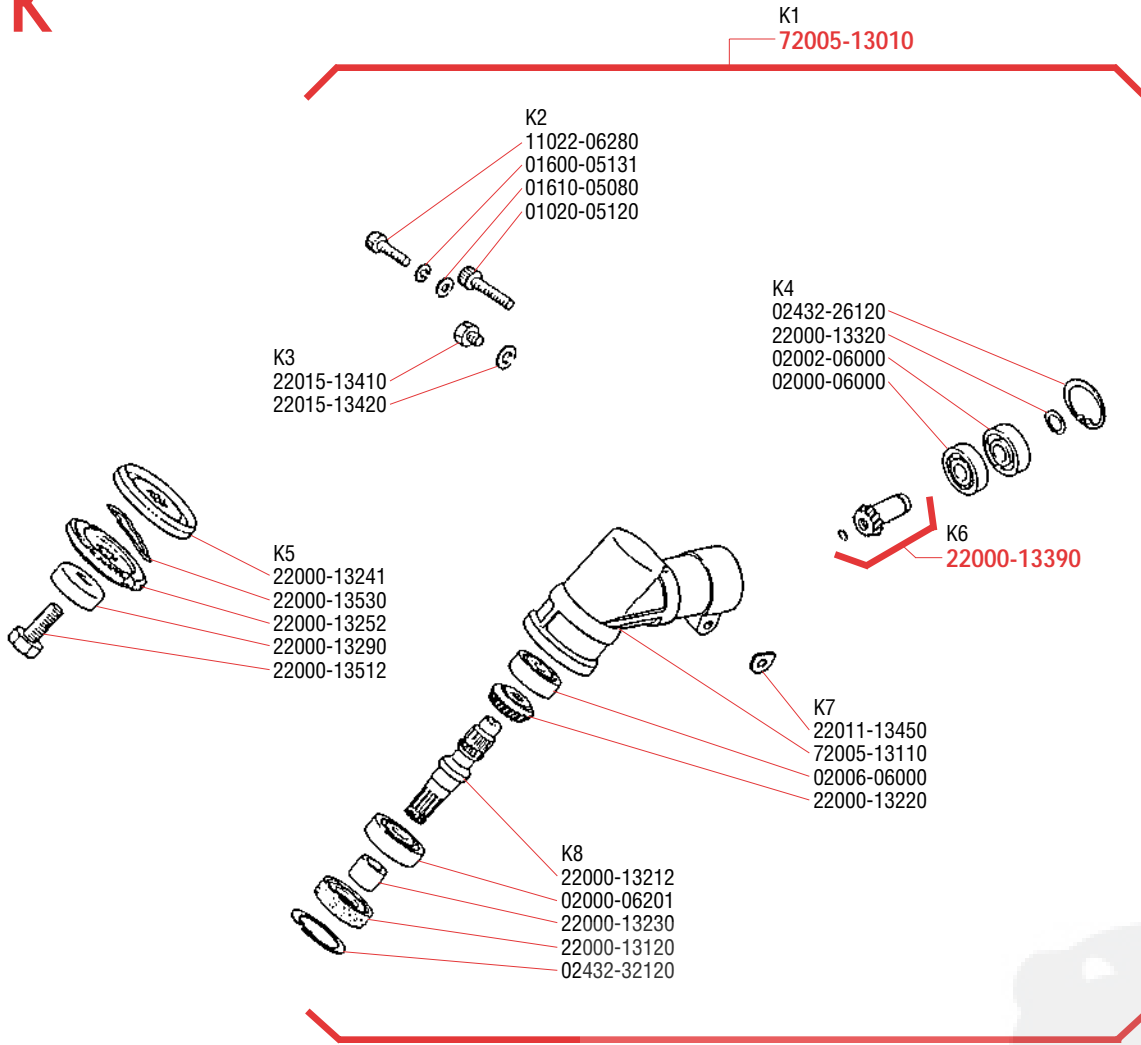
H FUEL TANK/TANQUE DE COMBUSTIBLE/RÉSERVOIR À ESSENCE



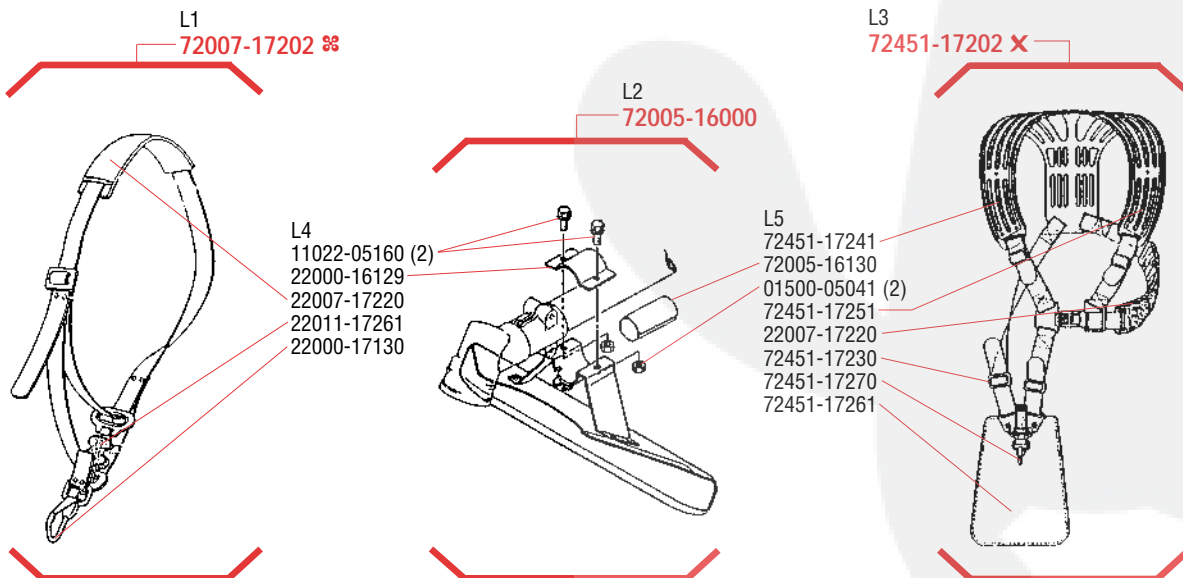
J OUTER TUBE/TUBO/TUBE EXTÉRIEUR



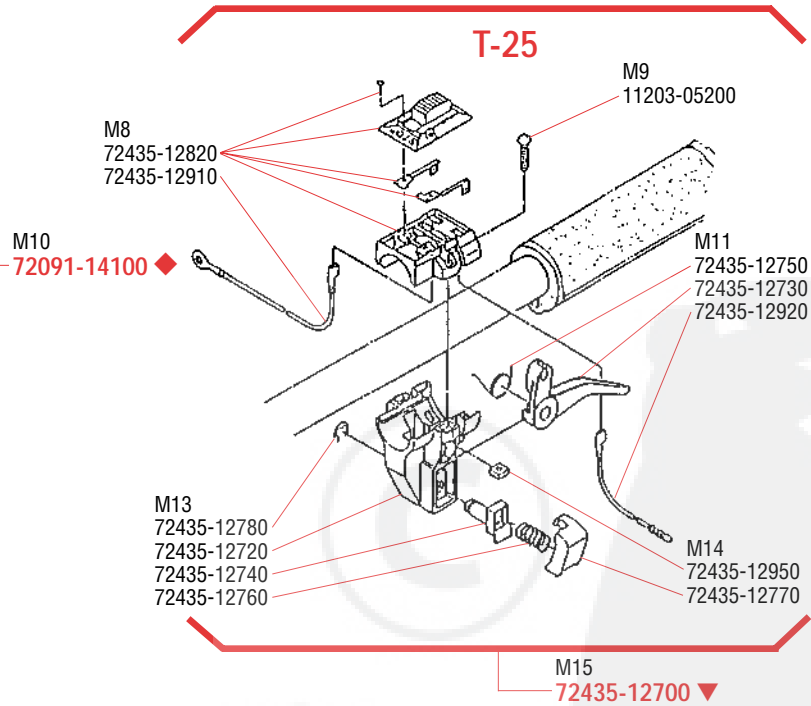
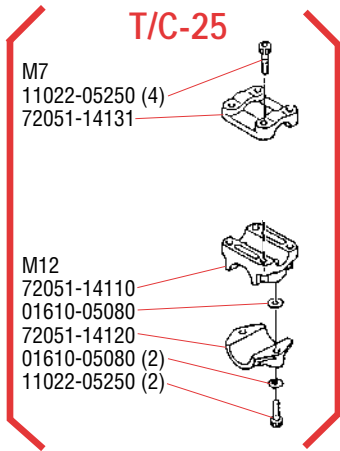
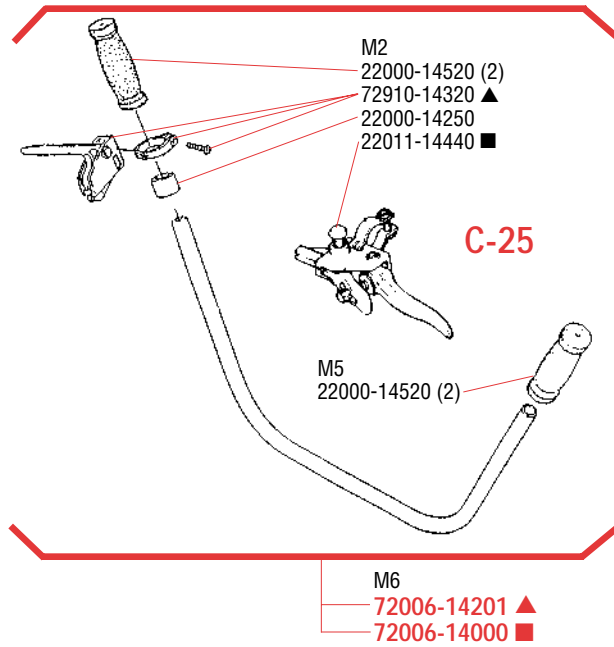
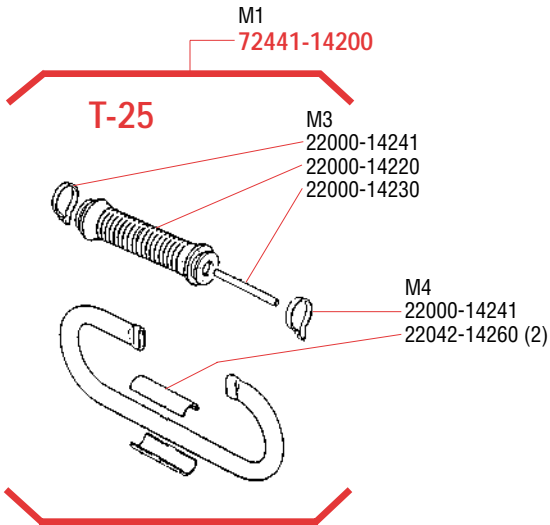
K GEARCASE/CAJA DE ENGRANAJES/BOÎTIER D'ENGRENAGE



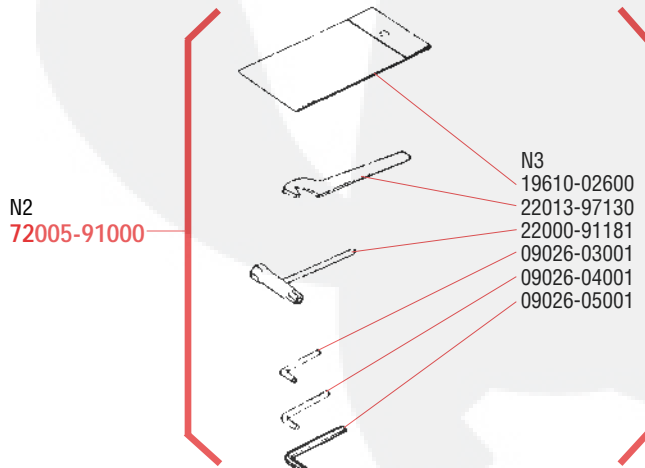
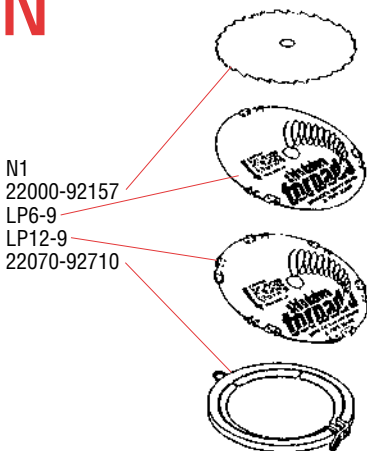
L GUARD/PROTECTOR/PROTECTEUR HARNES/ARNES/HARNAIS



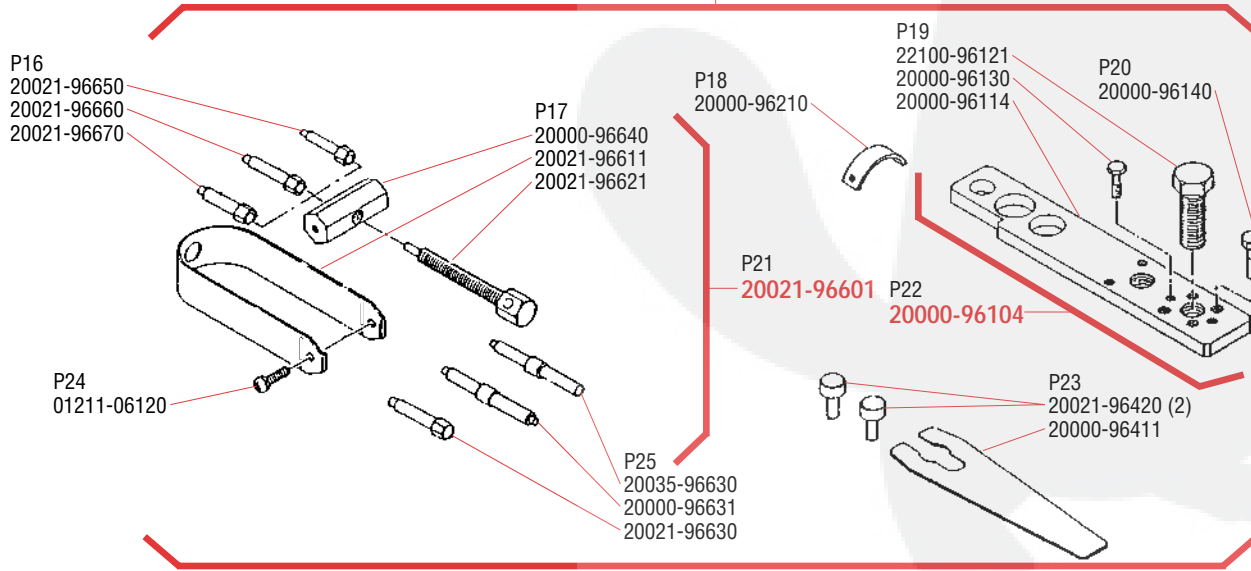
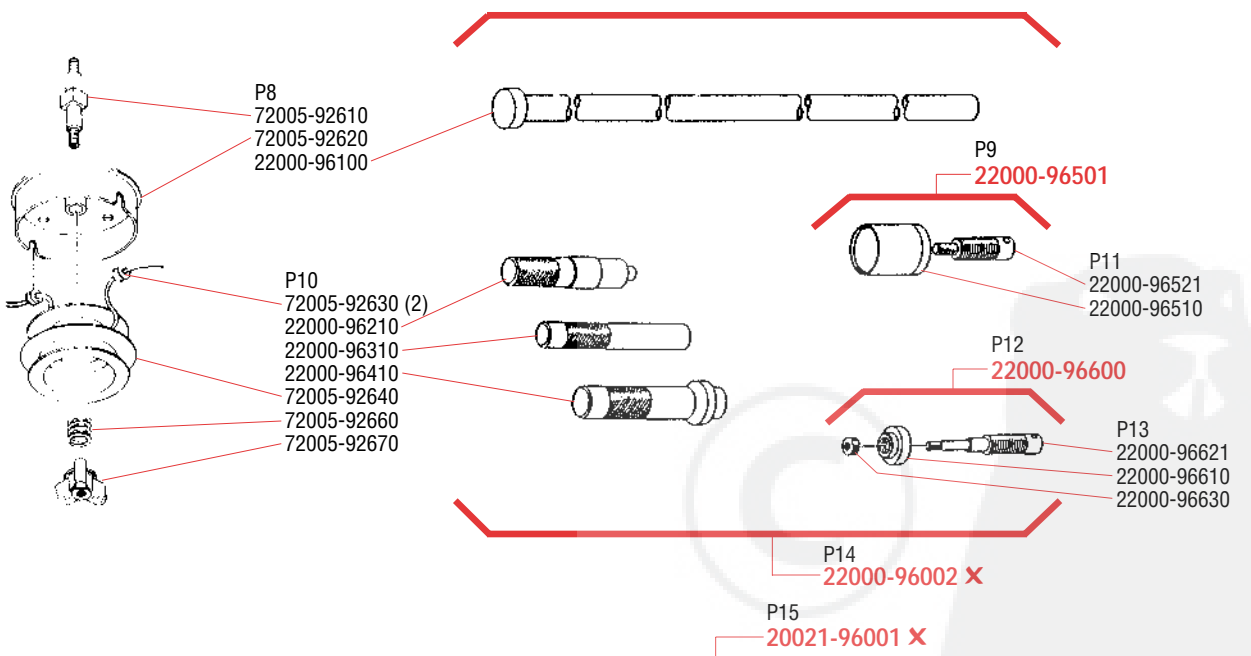
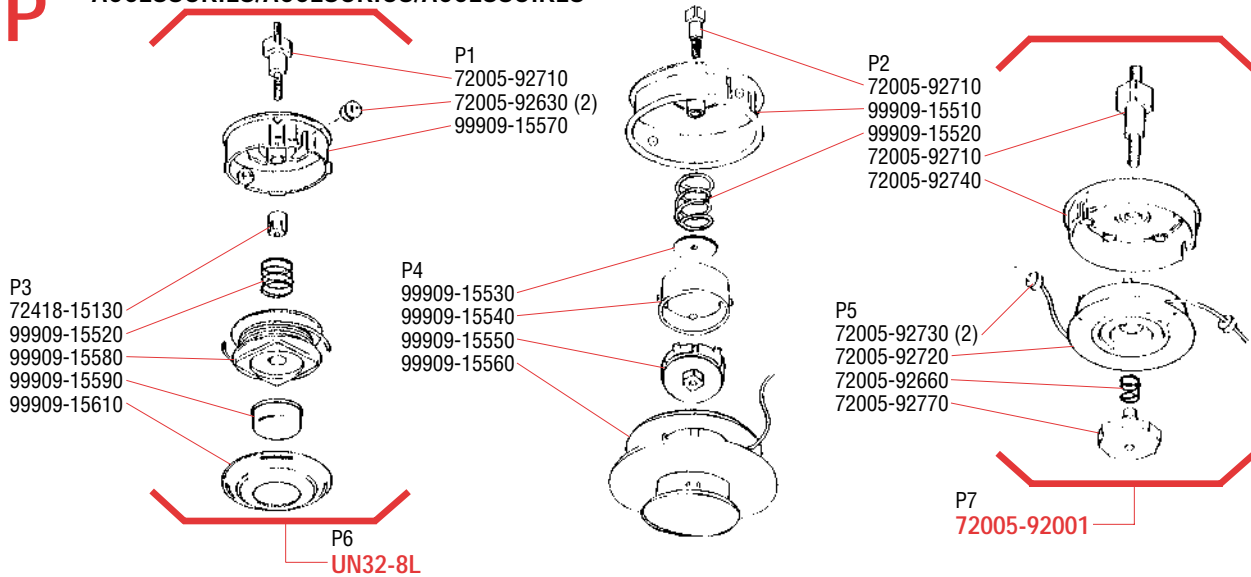
M HANDLE/MANGO/POIGNÉE



N ACCESSORIES/ACCESORIOS/ACCESSOIRES



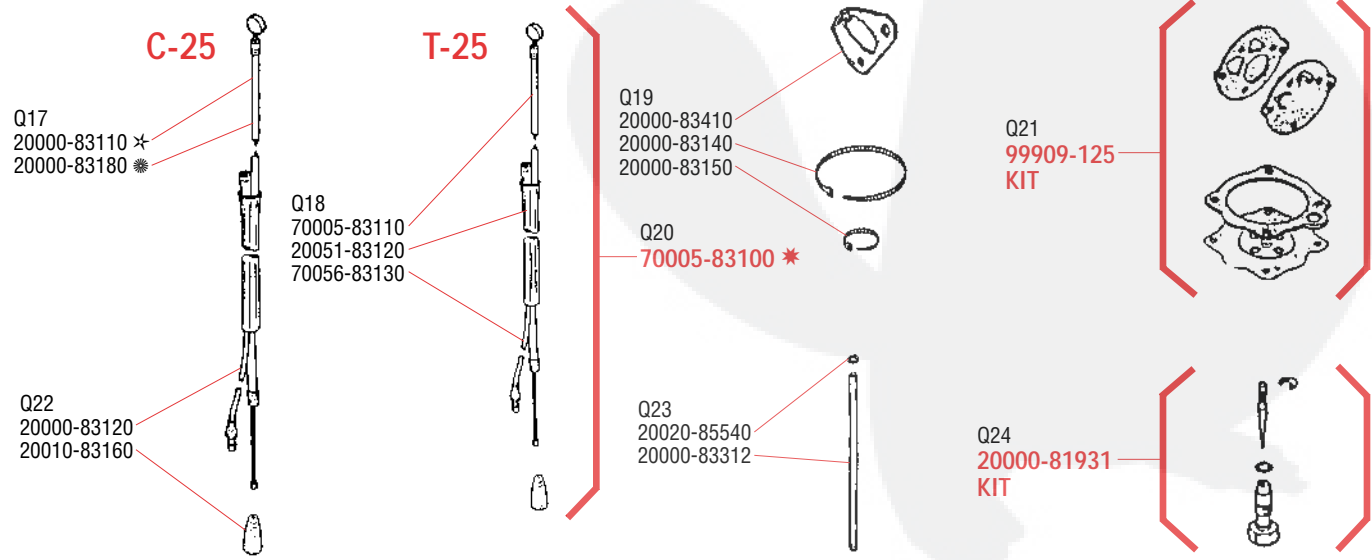
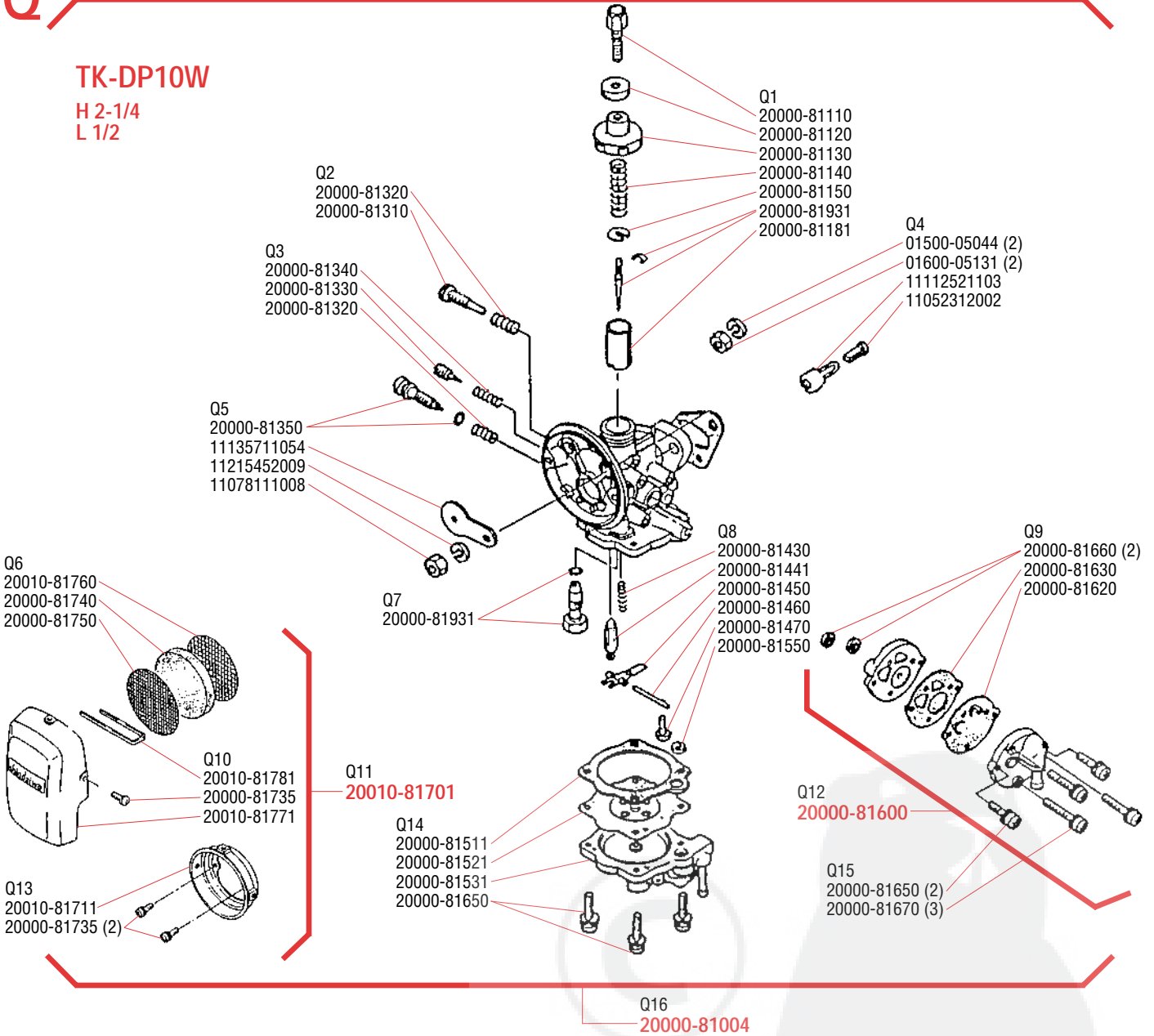
P ACCESSORIES/ACCESORIOS/ACCESSOIRES



Q CARBURETOR/CARBURADOR/CARBURATEUR

TK-DP10W

H 2-1/4
L 1/2



Numerical Parts Listing

Part No.	Description	Index	Part No.	Description	Index	Part No.	Description	Index
01010-05250	BOLT	A2	20000-21140	DOWEL PIN	C1	20000-81630	GASKET	Q9
01020-04240	BOLT	F3	20000-21211	OIL SEAL	C2	20000-81650	SCREW	Q14
01020-05120	BOLT	K2	"	"	C2	"	"	Q15
01020-05250	BOLT	C6	20000-31122	CLUTCH DRUM	D7	20000-81660	GASKET	Q9
"	"	D1	20000-31140	SNAP RING	D6	20000-81670	SCREW	Q15
01020-05500	BOLT	B4	20000-31300	PROTECTOR	D2	20000-81735	SCREW	Q13
01211-06120	SCREW	P24	20000-31330	BOLT	D2	"	"	Q10
01213-04080	SCREW	B2	20000-31342	PROTECTOR	D2	20000-81740	FILTER	Q6
"	"	B2	20000-31412	JOINT	D2	20000-81750	NET A	Q6
01213-05120	BOLT	D4	20000-31432	CLAMP A	D1	20000-81931	NEEDLE, JET KIT	Q1
01213-05120	SCREW	H3	20000-31442	CLAMP B	D1	"	"	Q7
01213-05120	BOLT	J7	20000-31510	GROUND SPRING	D2	"	"	Q24
"	"	A3	20000-41111	PISTON	E2	20000-83110	THROTTLE CABLE	Q17
01213-05160	SCREW	G6	20000-41210	PISTON RING	E2	20000-83120	GROUND WIRE	Q22
01213-05200	BOLT	D8	20000-41310	PISTON PIN	E2	20000-83140	CLAMP	Q19
01500-05041	NUT	J1	20000-41320	SNAP RING	E2	20000-83150	CLAMP	Q19
"	"	L5	"	"	E2	20000-83180	TUBE	Q17
"	"	J7	20000-41330	NEEDLE BEARING	E2	20000-83312	TUBE	Q23
01500-05044	SPRING WASHER	Q4	20000-41341	THRUST WASHER	E2	20000-83410	GASKET	Q19
01600-04101	SPRING WASHER	F1	"	"	E2	20000-85002	FUEL TANK ASSY.	H11
01600-05131	NUT	Q4	20000-42002	CRANKSHAFT ASSY.	E5	20000-85113	FUEL TANK	H3
01600-05131	SPRING WASHER	D1	20000-51104	CLUTCH SHOE ASSY.	E1	20000-85200	FUEL CAP ASSY.	H4
"	"	K2	20000-51114	CLUTCH SHOE	E4	20000-85220	GASKET	H3
"	"	B4	20000-51212	CLUTCH BOLT	E3	20000-85303	FUEL TUBE ASSY.	H7
01600-08201	SPRING WASHER	E5	20000-51220	CLUTCH SPRING	E3	20000-85313	FUEL TUBE	H6
01610-04050	WASHER	F1	20000-71201	FLYWHEEL	F2	20000-85321	JOINT	H8
01610-05080	WASHER	M12	20000-71630	VINYL TUBE	F2	20000-85340	SPRING	H6
"	"	D1	20000-72111	GROMMET	F1	20000-85350	SPRING	H8
"	"	B4	20000-72230	SPRING	F2	20000-85440	VALVE	H9
"	"	K2	20000-75120	REEL	G5	20000-85500	BREATHING ASSY.	H2
"	"	M12	20000-75130	RATCHET	G5	20000-85511	CAP	H1
02000-06000	BEARING	K4	20000-75140	SPRING	G3	20000-85521	HOLDER	H1
02000-06201	BEARING	K8	20000-75145	SPRING CASE	G3	20000-85579	GROMMET	H1
02002-06000	BEARING	K4	20000-75149	SPRING ASSY.	G4	20000-86122	CUSHION A	H5
02006-06000	BEARING	K7	20000-75150	FRICTION PLATE	G2	20000-86151	STAND	H3
02006-06001	BEARING	D6	20000-75160	FRICTION SPRING	G5	20000-86160	BAND	H3
02403-03100	KEY	E3	20000-75170	SCREW	G2	20000-86170	CUSHION B	H3
02432-26120	SNAP RING	K4	20000-75180	ROPE	G2	20000-96104	PULLER ASSY.	P22
02432-28120	SNAP RING	D5	20000-75190	KNOB	G2	20000-96114	LEVER	P19
02432-32120	SNAP RING	K8	20000-75210	CAP, KNOB	G4	20000-96130	BOLT	P19
09026-03001	WRENCH (3)	N3	20000-75220	RETURN SPRING	G5	20000-96140	BOLT	P20
09026-04001	WRENCH (4)	N3	20000-76210	NUT	G4	20000-96210	AIR GAP GAUGE	P18
09026-05001	WRENCH (5)	N3	20000-81004	CARBURETOR ASSY.	Q16	20000-96411	FLYWHEEL SPANNER	P23
11020-05180	BOLT	A3	20000-81110	CABLE ADJUSTER	Q1	20000-96631	GUIDE PIN	P25
11022-05120	BOLT	J1	20000-81120	LOCK NUT	Q1	20000-96640	BOSS	P17
11022-05160	BOLT	L4	20000-81130	BODY CAP	Q1	20005-12110	CYLINDER	A1
11022-05200	BOLT	A1	20000-81140	SPRING	Q1	20010-71830	INSULATOR	F3
"	"	D5	20000-81150	RETAINER	Q1	20010-81701	AIR FILTER ASSY.	Q11
11022-05250	BOLT	M12	20000-81181	THROTTLE VALVE	Q1	20010-81711	CLEANER BODY	Q13
"	"	M7	20000-81310	SLOW STOP SCREW	Q2	20010-81760	NET B	Q6
11022-06280	BOLT	K2	20000-81320	SPRING	Q2	20010-81771	CLEANER COVER	Q10
11052312002	RIVET	Q4	"	"	Q3	20010-81781	SPRING NET	Q10
11078111008	NUT	Q5	20000-81330	SLOW AIR SCREW	Q3	20010-83160	CABLE CAP	Q22
11112521103	LEVER	Q4	20000-81340	SPRING	Q3	20011-85400	FUEL FILTER ASSY.	H10
11135711054	CHOKE PLATE	Q5	20000-81350	MAIN ADJUST SCREW	Q5	20011-85450	SUCTION TUBE	H9
11203-05200	SCREW	M9	20000-81430	SPRING	Q8	20020-85540	CLIP	Q23
11206-04080	SCREW	B3	20000-81441	NEEDLE VALVE	Q8	20021-96001	OPTIONAL TOOL SET	P15
11207-04120	BOLT	F1	20000-81450	LEVER	Q8	20021-96420	STOPPER	P23
11215452009	SPRING WASHER	Q5	20000-81460	PIN	Q8	20021-96601	PULLER ASSY.	P21
12900-62010	BEARING	C2	20000-81470	SCREW	Q8	20021-96611	PULLER	P17
19610-02600	TOOL BAG	N3	20000-81511	GASKET	Q14	20021-96621	BOLT	P17
20000-12120	GASKET	A3	20000-81521	DIAPHRAGM	Q14	20021-96630	GUIDE PIN	P25
20000-12212	INSULATOR	A2	20000-81531	COVER	Q14	20021-96650	PIN ADAPTER	P16
20000-12220	GASKET	A1	20000-81550	SEAT	Q8	20021-96660	PIN ADAPTER	P16
20000-12910	GASKET KIT	B5	20000-81600	FUEL PUMP ASSY.	Q12	20021-96670	PIN ADAPTER	P16
20000-15131	GASKET	A3	20000-81620	DIAPHRAGM	Q9	20035-96630	GUIDE PIN	P25

Part No.	Description	Index
20051-83120	TUBE	Q18
22000-12120	BUSHING	J5
22000-12210	HANGER	J7
22000-12220	BRACKET	J7
22000-12231	SWITCH	J6
22000-12413	MAIN SHAFT	J6
22000-13120	OIL SEAL	K8
22000-13212	GEAR SHAFT	K8
22000-13220	BEVEL GEAR	K7
22000-13230	COLLAR	K8
22000-13241	HOLDER A	K5
22000-13252	HOLDER B	K5
22000-13290	BOLT GUARD	K5
22000-13320	SNAP RING	K4
22000-13390	PINION SET	K6
22000-13512	BOLT	K5
22000-13530	SLIDE PIN	K5
22000-14220	GRIP	M3
22000-14230	CORE, GRIP	M3
22000-14241	BAND	M3
"	"	M4
22000-14250	COLLAR	M2
22000-14520	GRIP	M5
"	"	M2
22000-16129	CLAMP	L4
22000-17130	HOOK	L4
22000-91181	WRENCH	N3
22000-92157	8" 30T BLADE	N1
22000-96002	OPTIONAL TOOL SET	P14
22000-96101	ROD BUSHING	P8
22000-96210	ROD (6000 DDU)	P10
22000-96310	ROD (6000 ZZ)	P10
22000-96410	ROD (6000 6201)	P10
22000-96501	PULLER ASSY.	P9
22000-96510	HOLDER	P11
22000-96521	BOLT	P11
22000-96600	PULLER ASSY.	P12
22000-96610	HOLDER	P13
22000-96621	BOLT	P13
22000-96630	NUT	P13
22007-17220	PROTECTOR	L5
22007-17220	PROTECTOR	L4
22009-12210	HANGER	J1
22011-13450	SHIM	K7
22011-14440	THROTTLE LEVER	M2
22011-17261	CUSHION	L4
22013-97130	SPANNER	N3
22015-13410	BOLT	K3
22015-13420	GASKET	K3
22026-12130	GRIP	J3
22042-14260	SPACER	M4
22070-92710	COVER	N1
22100-43231	NUT	E5
22100-71430	WASHER	E4
22100-85240	RETAINER	H1

Part No.	Description	Index
22100-85250	WASHER	H1
22100-85260	VALVE	H1
22100-85411	WEIGHT, FUEL	H8
22100-85420	FILTER A	H8
22100-85431	FILTER B	H9
22100-96121	BOLT	P19
22102-72220	PLUG CAP	F2
22102-85440	CLIP	H9
70000-15100	MUFFLER ASSY.	B1
70000-15121	ARRESTOR	B3
70000-15130	CAP	B3
70000-15140	GASKET	B3
"	"	B3
70000-71612	COIL	F2
70000-75230	STARTER PULLEY	G4
70000-86111	BRACKET	H5
70005-15150	GUARD, MUFFLER	B2
70005-21002	CRANKCASE ASSY.	C3
70005-21112	CRANKCASE S	C6
70005-21120	CRANKCASE M	C1
70005-31102	FAN COVER ASSY.	D3
70005-31112	FAN COVER	D7
70005-31151	NAME PLATE	D5
70005-31210	COVER	D4
70005-31420	CAP	D1
70005-75100	RECOIL STARTER ASSY.	G1
70005-75110	STARTER CASE	G6
70005-75240	NAME PLATE	G6
70005-83100	CABLE ASSY.	Q20
70005-83110	THROTTLE CABLE	Q18
70056-83130	GROUND WIRE	Q18
72005-12100	OUTER TUBE ASSY.	J2
72005-12140	CAUTION PLATE	J3
72005-12200	HANGER ASSY.	J4
72005-12510	NAME PLATE	J1
72005-13010	GEAR CASE ASSY.	K1
72005-13110	GEAR CASE	K7
72005-16000	GUARD ASSY.	L2
72005-16130	SPACER	L5
72005-91000	TOOL SET	N2
72005-92001	TRIMMER HEAD ASSY.	P7
72005-92610	SHAFT BOLT	P8
72005-92620	HOUSING	P8
72005-92630	EYELET	P1
"	"	P10
72005-92640	SPOOL	P10
72005-92660	SPRING	P5
"	"	P10
72005-92670	KNOB	P10
72005-92710	SHAFT BOLT	P1
"	"	P2
72005-92710	SHAFT BOLT	P2
72005-92720	SPOOL	P5

Part No.	Description	Index
72005-92730	EYELET	P5
72005-92740	HOUSING	P2
72005-92770	KNOB	P5
72006-14000	HANDLE ASSY.	M6
72006-14201	HANDLE ASSY.	M6
72007-17202	STRAP ASSY.	L1
72051-14110	BRACKET	M12
72051-14120	LOWER CAP	M12
72051-14131	UPPER CAP	M7
72091-14100	BRACKET ASSY.	M10
72418-15130	NUT	P3
72435-12700	THROTTLE ASSY.	M15
72435-12720	BODY	M13
72435-12730	LEVER	M11
72435-12740	SHAFT	M13
72435-12750	SPRING	M11
72435-12760	SPRING	M13
72435-12770	BUTTON	M14
72435-12780	SNAP RING	M13
72435-12820	SWITCH ASSY.	M8
72435-12910	WIRE (BLACK)	M8
72435-12920	WIRE (RED)	M11
72435-12950	NUT	M14
72441-14200	HANDLE ASSY.	M1
72451-17202	HARNES ASSY.	L3
72451-17230	BUCKLE	L5
72451-17241	RIGHT PAD	L5
72451-17251	LEFT PAD	L5
72451-17261	PAD	L5
72451-17270	HOOK	L5
72910-14320	THROTTLE ASSY.	M2
72920-71711	UNIT	F3
99909-121	PISTON ASSY.	E6
99909-125	GASKET, DIAPHRAGM KIT	Q21
99909-167	CRANKCASE M ASSY.	C4
99909-168	CRANKCASE S ASSY.	C5
99909-15510	HOUSING	P2
99909-15520	SPRING	P2
"	"	P3
99909-15530	WASHER	P4
99909-15540	OUTER DRIVE	P4
99909-15550	INNER CAM	P4
99909-15560	SPOOL	P4
99909-15570	HOUSING	P1
99909-15580	SPOOL	P3
99909-15590	BUTTON	P3
99909-15610	COVER	P3
LP12-9	9" TORNADO BLADE 12T	N1
LP6-9	9" TORNADO BLADE 6T	N1
UN32-8L	TRIMMER HEAD ASSY.	P6

shindaiwa®

Shindaiwa Inc.

P.O. Box 1090, Tualatin, OR 97062
11975 S.W. Herman Rd., Tualatin, OR 97062

60482-1 — March '94