

# shindaiwa

## PARTS PRICE LIST

RC 45



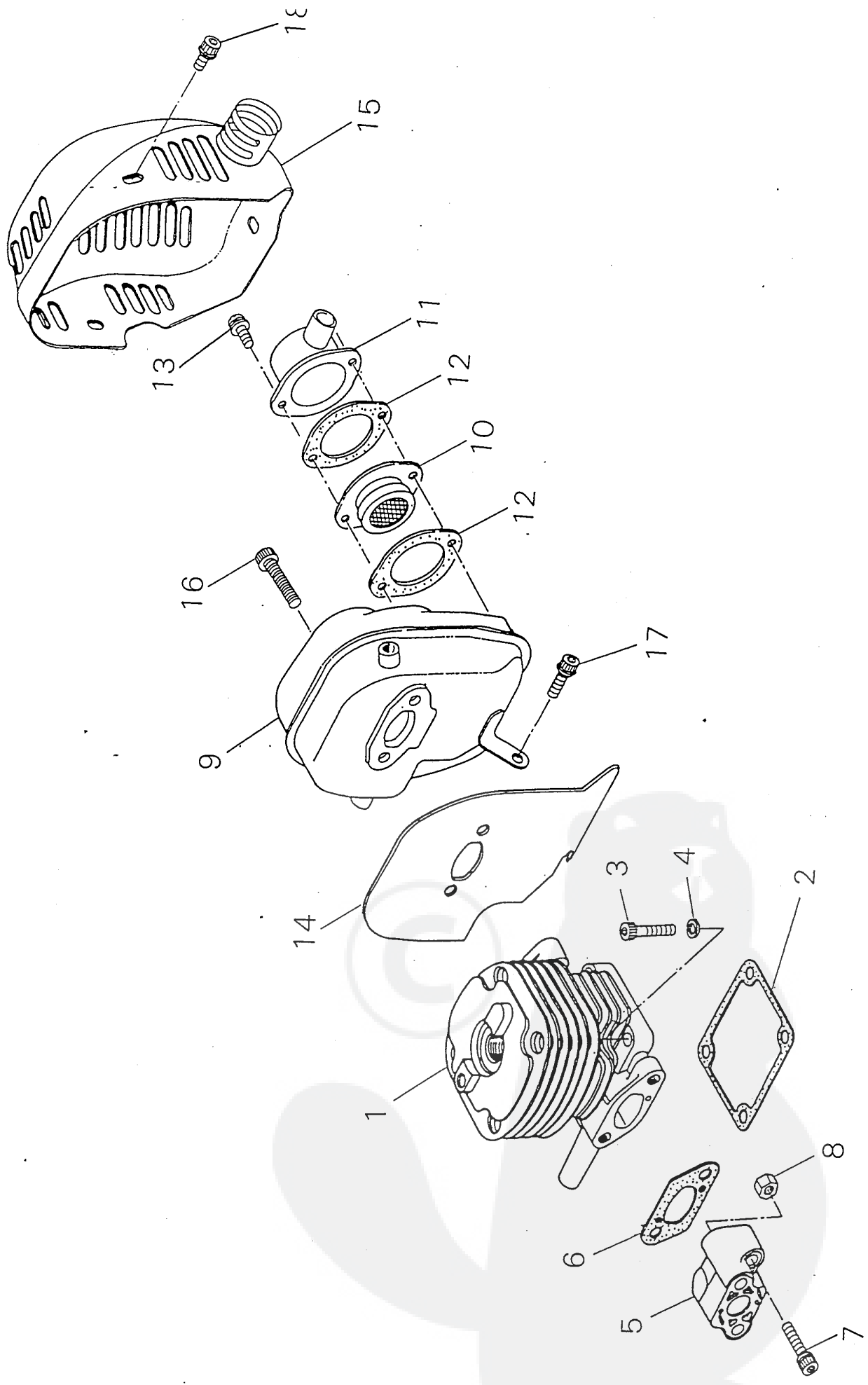
**SHIN-DAIWA KOGYO CO., LTD.**

35, Ooaza Shin-Ujigami, Chiyoda-cho Yamagata-gun, Hiroshima, 731-14 Japan

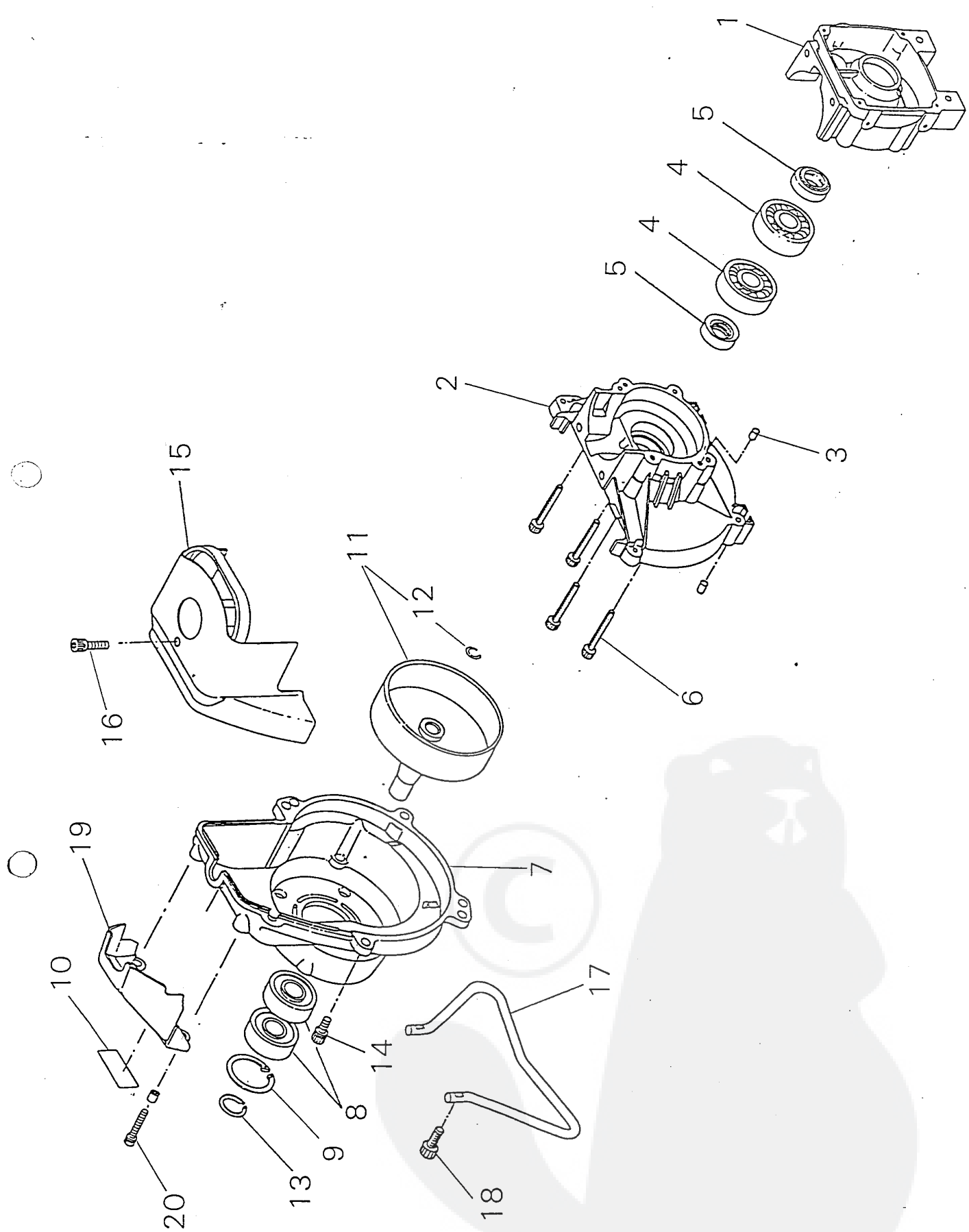
Telephone (082672) 6011 Telex 665871 SDKHIR Fax (082672) 6001, 6002

Cable Address SHINDAIWA HIROSHIMA

JUL. 30. 1991

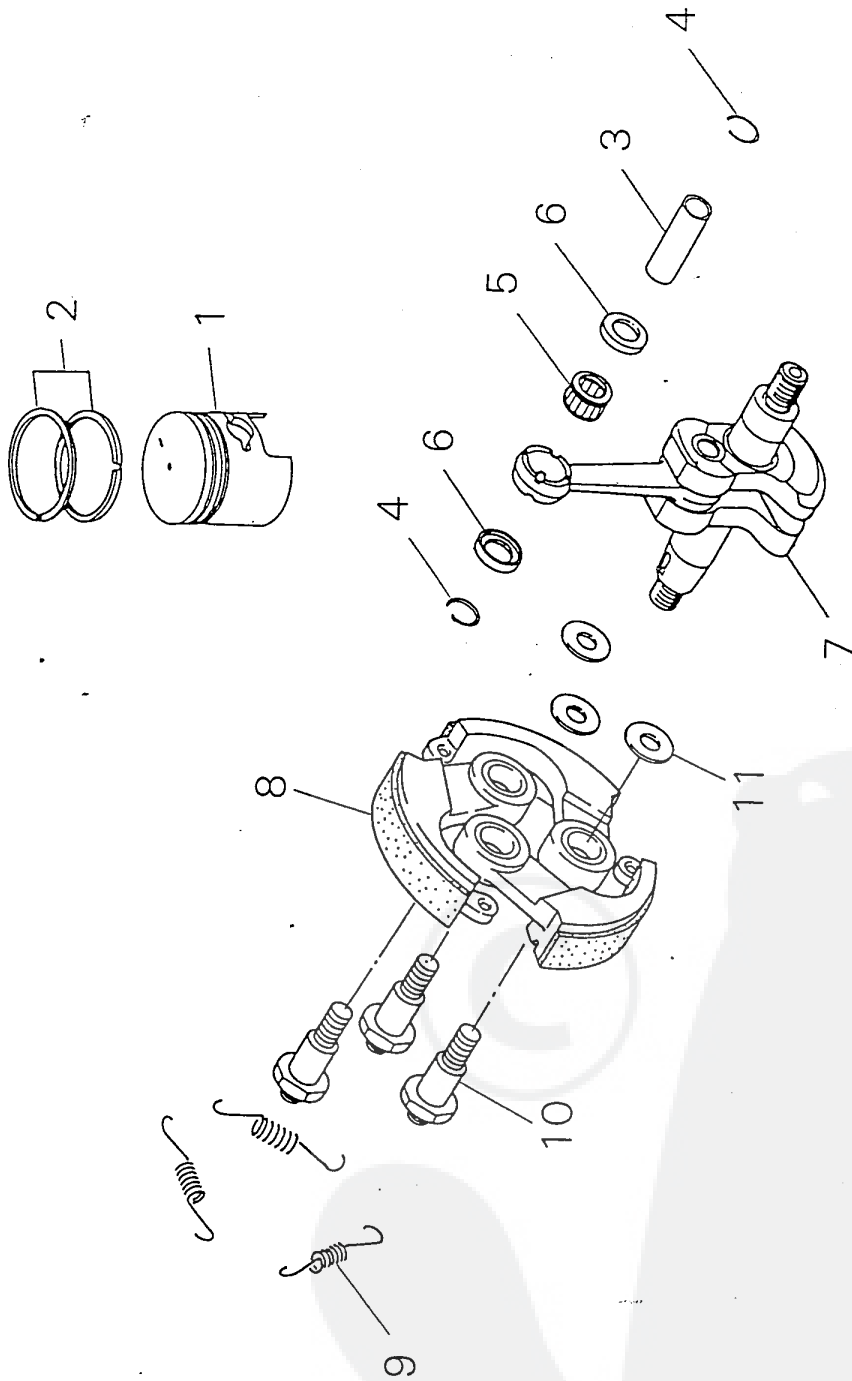






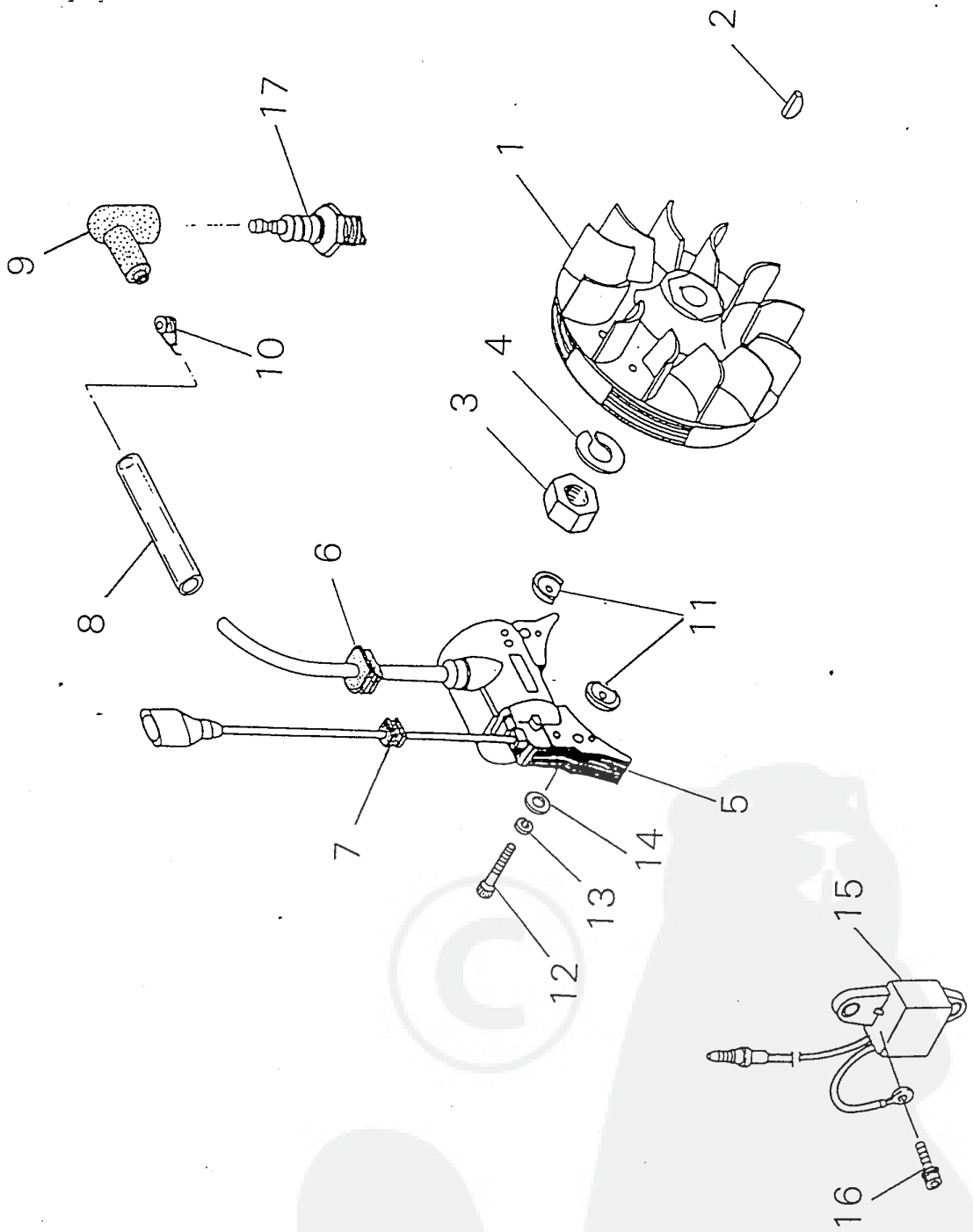
PRICE:(¥)

Ref. No	Part No.	Part Name	Q'ty	Unit Price	Remarks
2-	70062-21000	CRANK CASE ASSY	1	10,000	
1	70062-21110	• CRANK CASE S	1	3,600	
2	72921-21120	• CRANK CASE M	1	2,750	
3	20000-21140	• DAWEL PIN	4	50	
4	12900-62020	• BEARING	2	320	
5	20010-21211	• OIL SEAL	2	300	
6	01020-05300	• BOLT	4	40	
7	70012-31110	• FAN COVER	1	4,900	
8	02006-06000	BEARING	2	480	
9	02432-32120	SNAP RING	1	40	
10	70131-31150	NAME PLATE	1	100	
11	70131-31200	CLUTCH DRUM COMP	1	3,400	
12	20021-31220	• SNAP RING	1	40	
13	20011-31230	SNAP RING	1	40	
14	11022-05200	BOLT SPW	4	50	
15	70012-32110	CYLINDER COVER	1	950	
16	11210-05120	SCREW BUTTON	1	40	
17	70131-33110	STAND	1	280	
18	01020-05120	BOLT	2	30	
19	70131-34100	PROTECTOR COMP	1	250	
20	11024-04160	BOLT SLPW	2	40	



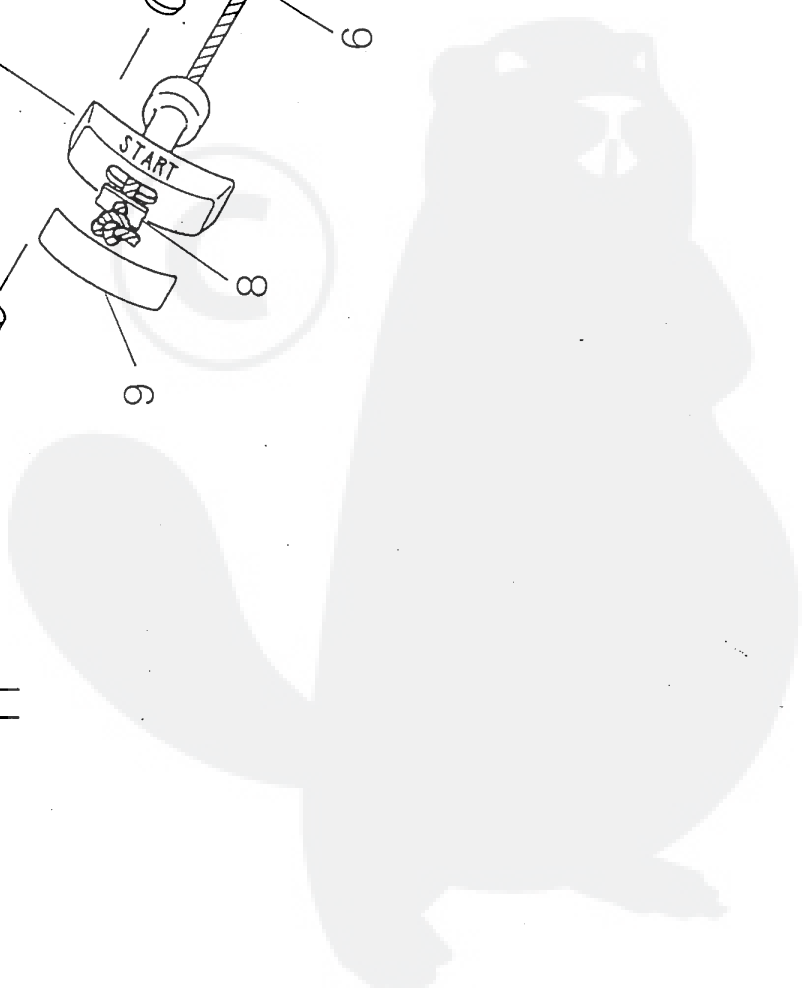
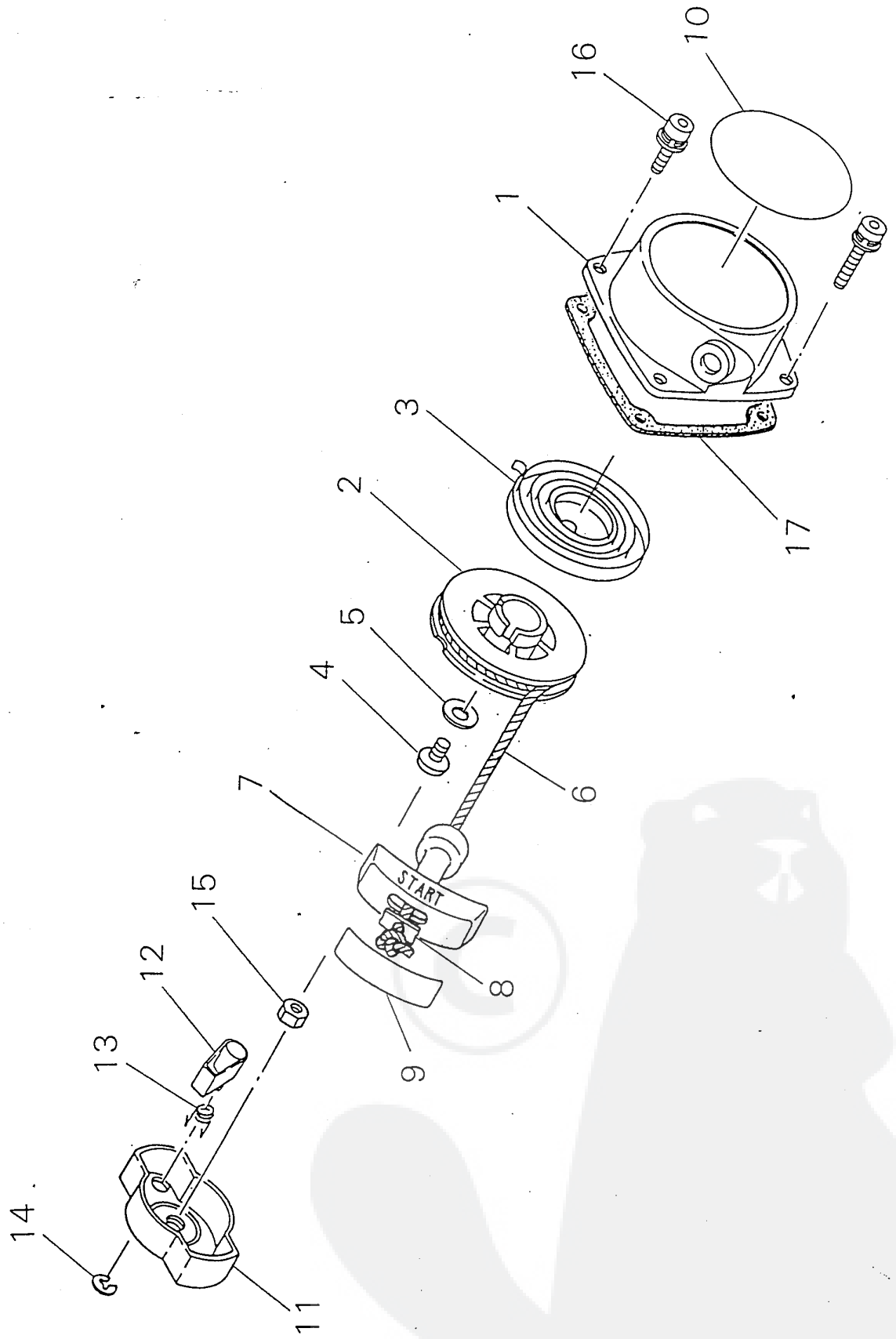
PRICE:(¥)

Ref. No	Part No.	Part Name	Qty	Unit Price	Remarks
3- 1	20021-41111	PISTON	1	2,300	
2	20021-41210	PISTON RING	2	480	
3	20021-41310	PISTON PIN	1	390	
4	22150-41230	SNAP RING	2	30	
5	20021-41330	BEARING SE	1	800	
6	20021-41341	THRUST WASHER	2	260	
7	20021-42002	CRANK SHAFT ASSY	1	11,800	
	20021-51102	CLUTCH SHOE ASSY	1	5,650	
8	20021-51111	• CLUTCH SHOE	3	1,160	
9	20021-51120	• CLUTCH SPRING	3	250	
10	20021-51131	• CLUTCH BOLT	3	360	
11	22100-71430	• WASHER	3	30	

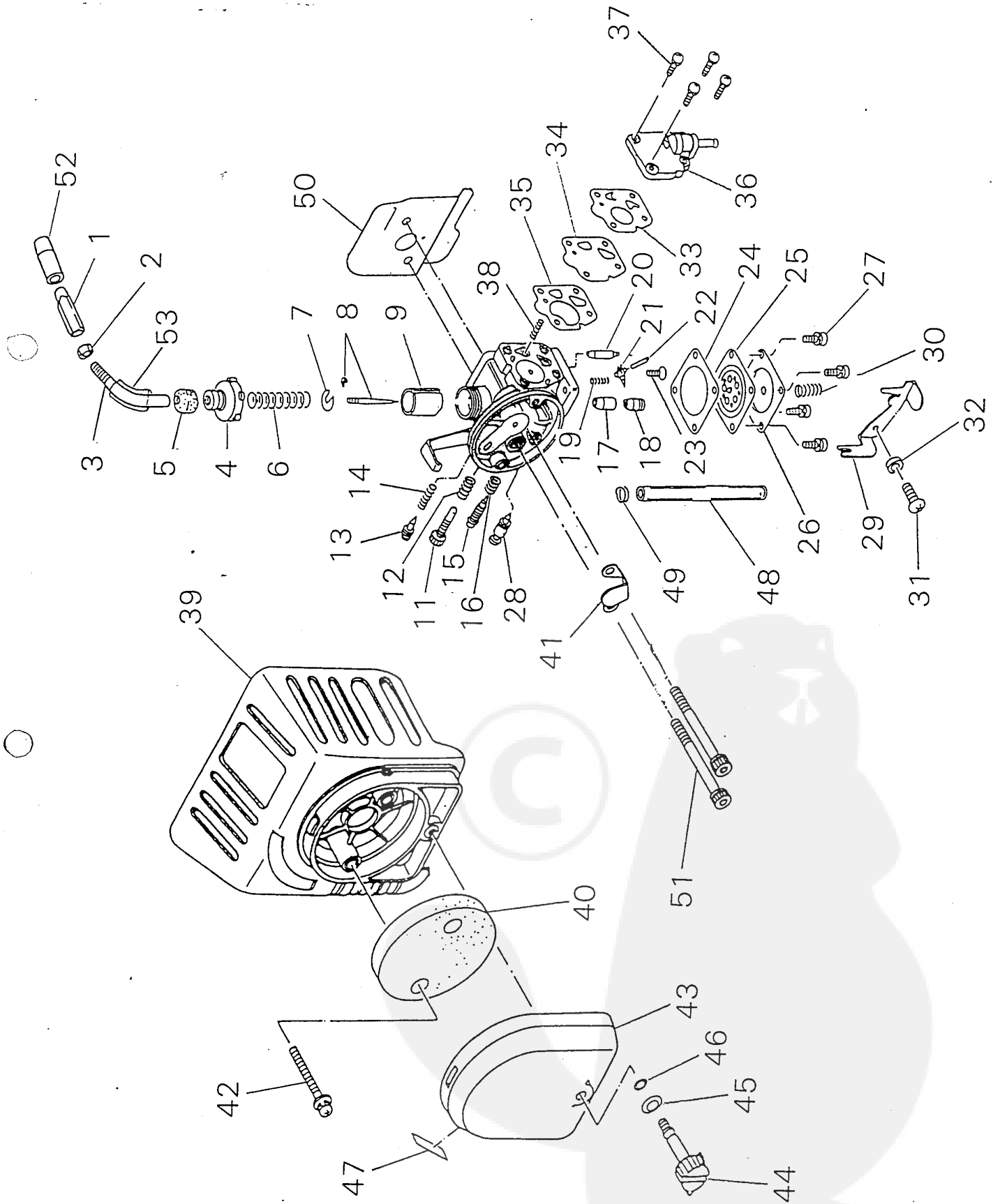












PRICE:(¥)

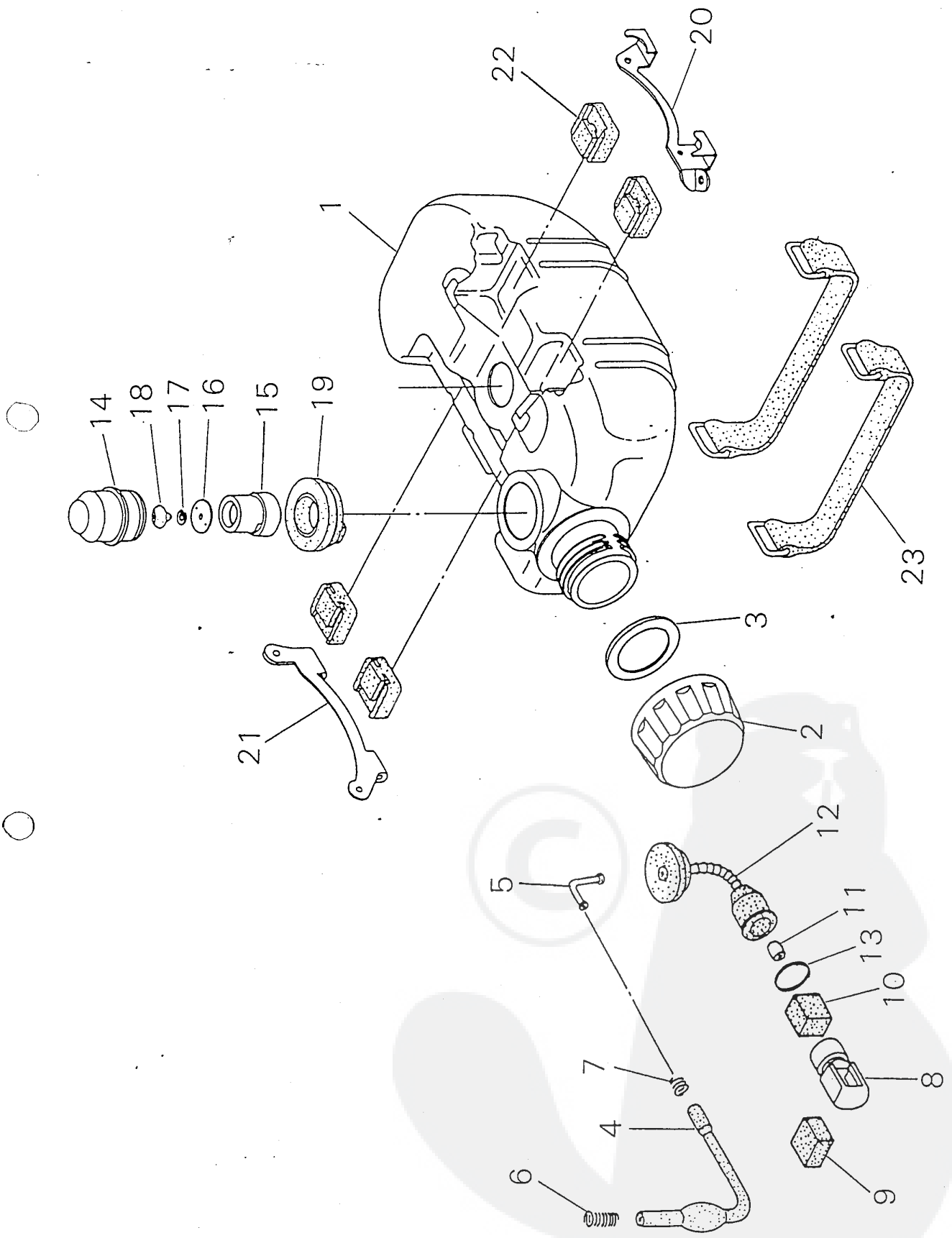
Ref. No	Part No.	Part Name	Q'ty	Unit Price	Remarks
6-	70131-81001	CARBURETOR ASSY #	1	9,750	
	70131-81021	• CARBURETOR BODY ASSY	1	7,750	
1	20055-81810	•• CABLE ADJUSTER	1	680	
2	20000-81260	•• LOCK NUT	1	70	
3	70107-81830	•• ADJUST PIPE	1	510	
4	20055-81120	•• BODY CAP	1	450	
5	20055-81130	•• CAP	1	110	
6	20003-81140	•• THROTTLE SPRING	1	130	
7	20000-81150	•• SPRING RECEIVE	1	60	
8	70131-81170	•• JET NEEDLE	1	570	
9	70131-81180	•• THROTTLE VALVE	1	960	
11	20000-81310	•• SLOW STOP SCREW	1	170	
12	20000-81320	•• SPRING	1	50	
13	20000-81330	•• SLOW AIR SCREW	1	280	
14	20000-81340	•• SPRING	1	50	
15	20070-81350	•• MAIN ADJUST SCREW	1	710	
16	20011-81360	•• SPRING	1	50	
17	20011-81410	•• NEEDLE JET	1	830	
18	20011-81420	•• HOLDER	1	270	
19	20011-81430	•• SPRING	1	140	
20	20000-81441	•• NEEDLE VALVE	1	750	
21	20011-81450	•• LEVER	1	210	
22	20011-81460	•• PIN	1	120	
23	20011-81470	•• SCREW	1	40	
24	20011-81510	•• GASKET	1	170	
25	20011-81520	•• DIAPHRAGM	1	1,090	
26	20011-81530	•• COVER DIAPHRAGM	1	330	
27	20000-81540	•• SCREW	4	30	
28	20011-81550	•• ORVER FLOW VALVE	1	740	
29	20035-81560	•• TICKLER LEVER	1	260	
30	20011-81572	•• SPRING	1	50	
31	20011-81581	•• SCREW	1	50	
32	20011-81590	•• COLLAR	1	60	
33	20020-81660	•• PUMP VALVE	1	790	
34	20011-81621	•• DIAPHRAGM	1	310	
35	20011-81630	•• GASKET	1	110	
36	20011-81641	•• PUMP BODY	1	1,070	
37	20000-81650	•• SCREW	4	30	

PARTS LIST  
SHINDAIWA  
(LI38 LIA0380P)

RC45/VK

PRICE:(¥)

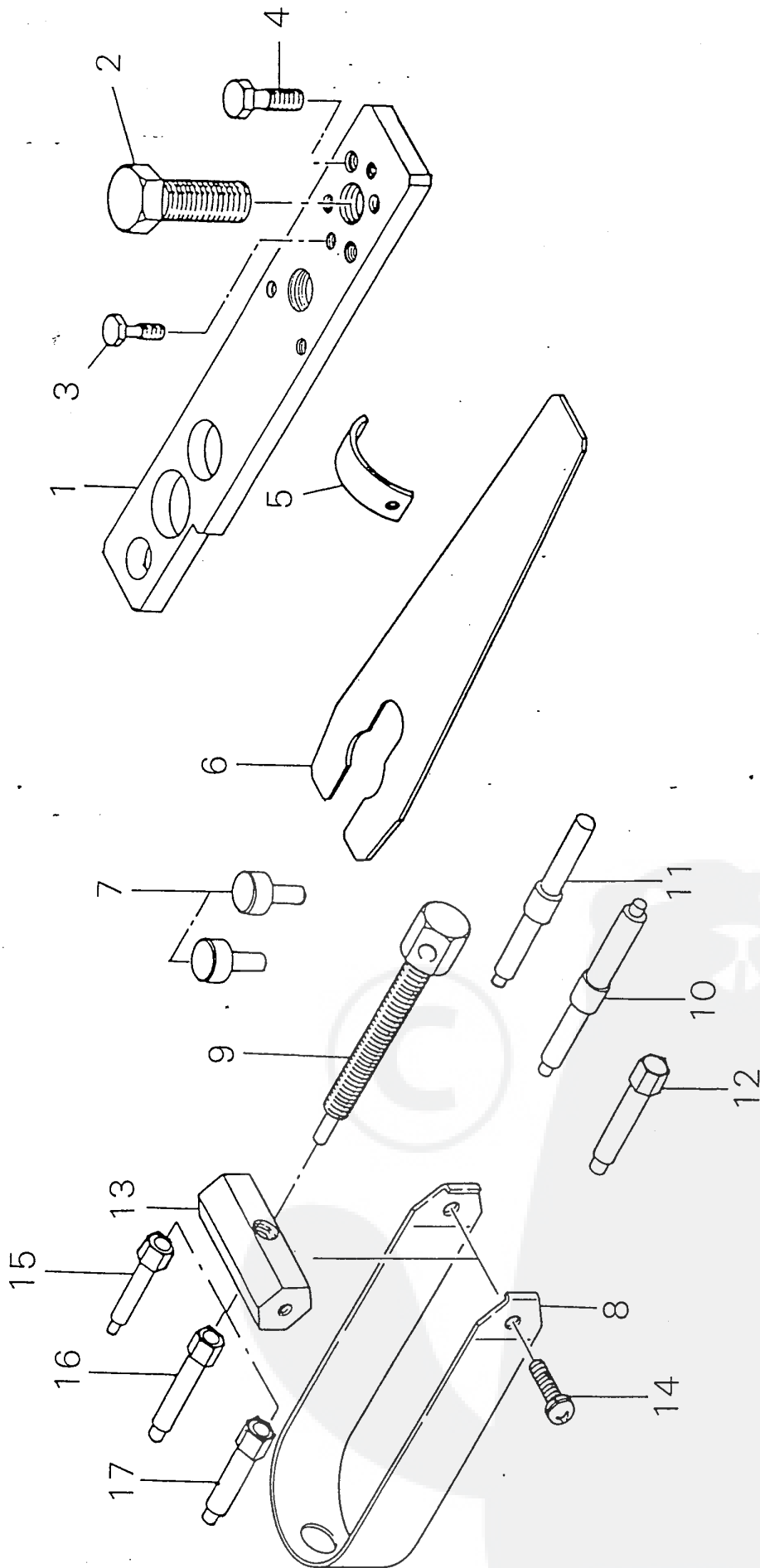
Ref. No	Part No.	Part Name	Qty	Unit Price	Remarks
6-38	20011-81680	•• SPRING	1	100	
	70131-81700	AIR CLEANER ASSY #	1	2,040	
39	70131-81710	•• CLEANER BODY COMP	1	890	
40	20056-81740	•• FILTER	1	130	
41	70131-81750	•• PLATE	1	200	
42	11207-04250	•• SCREW PM SLPW	2	20	
	20060-81760	•• CLEANER COVER COMP	1	680	
43	20060-81770	∴ CLEANER COVER	1	330	
44	20060-81780	∴ KNOB CLEANER COVER	1	330	
45	20024-81790	∴ CONE WASHER	1	30	
46	22100-82430	∴ O RING	1	40	
47	19404-00008	∴ LABEL CHOKE	1	80	
48	20000-83312	PIPE	1	40	
49	20020-85540	CLIP	1	30	
50	20021-83410	GASKET CARBURETOR	1	550	
51	11022-05550	BOLT SW	2	30	
52	20005-83160	CABLE CAP	1	60	
53	20060-83180	PIPE	1	30	
	20011-81910	GASKET KIT	1	270	
24	20011-81510	• GASKET	1	170	
35	20011-81630	• GASKET	1	110	
	20011-81621	DIAPHRAGM	1	310	
25	20011-81520	• DIAPHRAGM	1	1,090	
34	20011-81621	• DIAPHRAGM	1	310	
33	20020-81660	• PUMP VALVE	1	790	
	70131-81930	JET NEEDLE KIT	1	1,410	
8	70131-81170	• JET NEEDLE	1	570	
17	20011-81410	• NEEDLE JET	1	830	



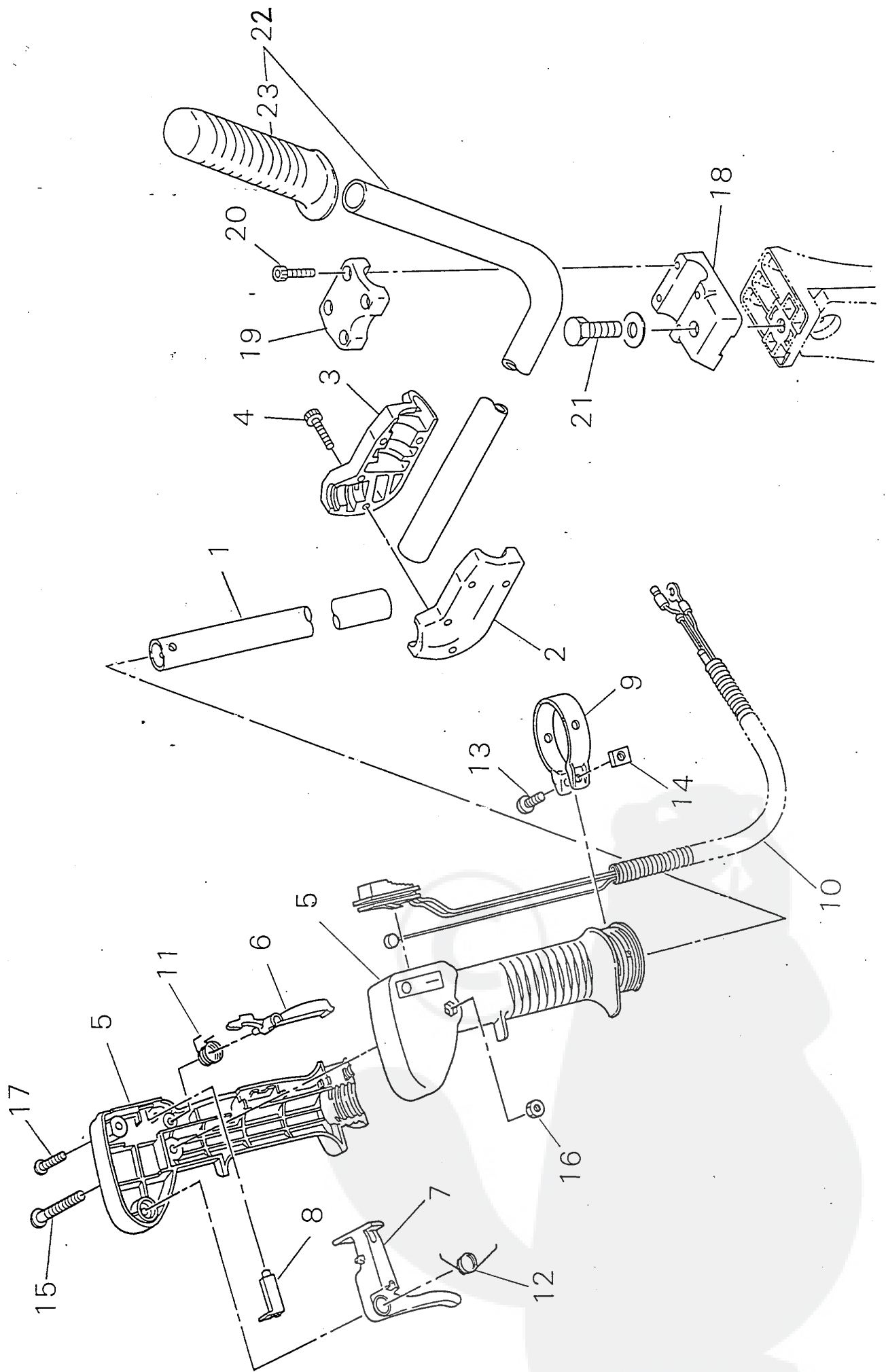
PRICE:(¥)

Ref. No	Part No.	Part Name	Q'ty	Unit Price	Remarks
7-	70050-85001	FUEL TANK ASSY	1	5,100	
1	20011-85111	• FUEL TANK	1	1,800	
	70043-85200	• FUEL CAP SUB ASSY	1	220	
2	70043-85210	•• FUEL CAP	1	170	
3	20000-85220	•• GASKET FUEL	1	60	
	20000-85303	• FUEL PIPE SUB ASSY	1	750	
4	20000-85313	•• FUEL PIPE	1	370	
5	20000-85321	•• JOINT PIPE	1	130	
6	20000-85340	•• CLAMP A	1	60	
7	20000-85350	•• CLAMP B	1	30	
	20011-85401	• FUEL FILTER SUB ASSY	1	1,680	
8	22100-85411	•• WEIGHT FUEL	1	340	
9	22100-85420	•• FILTER A	1	90	
10	22100-85431	•• FILTER B	1	70	
11	20000-85440	•• CHECK VALVE	1	540	
12	20011-85451	•• SUCTION PIPE	1	620	
13	22102-85440	•• CLIP	1	40	
	20000-85500	• BREATHER SUB ASSY	1	680	
14	20000-85511	•• CAP BREATHER	1	70	
15	20000-85521	•• HOLDER VALVE	1	100	
16	22100-85240	•• RETAINER FUEL	1	50	
17	22100-85250	•• WASHER FUEL	1	20	
18	22100-85260	•• VALVE FUEL	1	470	
19	20000-85579	•• GROMMET BREATHER	1	90	
20	20021-86110	BRACKET S	1	200	
21	20011-86120	BRACKET M	1	170	
22	20010-86130	CUSHION	4	70	
23	20010-86140	BAND	2	300	



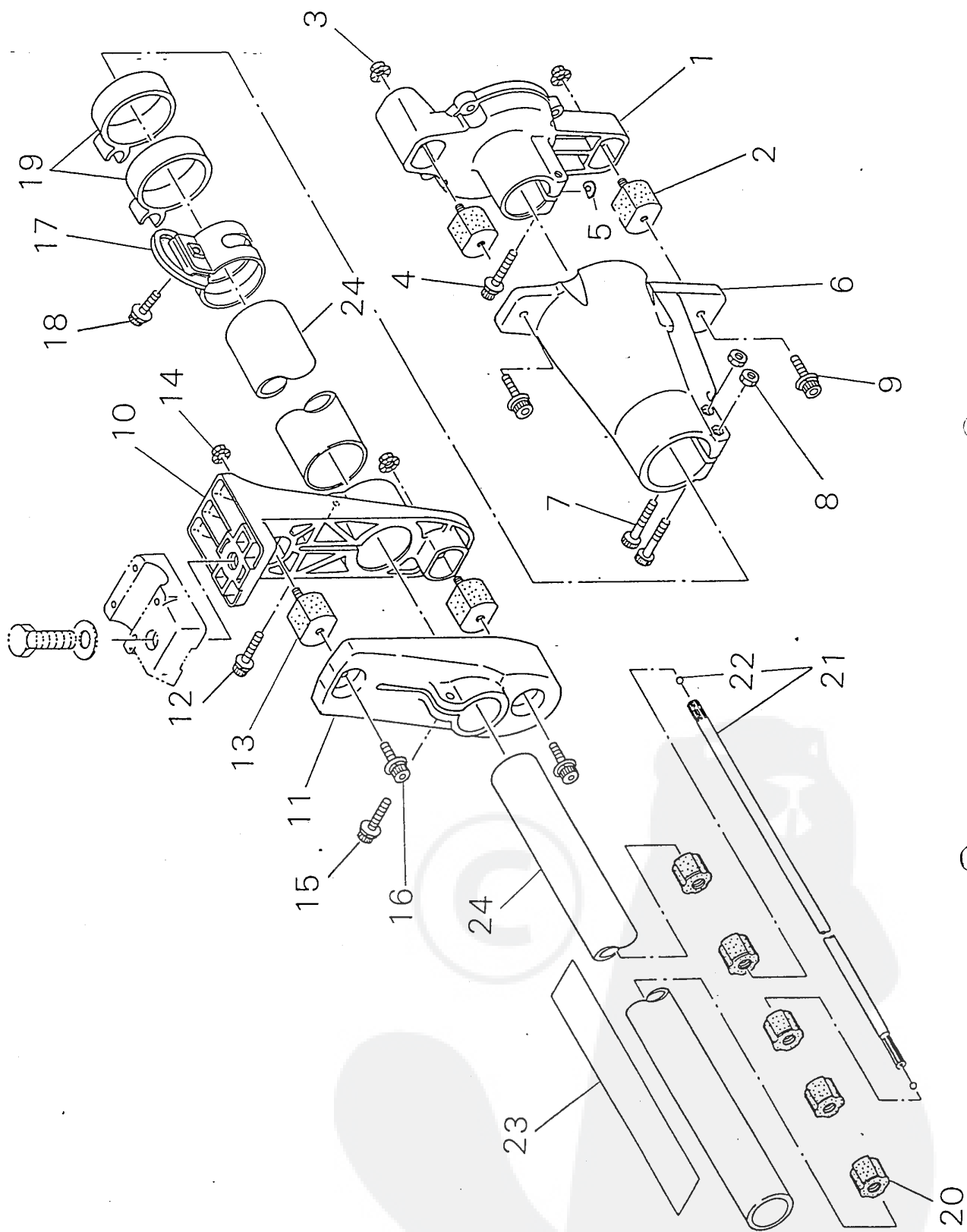




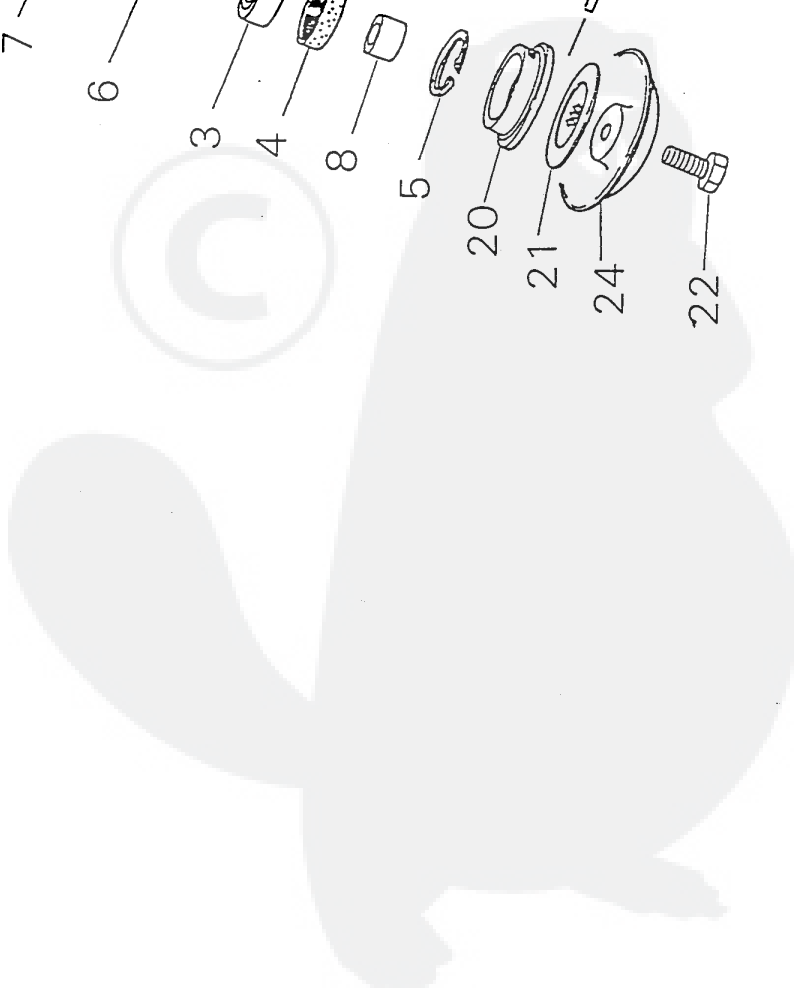
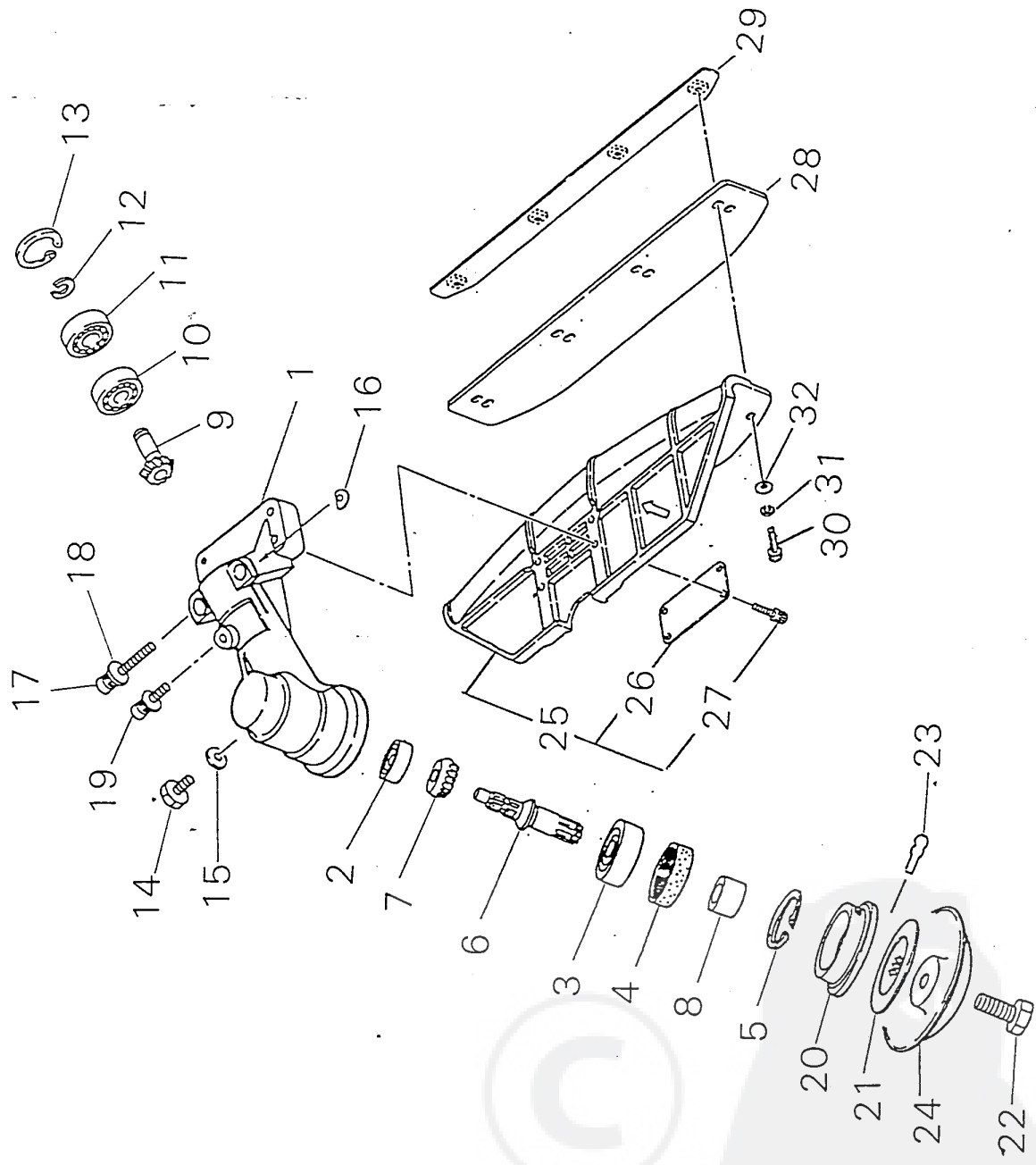


PRICE:(¥)

Ref. No	Part No.	Part Name	Q'ty	Unit Price	Remarks
9-	72451-14400	HANDLE RIGHT ASSY	1	4,860	
1	72451-14410	• HANDLE RIGHT	1	1,650	
2	72451-14420	• JOINT	1	1,540	
3	72451-14430	• JOINT	1	1,550	
4	01020-05200	• BOLT	4	30	
	72451-14500	THROTTLE LEVER ASSY	1	6,750	
5	72451-14600	• BODY SUB ASSY	1	2,250	
6	72451-14530	• LEVER	1	450	
7	72451-14540	• LOCK LEVER	1	270	
8	72451-14550	• BUTTON	1	180	
9	72451-14560	• CLAMP	1	160	
10	72451-14570	• THROTTLE CABLE COMP	1	3,600	
11	72451-14580	• RETURN SPRING	1	90	
12	72451-14590	• SPRING	1	130	
13	11203-06200	• SCREW	1	90	
14	72451-14610	• NUT	1	20	
15	11203-05350	• SCREW PM	1	10	
16	01501-05030	• NUT	1	20	
17	72451-14620	• SCREW TAPPING	1	20	
18	72457-14131	LOWER CLAMP	1	800	
19	72457-14151	UPPER CLAMP	1	700	
20	01020-05200	BOLT	4	30	
21	01004-10300	BOLT SW	1	40	
22	72451-14300	HANDLE LEFT COMP	1	3,800	







PRICE:(¥)

Ref. No	Part No.	Part Name	Q'ty	Unit Price	Remarks
11-	72447-13001	GEAR CASE ASSY #	1	21,800	
	72447-13012	• GEAR CASE SUB ASSY	1	18,300	
1	72447-13111	•• GEAR CASE	1	5,000	
2	02006-06000	•• BEARING	1	480	
3	02000-06202	•• BEARING	1	320	
4	72447-13121	•• OIL SEAL	1	330	
5	02432-35150	•• SNAP RING	1	40	
6	22015-13210	•• GEAR SHAFT	1	2,780	
7	22015-13220	•• BEVEL GEAR	1	2,230	
8	22015-13230	•• COLLAR	1	280	
9	22021-13390	•• PINION SET	1	2,850	
10	02000-06001	•• BEARING	1	360	
11	02002-06001	•• BEARING	1	470	
12	20000-31140	•• SNAP RING	1	40	
13	02432-28120	•• SNAP RING	1	40	
14	22015-13410	•• BOLT	1	60	
15	22015-13420	•• GASKET	1	30	
16	22000-13420	•• SHIM	2	20	
17	11020-05300	•• BOLT SW	2	50	
18	01610-05080	•• WASHER	2	10	
19	11022-05120	•• BOLT SPW	1	40	
20	72447-13240	• HOLDER A	1	1,660	
21	22015-13251	• HOLDER B	1	1,770	
22	22015-13261	• BOLT	1	190	
23	22015-13290	• SLIDE PIN	1	130	
24	72447-13290	• STABILIZER	1	400	
25	72447-16900	GUARD SUB ASSY	1	2,880	
26	72444-16250	• WASHER	1	110	
27	11022-05200	• BOLT SPW	4	50	
28	72444-16220	SUB GUARD	1	950	
29	72444-16230	BACK PLATE	1	640	
30	01020-05160	BOLT	4	30	
31	01600-05131	SPRING WASHER	4	10	
32	01613-05080	WASHER	4	10	



PRICE:(¥)

Ref. No	Part No.	Part Name	Qty	Unit Price	Remarks
12-	72451-91000	TOOL SET	1	1,180	
1	19610-02600	• TOOL BAG	1	200	
2	72451-91180	• WRENCH	1	600	
3	09026-03001	• HEXA WRENCH	1	80	
4	09026-04001	• HEXA WRENCH	1	90	
5	09026-05001	• HEXA WRENCH	1	100	
6	22100-91150	• DRIVER	1	270	
14	72043-92136	TRIPLE SAW	1	1,170	
7	19601-00300	BLADE COVER	1	490	
	72451-17202	HARNESS ASSY	1	6,000	
8	22007-17220	• PROTECTOR	1	310	
9	72451-17230	• BUCKLE	4	60	
10	72451-17241	• PAD RIGHT	1	840	
11	72451-17251	• PAD LEFT	1	840	
12	72451-17262	• PAD	1	1,980	
13	72451-17271	• HOOK	1	1,580	