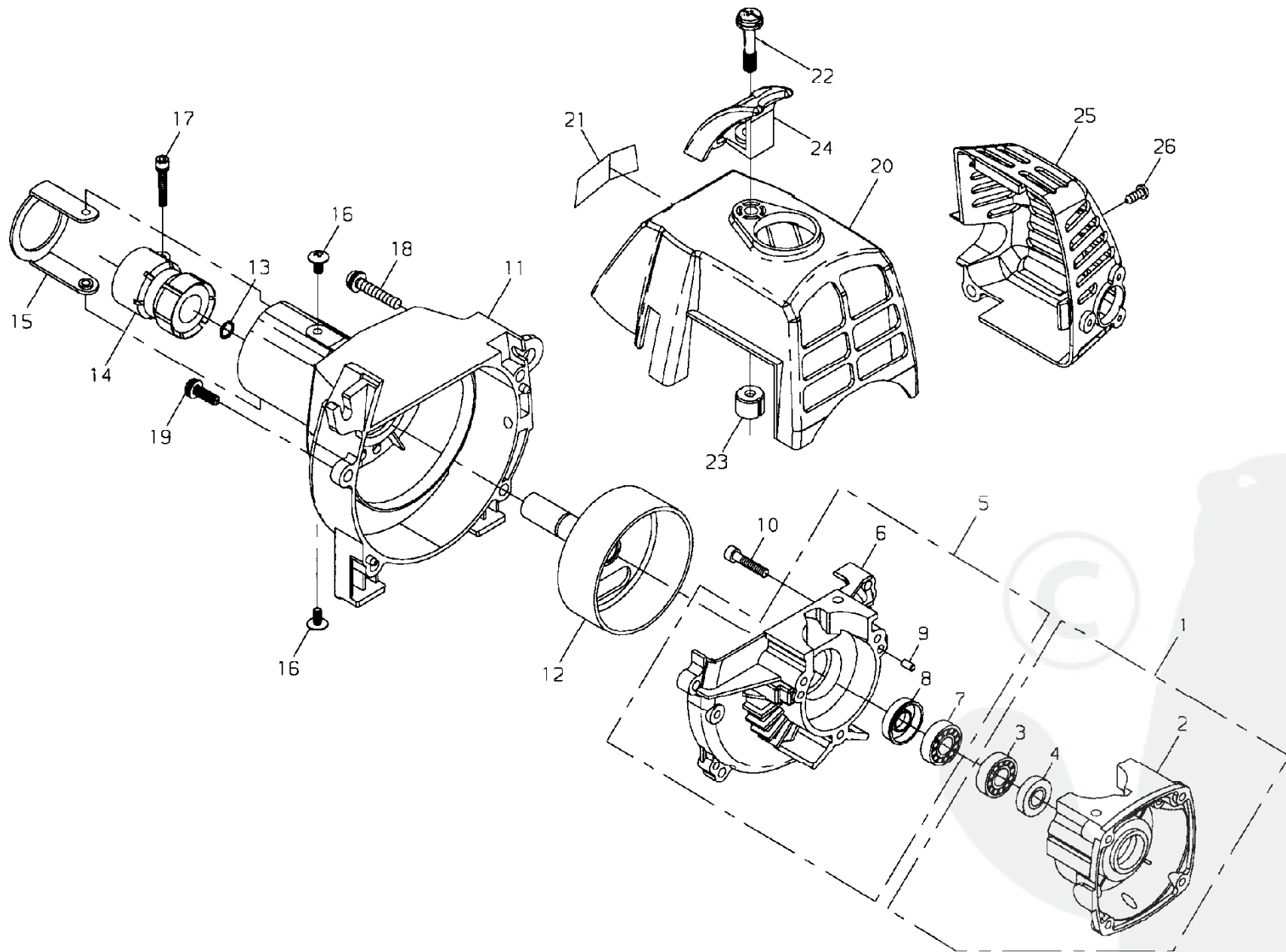


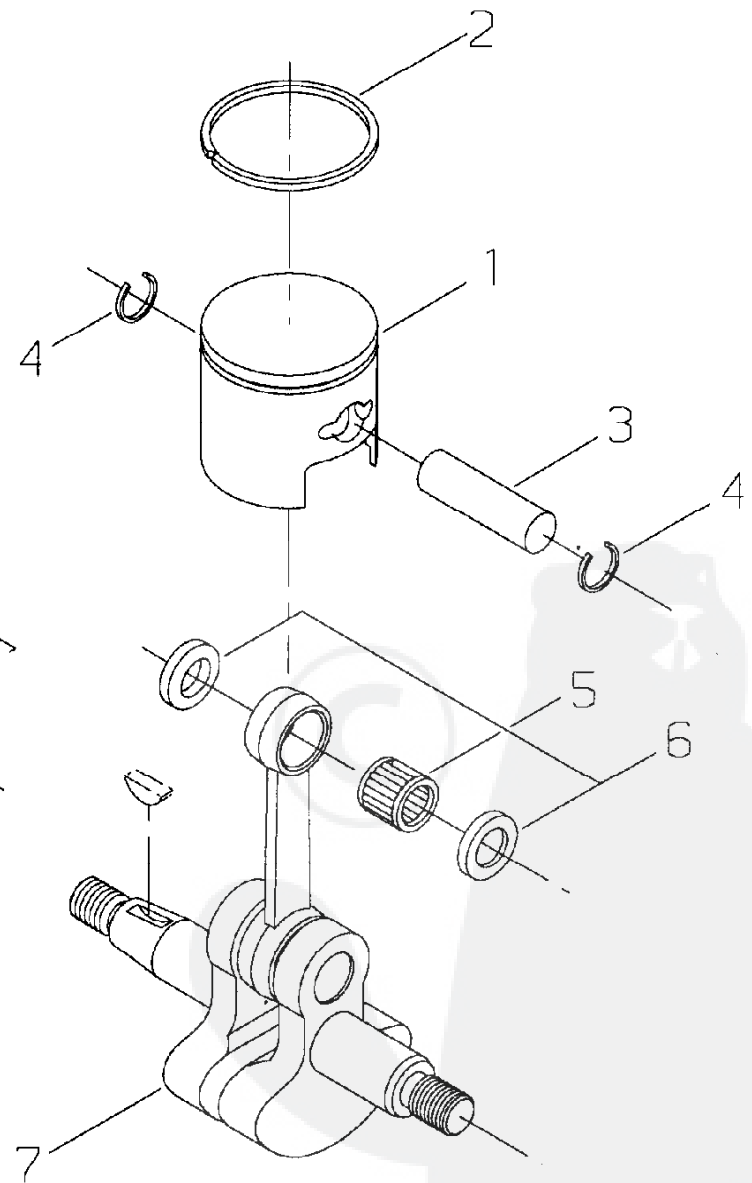
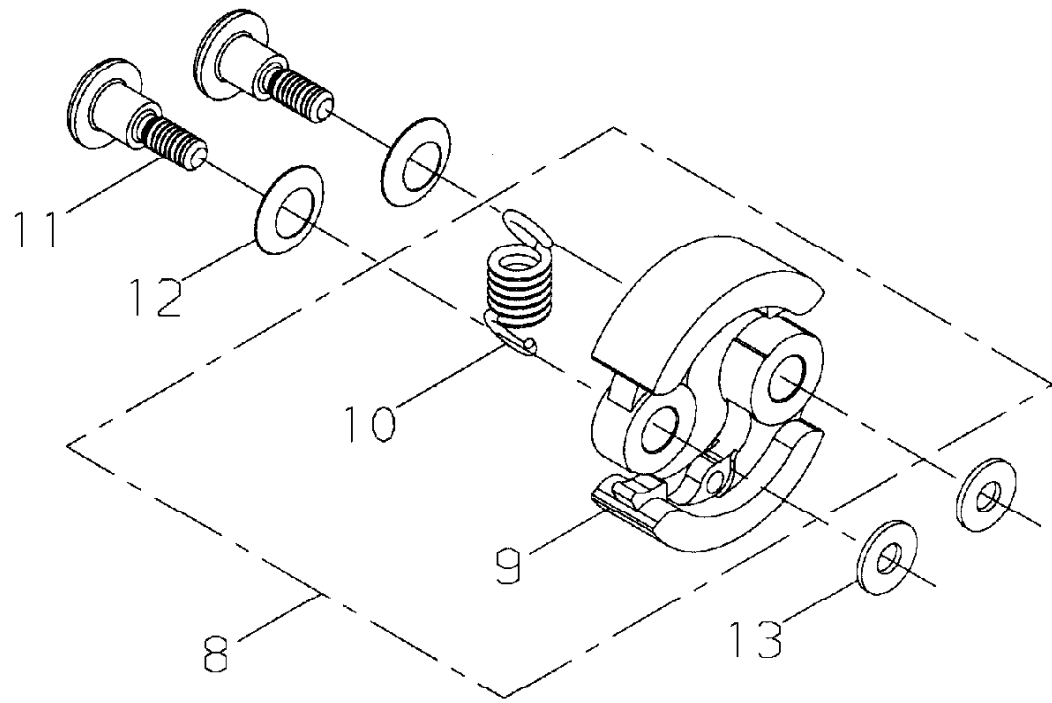
Ref. No	Part No.	Part Name	Q`ty	Remarks,Serial No.
1- 1	20142-12110	CYLINDER	1	
2	20016-12120	GASKET	1	
3	11022-05250	BOLTSPW	2	
4	20140-12210	INSULATOR	1	
5	20140-12221	GASKET	1	
6	20011-12260	NUT	2	
7	11022-05250	BOLTSPW	2	
8	67000-15010	MUFFLERASSY	1	
9	67000-15110	*MUFFLER	1	
10	67000-15340	*SPARKARRESTER	1	
11	20140-15120	GASKET	1	
12	01020-05400	BOLT	2	
13	01610-05080	WASHER	2	





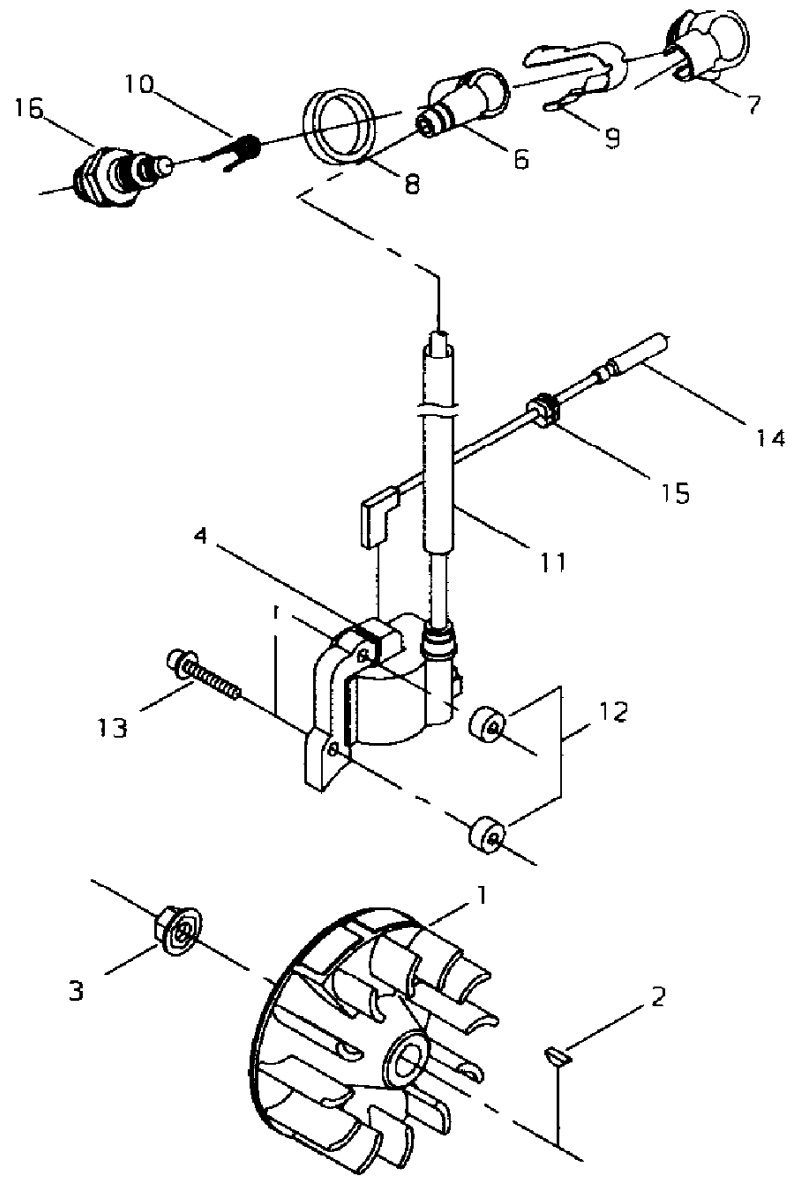
2-1	20035-21101	CRANKCASESCOMP	1	
2	20036-21112	*CRANKCASES	1	
3	12900-60010	*BEARING	1	
4	22150-21250	*OILSEAL	1	
5	20140-21201	CRANKCASEMCOMP	1	
6	20036-21124	*CRANKCASEM	1	
7	12900-60010	*BEARING	1	
8	20000-21211	*OILSEAL	1	
9	12492-40080	*ROLLER	2	
10	01020-05250	BOLT	3	
11	20142-31113	FANCOVER	1	
12	20016-31212	CLUTCHDRUM	1	
13	20000-31140	SNAPRING	1	
14	20087-31411	JOINT	1	
15	20142-31420	STOPPER	1	
16	11260-04081	SCREWADHESIVE	2	
17	11020-05220	BOLTSW	1	
18	11206-05300	SCREWPMSPW	1	
19	11206-05160	SCREWPMSPW	1	
20	20140-32112	CYLINDERCOVER	1	
21	62090-91320	LABELTRADE	1	
22	20140-31250	SCREWPMSLPW	1	
23	20140-31260	INSULATOR	1	
24	20140-34112	PROTECTOR	1	
25	20142-32211	MUFFLERCOVER	1	
26	22160-32210	SCREWPC	1	





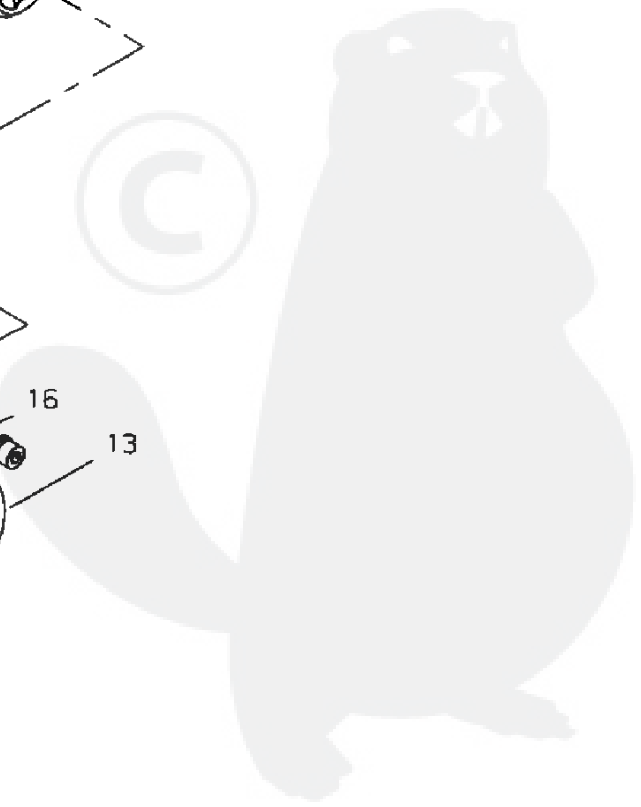
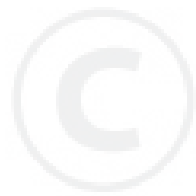
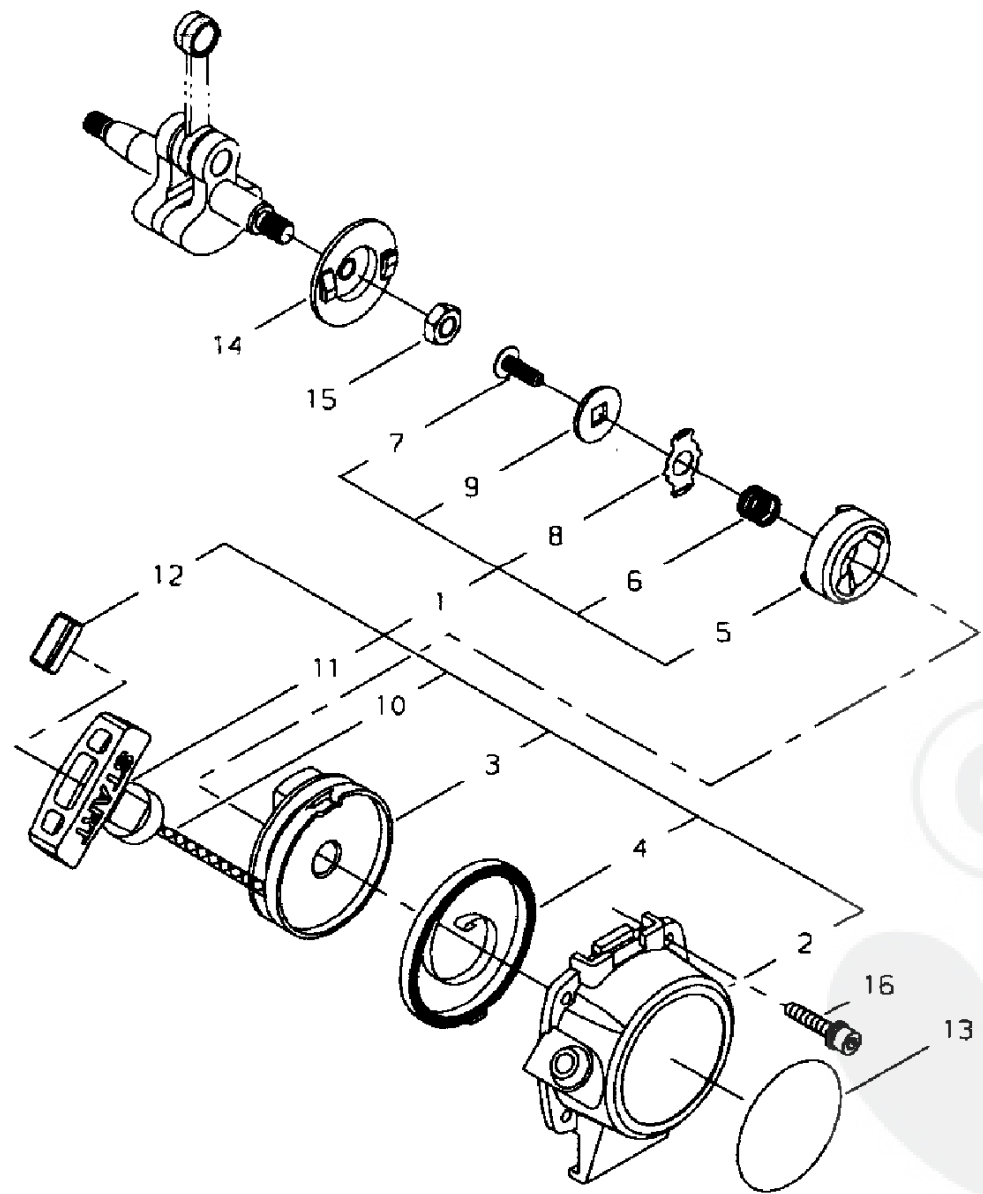
3- 1	20142-41110	PISTON	1	
2	20142-41210	PISTONRING	1	
3	20142-41310	PISTONPIN	1	
4	70030-41320	SNAPRING	2	
5	67000-41230	NEEDLEBEARING	1	
6	20016-41340	THRUSTWASHER	2	
7	67000-42010	CRANKSHAFT	1	
8	62090-51020	CLUTCHSHOEASSY	1	
9	20035-51111	*CLUTCHSHOE	2	
10	37013-51310	*COILSPRING	1	
11	20142-51210	BOLT	2	
12	20087-51231	SPRINGPLATE	2	
13	22100-71430	WASHER	2	





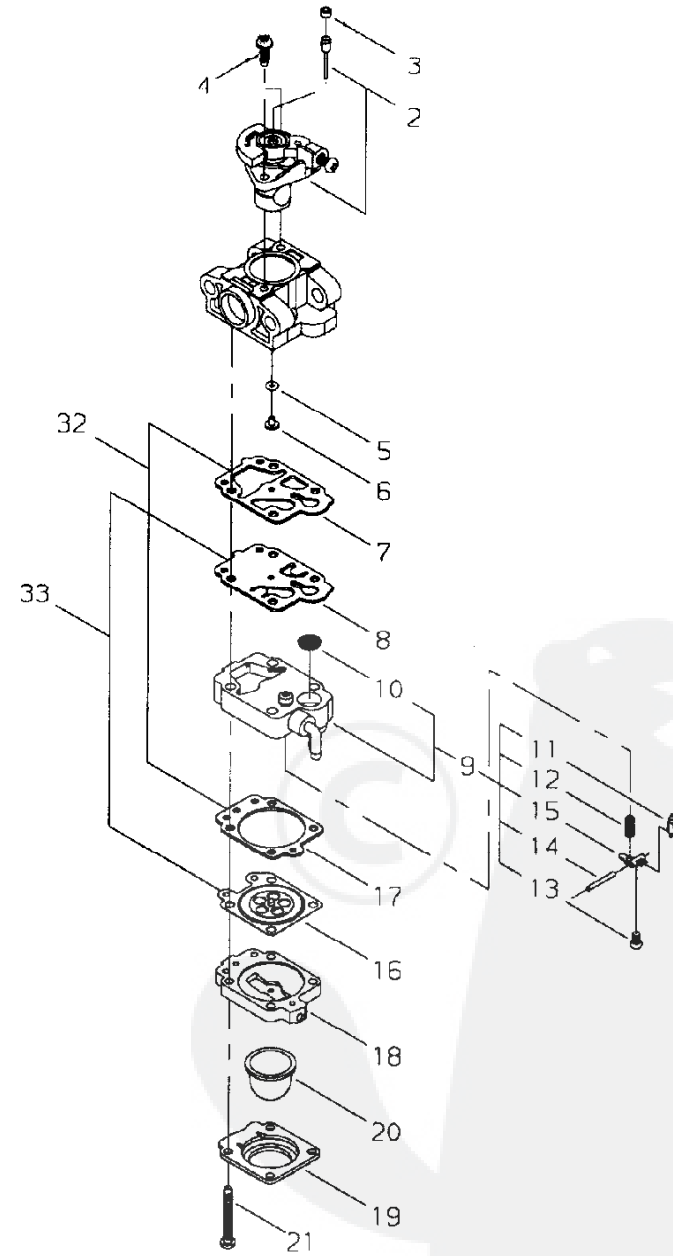
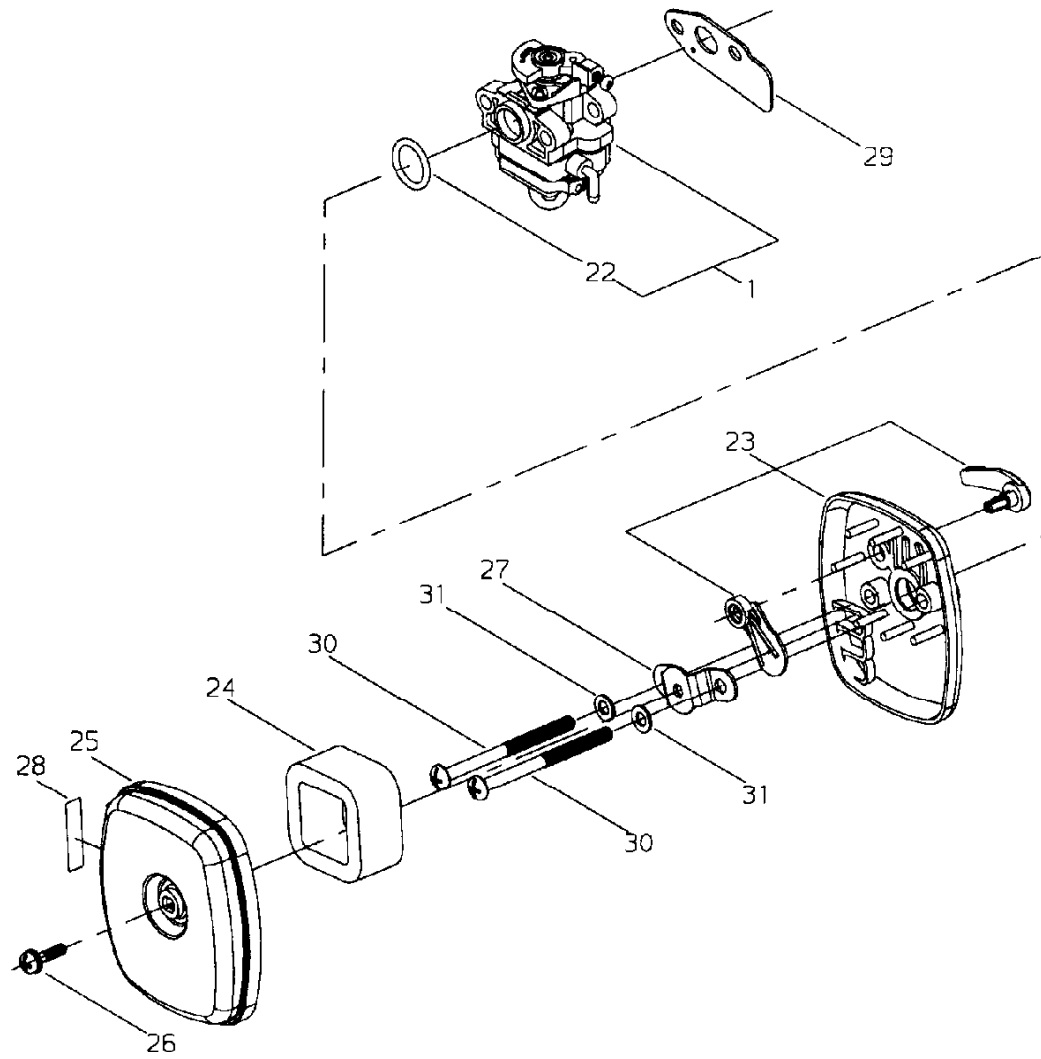
4- 1	20140-71200	ROTOR	1	
2	02403-03100	KEY	1	
3	20035-71220	NUT	1	
4	20140-71600	COILASSY	1	
6	20010-72221	PLUGCAP	1	
7	20000-72241	PLUGCAPCOVER	1	
8	20000-72250	COVERBAND	1	
9	70180-72260	SHIELD	1	
10	20000-72230	SPRINGSPARKPLUG	1	
11	70064-72111	TUBE	1	
12	70030-71620	INSULATOR	2	
13	11024-04261	BOLTSLPW	2	
14	67000-71240	CORD	1	
15	20011-72120	GROMMET	1	
16	13000-13406	SPARKPLUGBMR6A	1	



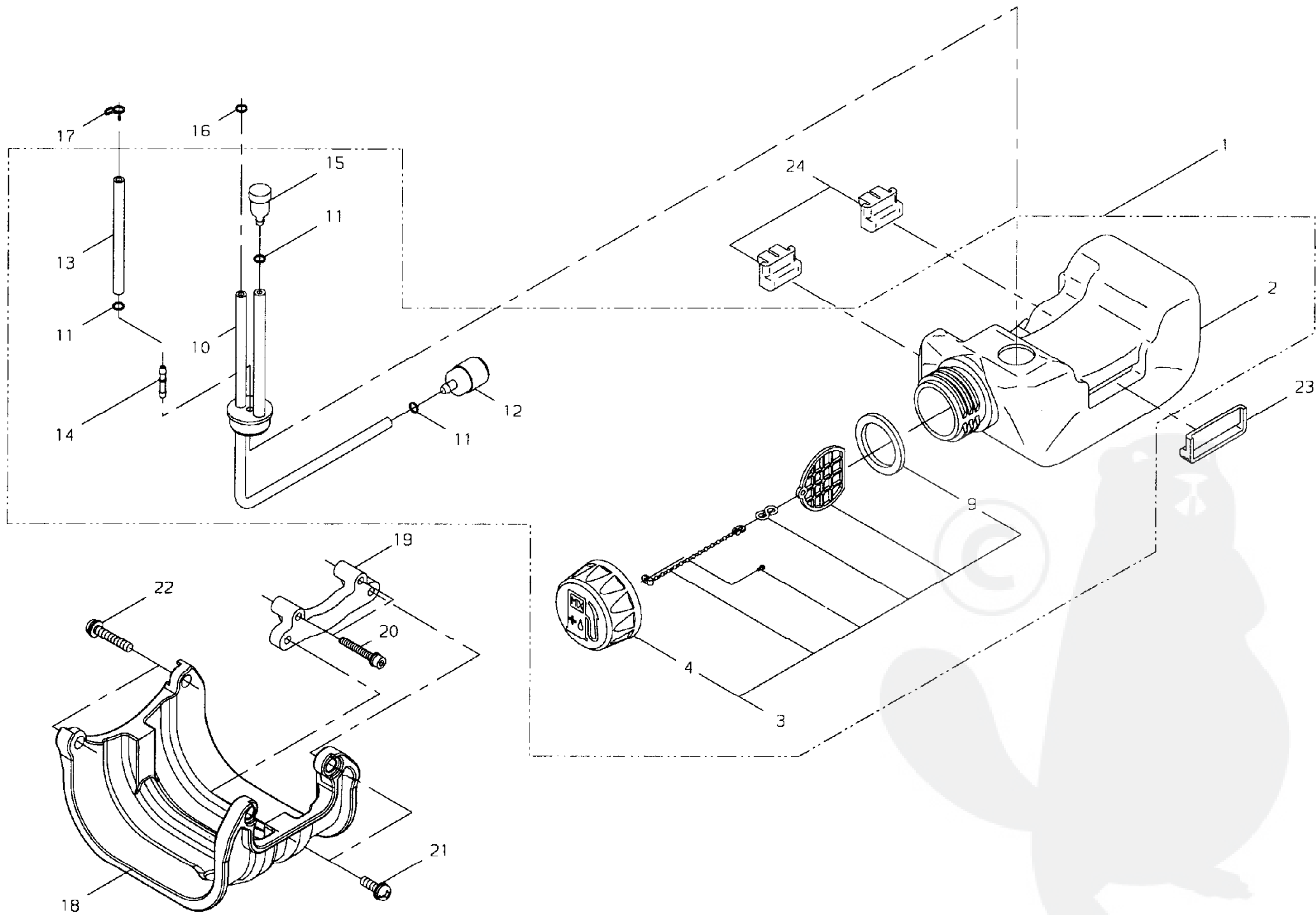


5- 1	20140-75100	RECOILSTARTERSUBASS	1	
2	20140-75110	*STARTERCASE	1	
3	20140-75120	*REEL	1	
4	20140-75130	*SPRING	1	
5	20140-75140	*DOG	1	
6	20140-75150	*BRAKESPRING	1	
7	20140-75160	*SCREW	1	
8	20140-75170	*RETAINER	1	
9	20140-75180	*WASHER	1	
10	70064-75190	*ROPE	1	
11	70064-75211	*HANDLE	1	
12	70064-75220	*STOPPER	1	
13	62090-91330	NAMEPLATE	1	
14	20140-75310	STARTERPULLEY	1	
15	01511-08051	NUT	1	
16	11024-04120	BOLTSPW	2	



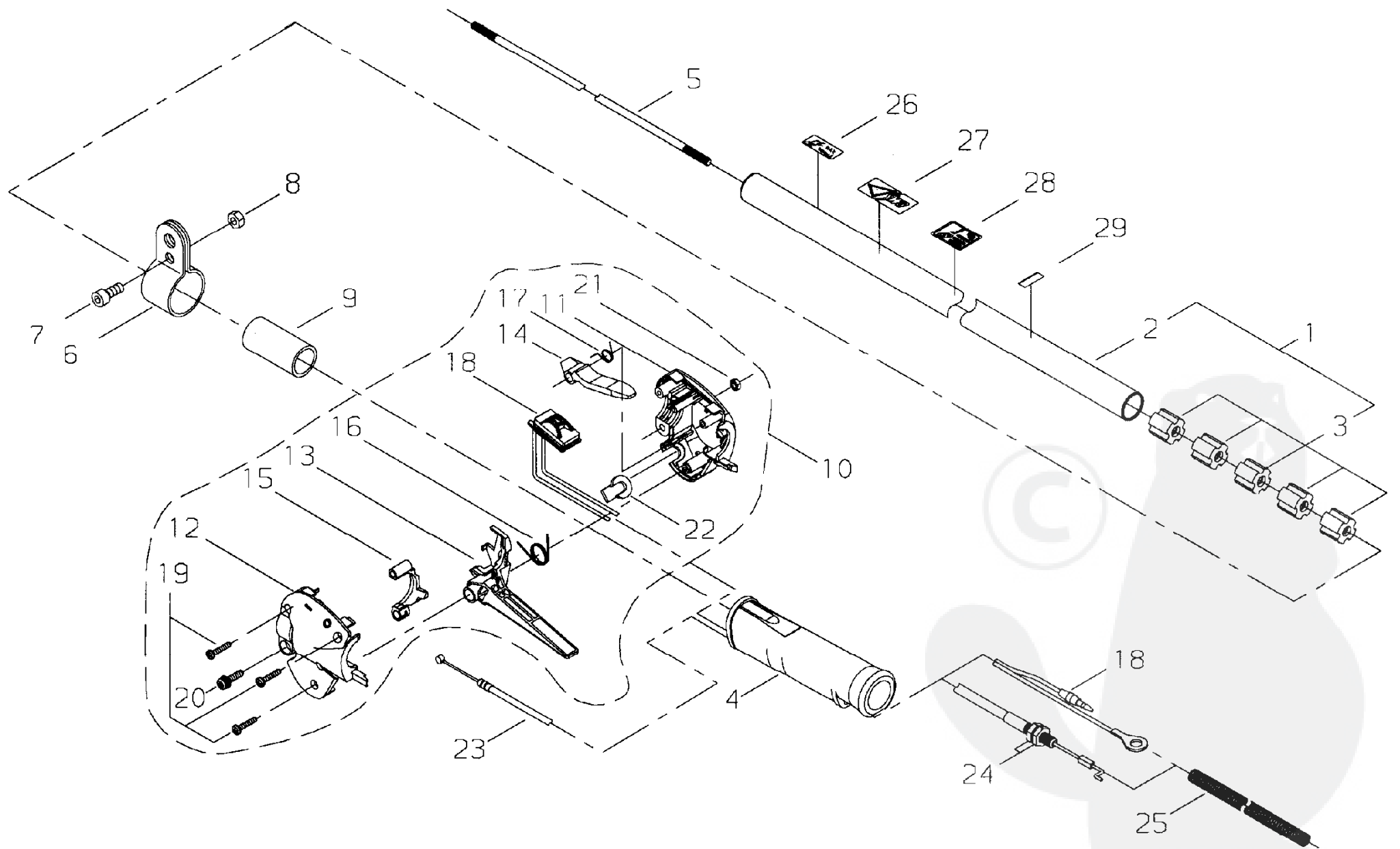


6- 1	67000-81010	CARBURETORASSY	1	
2	20016-81180	*VALVEASSY	1	
3	62074-81320	*PLAG	1	
4	70064-81290	*SCREW	2	
5	70097-81330	*PUMPPLATE	1	
6	67000-81330	*MAINJET	1	
7	70097-81310	*GASKETPUMP	1	
8	70097-81320	*DIAPHRAGM	1	
9	72933-81410	*PUMPBODYASSY	1	
10	70030-81380	**SCREEN	1	
11	20036-81440	**NEEDLEVALVE	1	
12	72933-81270	**SPRING	1	
13	20016-81450	**SCREW	1	
14	22100-81250	**PIN	1	
15	22100-81230	**LEVER	1	
16	22100-81260	*DIAPHRAGMSSY	1	
17	20016-81280	*GASKET	1	
18	20016-81420	*PUMPBASECOMP	1	
19	20016-81510	*PUMPCOVER	1	
20	20036-81670	*PRIMERPUMP	1	
21	20016-81140	*SCREW	4	
22	20016-81250	*ORING	1	
23	20140-81700	CLEANERBODYSUBASSY	1	
24	20140-82210	FILTER	1	
25	20140-81790	CLEANERCOVER	1	
26	37019-82340	SCREWPM SLPW	1	
27	20018-81721	BACKPLATE	1	
28	19404-00008	LABELCHOKE	1	
29	20140-81350	GASKET	1	
30	11203-05658	SCREWPM	2	
31	01610-05080	WASHER	2	
32	20016-81910	GASKETKIT	1	
7	70097-81310	*GASKETPUMP	1	
17	20016-81280	*GASKET	1	
33	70097-81920	DIAPHRAGMKIT	1	
8	70097-81320	*DIAPHRAGM	1	
16	22100-81260	*DIAPHRAGMSSY	1	

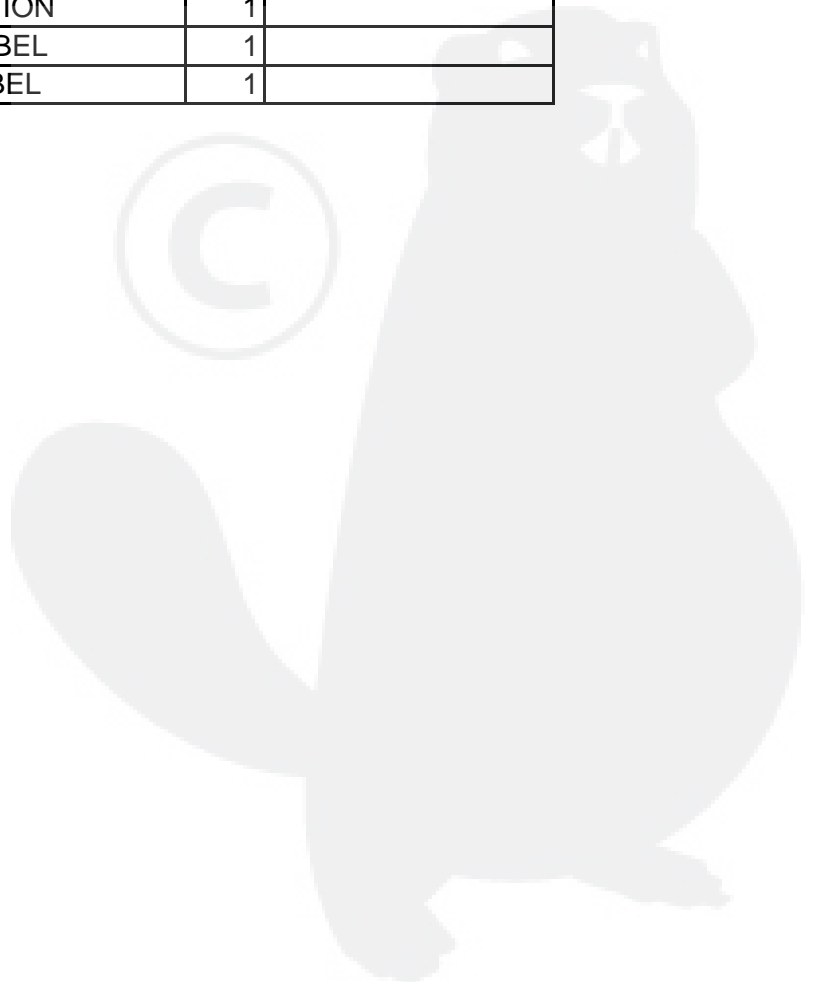


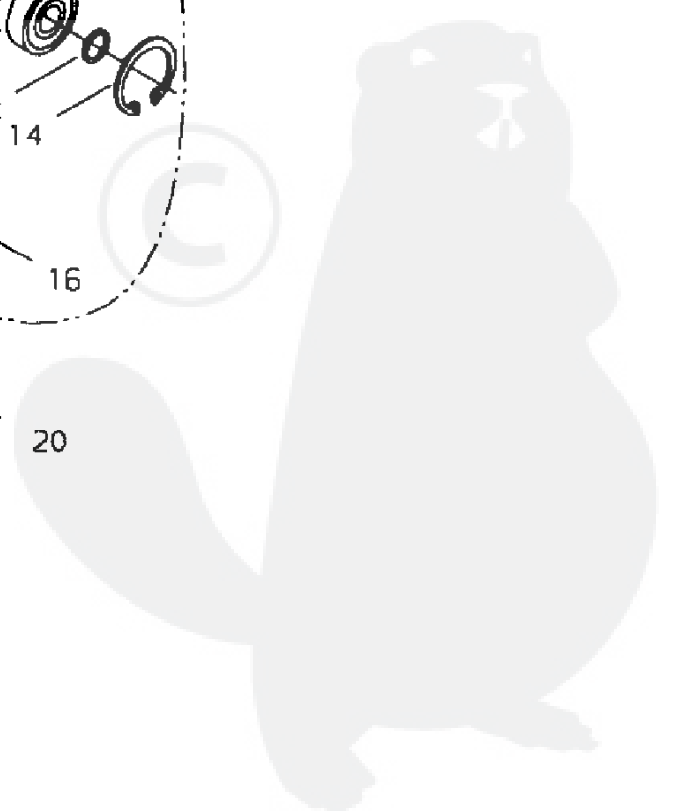
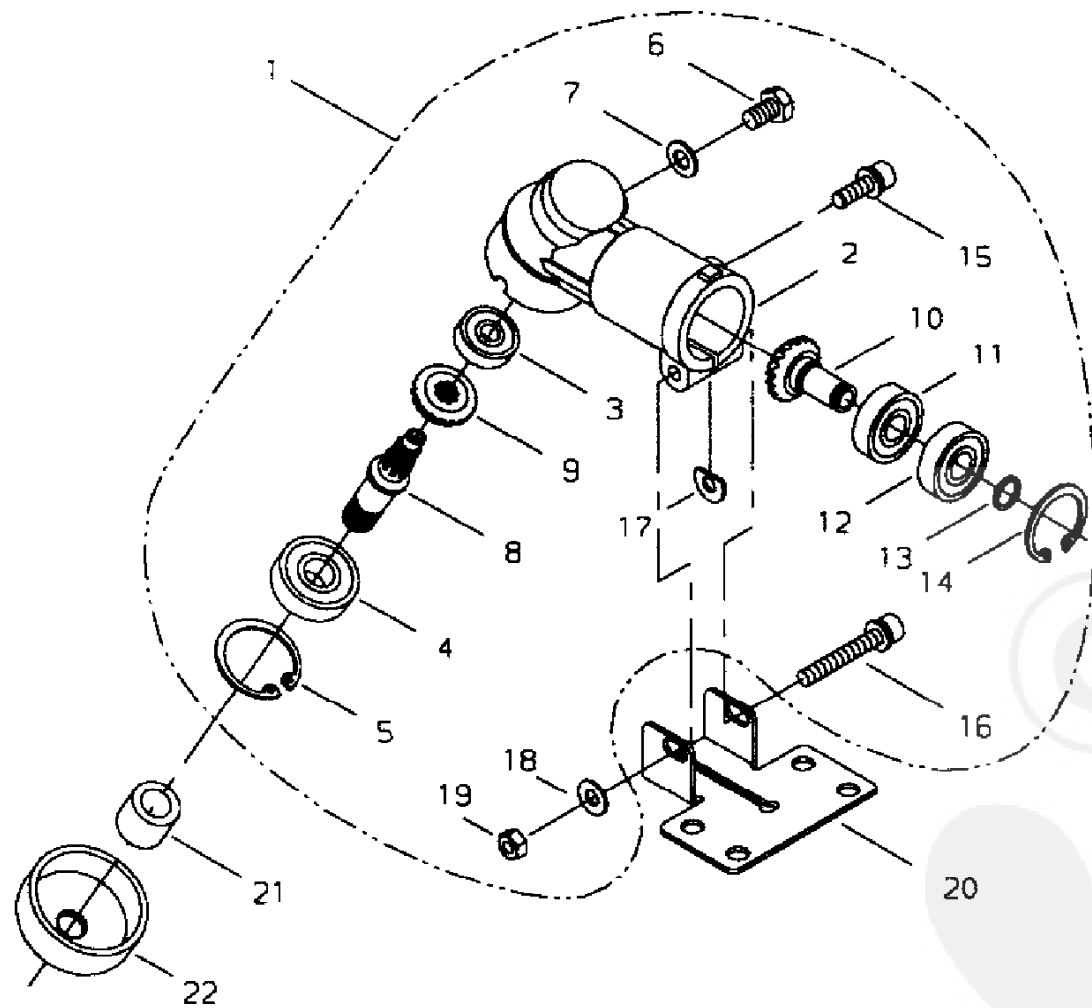
7- 1	62002-85013	FUELTANKASSY	1	
2	20142-85113	*FUELTANK	1	
3	70168-85201	*FUELCAPASSY	1	
4	70168-85210	**FUELCAP	1	
9	20000-85221	**GASKET	1	
10	20140-85310	*FUELPIPE	1	
11	20020-85540	*CLIP	3	
12	20016-85400	*FUELFILTER	1	
13	20112-85361	*PIPE	1	
14	72933-85620	*JOINT	1	
15	20035-85522	*VALVE	1	
16	20020-85540	CLIP	1	
17	37013-85310	CLIP	1	
18	62902-85320	TANKGUARD	1	
19	67000-86310	BRACKET	1	
20	11024-04300	BOLTSW	2	
21	11206-05180	SCREWPM	2	
22	11206-05350	SCREWPMSPW	2	
23	20087-86130	TANKCUSHION	1	
24	20087-86141	TANKCUSHION	2	



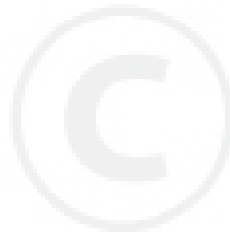


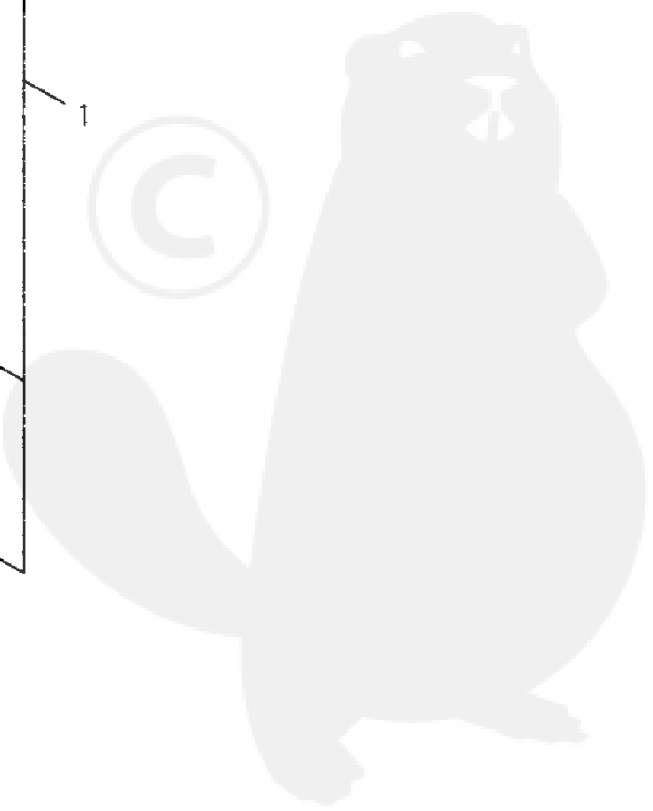
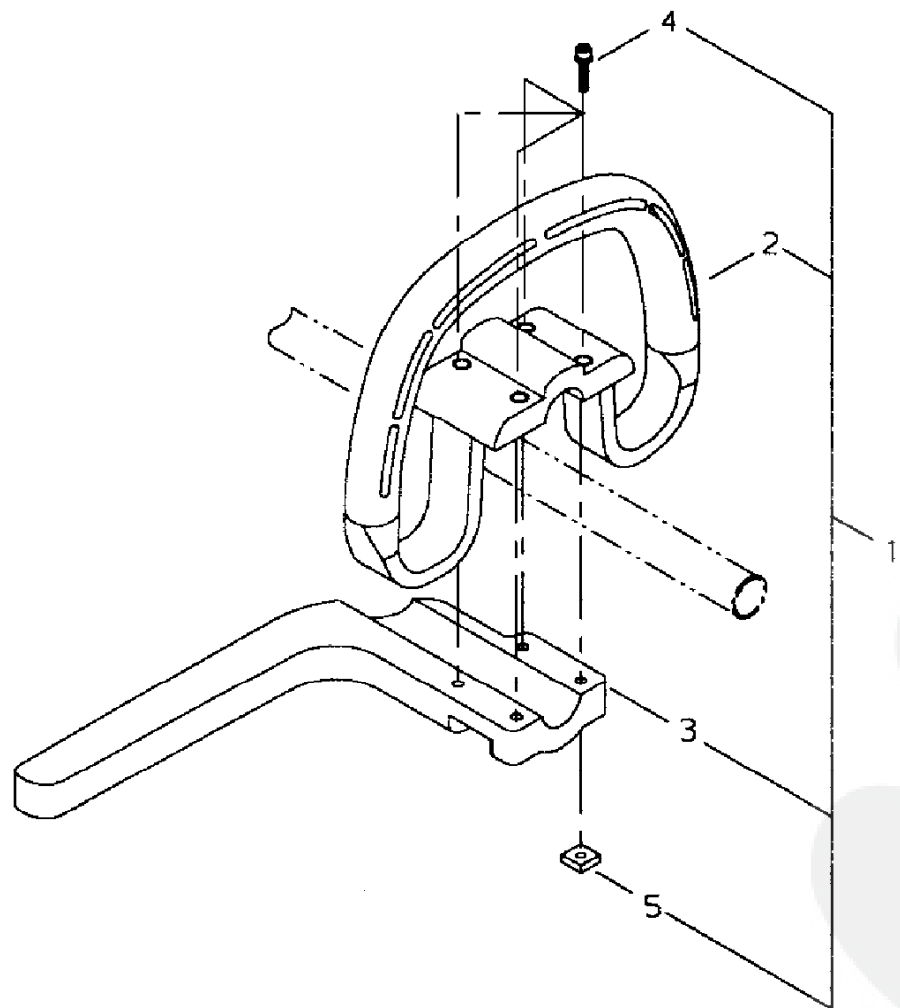
8- 1	22554-12101	OUTERPIPECOMP	1	
2	22553-12110	*OUTERPIPE	1	
3	22410-12120	*BUSH	5	
4	63901-62140	GRIP	1	
5	22070-12410	MAINSHAFT	1	
6	22410-12210	HANGER	1	
7	01020-05120	BOLT	1	
8	01500-05041	NUT	1	
9	65006-62310	PROTECTOR	1	
10	63002-62161	THROTTLELEVERASSY	1	
11	63002-62320	*BODYRIGHT	1	
12	63002-62330	*BODYLEFT	1	
13	63002-62340	*LEVER	1	
14	63901-62352	*LOCKLEVER	1	
15	63002-62350	*HOLDER	1	
16	63880-65350	*COILSPRING	1	
17	63901-62370	*COILSPRING	1	
18	63002-62360	*SWITCH	1	
19	63880-65360	*SCREWTAPPING	3	
20	11206-05201	*SCREWPMPSPW	1	
21	01501-05030	*NUT	1	
22	63880-65411	*PLUG	1	
23	63002-62170	THROTTLECABLE	1	
24	01501-06041	NUT	2	
25	22422-14540	TUBE	1	
26	19402-00223	LABELCAUTION	1	
27	19422-00010	LABELCAUTION	1	
28	19404-00035	LABELDECIBEL	1	
29	72017-12150	HANDLELABEL	1	



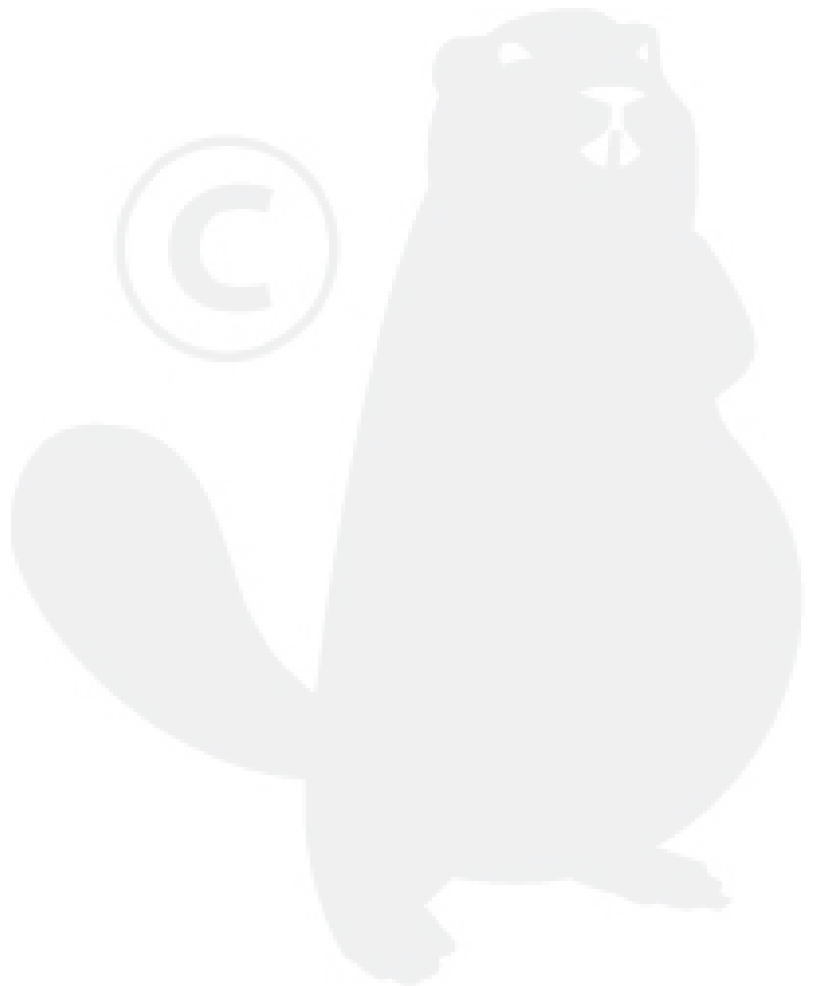


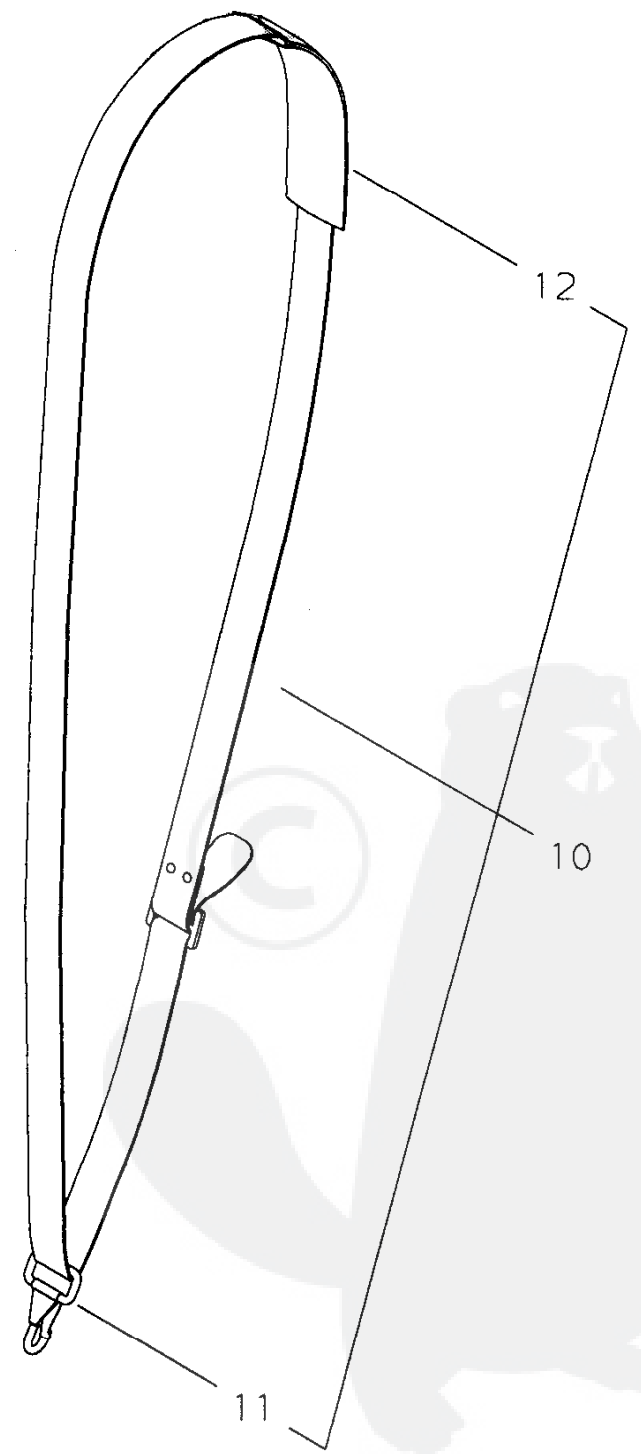
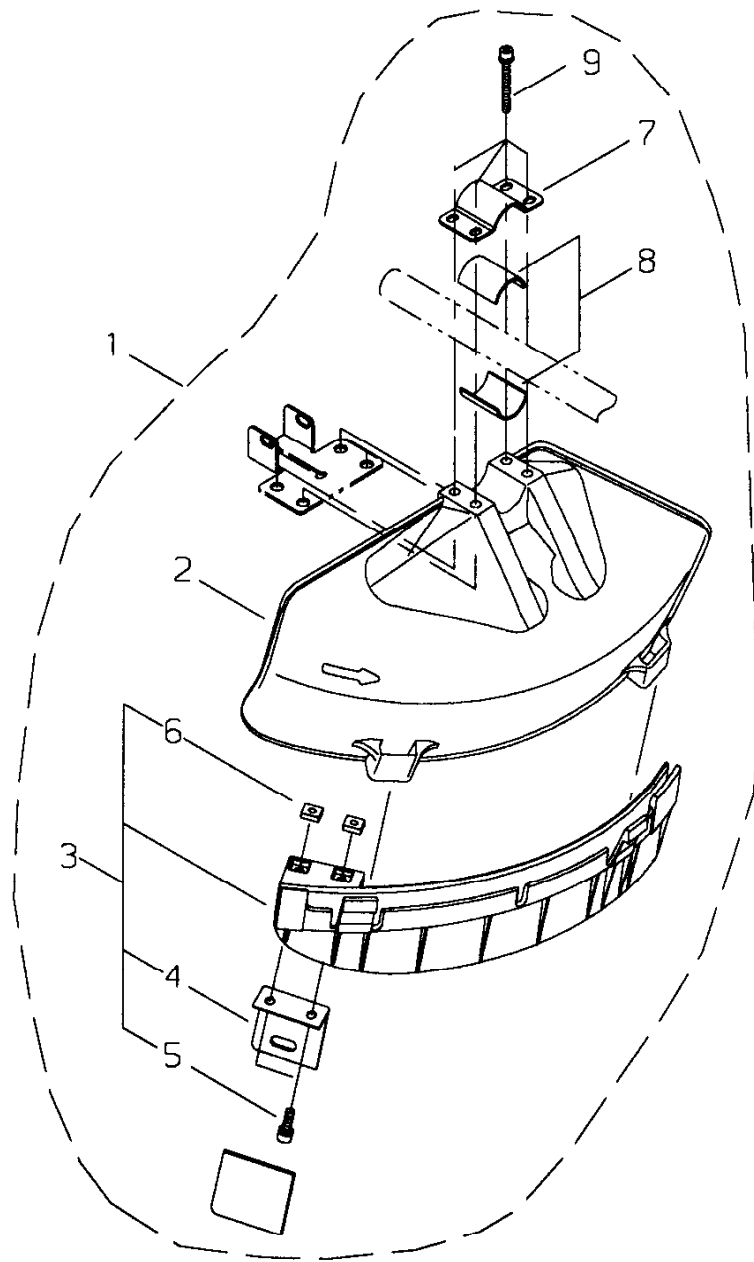
9- 1	67007-63021	GEARCASESUBASSY	1	
2	22035-13113	*GEARCASE	1	
3	02000-00626	*BEARING	1	
4	37004-63310	*BEARING	1	
5	02432-26120	*SNAPRING	1	
6	01014-06100	*BOLT	1	
7	22000-13410	*GASKET	1	
8	22410-13210	*GEARSHAFT	1	
9	22035-13220	*BEVELGEAR	1	
10	22035-13391	*PINIONSET	1	
11	02000-00608	*BEARING	1	
12	02002-00608	*BEARING	1	
13	22035-13340	*SNAPRING	1	
14	02432-22100	*SNAPRING	1	
15	11022-05160	*BOLTSPW	1	
16	11022-05350	*BOLTSPW	1	
17	22000-13420	*SHIM	1	
18	01613-05080	*WASHER	1	
19	01500-05041	*NUT	1	
20	72480-16130	LOWERCLAMP	1	
21	72432-13230	COLLAR	1	
22	72432-13240	HOLDER	1	





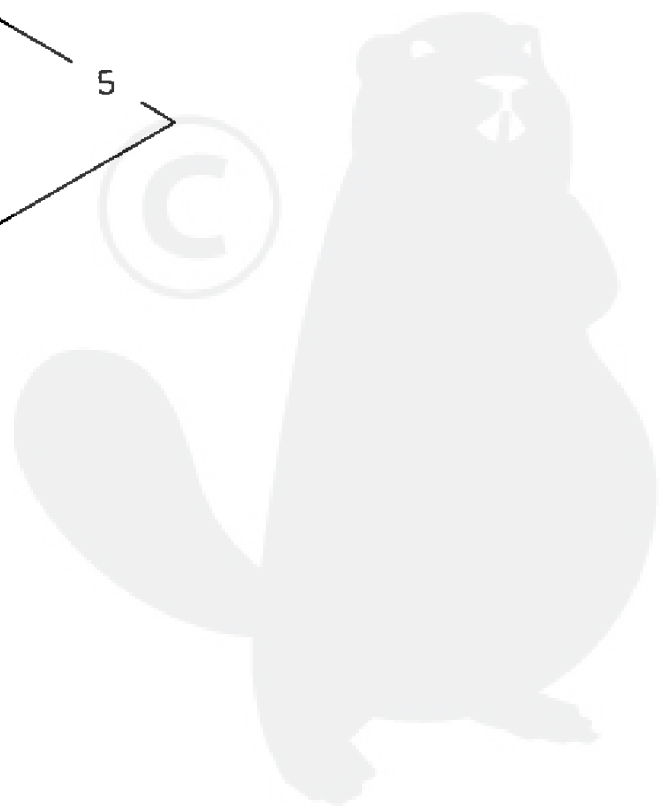
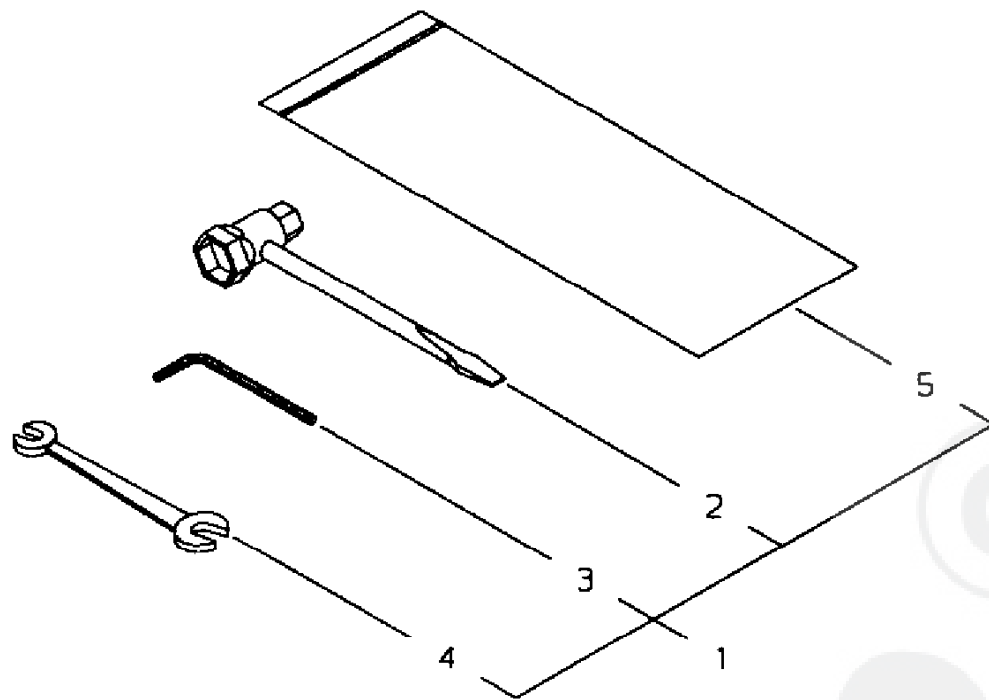
10- 1	62002-64011	HANDLE	1	
2	62901-64322	*HANDLE	1	
3	65011-64120	*BARRIER	1	
4	11022-05350	*BOLTSPW	4	
5	22420-16120	*NUT	4	





11- 1	62903-66321	GUARDSET	1	
2	62903-66110	*GUARD	1	
3	62903-66331	*SUBGUARDASSY	1	
4	72480-16121	**CUTTER	1	
5	11020-05160	**BOLTSW	2	
6	22420-16120	**NUT	2	
7	72480-16210	*UPPERCLAMP	1	
8	72480-16220	*SPACER	2	
9	11022-05450	*BOLTSPW	4	
10	22410-17202	STRAPASSY	1	
11	37013-67310	*HOOK	1	
12	22007-17220	*PROTECTOR	1	





12- 1	22410-91000	TOOLSET	1	
2	22000-91181	*PLUGWRENCH	1	
3	09026-04001	*HEXAWRENCH	1	
4	22000-91120	*SPANNER	1	
5	19639-01400	*TOOLBAG	1	

