

shindaiwa

PARTS PRICE LIST

T 2 3 E

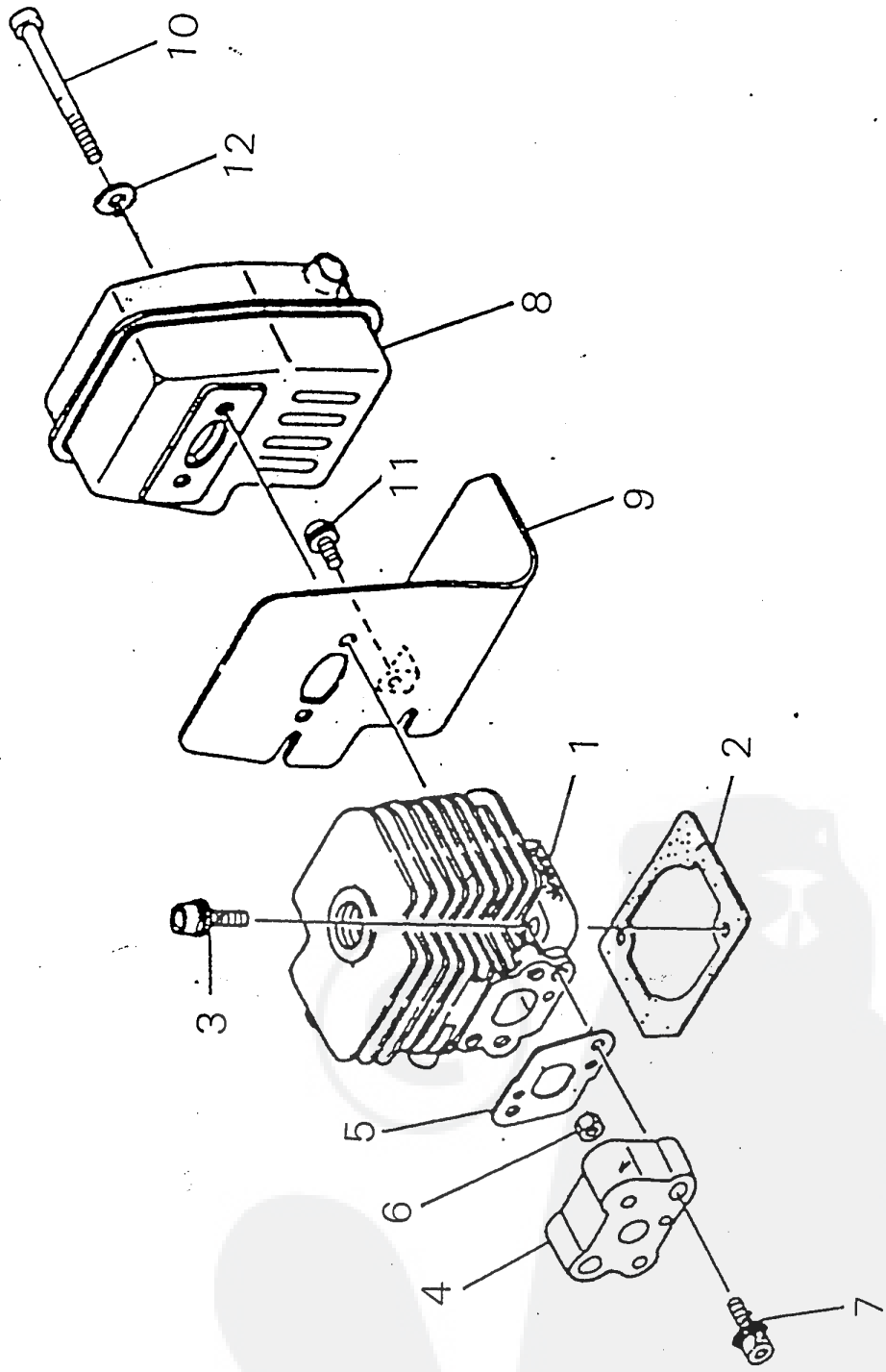
SHIN-DAIWA KOGYO Co., LTD.

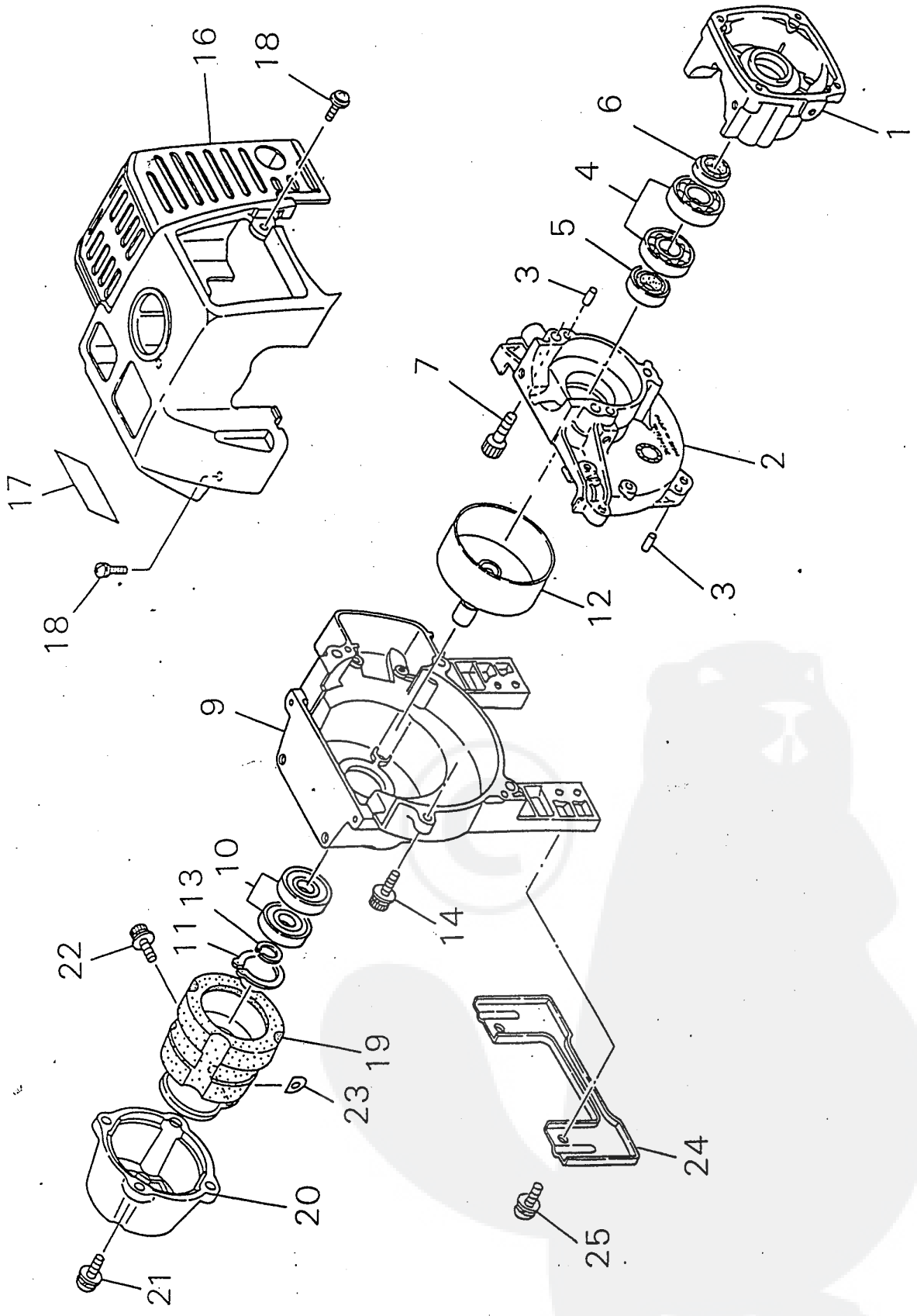
35, Ooaza Shin-Ujigami, Chiyoda-cho Yamagata-gun, Hiroshima, 731-15 Japan

Telephone (082672) 6019 SDKHIR Fax (082672) 7005

T23E/VK

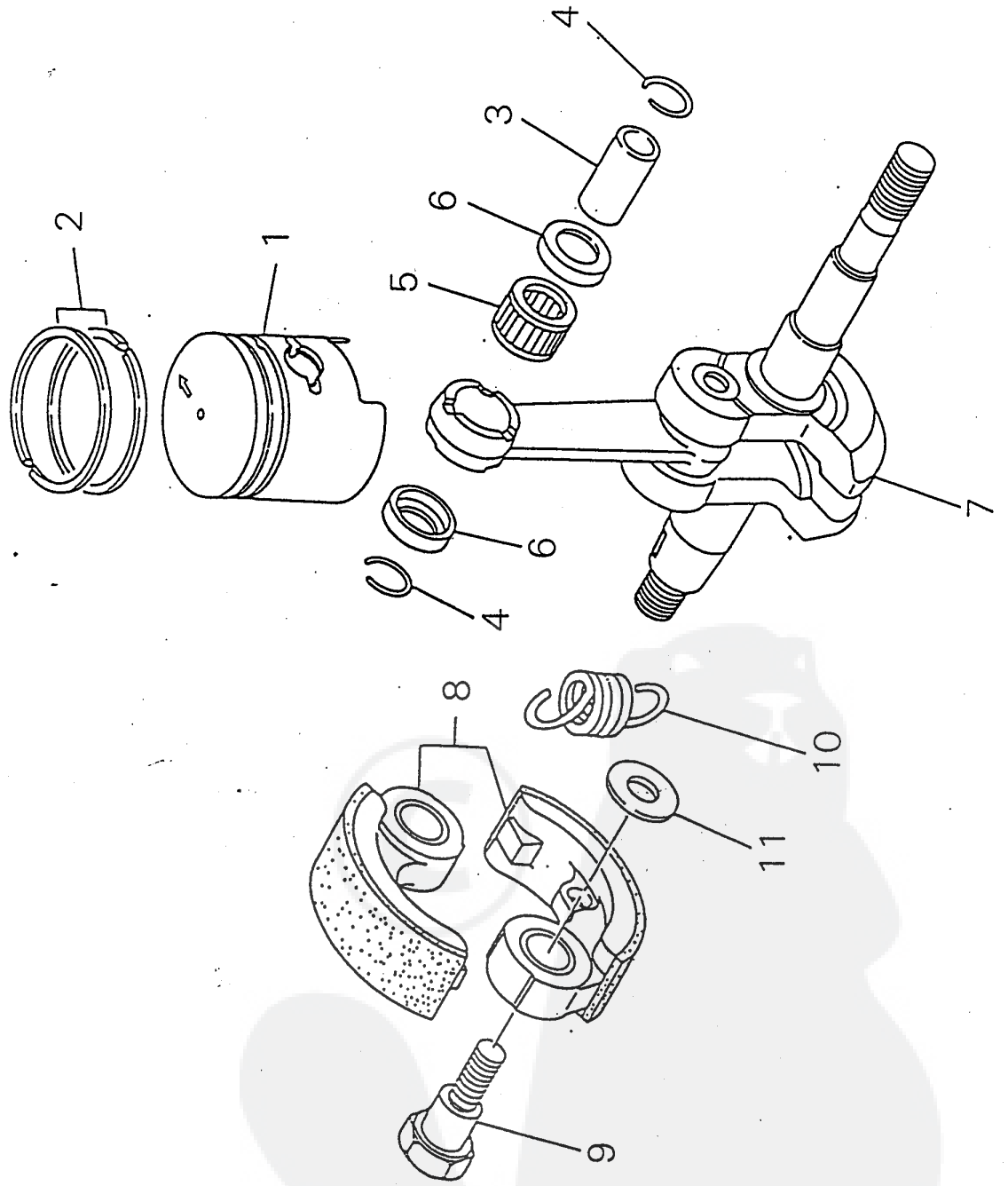
SEP. 1. 1994





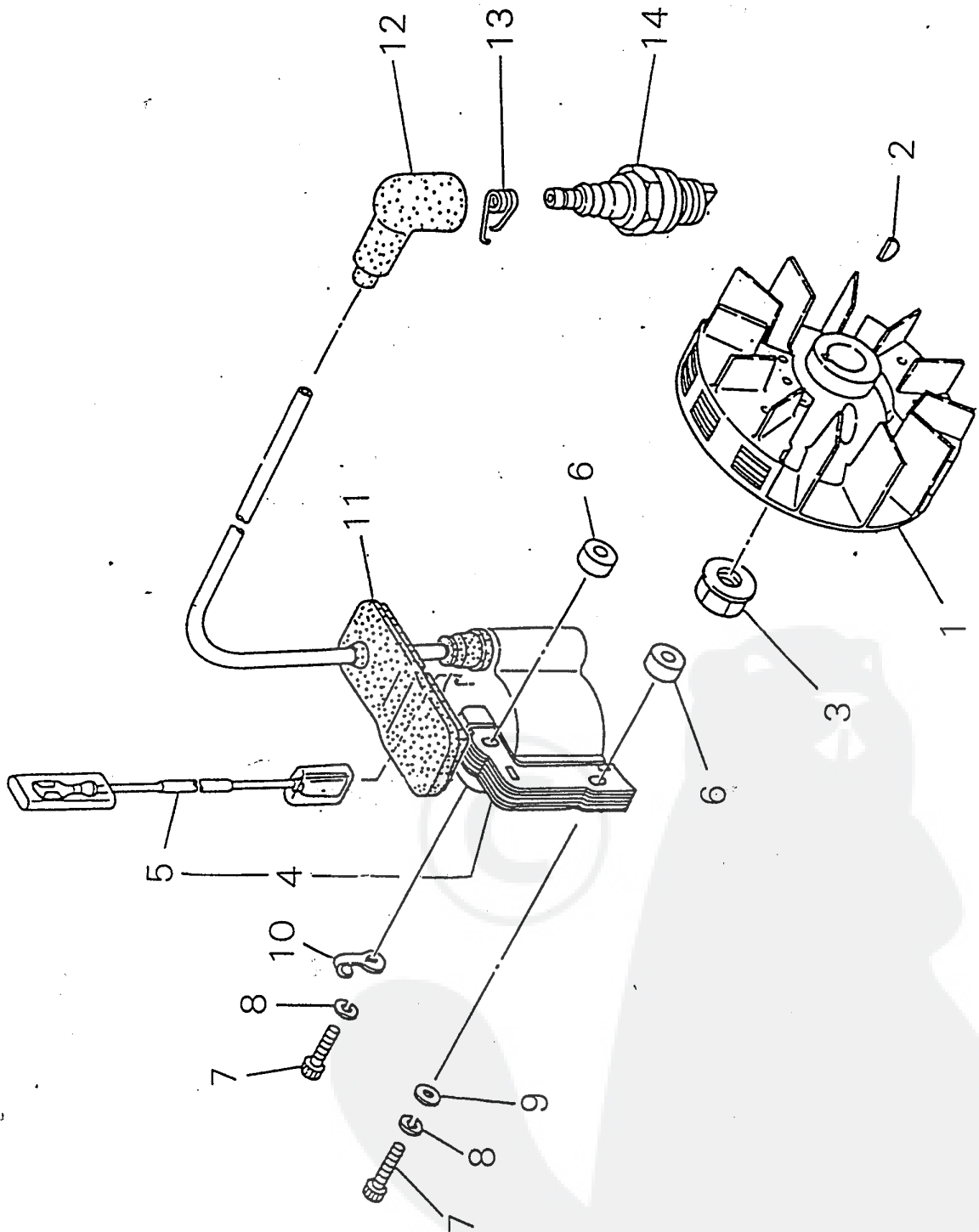
PRICE:(¥)

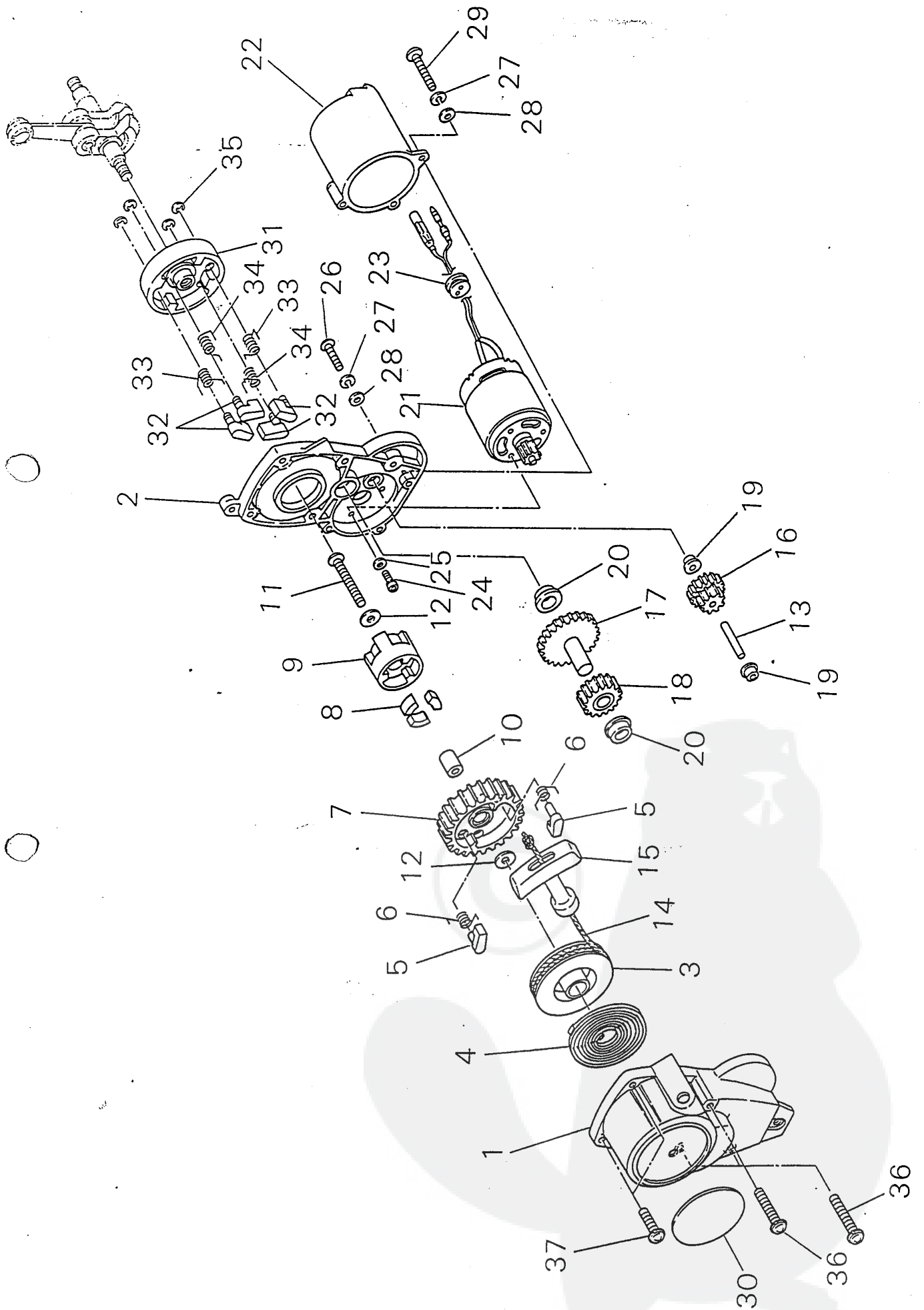
Ref. No	Part No.	Part Name	Qty	Unit Price	Remarks
2-	20036-21003	CRANK CASE ASSY	1	8,350	
1	20036-21111	· CRANK CASE S	1	3,300	
2	20036-21122	· CRANK CASE M	1	3,450	
3	12492-40080	· ROLLER	4	50	
4	12900-60010	· BEARING	2	320	
5	20000-21211	· OIL SEAL	1	270	
6	22150-21250	· OIL SEAL	1	180	
7	01020-05250	· BOLT	3	40	
	70109-31101	FAN COVER ASSY	1	7,110	
9	70109-31111	· FAN COVER	1	3,100	
10	02006-06000	· BEARING	2	480	
11	02432-26120	· SNAP RING	1	40	
12	20035-31120	· CLUTCH DRUM	1	2,900	
13	22000-13320	· SNAP RING	1	40	
14	11022-05160	BOLT SPW	4	50	
16	20079-31210	CYLINDER COVER	1	1,900	
17	70109-31250	NAME PLATE	1	250	
18	20040-31330	SCREW PM SW L	3	20	
19	20035-31411	JOINT	1	2,570	
20	70036-31420	CAP JOINT	1	570	
21	11206-05160	SCREW PM SPW	2	20	
22	11023-05250	BOLT SW	1	50	
23	20035-31460	SHIM	1	20	
24	20077-33110	STAND	1	490	
25	11206-05120	SGREW PM SPW	2	20	



PRICE:(¥)

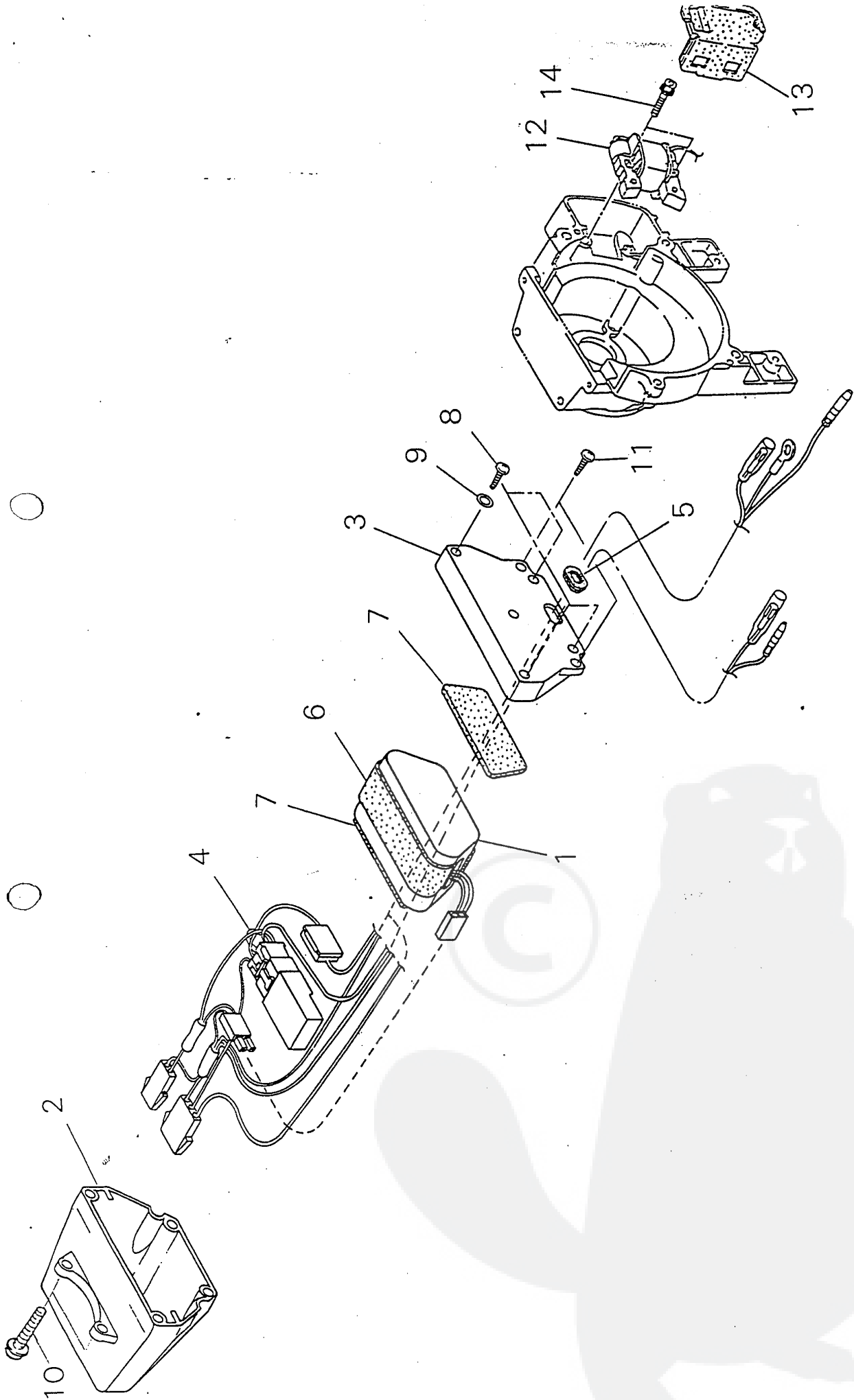
Ref. No	Part No.	Part Name	Qty	Unit Price	Remarks
3- 1	20075-41110	PISTON	1	2,000	
2	20000-41210	PISTON RING	2	360	
3	20075-41310	PISTON PIN	1	270	
4	70030-41320	SNAP RING	2	20	
5	70030-41330	NEEDLE BEARING	1	580	
6	70030-41340	THRUST WASHER	2	170	
7	20035-42002	CRANK SHAFT ASSY	1	9,600	
	20035-51101	CLUTCH SHOE ASSY	1	2,620	
8	20035-51111	• CLUTCH SHOE	2	970	
9	20000-51212	• BOLT	2	210	
10	20035-51221	• CLUTCH SPRING	1	150	
11	22100-71430	• WASHER	2	30	





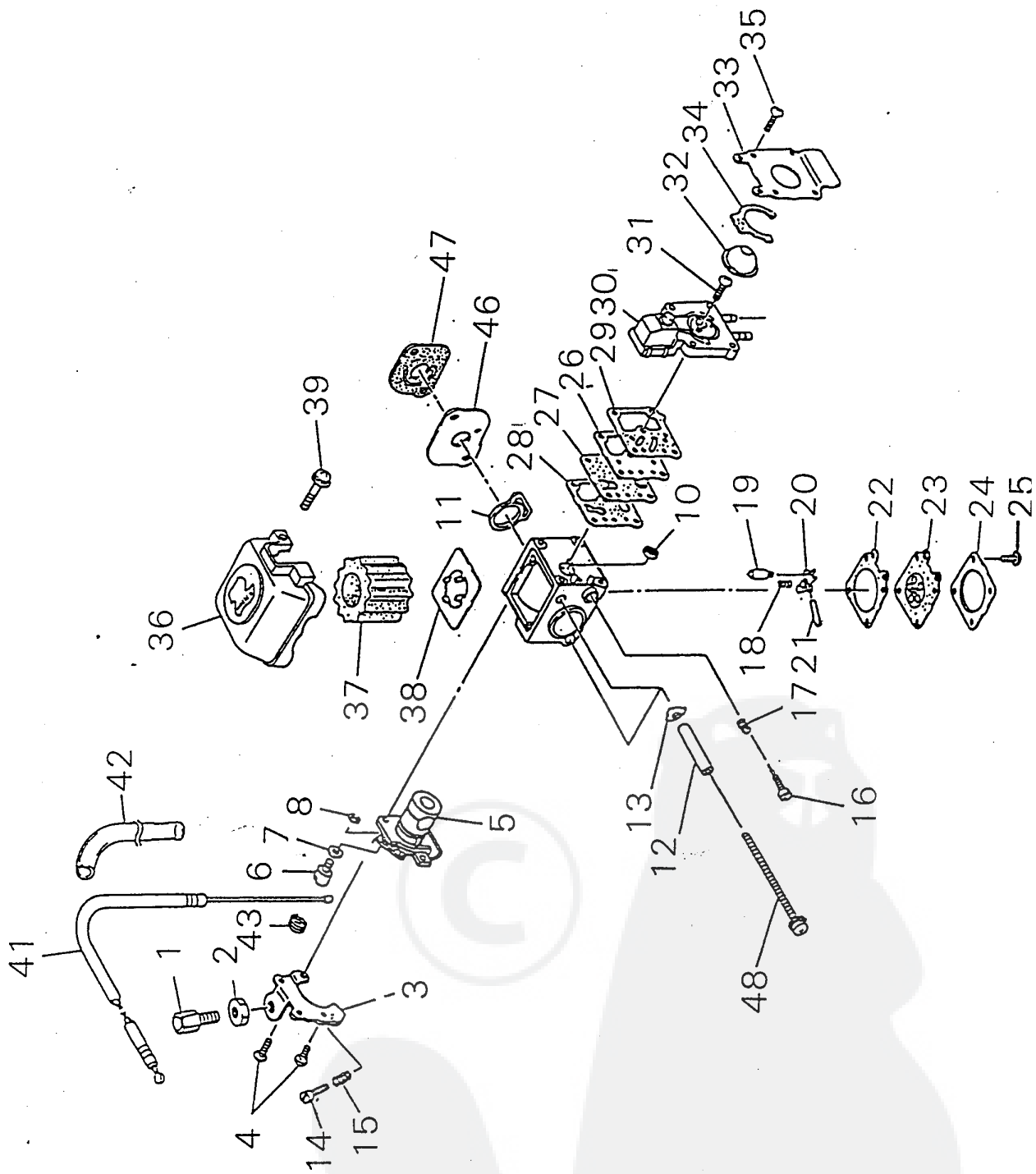
PRICE:(¥)

Ref. No	Part No.	Part Name	Q'ty	Unit Price	Remarks
5-	20079-77100	STARTER SUB ASSY	1	25,000	
1	20079-77110	• STARTER CASE COMP	1	2,660	
2	20079-77120	• STARTER COVER COMP	1	1,540	
3	20079-77130	• REEL	1	460	
4	70030-75130	• RECOIL SPRING	1	620	
5	20079-77140	• RATCHET	2	100	
6	20079-77150	• RETURN SPRING	2	110	
7	20079-77160	• GEAR	1	630	
8	20079-77170	• DAMPER	3	180	
9	20079-77180	• CAM	1	320	
10	20079-77190	• COLLAR	1	240	
11	20079-77210	• SCREW	1	100	
12	70030-75140	• WASHER	2	60	
13	20079-77220	• SHAFT	1	180	
14	20079-77230	• ROPE	1	300	
15	20079-77240	• STARTER KNOB	1	250	
16	20079-77250	• GEAR	1	700	
17	20079-77260	• GEAR COMP	1	3,080	
18	20079-77270	• CLUTCH GEAR COMP	1	4,690	
19	20079-77280	• BUSH	2	140	
20	20079-77290	• BUSH	2	300	
21	20079-77310	• MOTOR COMP	1	10,500	
22	20079-77320	• MOTOR COVER	1	910	
23	20079-77330	• GROMMET	1	420	
24	11020-03080	• BOLT SW	3	220	
25	01613-03050	• WASHER	3	10	
26	20079-77340	• SCREW TAPPING	1	10	
27	01600-04100	• SPRING WASHER	4	10	
28	20079-77350	• WASHER	4	10	
29	20079-77360	• SCREW TAPPING	3	40	
30	20064-75250	NAME PLATE	1	120	
	20079-77500	STARTER PULLY SUB ASSY	1	2,400	
31	20079-77510	• STARTER PULLEY	1	1,720	
32	20079-77520	• RATCHET	4	140	
33	20079-77530	• RETURN SPRING	2	110	
34	20079-77540	• RETURN SPRING	2	110	
35	70030-75240	• E RING	4	30	
36	20079-75420	SCREW PM SW	2	30	



PRICE:(¥)

Ref. No	Part No.	Part Name	Qty	Unit Price	Remarks
6-	20079-78000	BATTERY ASSY	1	15,000	
1	20079-78110	• BATTERY COMP	1	10,000	
2	20079-78120	• BATTERY CASE COMP	1	1,000	
3	20079-78130	• BATTERY COVER COMP	1	680	
4	20079-78140	• RELAY SUB ASSY	1	5,700	
5	20079-78150	• GROMMET	1	230	
6	20079-78160	• CUSHION	1	80	
7	20079-78170	• CUSHION	2	20	
8	20079-77340	• SCREW TAPPING	4	10	
9	01600-04100	• SPRING WASHER	4	10	
10	11206-05250	SCREW PM SPW	2	20	
11	11206-05160	SCREW PM SPW	2	20	
12	20077-79110	CHARGE COIL	1	3,200	
13	20077-79121	AIR SEAL	1	410	
14	11022-04160	BOLT SPW	2	40	

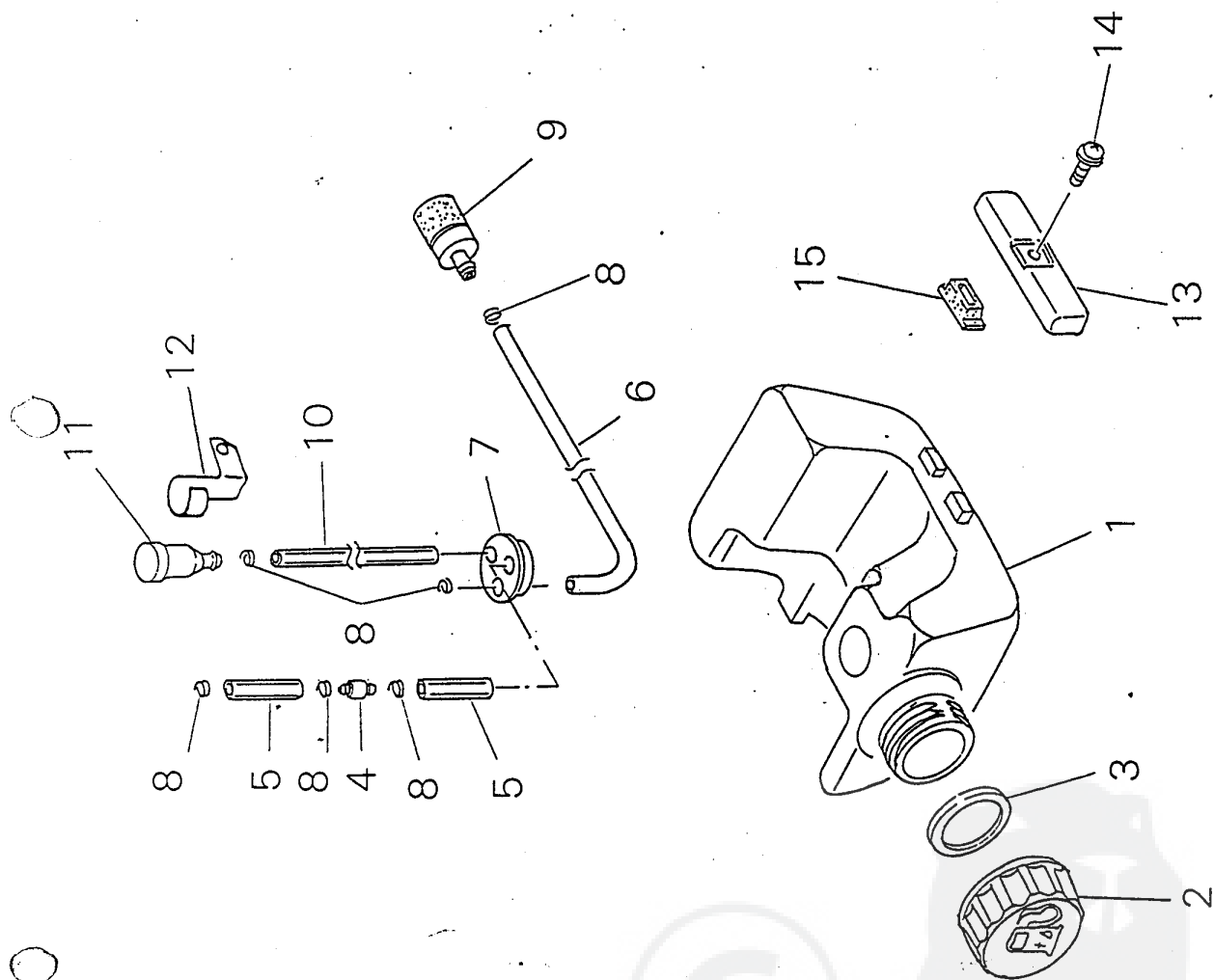


PRICE: (¥)

Ref. No	Part No.	Part Name	Q'ty	Unit Price	Remarks
7-	20077-81000	CARBURETOR ASSY	1	6,670	
1	20036-81110	• CABLE ADJUSTER	1	340	
2	20036-81120	• NUT	1	80	
3	20036-81132	• CABLE BRACKET	1	600	
4	20036-81290	• SCREW	2	120	
5	20036-81182	• VALVE ASSY	1	1,370	
6	70029-81450	• CABLE RECIVE	1	300	
7	20036-81185	• WASHER	1	60	
8	20036-81195	• E RING	1	60	
10	70030-81380	• SCREEN	1	110	
11	20036-81251	• RING GASKET	1	330	
12	20036-81260	• SLEEVE	2	160	
13	20036-81270	• SLEEVE PLATE	1	110	
14	20036-81310	• SLOW STOP SCREW	1	170	
15	20036-81320	• SPRING	1	110	
16	20036-81351	• ADJUST SCREW	1	850	
17	20036-81360	• SPRING	1	110	
18	22100-81270	• SPRING LEVER	1	180	
19	20036-81440	• NEEDLE VALVE	1	660	
20	22100-81230	• LEVER	1	220	
21	22100-81250	• PIN	1	120	
22	20036-81510	• GASKET DIAPHRAGM	1	100	
23	22100-81260	• DIAPHRAGM ASSY	1	980	
24	22100-81280	• COVER DIAPHRAGM	1	360	
25	20036-81140	• SGREW	4	140	
26	20036-81610	• PUMP PLATE	1	180	
27	20036-81620	• DIAPHRAGM	1	310	
28	20036-81630	• PUMP GASKET	1	190	
29	20036-81640	• PLATE GASKET	1	560	
30	20036-81650	• PUMP BASE COMP	1	1,370	
31	20036-81660	• SCREW	4	150	
32	20036-81670	• PRIMER PUMP	1	750	
33	20036-81681	• PUMP BRACKET	1	390	
34	20036-81690	• GASKET	1	480	
35	20036-81660	• SCREW	1	150	
36	20077-81710	• CLEANER COVER	1	490	
37	20036-81740	• FILTER	1	230	
38	20036-81750	• CLEANER PLATE	1	220	

PARTS LIST
SHINDAIWA
(L138 LIA0380P)

T23E/VK

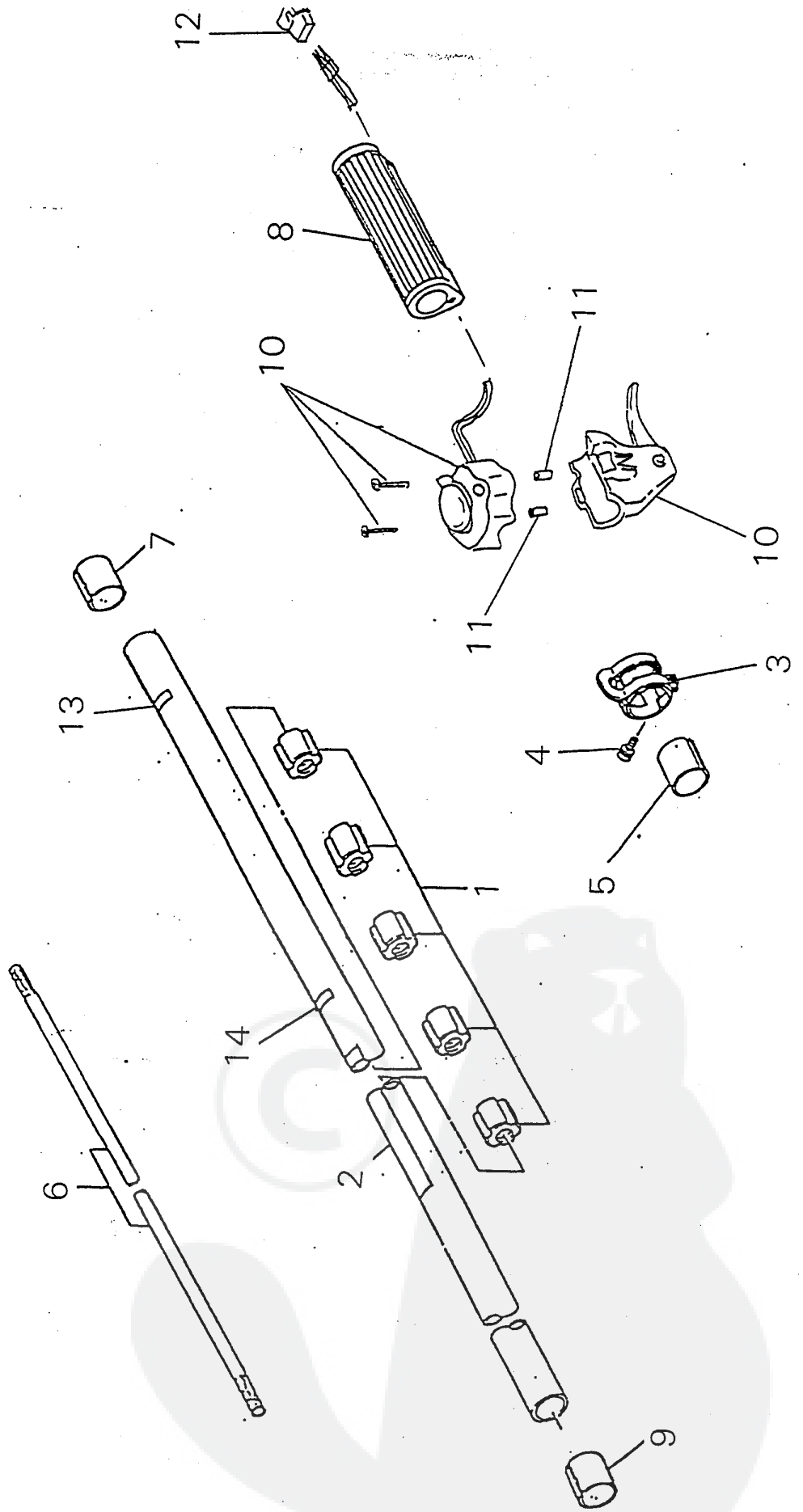


PRICE:(¥)

Ref. No	Part No.	Part Name	Qty	Unit Price	Remarks
8-	20077-85002	FUEL TANK ASSY	1	5,650	
1	20077-85111	• FUEL TANK	1	1,550	
	70043-85200	• FUEL CAP SUB ASSY	1	220	
2	70043-85210	•• FUEL CAP	1	170	
3	20000-85220	•• GASKET FUEL	1	60	
4	20077-85320	• CHECK VALVE	1	500	
5	20077-85330	• PIPE	2	40	
6	20077-85310	• PIPE	1	100	
7	20018-85350	• GROMMET	1	200	
8	20020-85540	• CLIP	6	30	
9	20016-85400	• FUEL FILTER	1	550	
10	20035-83310	• PIPE	1	40	
11	20035-85522	VALVE	1	620	
12	20035-85611	CLAMP	1	200	
13	20077-86111	• TANK HOLDER	1	780	
14	11206-05120	• SCREW PM SPW	1	20	
15	20024-86120	• TANK CUSHION	4	100	

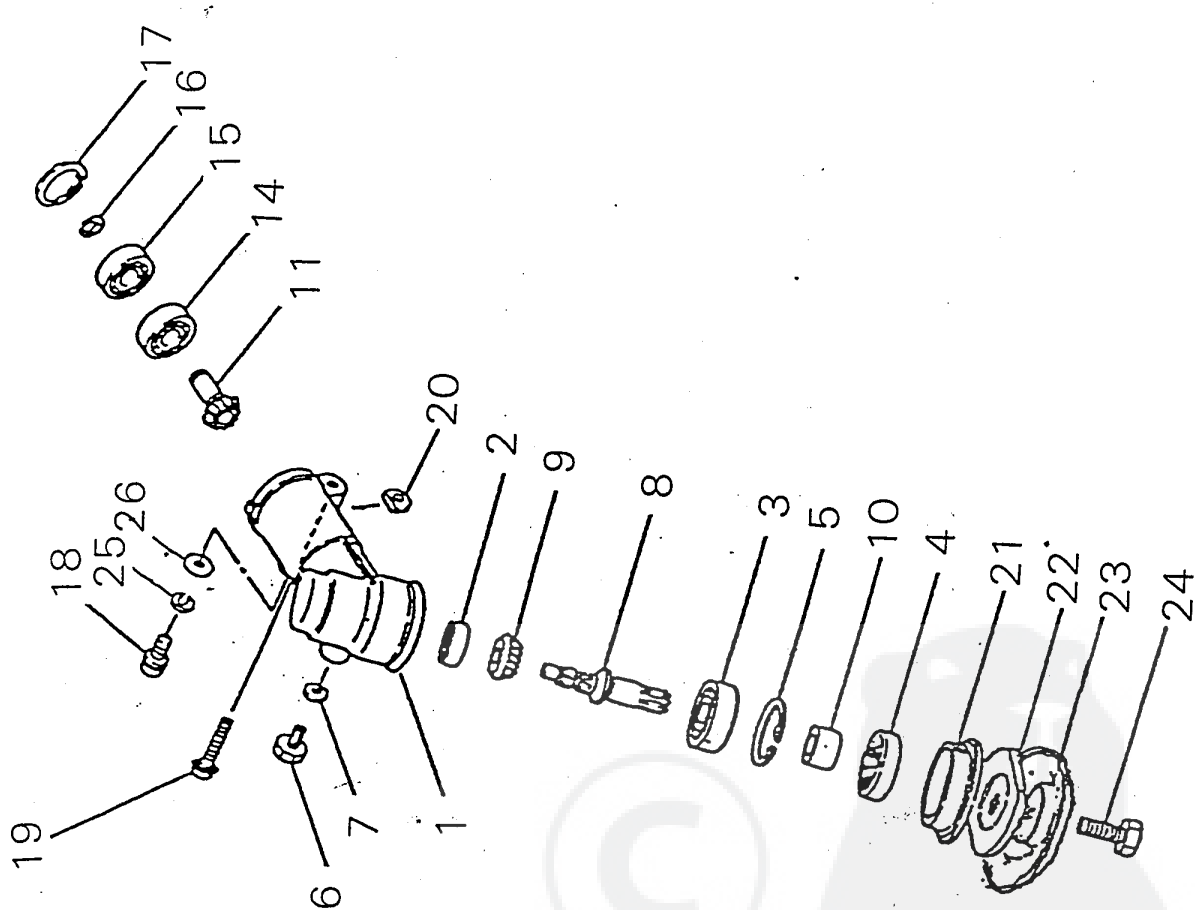
PARTS LIST
SHINDAIWA
(LI38 LIA0380P)

T23E/VK



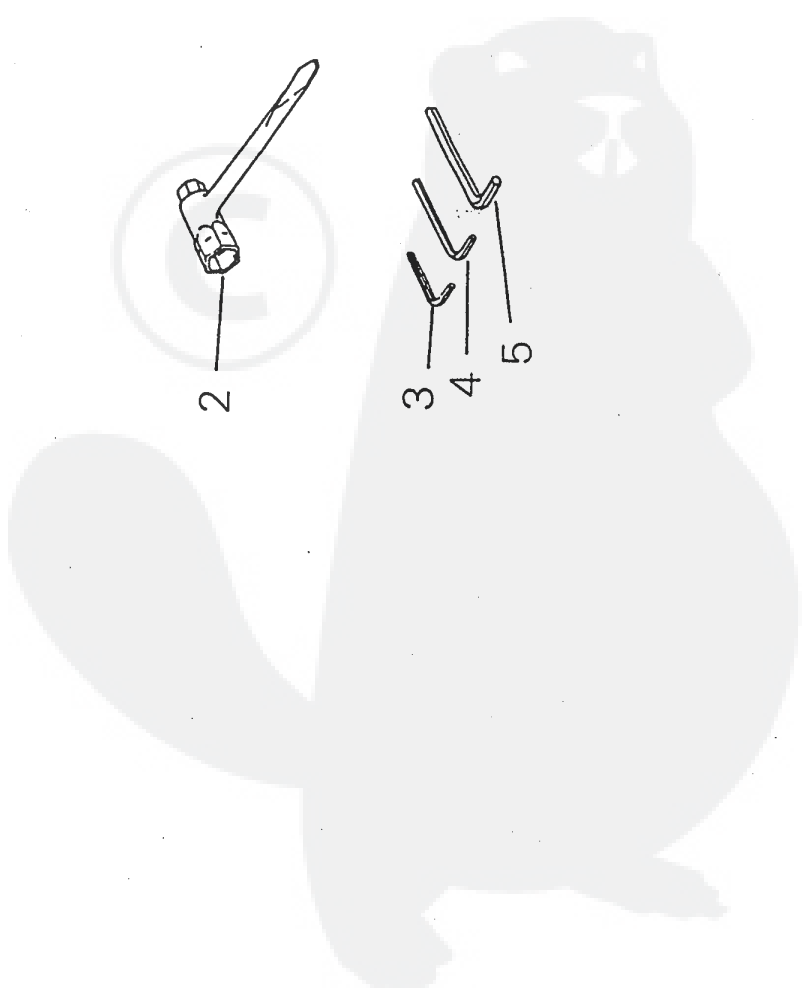
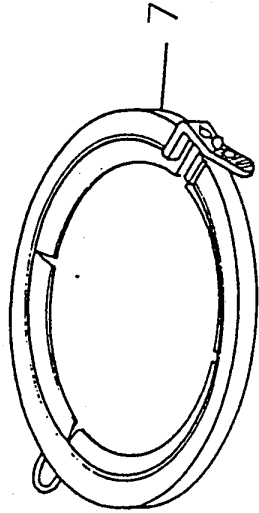
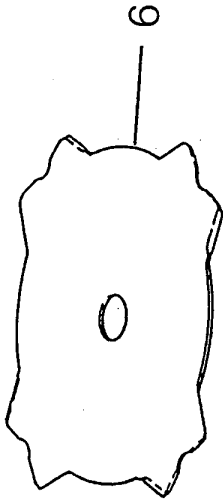
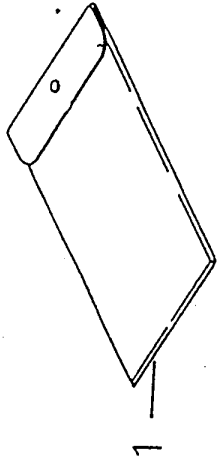
PRICE:(¥)

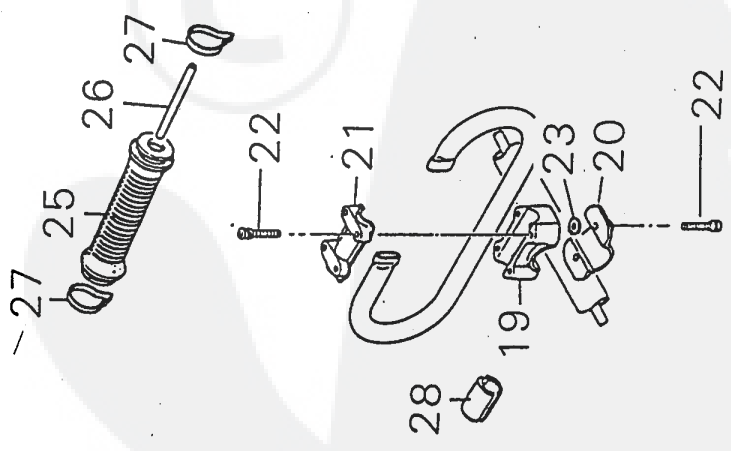
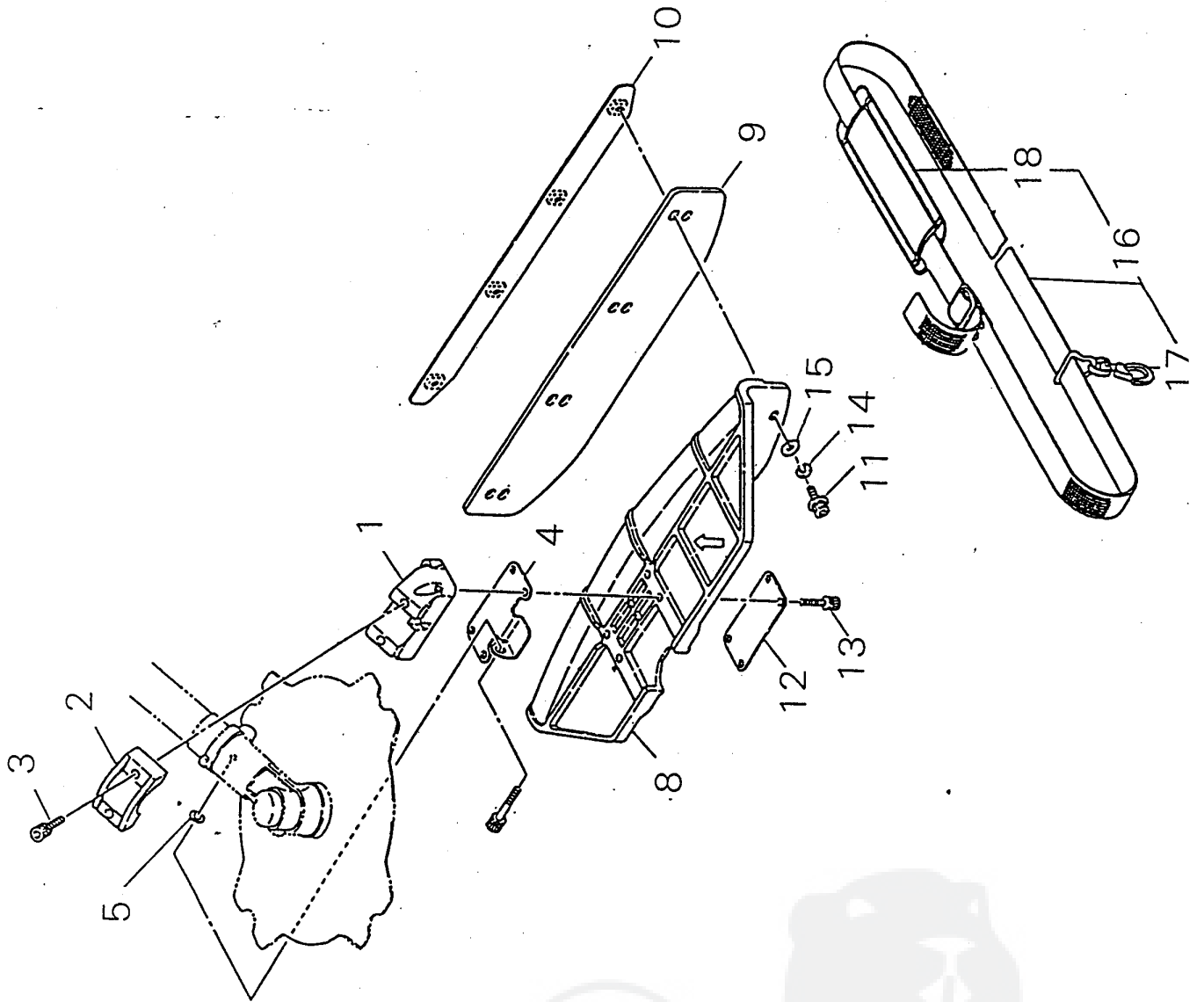
Ref. No	Part No.	Part Name	Q'ty	Unit Price	Remarks
9-	72449-12100	OUTER PIPE SUB ASSY	1	7,400	
1	22035-12120	• BUSH	5	370	
13	72444-12140	• CAUTION PLATE	1	100	
14	72444-12150	• HANDLE LABEL	1	80	
8	22036-12612	• GRIP	1	600	
2	72443-12510	NAME PLATE	1	300	
3	22035-12210	SWIVEL HANGER	1	470	
4	11206-05120	SCREW PM SPW	1	20	
5	22035-12220	SPACER	1	180	
6	22035-12410	MAIN SHAFT	1	2,650	
7	22036-14130	SPACER	1	200	
9	22035-12220	SPACER	1	180	
10	72471-12401	THROTTLE LEVER ASSY	1	3,710	
11	72471-12610	SPACER	1	40	
12	20079-83150	CONNECTOR	1	100	



PRICE:(¥)

Ref. No	Part No.	Part Name	Q'ty	Unit Price	Remarks
10-	72444-13003	GEAR CASE ASSY #	1	14,500	
	72055-13013	* GEAR CASE SUB ASSY	1	11,800	
1	72055-13112	** GEAR CASE	1	3,100	
2	02006-00626	** BEARING	1	440	
3	02000-06000	** BEARING	1	320	
4	22035-13140	** OIL SEAL	1	290	
5	02432-26120	** SNAP RING	1	40	
6	01014-06100	** BOLT	1	20	
7	22000-13410	** GASKET	1	30	
8	22035-13211	** GEAR SHAFT	1	1,920	
9	22035-13220	** BEVEL GEAR	1	1,820	
10	22035-13230	** COLLAR	1	240	
11	22035-13391	** PINION SET	1	2,570	
14	02000-00608	** BEARING	1	300	
15	02002-00608	** BEARING	1	390	
16	22035-13340	** SNAP RING	1	30	
17	02432-22100	** SNAP RING	1	40	
18	01020-05120	** BOLT	1	30	
25	01600-05131	** SPRING WASHER	1	10	
26	01610-05080	** WASHER	1	10	
19	11020-05300	** BOLT SW	1	50	
20	22000-13420	** SHIM	1	20	
21	22035-13242	* HOLDER A	1	1,040	
22	22410-13251	* HOLDER B	1	890	
23	72444-13290	* STABILIZER	1	400	
24	22035-13271	* BOLT	1	130	



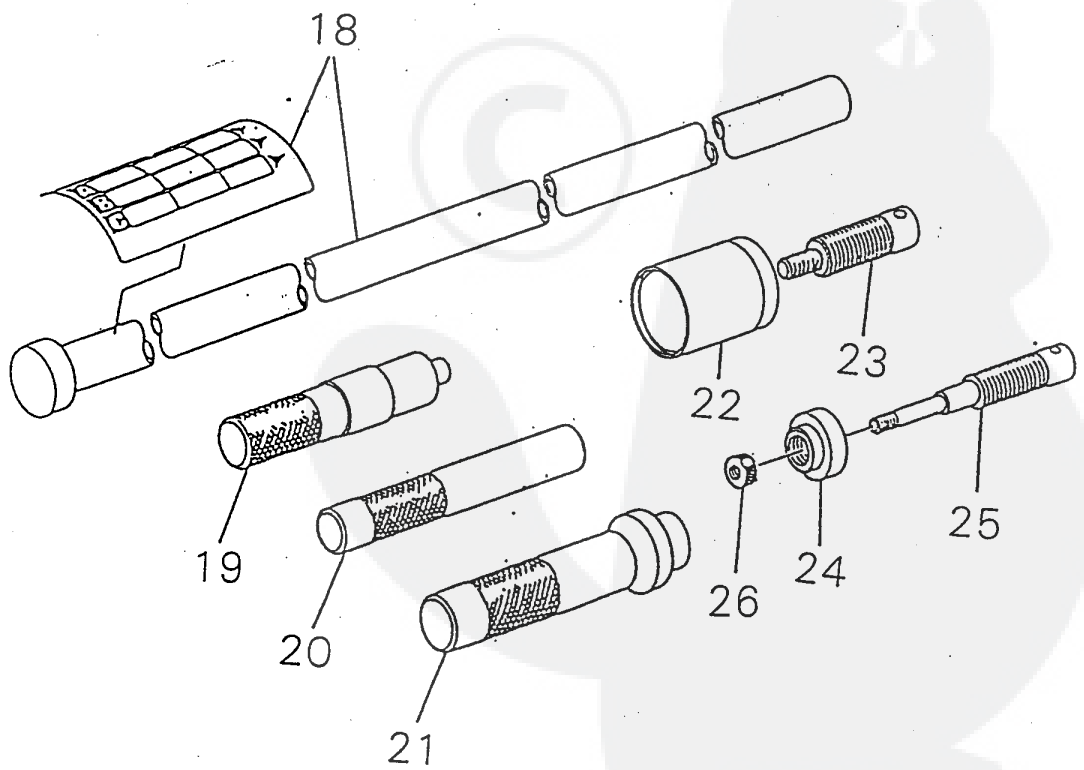
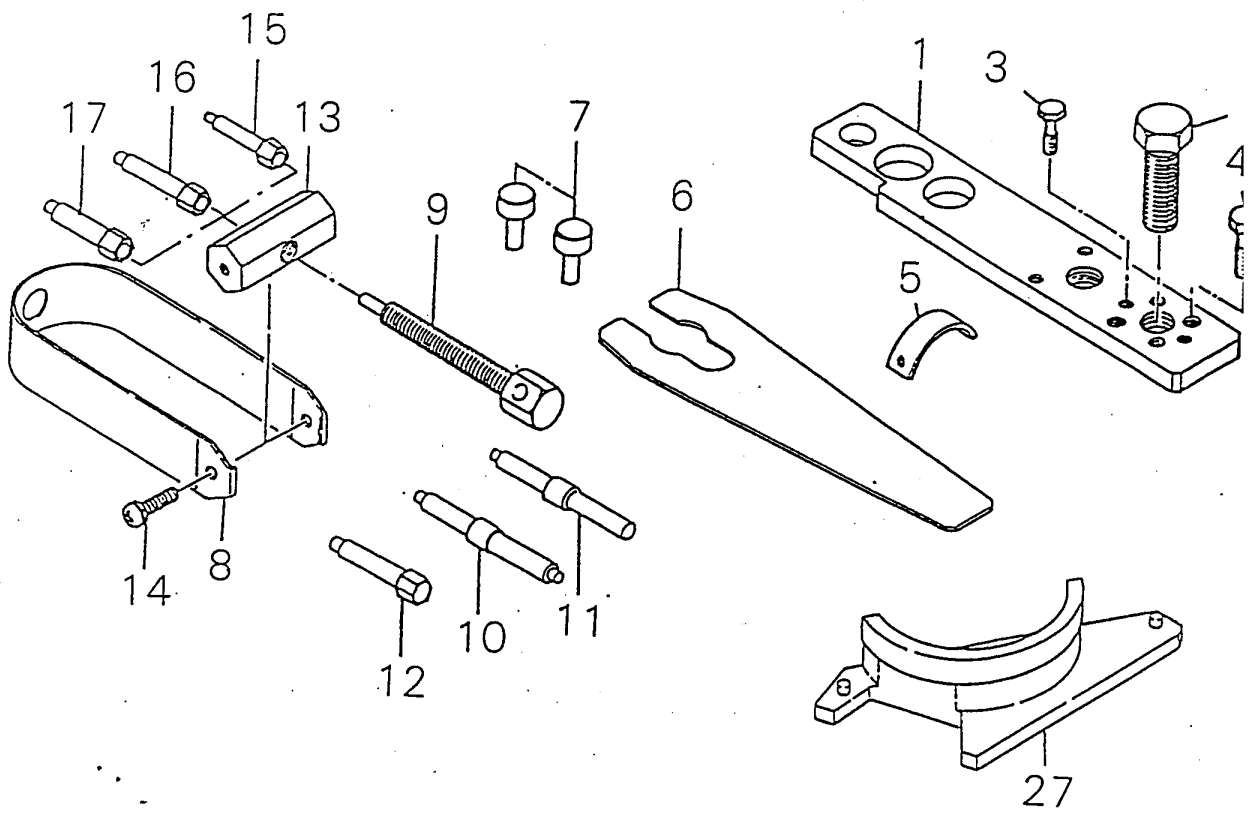


PRICE:(¥)

Ref. No	Part No.	Part Name	Qty	Unit Price	Remarks
12-	72444-16000	GUARD ASSY	1	6,750	
1	72444-16120	• GUARD BRACKET	1	430	
2	72444-16130	• GUARD CLAMP	1	260	
3	11022-05250	• BOLT SPW	2	50	
4	72444-16140	• LINK PLATE	1	320	
5	72444-16150	• WASHER	1	50	
8	72444-16210	• GUARD	1	2,600	
9	72444-16220	• SUB GUARD	1	950	
10	72444-16230	• BACK PLATE	1	640	
11	01020-05160	• BOLT	4	30	
12	72444-16250	• WASHER	1	110	
13	11022-05250	• BOLT SPW	4	50	
14	01600-05131	• SPRING WASHER	4	10	
15	01613-05080	• WASHER	4	10	
16	72036-17200	STRAP SUB ASSY	1	1,260	
17	22044-17220	• HOOK	1	360	
18	22044-17230	• PROTECTOR	1	260	
	72091-14100	BRACKET SUB ASSY	1	2,050	
19	72051-14110	• HANDLE BRACKET	1	750	
20	72051-14120	• LOWER CAP	1	430	
21	72051-14131	• UPPER CAP	1	490	
22	11022-05250	• BOLT SPW	6	50	
23	01610-05080	• WASHER	1	10	
	72441-14200	HANDLE ASSY	1	4,700	
25	22000-14220	• GRIP HANDLE	1	530	
26	22000-14230	• CORE GRIP	1	70	
27	22000-14241	• BAND GRIP	2	90	
28	22042-14260	• SPACER	2	80	

PARTS LIST
SHINDAIWA
(L138 LIA0380P)

T23E/VK



PRICE:(¥)

Ref. No	Part No.	Part Name	Qty	Unit Price	Remarks
13-	20000-96104	PULLER ASSY	1	5,080	
1	20000-96114	• LEVER	1	3,850	
2	22100-96121	• CENTER BOLT	1	620	
3	20000-96130	• BOLT	3	130	
4	20000-96140	• BOLT	2	170	
5	20000-96210	AIR GAP GAUGE	1	310	
6	20000-96411	ROTOR SPANNER	1	1,350	
7	20021-96420	STOPPER	2	190	
	20021-96601	PULLER ASSY	1	6,680	
8	20021-96611	• PULLER	1	320	
9	20021-96621	• BOLT	1	2,350	
10	20000-96631	• GUIDE PIN	1	560	
11	20035-96630	• GUIDE PIN	1	460	
12	20021-96630	• GUIDE PIN	1	420	
13	20000-96640	• BOSS	1	560	
14	01211-06120	• SCREW SW	2	20	
15	20021-96650	• PIN ADAPTER	1	590	
16	20021-96660	• PIN ADAPTER	1	660	
17	20021-96670	• PIN ADAPTER	1	720	
27	20077-96110	SET BLOCK	1	7,450	
18	22000-96101	ROD BUSHING ASSY	1	8,560	
19	22035-96210	ROD 626DDU	1	1,370	
20	22035-96310	ROD 608ZZ	1	1,180	
21	22035-96410	ROD 6000	1	2,250	
	22035-96500	PULLER SUB ASSY	1	1,650	
22	22035-96510	• PULLER	1	1,370	
23	22035-96520	• BOLT	1	390	
	22035-96600	PULLER SUB ASSY	1	1,200	
24	22035-96610	• HOLDER	1	580	
25	22000-96621	• BOLT	1	710	
26	22000-96630	• NUT	1	90	