

shindaiwa

PARTS PRICE LIST

T 2 7

SHIN-DAIWA KOGYO Co., LTD.

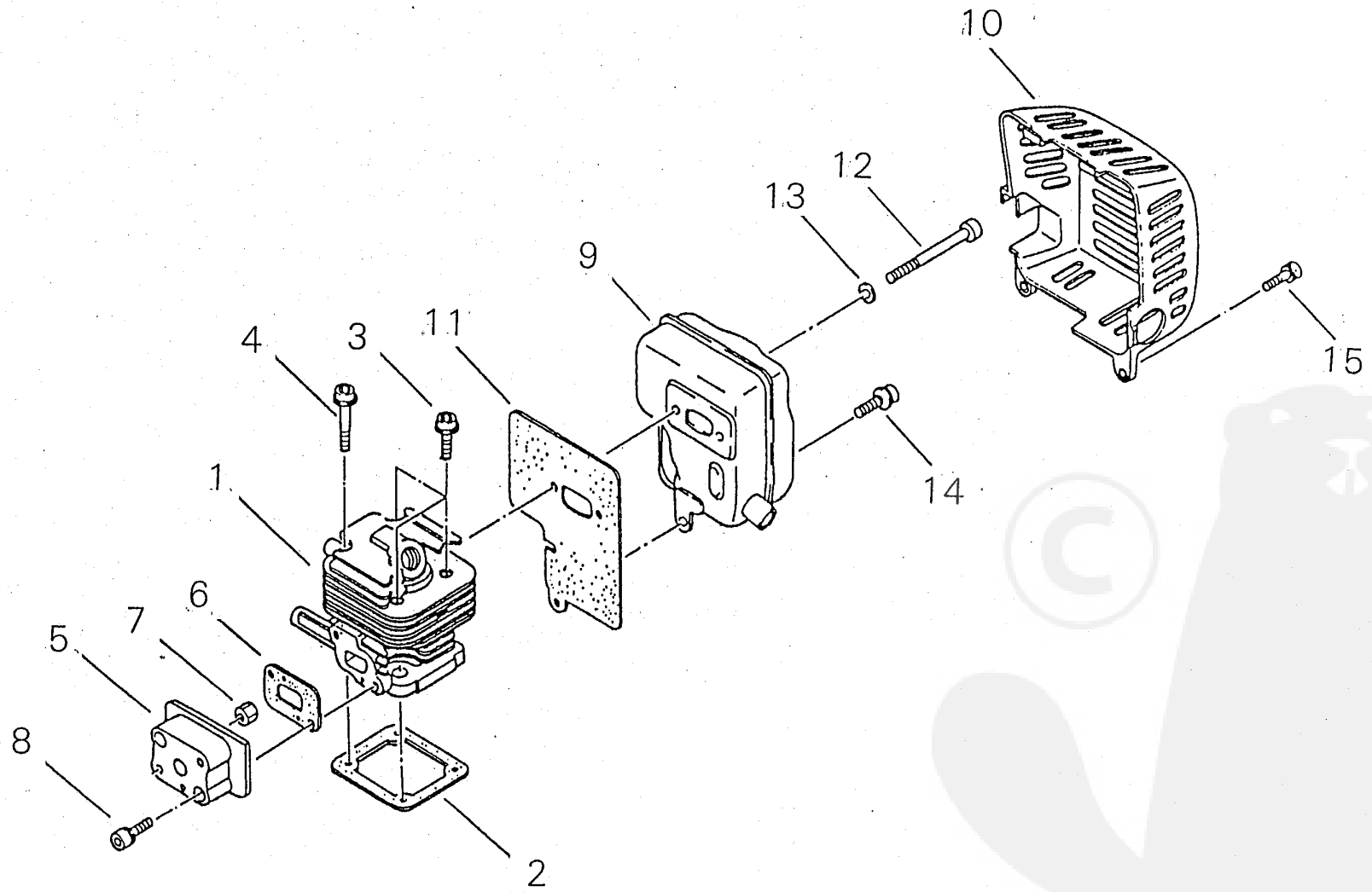
35, Ooaza Shin-Ujigami, Chiyoda-cho Yamagata-gun, Hiroshima, 731-1597 Japan

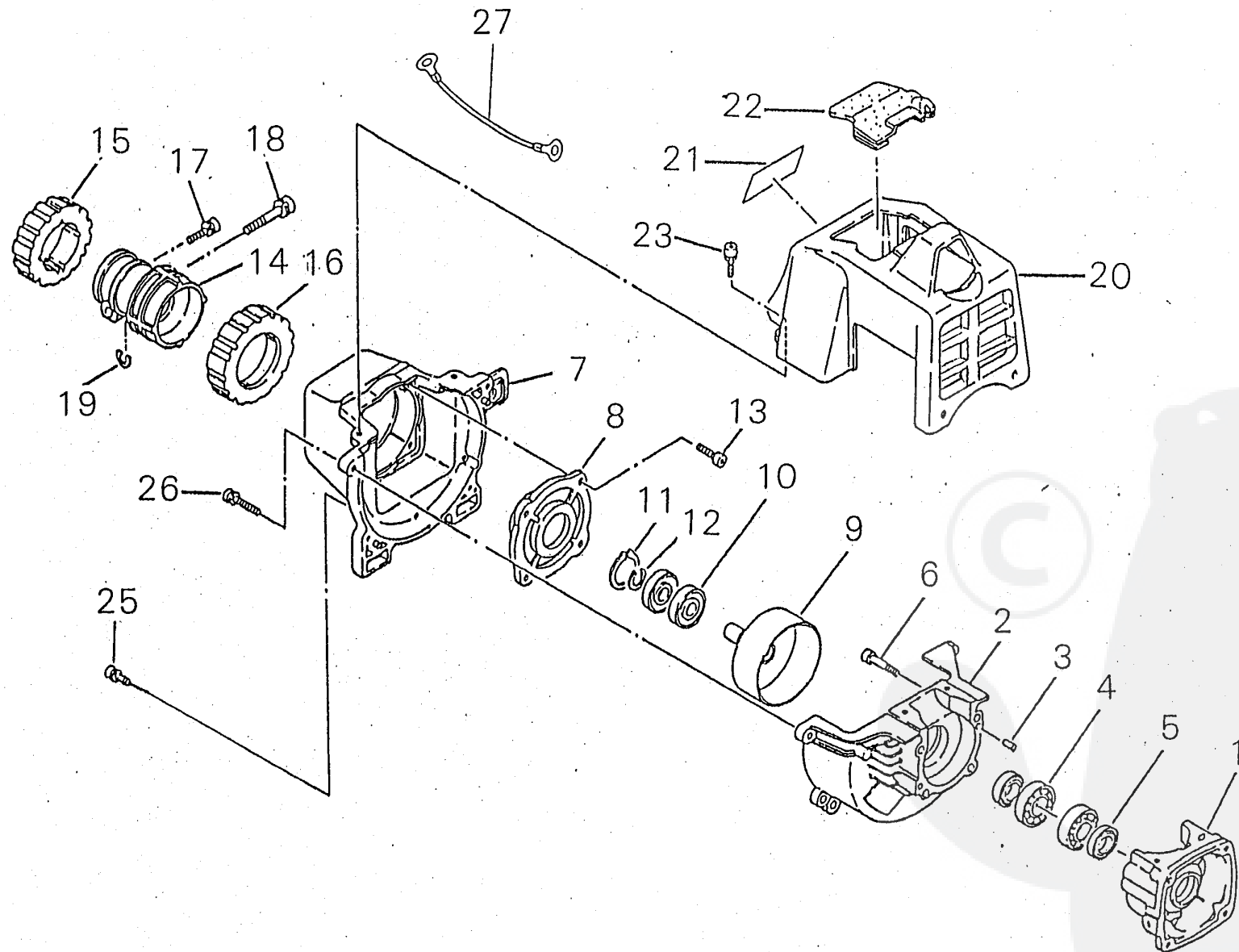
Telephone (0826) 72-6019 SDKHIR Fax (0826) 72-7005

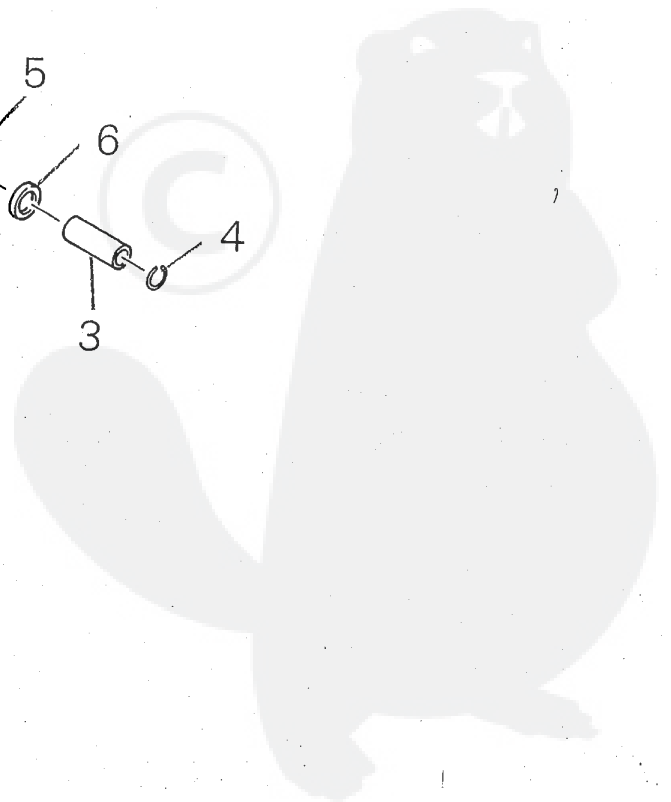
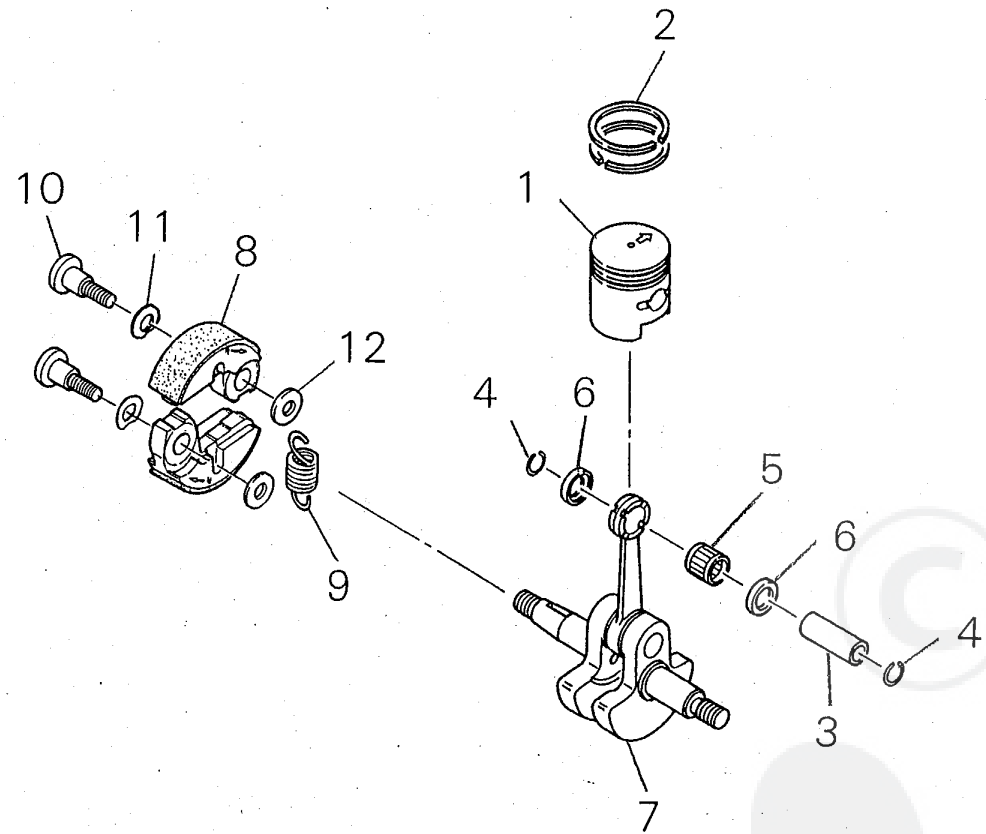
T27/CE

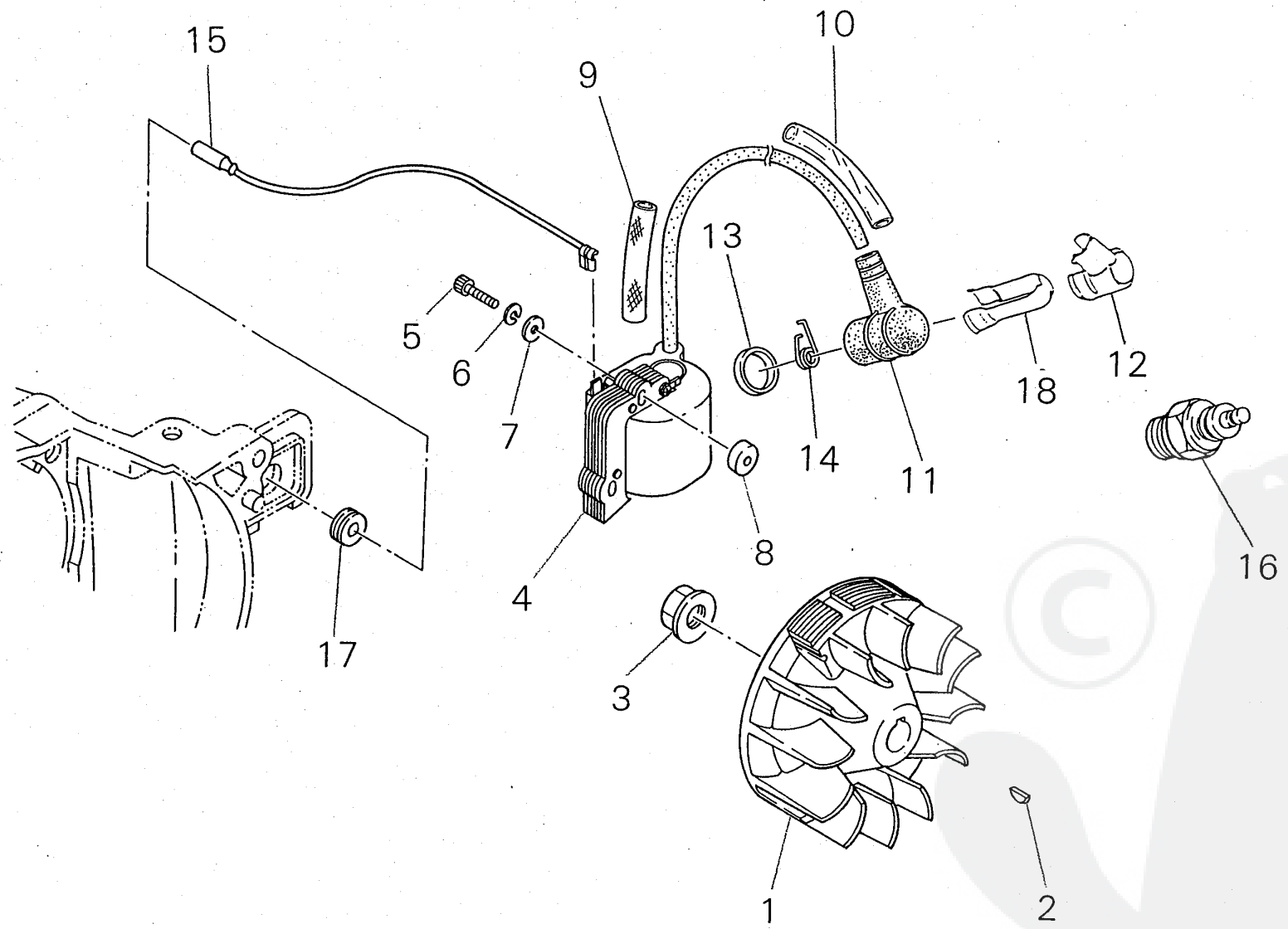
AUG. 4. 1998

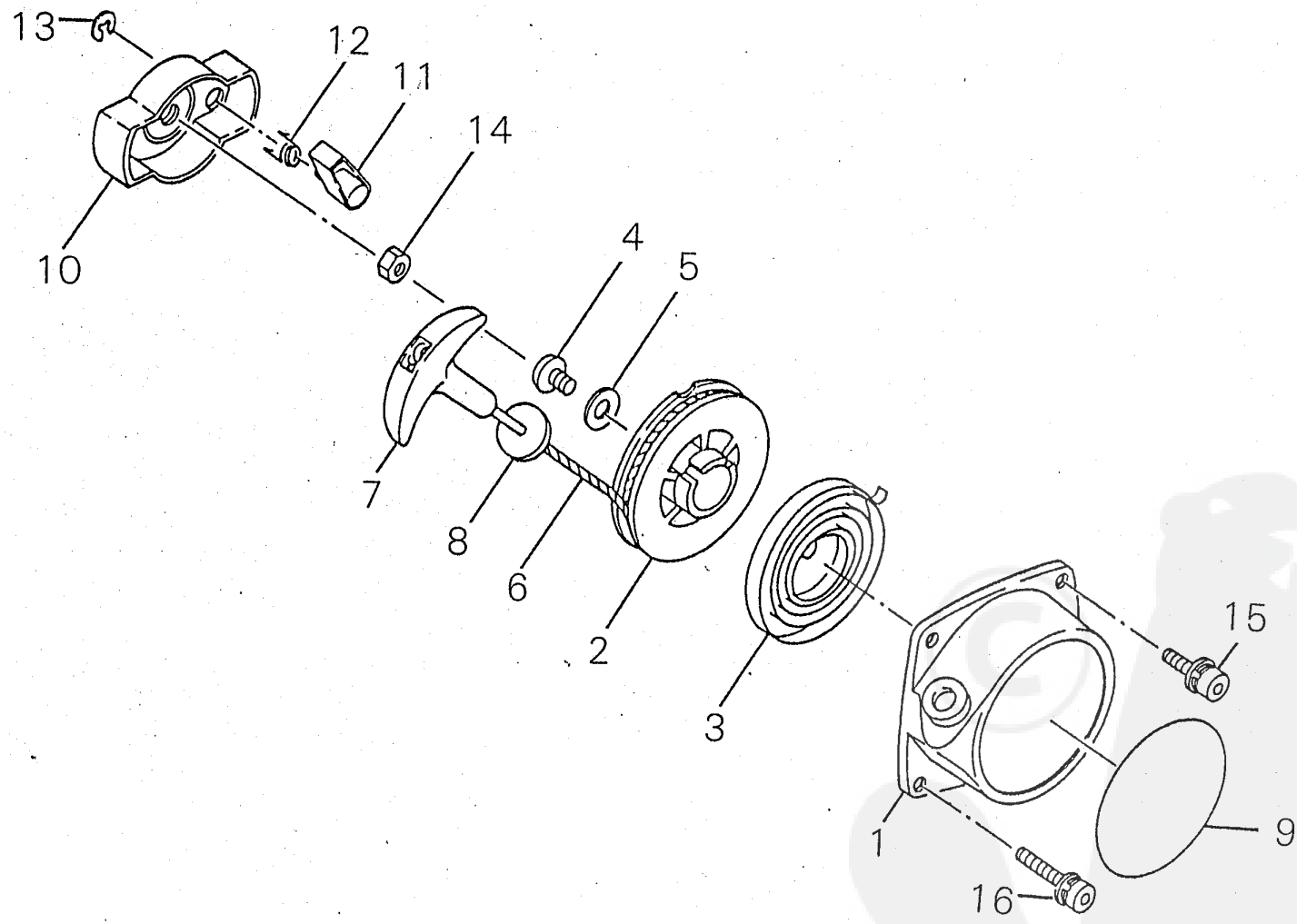
Printed in Japan

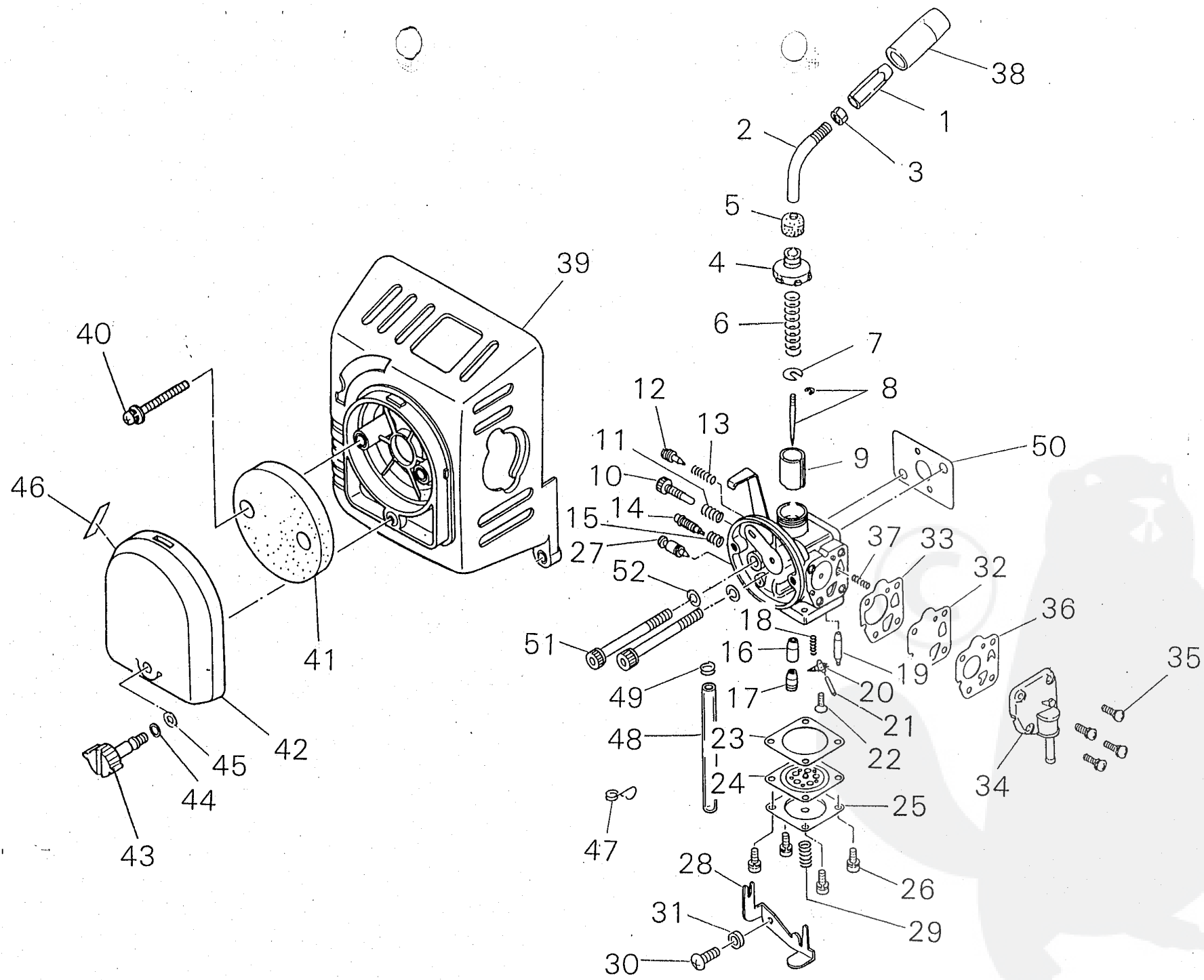












PRICE:(¥)

Ref. No	Part No.	Part Name	Qty	Unit Price	Remarks
6-	20024-81025	CARBURETOR SUB ASSY	1	7,850	
1	20055-81810	• CABLE ADJUSTER	1	680	
2	70107-81830	• ADJUST PIPE	1	510	
3	20000-81260	• LOCK NUT	1	70	
4	20055-81120	• BODY CAP	1	450	
5	20055-81130	• CAP	1	110	
6	20003-81140	• THROTTLE SPRING	1	130	
7	20000-81150	• SPRING RECEIVE	1	60	
8	20024-81170	• JET NEEDLE	1	580	
9	20024-81180	• THROTTLE VALVE	1	1,050	
10	20000-81310	• SLOW STOP SCREW	1	170	
11	20000-81320	• SPRING	1	50	
12	20000-81330	• SLOW AIR SCREW	1	280	
13	20000-81340	• SPRING	1	50	
14	20011-81351	• ADJUST SCREW	1	380	
15	20011-81360	• SPRING	1	50	
16	20024-81411	• NEEDLE JET	1	830	
17	20011-81420	• HOLDER	1	270	
18	20011-81430	• SPRING	1	140	
19	20000-81441	• NEEDLE VALVE	1	750	
20	20011-81450	• LEVER	1	210	
21	20011-81460	• PIN	1	120	
22	20011-81470	• SCREW	1	40	
23	20011-81510	• GASKET	1	170	
24	20024-81520	• DIAPHRAGM	1	1,090	
25	20011-81530	• COVER DIAPHRAGM	1	330	
26	20000-81540	• SCREW	4	30	
27	20011-81550	• ORVER FLOW VALVE	1	740	
28	20035-81560	• TICKLER LEVER	1	260	
29	20011-81572	• SPRING	1	50	
30	20011-81581	• SCREW	1	50	
31	20011-81590	• COLLAR	1	60	
32	20011-81621	• DIAPHRAGM	1	310	
33	20011-81630	• GASKET	1	110	
34	20011-81641	• PUMP BODY	1	1,070	
35	20000-81650	• SCREW	4	30	
36	20020-81660	• PUMP VALVE	1	790	
37	20040-81680	• SPRING	1	100	

PARTS LIST
SHINDAIWA
(LI38 LIA0380P)

T27/CE

