

shindaiwa

PARTS PRICE LIST

T 2 7

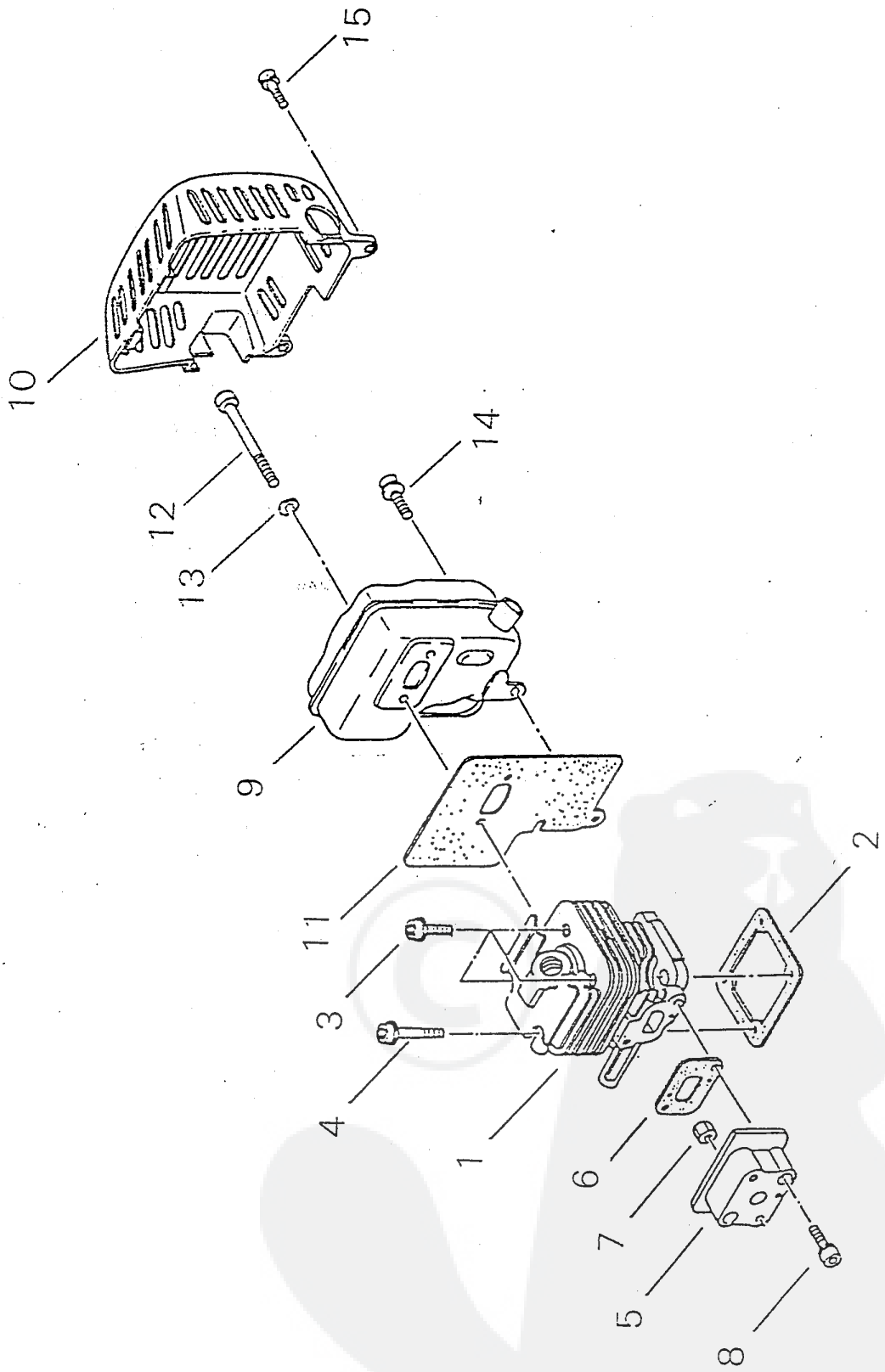


SHIN-DAIWA KOGYO CO., LTD.

35, Ooaza Shin-Ujigami, Chiyoda-cho Yamagata-gun, Hiroshima, 731-14 Japan
Telephone (082672) 6011 Telex 665871 SDKHIR Fax (082672) 6001, 6002
Cable Address SHINDAIWA HIROSHIMA

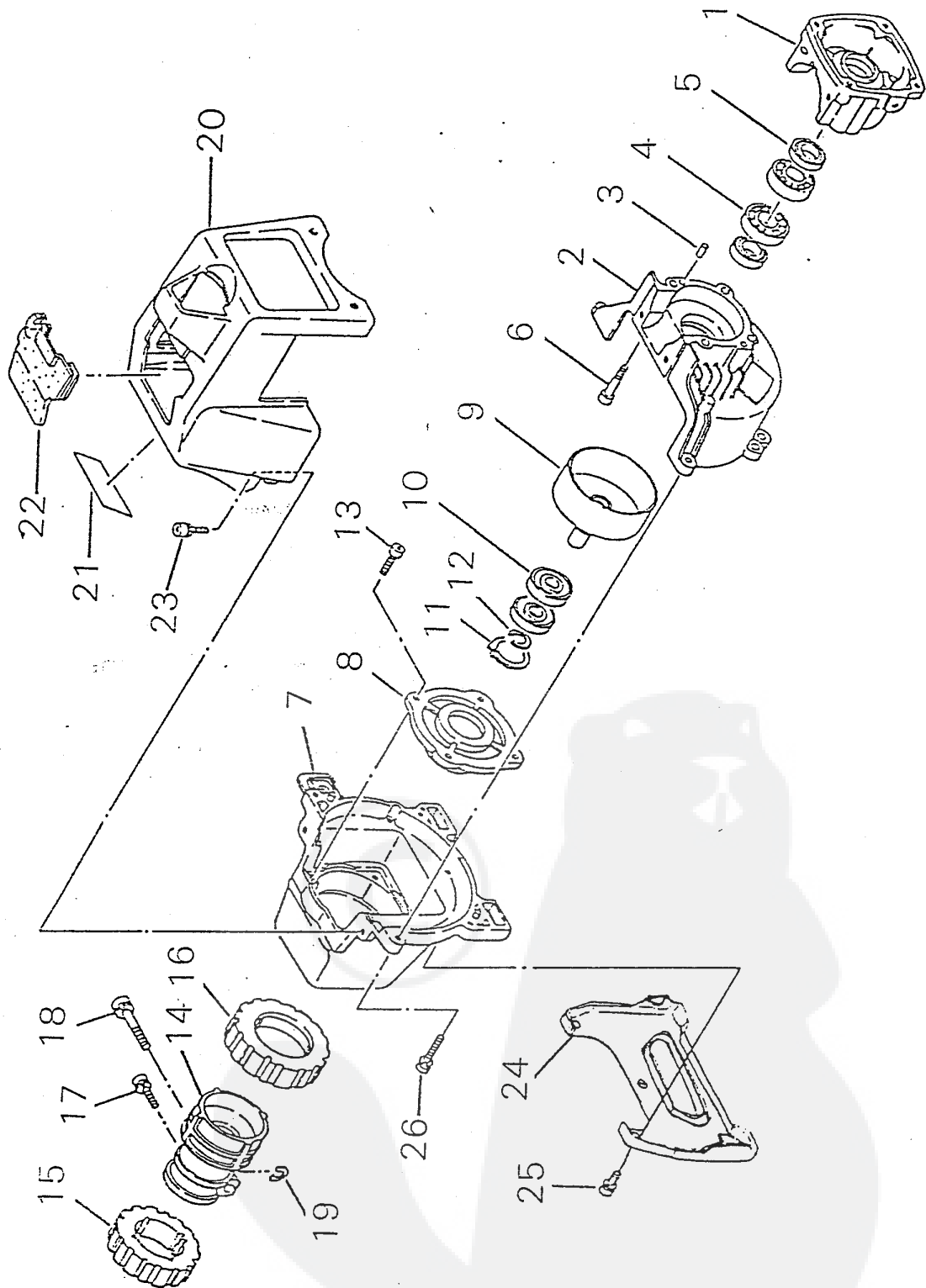
JUN. 13. 1991





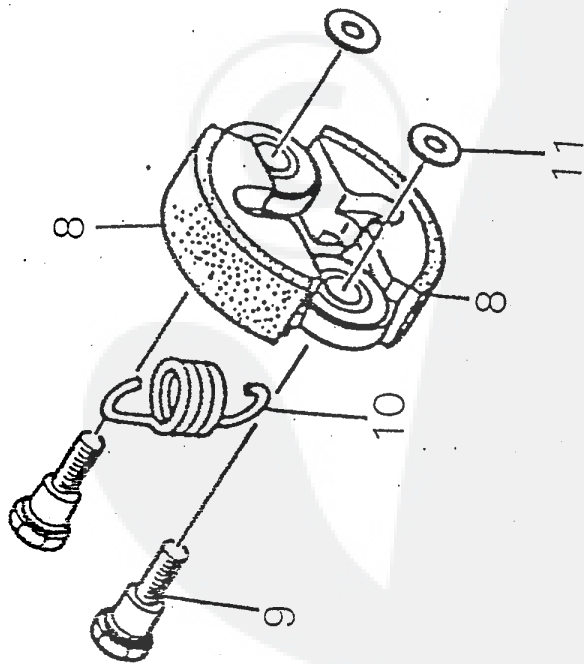
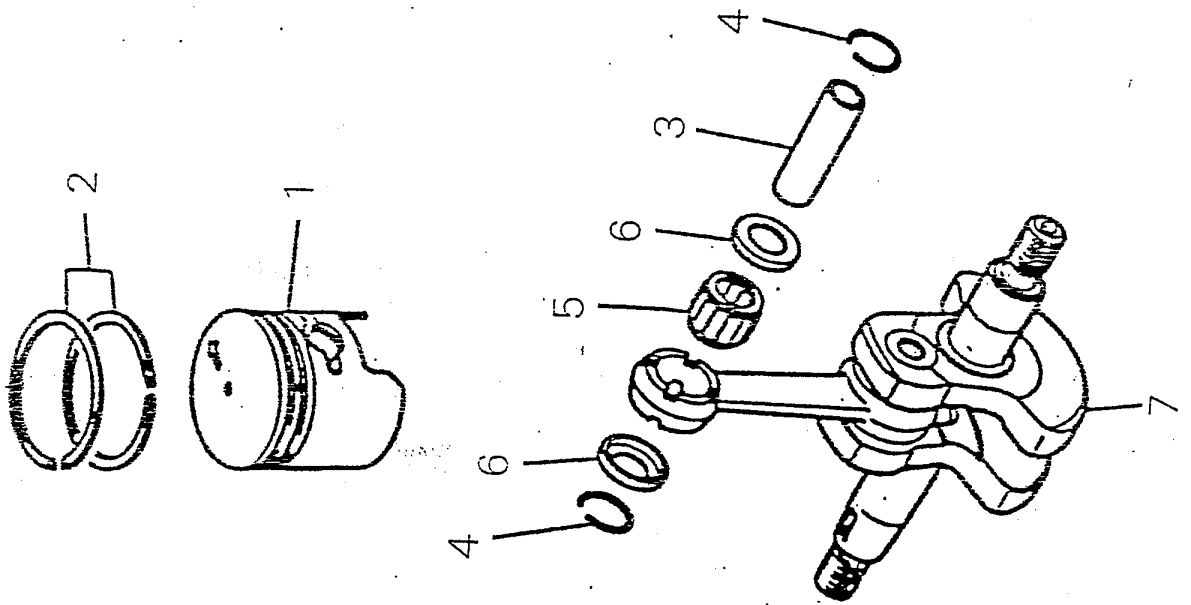
PRICE:(ST)

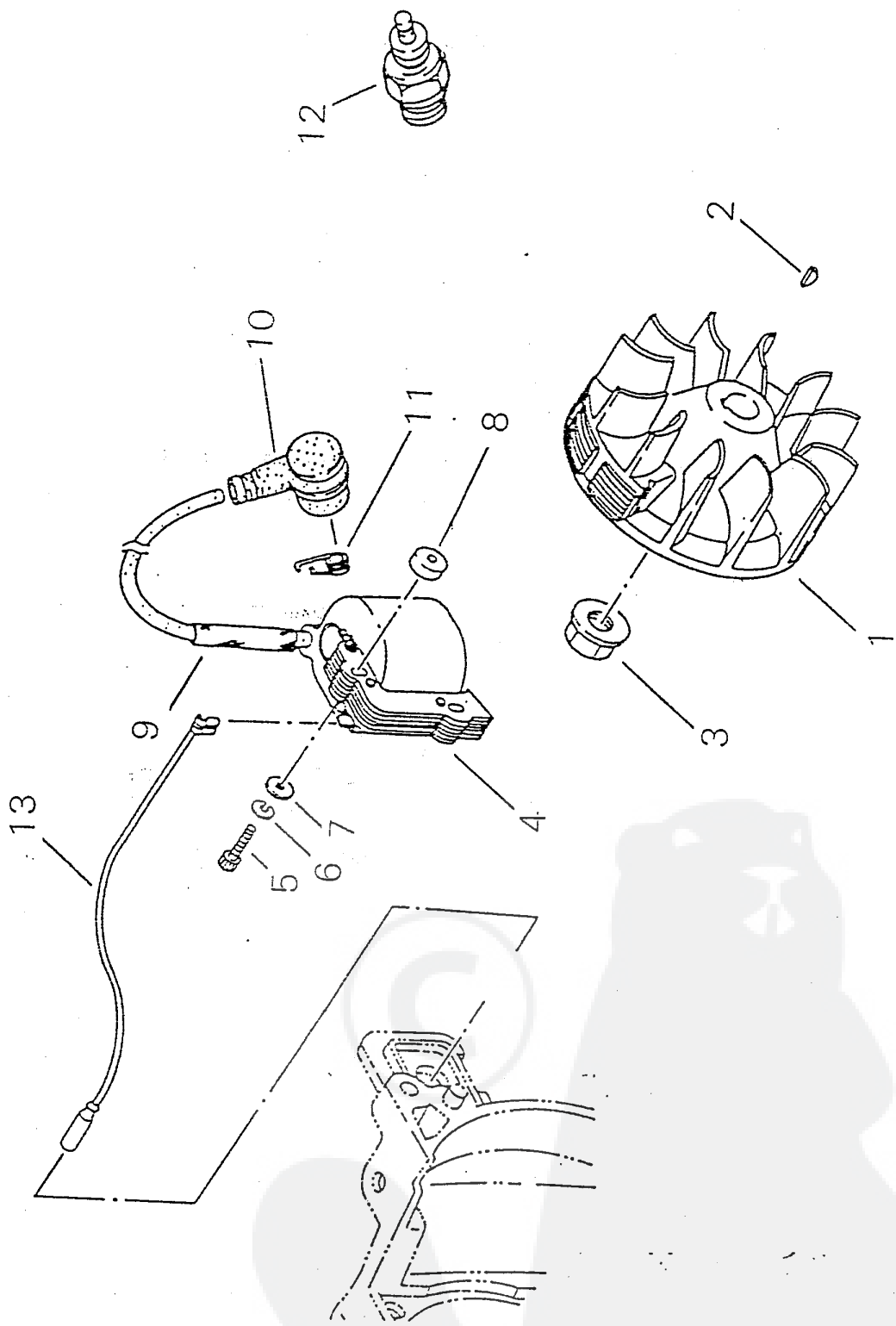
Ref. No	Part No.	Part Name	Q'ty	Unit Price	Remarks
1- 1	20024-12110	CYLINDER	1		
2	20024-12120	GASKET CYLINDER	1		
3	11020-05160	BOLT SW	3		
4	11020-05300	BOLT SW	1		
5	20024-12212	INSULATOR	1		
6	20024-12220	GASKET INSULATOR	1		
7	20024-12260	NUT	2		
8	11022-05200	BOLT SPW	2		
	70102-15000	MUFFLER ASSY	1		
9	20024-15116	• MUFFLER	1		
10	70102-15180	• MUFFLER GUARD	1		
11	20024-15210	• GASKET MUFFLER	1		
12	01020-05550	• BOLT	2		
13	01610-05080	• WASHER	2		
14	11022-05120	• BOLT SPW	1		
15	11022-05160	• BOLT SPW	2		



PRICE:(ST)

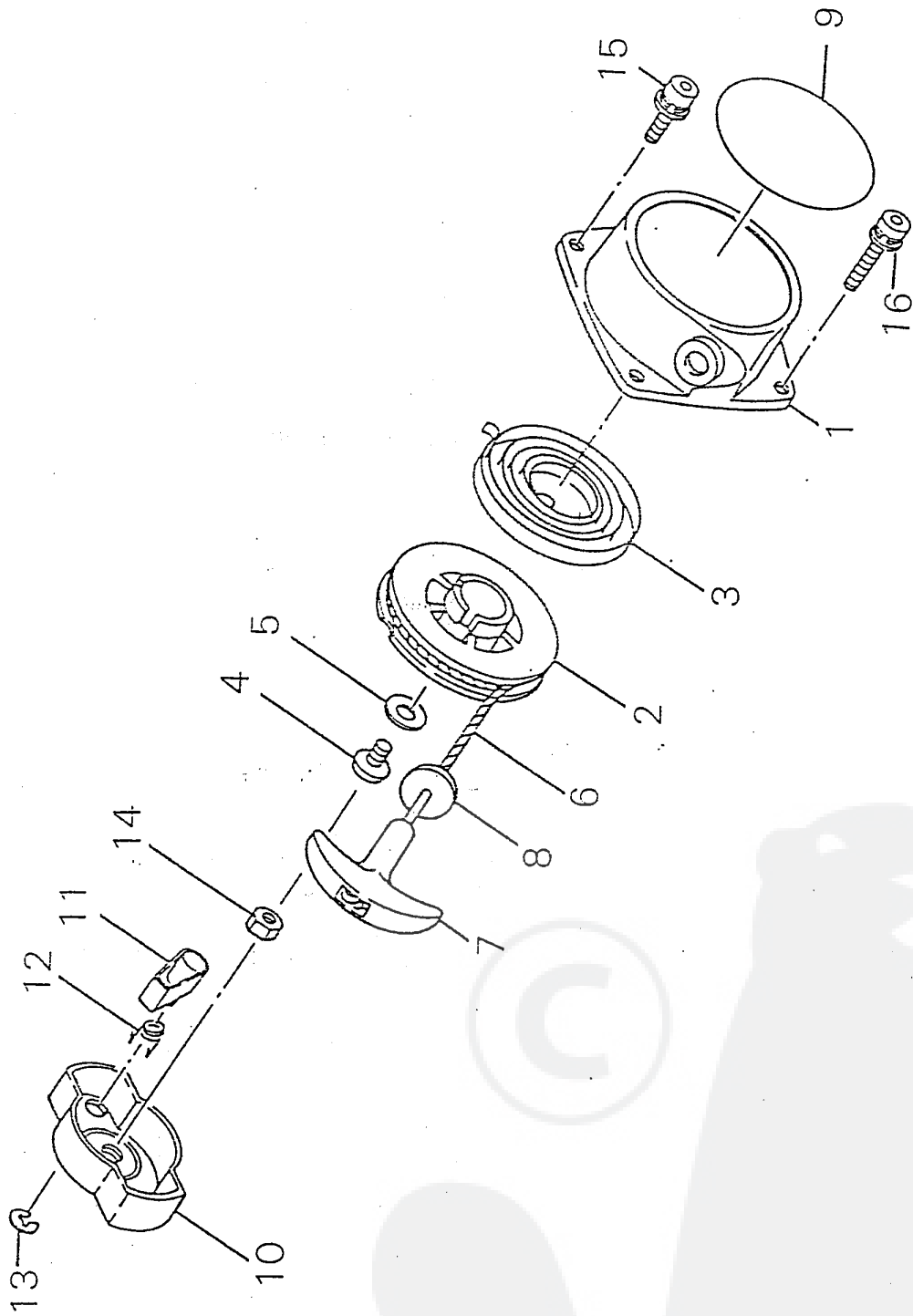
Ref. No	Part No.	Part Name	Q'ty	Unit Price	Remarks
2-	20024-21000	CRANK CASE ASSY	1		
1	20024-21110	• CRANK CASE S	1		
2	20024-21120	• CRANK CASE M	1		
3	20000-21140	• DAWEL PIN	2		
4	02030-06201	• BEARING	2		
5	20000-21211	• OIL SEAL	2		
6	01020-05250	• BOLT	4		
7	70102-31110	FAN COVER	1		
	20024-31137	CLUTCH CASE SUB ASSY #	1		
8	20024-31130	• CLUTCH CASE	1		
9	20024-31151	• CLUTCH DRUM	1		
10	02036-06001	• BEARING	2		
11	02432-28120	• SNAP RING	1		
12	20000-31140	• SNAP RING	1		
13	11022-05160	• BOLT SPW	4		
	20024-31418	JOINT SUB ASSY #	1		
14	20024-31410	• JOINT	1		
15	20024-31421	• FRONT CUSHION	1		
16	20024-31431	• REAR CUSHION	1		
17	11022-05160	• BOLT SPW	1		
18	11022-06280	• BOLT SPW	1		
19	20024-31460	• SHIM	1		
	70102-31200	CYLINDER COVER SUB ASSY #	1		
20	70102-31210	• CYLINDER COVER	1		
21	70102-31250	• NAME PLATE	1		
22	20024-31231	DUST CAP	1		
23	11022-05160	BOLT SPW	2		
24	20024-33112	STAND	1		
25	11022-05120	BOLT SPW	3		
26	11020-05180	BOLT SW	4		

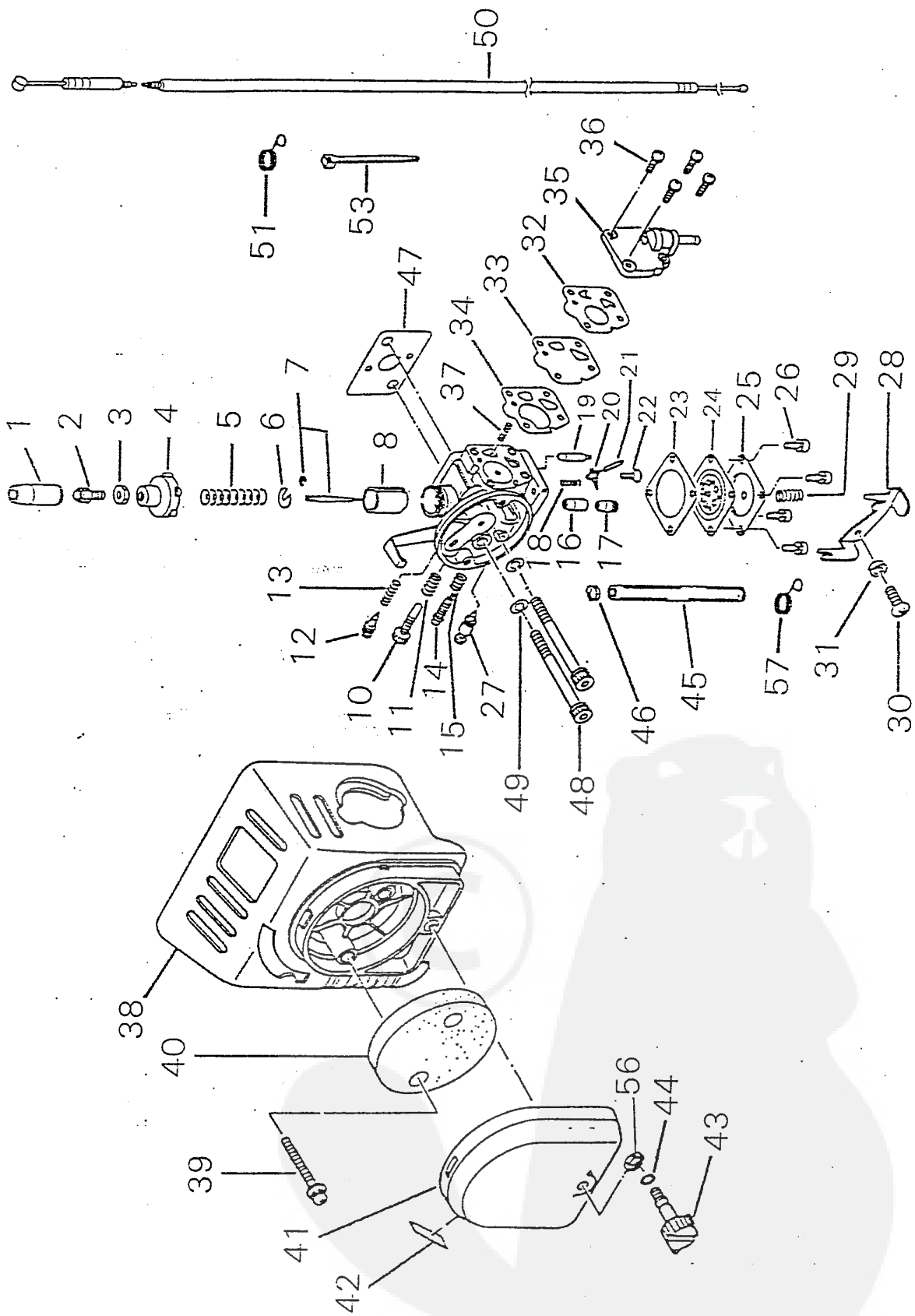




PRICE:(ST)

Ref. No.	Part No.	Part Name	Q'ty	Unit Price	Remarks
4-	1 20024-71201	ROTOR	1		
	2 22100-43210	KEY	1		
	3 20035-71220	NUT	1		
	4 20024-71610	COIL	1		
	5 01020-04300	BOLT	2		
	6 01600-04101	SPRING WASHER	2		
	7 01610-04050	WASHER	2		
	8 70030-71620	INSULATOR	2		
	9 20024-72111	TUBE	1		
	10 22102-72220	PLUG CAP	1		
	11 20000-72230	SPRING SPARK PLUG	1		
	12 CJ8Y	SPARK PLUG	1		
	13 70102-74130	CORD	1		





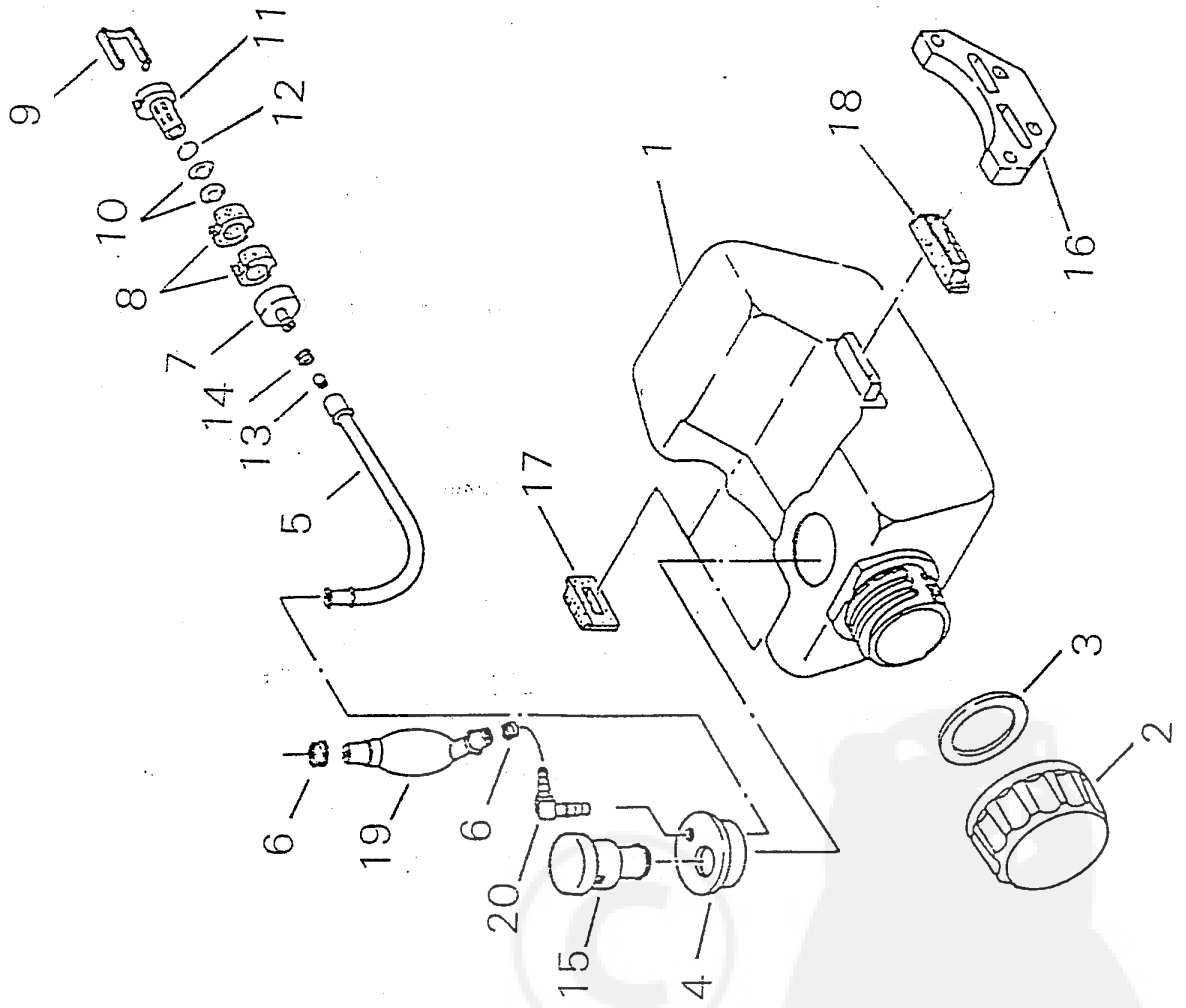
PRICE:(ST)

Ref. No	Part No.	Part Name	Q'ty	Unit Price	Remarks
6-	70102-81000	CARBURETOR ASSY	1		
	20024-81024	* CARBURETOR SUB ASSY	1		
1	72920-81130	** ADJUSTER CAP	1		
2	72920-81140	** CABLE ADJUSTER	1		
3	20000-81260	** LOCK NUT	1		
4	72920-81120	** BODY CAP	1		
5	20011-81140	** SPRING	1		
6	20000-81150	** SPRING RECEIVE	1		
7	20024-81170	** JET NEEDLE	1		
8	20024-81180	** THROTTLE VALVE	1		
10	20000-81310	** SLOW STOP SCREW	1		
11	20000-81320	** SPRING	1		
12	20000-81330	** SLOW AIR SCREW	1		
13	20000-81340	** SPRING	1		
14	20011-81351	** ADJUST SCREW	1		
15	20011-81360	** SPRING	1		
16	20024-81411	** NEEDLE JET	1		
17	20011-81420	** HOLDER	1		
18	20011-81430	** SPRING	1		
19	20000-81441	** NEEDLE VALVE	1		
20	20011-81450	** LEVER	1		
21	20011-81460	** PIN	1		
22	20011-81470	** SCREW	1		
23	20011-81510	** GASKET	1		
24	20024-81520	** DIAPHRAGM	1		
25	20011-81530	** COVER DIAPHRAGM	1		
26	20000-81540	** SCREW	4		
27	20011-81550	** ORVER FLOW VALVE	1		
28	20035-81560	** TICKLER LEVER	1		
29	20011-81572	** SPRING	1		
30	20011-81581	** SCREW	1		
31	20011-81590	** COLLAR	1		
32	20020-81660	** PUMP VALVE	1		
33	20011-81621	** DIAPHRAGM	1		
34	20011-81630	** GASKET	1		
35	20011-81641	** PUMP BODY	1		
36	20000-81650	** SCREW	4		
37	20040-81680	** SPRING	1		

PARTS LIST
SHINDAIWA
(LI38 LIA0380P)

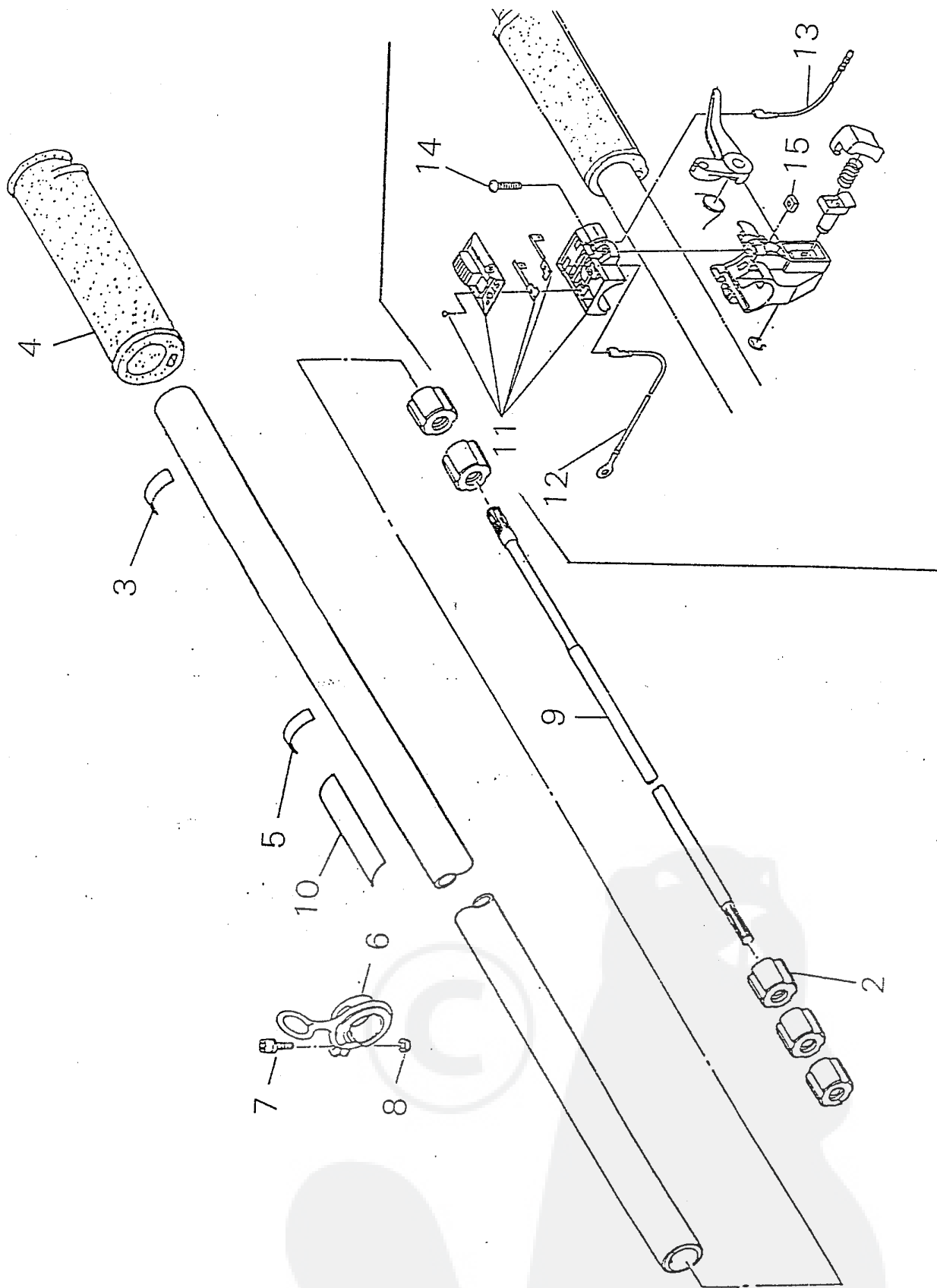
PRICE:(ST)

Ref. No	Part No.	Part Name	Q'ty	Unit Price	Remarks
6-	70102-81701	• CLEANER SUB ASSY	1		
38	70102-81710	•• CLEANER BODY	1		
39	11207-04250	•• SCREW PM SLPW	2		
40	20056-81740	•• FILTER	1		
	20024-81777	•• CLEANER COVER COMP	1		
41	20024-81770	∴ CLEANER COVER	1		
42	19404-00008	∴ LABEL CHORKE	1		
43	20024-81781	∴ KNOB CLEANER	1		
44	22100-82430	∴ O RING	1		
56	20024-81790	∴ COEN WASHER	1		
57	20024-83320	PIPE HOLDER	1		
45	20000-83312	PIPE	1		
46	20020-85540	CLIP	1		
47	20024-83410	GASKET CARBURETOR	1		
48	01020-05650	CAP BOLT	2		
49	01600-05130	SPRING WASHER	2		
50	70036-83110	THROTTLE CABLE	1		
51	20024-83151	CABLE HOLDER	1		
	20011-81910	GASKET KIT	1		
23	20011-81510	• GASKET	1		
34	20011-81630	• GASKET	1		
	20024-81920	DIAPHRAGM KIT	1		
24	20024-81520	• DIAPHRAGM	1		
33	20011-81621	• DIAPHRAGM	1		
32	20020-81660	• PUMP VALVE	1		
	20024-81931	JET NEEDLE KIT	1		
7	20024-81170	• JET NEEDLE	1		
16	20024-81411	• NEEDLE JET	1		



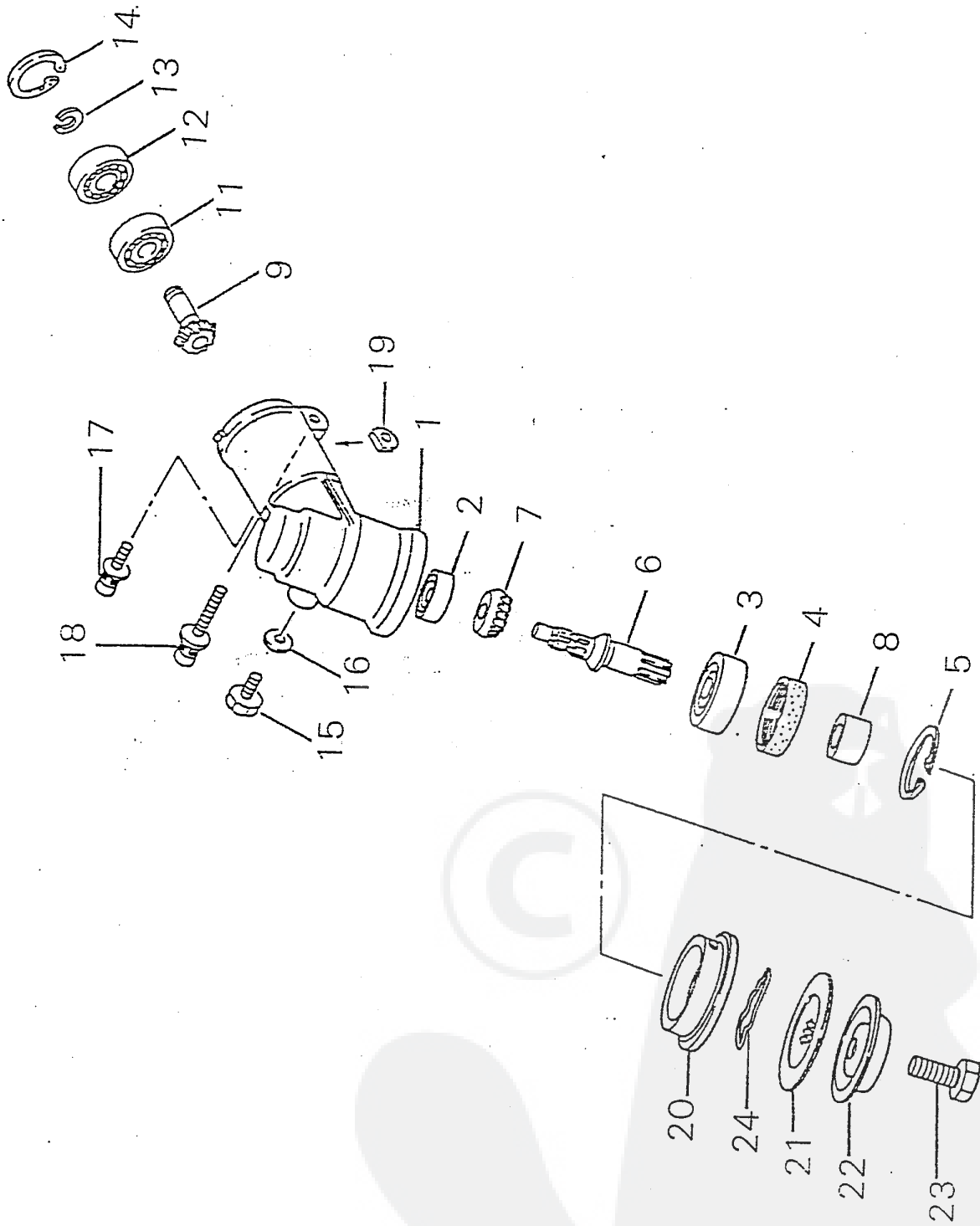
PRICE:(ST)

Ref. No	Part No.	Part Name	Qty	Unit Price	Remarks
7-	20024-85004	FUEL TANK ASSY	1		
1	20024-85112	• FUEL TANK	1		
	20000-85200	• FUEL CAP ASSY	1		
2	20000-85210	•• FUEL CAP	1		
3	20000-85220	•• GASKET FUEL	1		
	20024-85390	• FUEL PIPE COMP	1		
4	20024-85571	•• GROMMET	1		
5	20024-85312	•• FUEL PIPE	1		
6	20000-85350	• CLAMP B	3		
	22115-85401	• FUEL FILTER SUB ASSY	1		
7	22128-85410	•• WEIGHT FUEL	1		
8	22128-85421	•• FILTER	2		
9	22128-85440	•• CLIP FILTER	1		
10	22118-85460	•• SCREEN	2		
11	22128-85470	•• SLEEVE	1		
12	22128-85480	•• RING	1		
13	20000-85440	• CHAKE VALVE	1		
14	20000-85350	• CLAMP B	1		
15	20024-85008	• BREATHER SUB ASSY	1		
16	20024-86111	TANK HOLDER	1		
17	20024-86120	TANK CUSHION	2		
18	20024-86130	TANK CUSHION	1		
	20024-85350	PUMP ASSY	1		
19	20024-85360	• PUMP	1		
20	22155-33930	• JOINT	1		



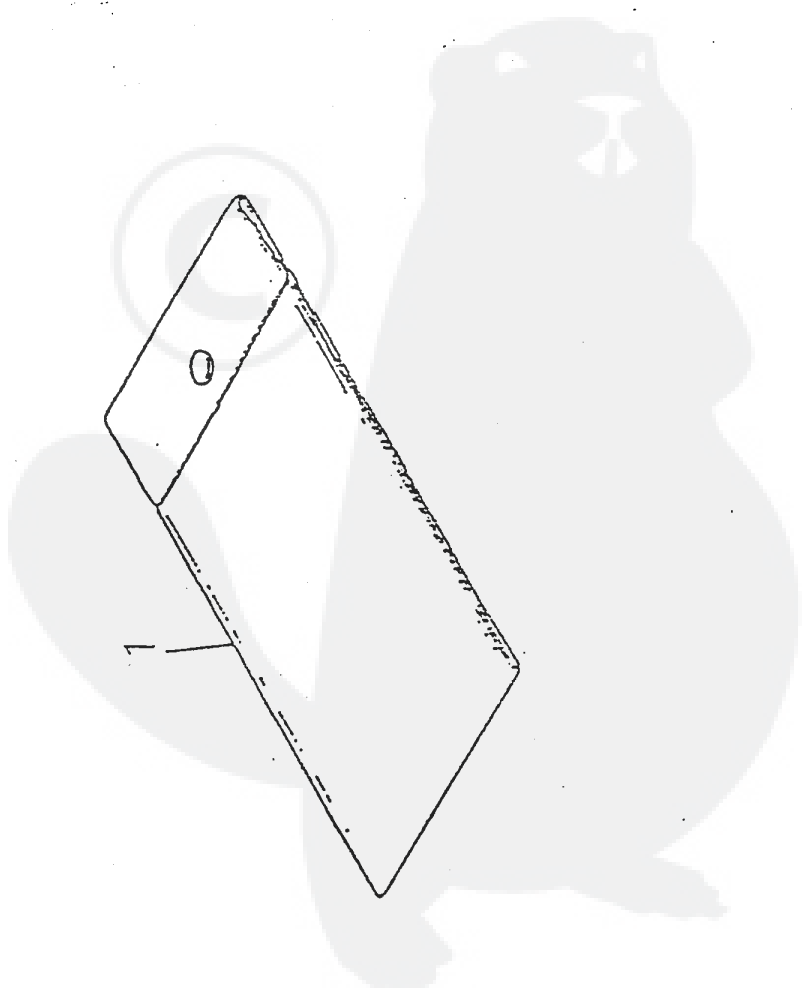
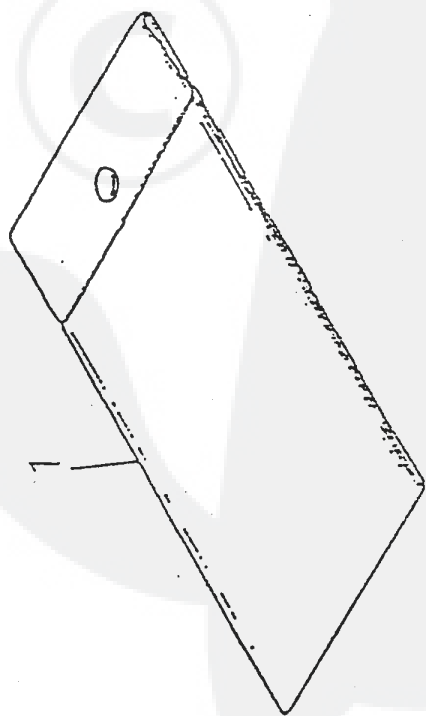
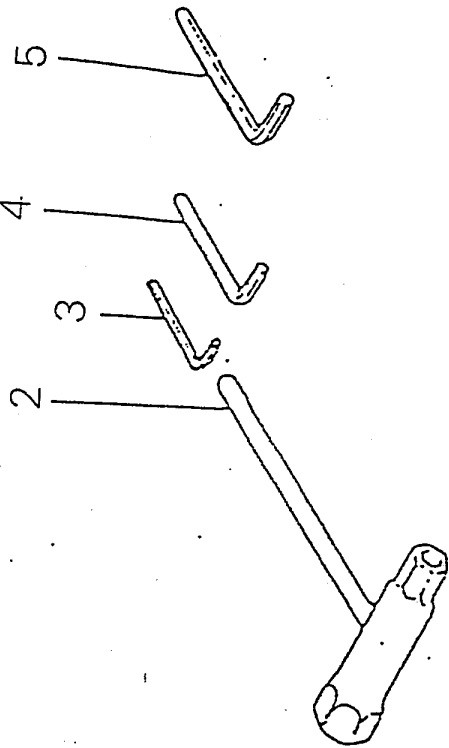
PRICE:(ST)

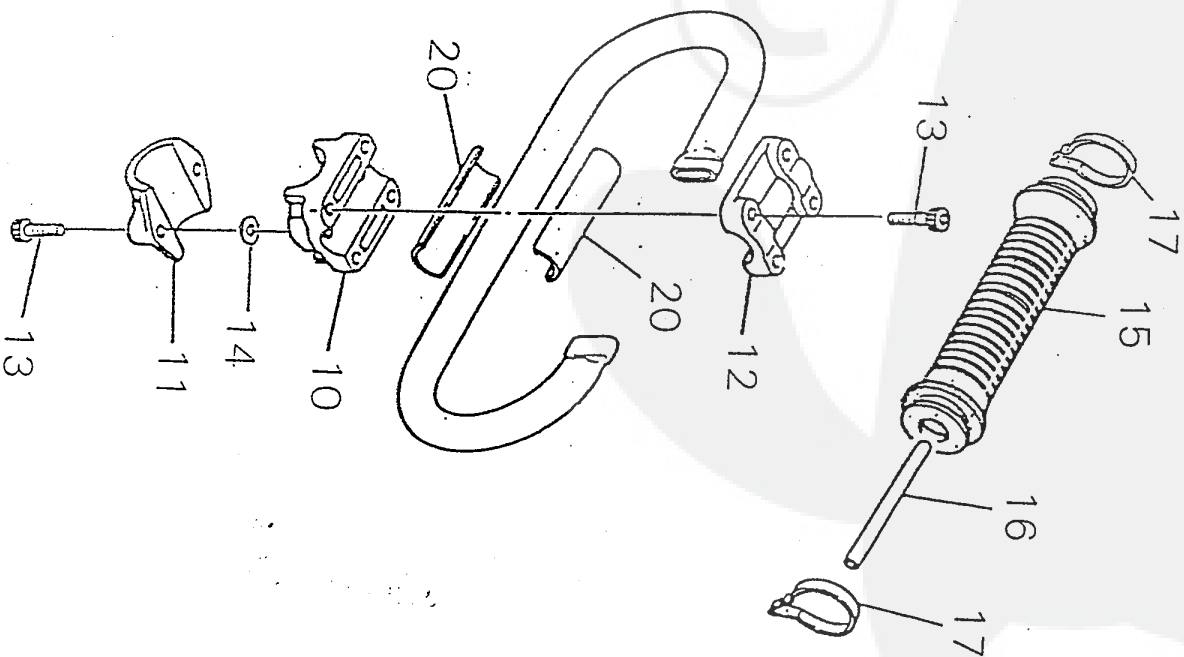
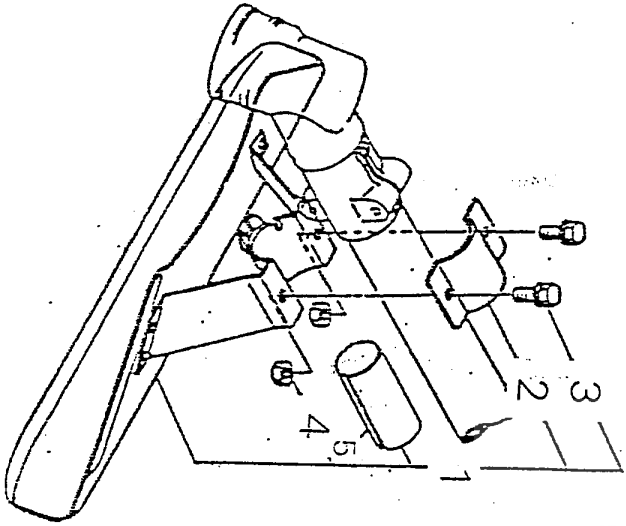
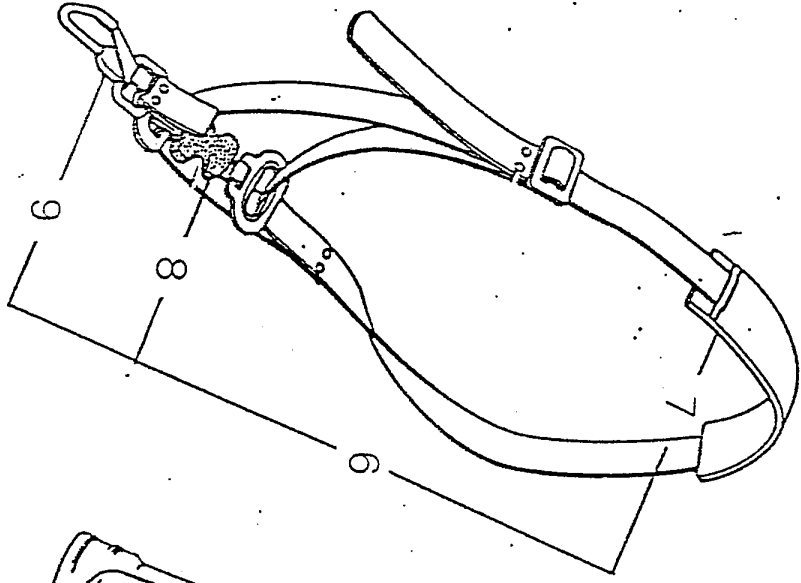
Ref. No	Part No.	Part Name	Q'ty	Unit Price	Remarks
8-	72435-12001	OUTER PIPE ASSY #	1		
	72435-12101	• OUTER PIPE SUB ASSY	1		
2	22024-12120	•• BUSH	5		
3	72005-12140	•• CAUTION PLATE	1		
4	22026-12130	•• GRIP	1		
5	72017-12150	•• HANDLE LABEL	1		
6	22009-12210	• HANGER	1		
7	11022-05120	• BOLT SPW	1		
8	01500-05041	• NUT	1		
9	22000-12413	• MAIN SHAFT	1		
10	72005-12510	• NAME PLATE	1		
	72435-12700	• THROTTLE LEVER ASSY	1		
	72435-12710	•• THROTTLE LEVER SUB ASSY	1		
11	72435-12820	•• SWITCH SUB ASSY	1		
12	72435-12910	•• CORD	1		
13	72435-12920	•• CORD	1		
14	11203-05200	•• SCREW PM	2		
15	72435-12950	•• NUT	2		



PRICE: (ST)

Ref. No	Part No.	Part Name	Q'ty	Unit Price	Remarks
9-	72435-13004	GEAR CASE ASSY	1		
	72435-13013	• GEAR CASE SUB ASSY	1		
1	72435-13112	•• GEAR CASE	1		
2	02046-00609	•• BEARING	1		
3	02000-06201	•• BEARING	1		
4	22024-13121	•• OIL SEAL	1		
5	02432-32120	•• SNAP RING	1		
6	72435-13210	•• GEAR SHAFT	1		
7	22024-13220	•• BEVEL GEAR	1		
8	22000-13230	•• COLLAR	1		
9	22024-13390	•• PINION SET	1		
11	02000-06901	•• BEARING	1		
12	02002-06901	•• BEARING	1		
13	20000-31140	•• SNAP RING	1		
14	02432-24120	•• SNAP RING	1		
15	22015-13410	•• BOLT	1		
16	22015-13420	•• GASKET	1		
17	11022-05160	•• BOLT SPW	1		
18	11022-06280	•• BOLT SPW	1		
19	22011-13450	•• SHIM	1		
20	22024-13912	• HOLDER A	1		
21	72435-13920	• HOLDER B	1		
22	22024-13291	• BOLT GUARD	1		
23	22000-13512	• BOLT	1		
24	22000-13530	• SLIDE PIN	1		





PRICE:(ST)

Ref. No	Part No.	Part Name	Q'ty	Unit Price	Remarks
11-	1 72005-16000	GUARD ASSY	1		
	2 22000-16129	• GUARD CLAMP	1		
	3 11022-05160	• BOLT SPW	2		
	4 01500-05041	• NUT	2		
	5 72005-16130	SPACER	2		
	6 72007-17202	STRAP ASSY	1		
	7 22007-17220	• PROTECTOR	1		
	8 22011-17261	• CUSHION HARNESS	1		
	9 22000-17130	• HOOK	1		
		72091-14100	BRACKET SUB ASSY	1	
10	72051-14110	• HANDLE BRACKET	1		
	11 72051-14120	• LOWER CAP	1		
	12 72051-14131	• UPPER CAP	1		
	13 11022-05250	• BOLT SPW	6		
	14 01610-05080	• WASHER	1		
		72441-14200	HANDLE ASSY	# 1	
15	22000-14220	• GRIP HANDLE	1		
	16 22000-14230	• CORE GRIP	1		
	17 22000-14241	• BAND GRIP	2		
	20 22042-14260	• SPACER	2		