

# shindaiwa

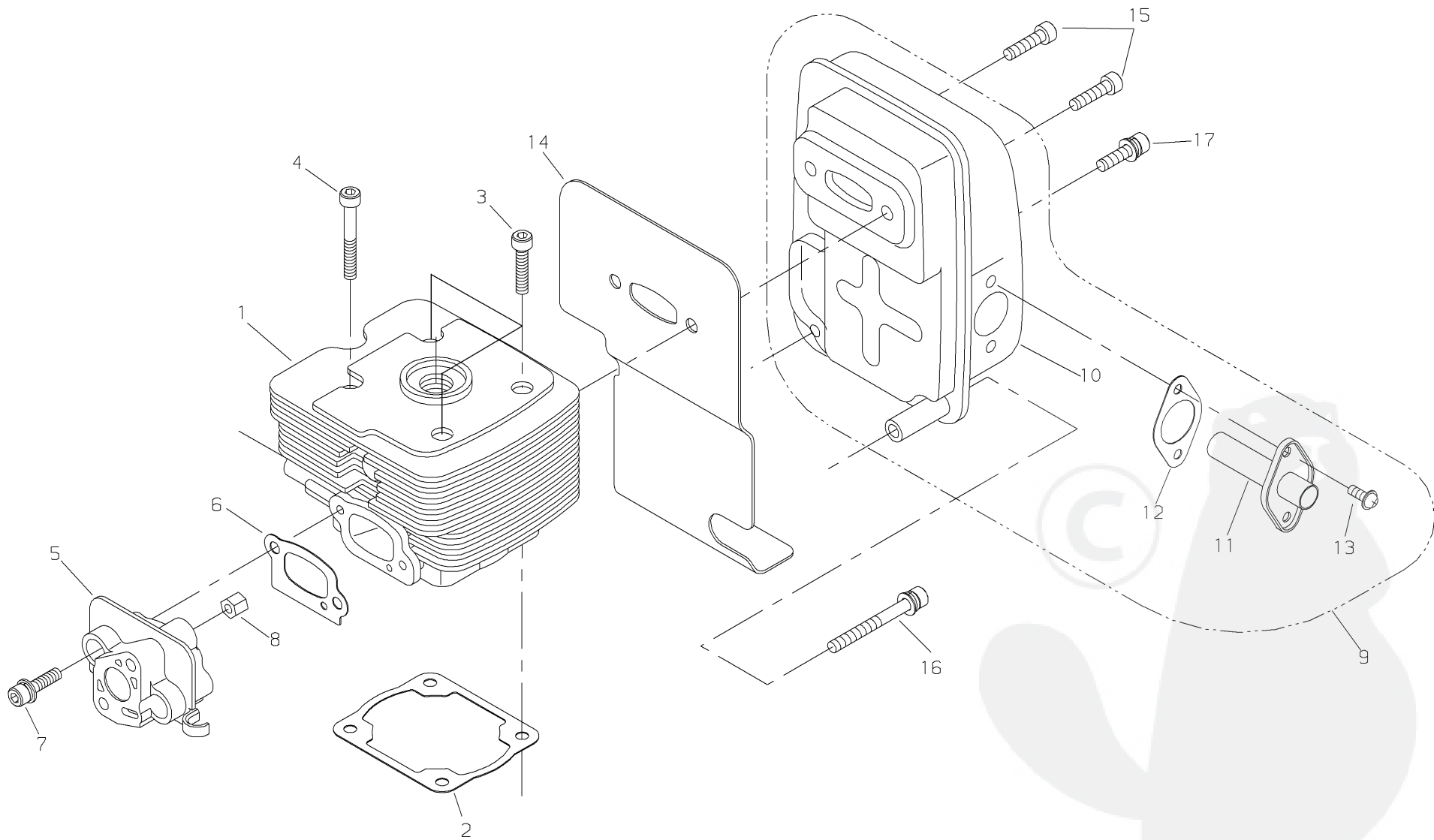
## Illustrated Parts List

# T530/EC1

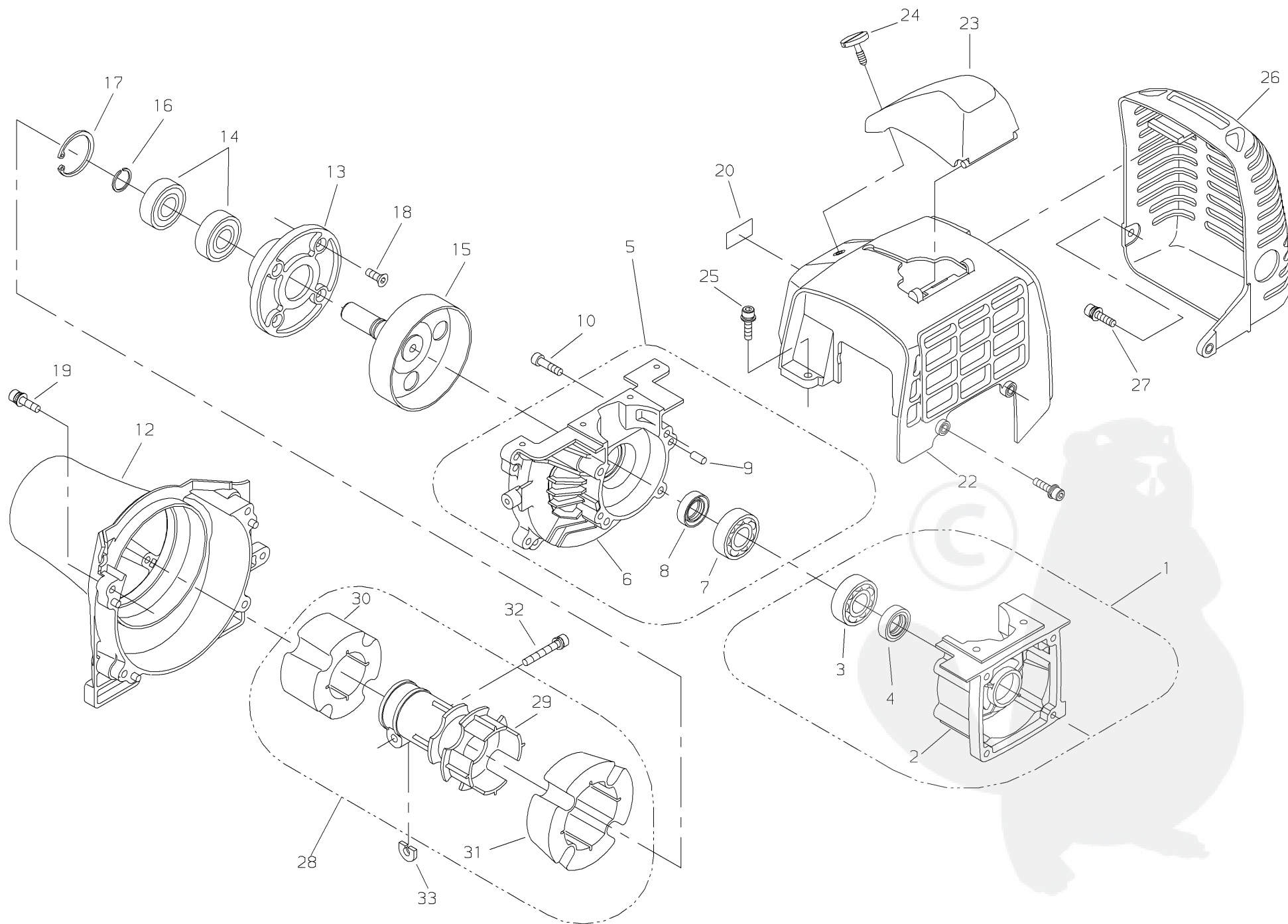


Shindaiwa, Inc.  
11975 S.W. Herman Road  
Tualatin, Oregon 97062  
Telephone 503 692-3070  
Fax 503 692-6696

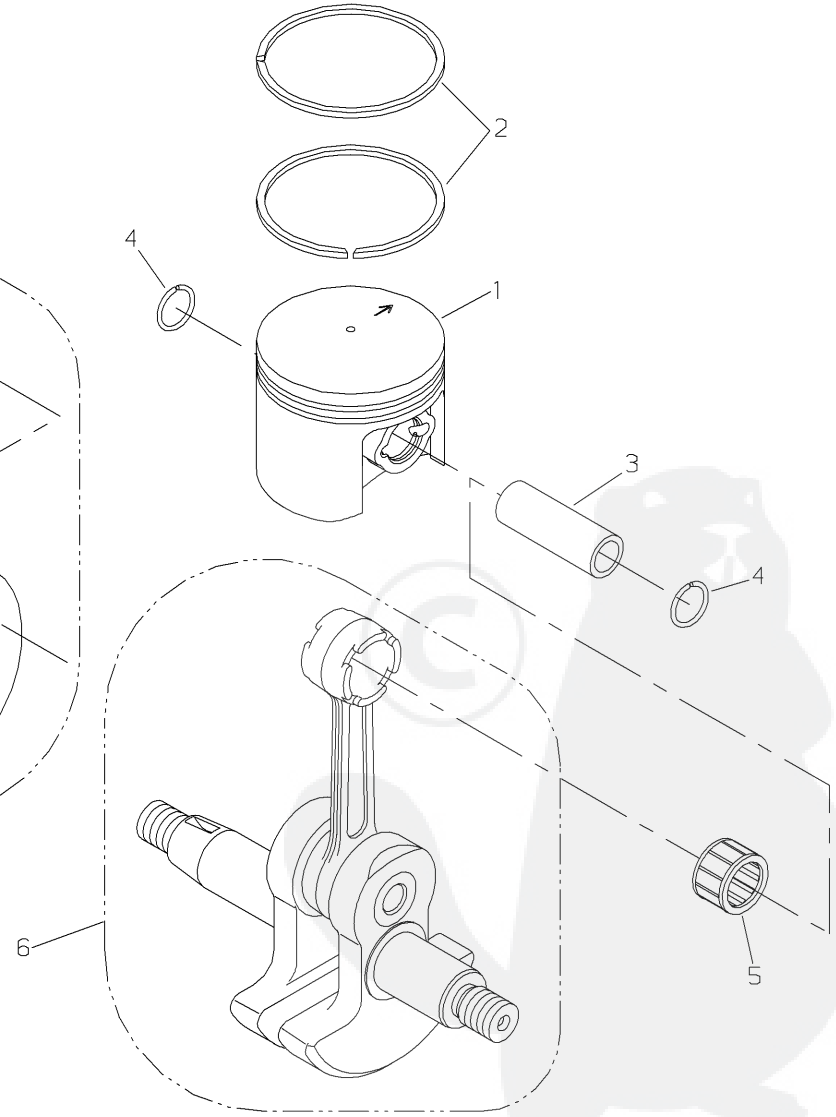
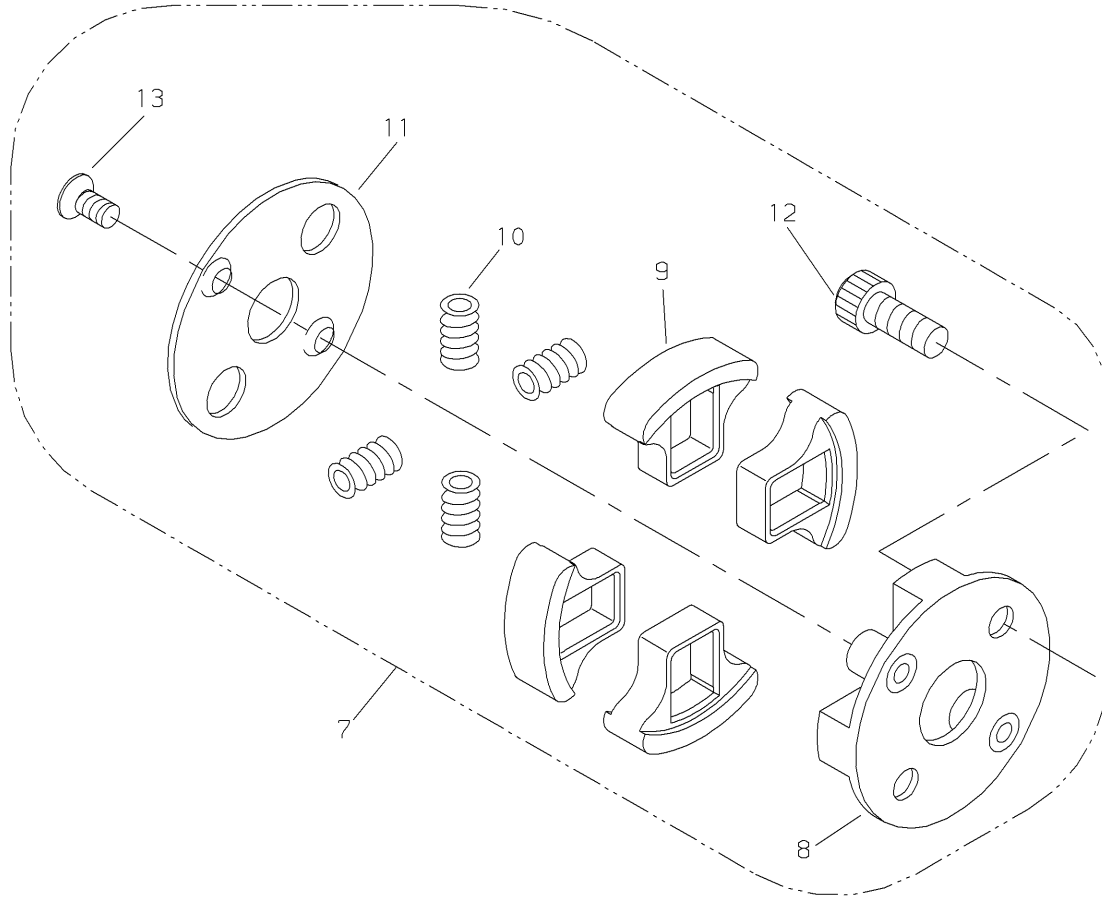
T530/EC1  
REV July 19, 2005



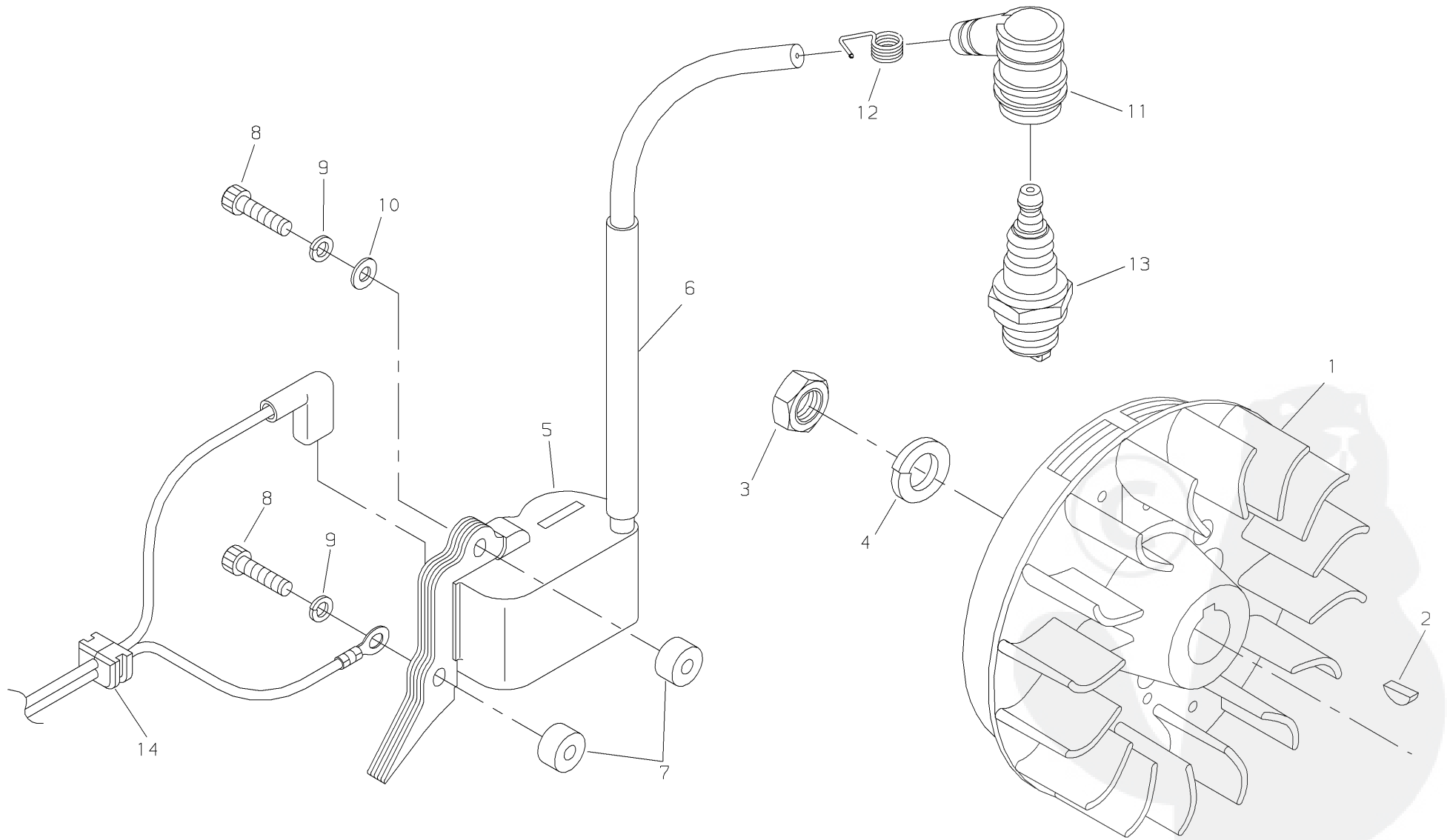






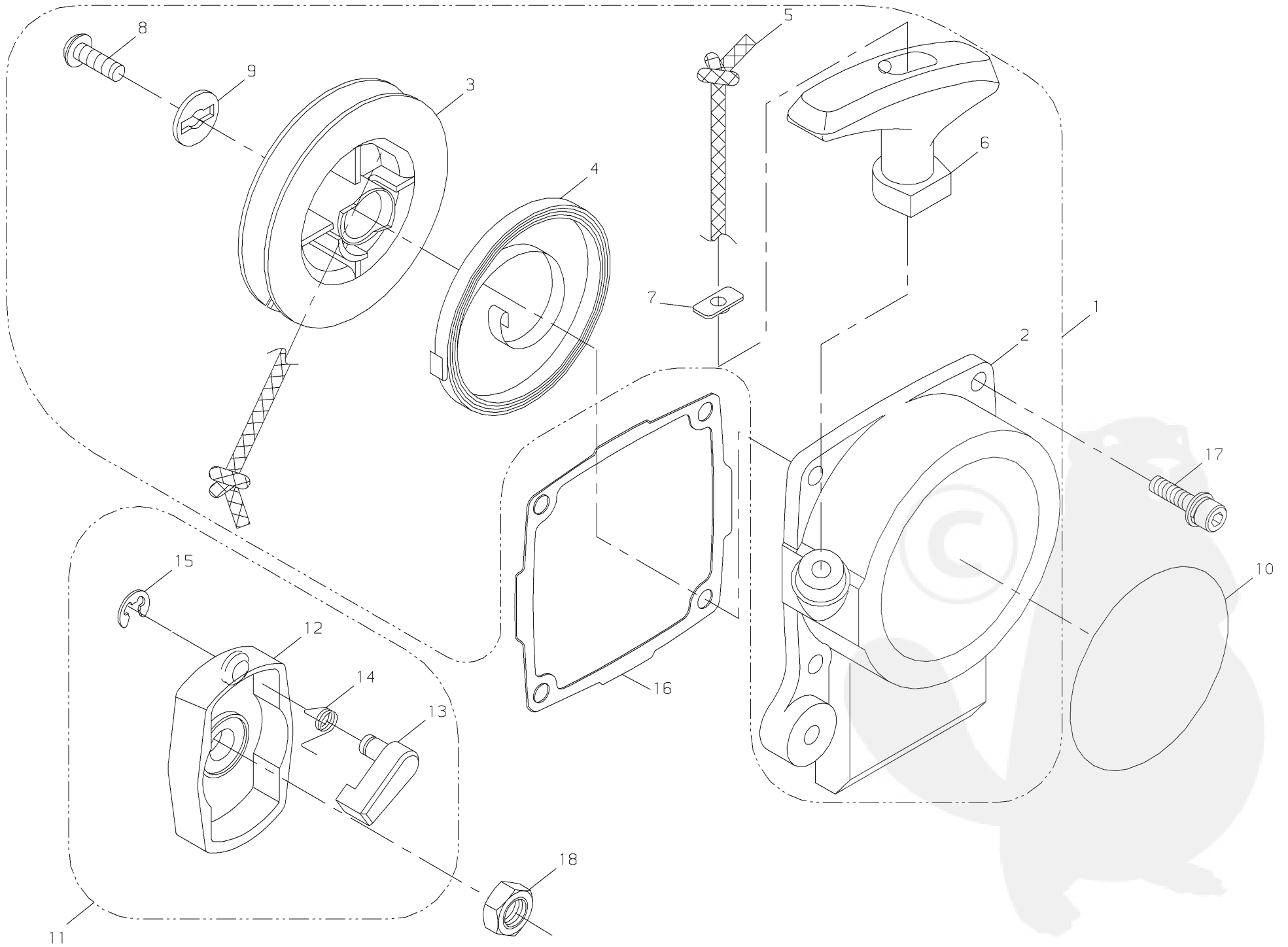




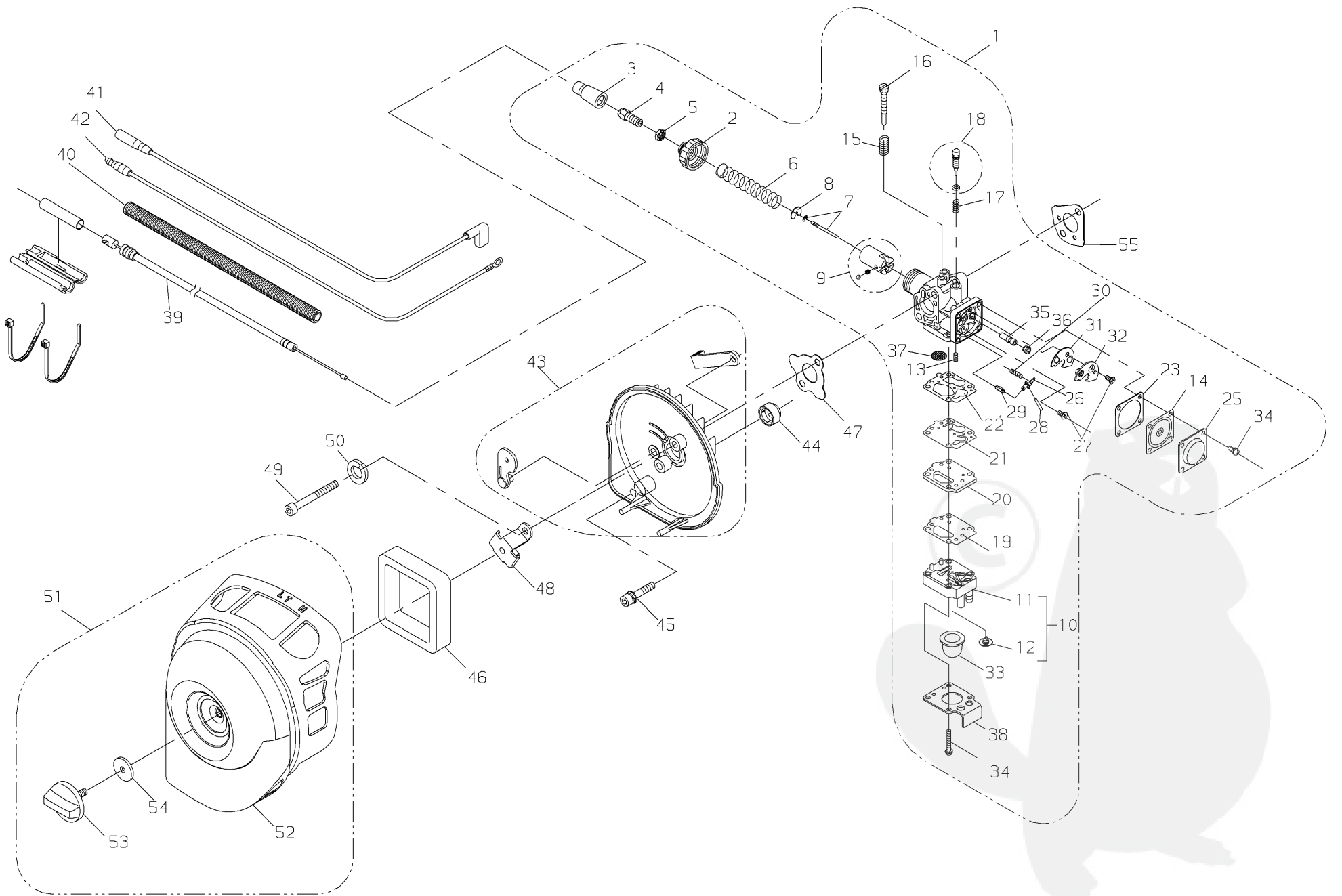












| Ref. No | Part No.    | Part Name           | Qty | Remarks,Serial No. |
|---------|-------------|---------------------|-----|--------------------|
| 6-1     | 62107-81010 | CARBURETOR ASSY.    | 1   |                    |
| 2       | 62083-81310 | *BODY CAP           | 1   |                    |
| 3       | 72920-81130 | *ADJUSTER CAP       | 1   |                    |
| 4       | 20020-81110 | *CABLE ADJUSTER     | 1   |                    |
| 5       | 20000-81260 | *LOCK NUT           | 1   |                    |
| 6       | 20020-81140 | *SPRING             | 1   |                    |
| 7       | 62107-81320 | *JET NEEDLE         | 1   |                    |
| 8       | 20020-81150 | *SPRING RECIEVE     | 1   |                    |
| 9       | 62035-81330 | *THROTTLE VALVE     | 1   |                    |
| 10      | 62035-81340 | *PUMP COVER ASSY.   | 1   |                    |
| 11      | 62035-81350 | **PUMP COVER        | 1   |                    |
| 12      | 68501-81340 | **VALVE             | 1   |                    |
| 13      | 62035-81360 | *SPRING             | 1   |                    |
| 14      | 62035-81410 | *DIAPHRAGM          | 1   |                    |
| 15      | 72920-81820 | *SPRING             | 1   |                    |
| 16      | 20000-81310 | *SLOW STOP SCREW    | 1   |                    |
| 17      | 20011-81360 | *SPRING             | 1   |                    |
| 18      | 62107-81330 | *MAIN ADJ. SCREW    | 1   |                    |
| 19      | 20019-81660 | *GASKET             | 1   |                    |
| 20      | 20019-81610 | *PUMP PLATE         | 1   |                    |
| 21      | 20019-81620 | *DIAPHRAGM PUMP     | 1   |                    |
| 22      | 20019-81630 | *GASKET             | 1   |                    |
| 23      | 62035-81370 | *GASKET             | 1   |                    |
| 24      | 62035-81380 | *SCREW              | 4   |                    |
| 25      | 20019-81670 | *COVER DIAPHRAGM    | 1   |                    |
| 26      | 20011-81451 | *LEVER              | 1   |                    |
| 27      | 20011-81470 | *SCREW              | 2   |                    |
| 28      | 20011-81460 | *PIN                | 1   |                    |
| 29      | 20019-81440 | *NEEDLE VALVE       | 1   |                    |
| 30      | 20040-81430 | *SPRING             | 1   |                    |
| 31      | 70210-81440 | *PACKING            | 1   |                    |
| 32      | 70210-81451 | *PLATE              | 1   |                    |
| 33      | 20087-81820 | *PUMP               | 1   |                    |
| 34      | 20000-81540 | *SCREW              | 1   |                    |
| 35      | 62035-81420 | *NEEDLE JET         | 1   |                    |
| 36      | 70210-81420 | *HOLDER             | 1   |                    |
| 37      | 68501-81480 | *SCREEN             | 1   |                    |
| 38      | 62035-81390 | *PUMP PLATE         | 1   |                    |
| 39      | 62060-83110 | THROTTLE CABLE      | 1   |                    |
| 40      | 62060-83310 | TUBE                | 1   |                    |
| 41      | 14352-11900 | LEAD WIRE           | 1   |                    |
| 42      | 14350-11600 | LEAD WIRE           | 1   |                    |
| 43      | 62035-82011 | CLEANER BODY COMP   | 1   |                    |
| 44      | 62035-82362 | INSULATOR           | 1   |                    |
| 45      | 11022-05400 | BOLT SW             | 1   |                    |
| 46      | 62083-82120 | FILTER              | 1   |                    |
| 47      | 62035-82330 | GASKET              | 1   |                    |
| 48      | 62035-82340 | BACK PLATE          | 1   |                    |
| 49      | 01020-05750 | BOLT                | 2   |                    |
| 50      | 01600-05131 | SPRING WASHER       | 2   |                    |
| 51      | 62083-82041 | CLEANER COVER COMP. | 1   |                    |
| 52      | 62083-82131 | *CLEANER COVER      | 1   |                    |
| 53      | 20870-33120 | *KNOB               | 1   |                    |
| 54      | 62035-82350 | *WASHER             | 1   |                    |
| 55      | 62035-81310 | GASKET              | 1   |                    |

