

Shindaiwa Illustrated Parts List

EC7500 / EC7600 EC1 Cut-Off Saw

CYLINDER / MUFFLER / CRANKCASE / PISTON.....	2 - 3
CLUTCH / CUTTER ASSEMBLY	4 - 5
CYLINDER COVER / ROTOR / COIL SPRING / RECOIL STARTER / AIR CLEANER	6 - 7
CARBURETOR.....	8 - 9
HANDLES / THROTTLE LEVER / FUEL FILTER.....	10
CASTER SET.....	11
TOOL SET.....	12 - 13

www.shindaiwa.com

11975 SW Herman Road

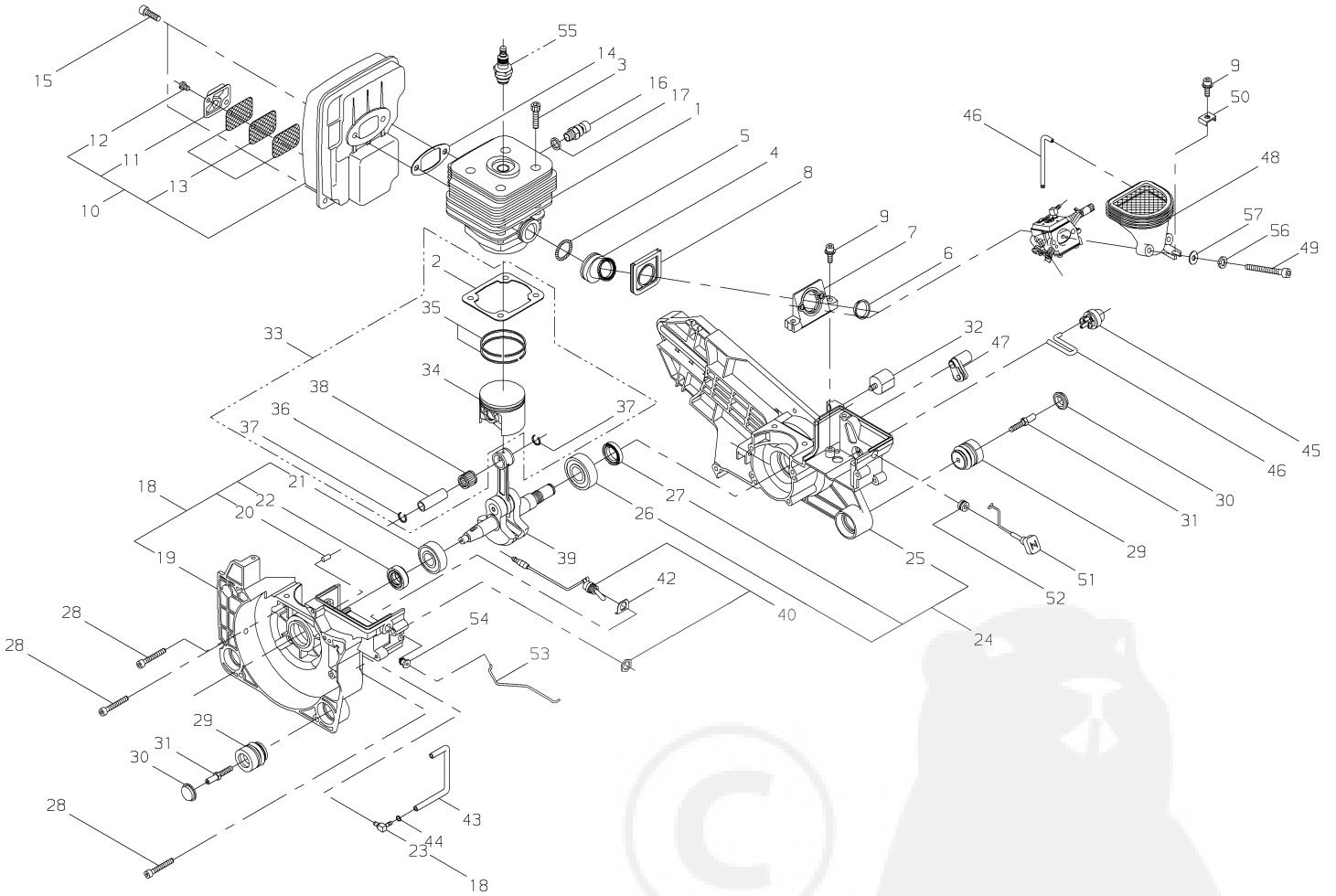
Tualatin, Oregon 97062, U.S.A.

1 + 503.692.3070 • fax 1 + 503.692.6696 •

shindaiwa

CYLINDER / MUFFLER / CRANKCASE / PISTON

ILLUSTRATION 1 - REV 8/05



CYLINDER / MUFFLER / CRANKCASE / PISTON

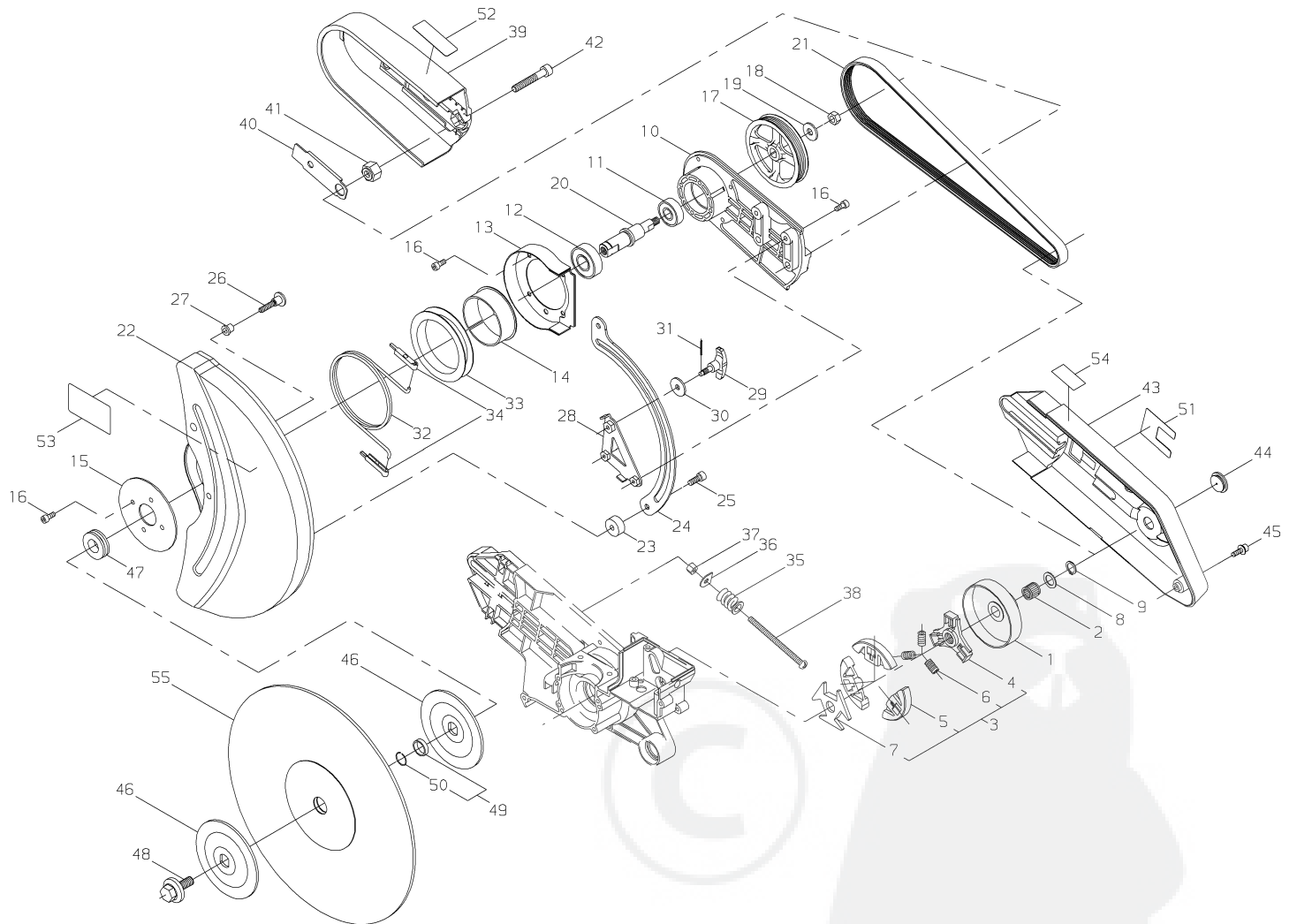
ILLUSTRATION 1 - REV 8/05

Ref. No	Part No.	Part Name	Q'ty
1-1	38010-12112	CYLINDER	1
3	22169-12190	BOLT	4
4	38010-12210	BOOTS	1
5	22182-12160	SPRING	1
6	22150-12170	SLEEVE	1
7	38010-12220	BRACKET	1
8	38010-12230	SEAL	1
9	11060-05141	BOLT ADHESIVE	3
10	68006-15010	MUFFLER ASSEMBLY	1
11	38010-15140	*TAIL PLATE	1
12	11203-05080	*SCREW PM	2
13	68006-15130	*SCREEN	3
14	38010-15210	GASKET	1
15	11060-06200	BOLT ADHESIVE	4
16	38010-16110	DECOMPRESSION	1
17	22173-16160	GASKET	1
18	68000-21012	CRANKCASE M COMP.	1
19	68000-21112	*CRANKCASE M	1
20	12492-50100	*DOWEL PIN	2
21	02030-06202	*BEARING	1
22	22155-21630	*OIL SEAL	1
23	22150-21220	*PULSE JOINT	1
24	38010-21021	CRANKCASE C COMP.	1
25	38010-21211	*CRANKCASE C	1
26	02030-06203	*BEARING	1
27	22169-21630	*OIL SEAL	1
28	22169-21910	BOLT	6
29	72330-33710	CUSHION 26	4

Ref. No	Part No.	Part Name	Q'ty
30	22150-33720	PLUG 26	4
31	22169-33770	STOPPER BOLT	4
32	20050-87160	CUSHION	1
33	68004-98311	PISTON ASSEMBLY	1
2	38010-12120	*GASKET	1
34	38010-41110	*PISTON	1
35	22169-41210	*PISTON RING	2
36	22169-41220	*PISTON PIN	1
37	22155-41230	*SNAP RING	2
38	22155-41281	*BEARING SE	1
39	38010-42010	CRANKSHAFT	1
40	68000-71340	SWITCH ASSEMBLY	1
42	68000-71330	SWITCH PLATE	1
43	22155-82111	PULSE PIPE	1
44	22150-82140	CLIP PULSE	1
45	38010-81330	PRIMER PUMP	1
46	38010-81341	PIPE	2
47	38010-81440	GROMMET CARBURETOR	1
48	38010-82470	ELBOW	1
49	01020-05600	BOLT	2
50	38010-82420	PLATE	1
51	38010-83310	CHOKE ROD	1
52	22150-33410	GROMMET CHOKE	1
53	38010-83321	THROTTLE ROD	1
54	38010-83330	GROMMET ROD	1
55	13000-13507	SPARK PLUG BPMR7A	1
56	01600-05131	SPRING WASHER	2
57	01613-05080	WASHER	2

CLUTCH / CUTTER ASSEMBLY

ILLUSTRATION 3 - REV 8/05



CLUTCH / CUTTER ASSEMBLY

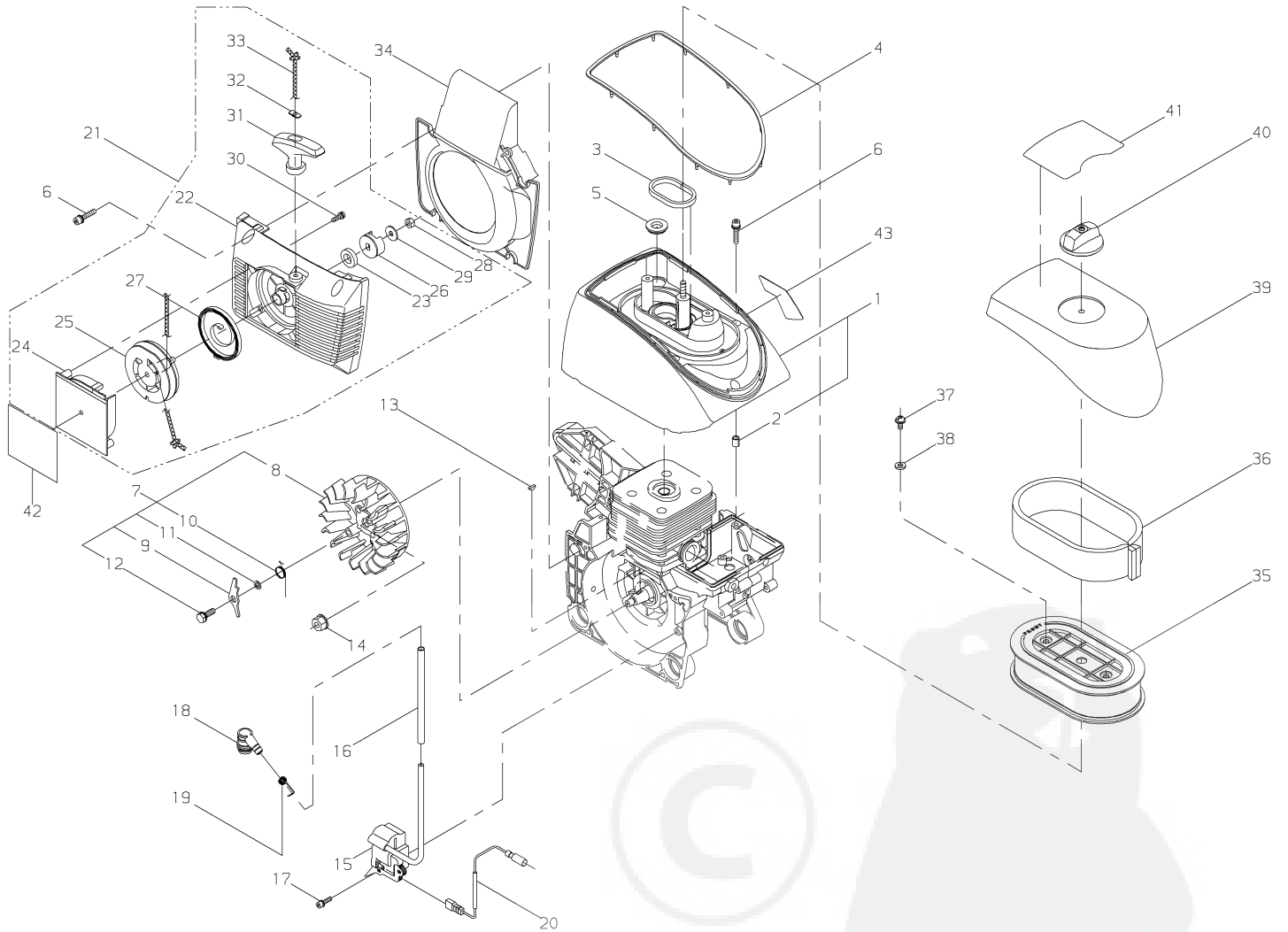
ILLUSTRATION 3 - REV 8/05

Ref. No	Part No.	Part Name	Q'ty
3- 1	38011-51110	CLUTCH DRUM: EC7600/EC1	1
1	38010-51110	CLUTCH DRUM: EC7500/EC1	1
2	38010-51320	NEEDLE BEARING	1
3	22169-51200	CLUTCH ASSEMBLY	1
4	22169-51210	*CLUTCH BOSS A	1
5	22169-51220	*CLUTCH SHOE	3
6	22150-51230	*CLUTCH SPRING	3
7	22169-51240	*CLUTCH BOSS B	1
8	22150-55120	THRUST PLATE	1
9	02430-13100	SNAP RING	1
10	38010-63110	BEARING CASE	1
11	02006-06201	BEARING	1
12	02006-06203	BEARING	1
13	38010-63330	SPRING PLATE	1
14	38010-63310	SLIDE RING	1
15	38010-63320	BEARING PLATE	1
16	01020-05160	BOLT	10
17	38010-64111	DRIVE PULLEY	1
18	01500-08061	NUT	1
19	15401-20007	COLLAR	1
20	38010-64120	DRIVE SHAFT	1
21	38010-64130	DRIVE BELT	1
22	38011-65112	WHEEL GUARD: EC7600/EC1	1
22	38010-65112	WHEEL GUARD: EC7500/EC1	1
23	15401-20101	COLLAR	2
24	68002-65330	SLIDE PLATE	1
25	01020-06200	BOLT	2
26	20087-51210	BOLT	2
27	15401-00008	COLLAR	2
28	38010-65330	LOCK PLATE	1

Ref. No	Part No.	Part Name	Q'ty
29	68002-65341	KNOB	1
30	15401-20008	COLLAR	1
31	02427-20125	PIN	1
32	17520-98200	COIL SPRING	1
33	38010-65360	SPRING GUIDE	1
34	38010-65370	SPRING HOLDER	2
35	17500-17500	COIL SPRING	1
36	38010-66330	WASHER	1
37	38010-66310	NUT	1
38	38010-66320	SCREW ADHESIVE	1
39	38010-67310	PULLEY COVER	1
40	38010-67320	TENSION PLATE	1
41	38010-67330	TENSION BLOCK	1
42	01020-08500	BOLT	2
43	38010-67341	CLUTCH COVER	1
44	38010-67351	PLUG	1
45	11060-05141	BOLT ADHESIVE	2
46	38010-68110	FLANGE	2
47	15401-21022	COLLAR	1
48	38010-68130	FLANGE BOLT	1
49	38010-98330	COLLAR SET	1
50	68000-69310	*SNAP RING	1
51	38011-91030	LABEL TRADE: EC7600/EC1	1
51	38010-91030	LABEL TRADE: EC7500/EC1	1
52	19401-00254	LABEL INST.	1
53	19402-00220	LABEL CAUTION: EC7600/EC1	1
53	19402-00219	LABEL CAUTION: EC7500/EC1	1
54	19405-00006	LABEL ARROW	1
55	18647-30501	GC-GR WHEEL: EC7500/EC1	1
55	18607-35502	GC-GR WHEEL: EC7600/EC1	1

CYLINDER COVER / ROTOR / COIL SPRING / RECOIL STARTER / AIR CLEANER

ILLUSTRATION 4 - REV 8/05



CYLINDER COVER / ROTOR / COIL SPRING / RECOIL STARTER / AIR CLEANER

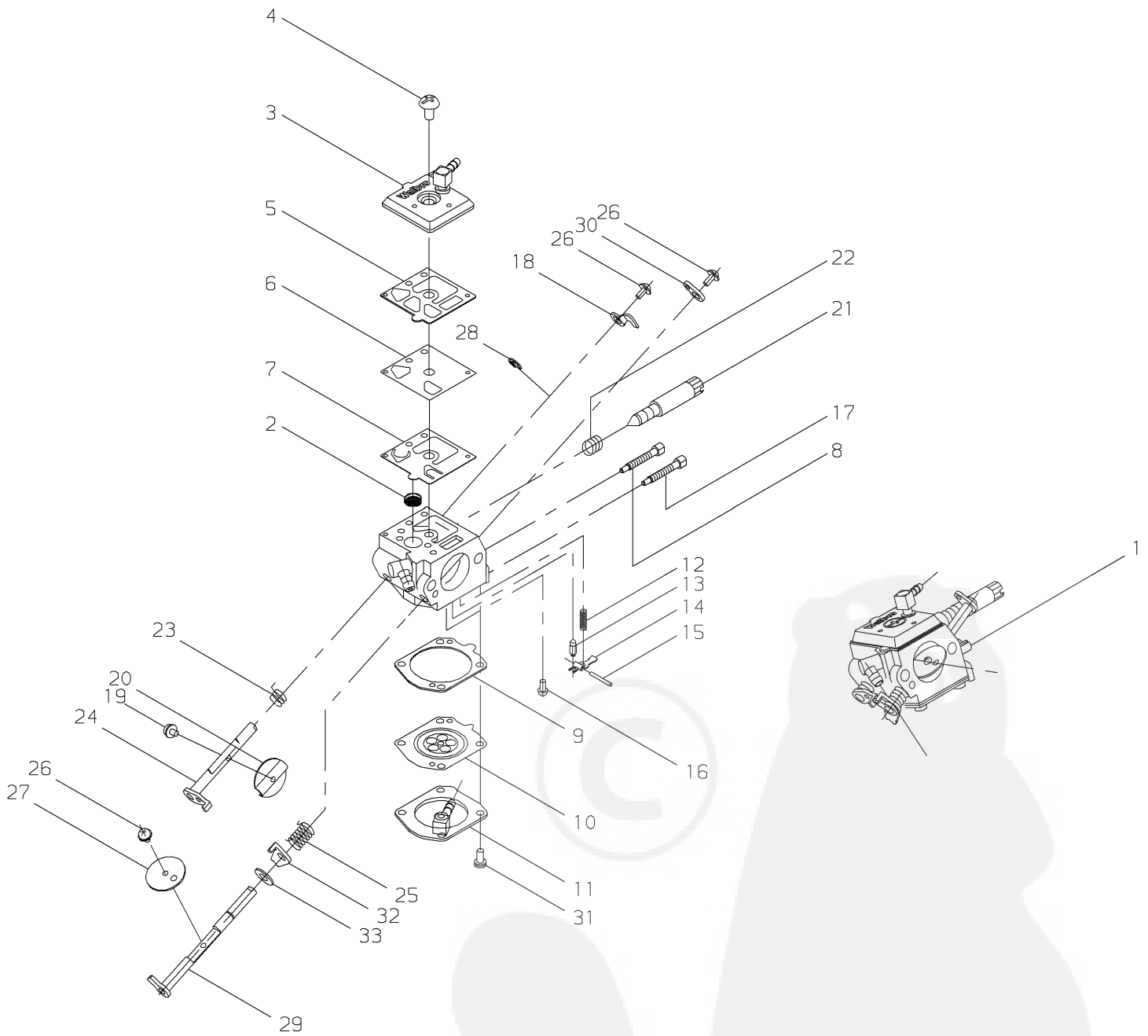
ILLUSTRATION 4 - REV 8/05

Ref. No	Part No.	Part Name	Q'ty
4-1	38010-31111	CYLINDER COVER	1
2	17901-06100	*COLLAR	4
3	38010-31311	SEAL	1
4	38010-31321	SEAL SEAT	1
5	38010-67351	PLUG	1
6	22160-31150	BOLT SW	8
7	38010-71011	ROTOR ASSEMBLY	1
8	38010-71112	*ROTOR	1
9	38010-71120	*RATCHET	2
10	17520-14801	*COIL SPRING	2
11	15401-10030	*COLLAR	2
12	22100-71441	*BOLT	2
13	02403-03100	KEY	1
14	22169-71460	NUT	1
15	38010-71212	COIL	1
16	38010-71320	TUBE	1
17	11022-04160	BOLT SPW	2
18	38010-71330	PLUG CAP	1
19	22154-72230	SPRING PLUG	1
20	14352-01700	LEAD WIRE	1
21	38010-75011	RECOIL STARTER ASSEMBLY	1
22	38010-75310	*RECOIL CASE	1

Ref. No	Part No.	Part Name	Q'ty
23	38010-75320	*OIL SEAL	1
24	38010-75330	*COVER	1
25	38010-75341	*REEL	1
26	38010-75410	*DRUM	1
27	38010-75360	*RECOIL SPRING	1
28	01500-06051	*NUT	1
29	38010-75370	*WASHER	1
30	32003-77370	*SCREW SPW	4
31	22104-75420	*KNOB RECOIL	1
32	22104-75430	*STOPPER KNOB	1
33	38010-75390	*ROPE	1
34	38010-75210	AIR PLATE	1
35	38010-82581	FILTER	1
36	38010-82311	PRE FILTER	1
37	38010-82561	SCREW PMSW	2
38	38010-82590	COLLAR	2
39	38010-82131	CLEANER COVER	1
40	38010-82460	KNOB	1
41	19422-00044	LABEL CAUTION	1
42	38011-91020	LABEL TRADE: EC7600/EC1	1
42	38010-91020	LABEL TRADE: EC7500/EC1	1
43	19401-00300	LABEL INST.	1

CARBURETOR

ILLUSTRATION 5 - REV 8/05



CARBURETOR

ILLUSTRATION 5 - REV 8/05

Ref. No	Part No.	Part Name	Q'ty
5- 1	68006-81010	CARBURETOR ASSEMBLY	1
2	70030-81380	*SCREEN	1
3	22150-81120	*PUMP COVER ASSEMBLY	1
4	22150-81130	*SCREW	1
5	22150-81140	*GASKET PUMP	1
6	22169-81180	*DIAPHRAGM PUMP	1
7	22169-81150	*DIAPHRAGM PUMP	1
8	68006-81320	*L NEEDLE	1
9	22150-81290	*GASKET DIAPHRAGM	1
10	22150-81260	*DIAPHRAGM ASSEMBLY	1
11	38010-81350	*COVER DIAPHRAGM	1
12	22150-81270	*SPRING LEVER	1
13	20036-81440	*NEEDLE VALVE	1
14	22150-81230	*LEVER	1
15	22100-81250	*PIN	1
16	22100-81240	*SCREW	1
17	68006-81330	*H NEEDLE	1

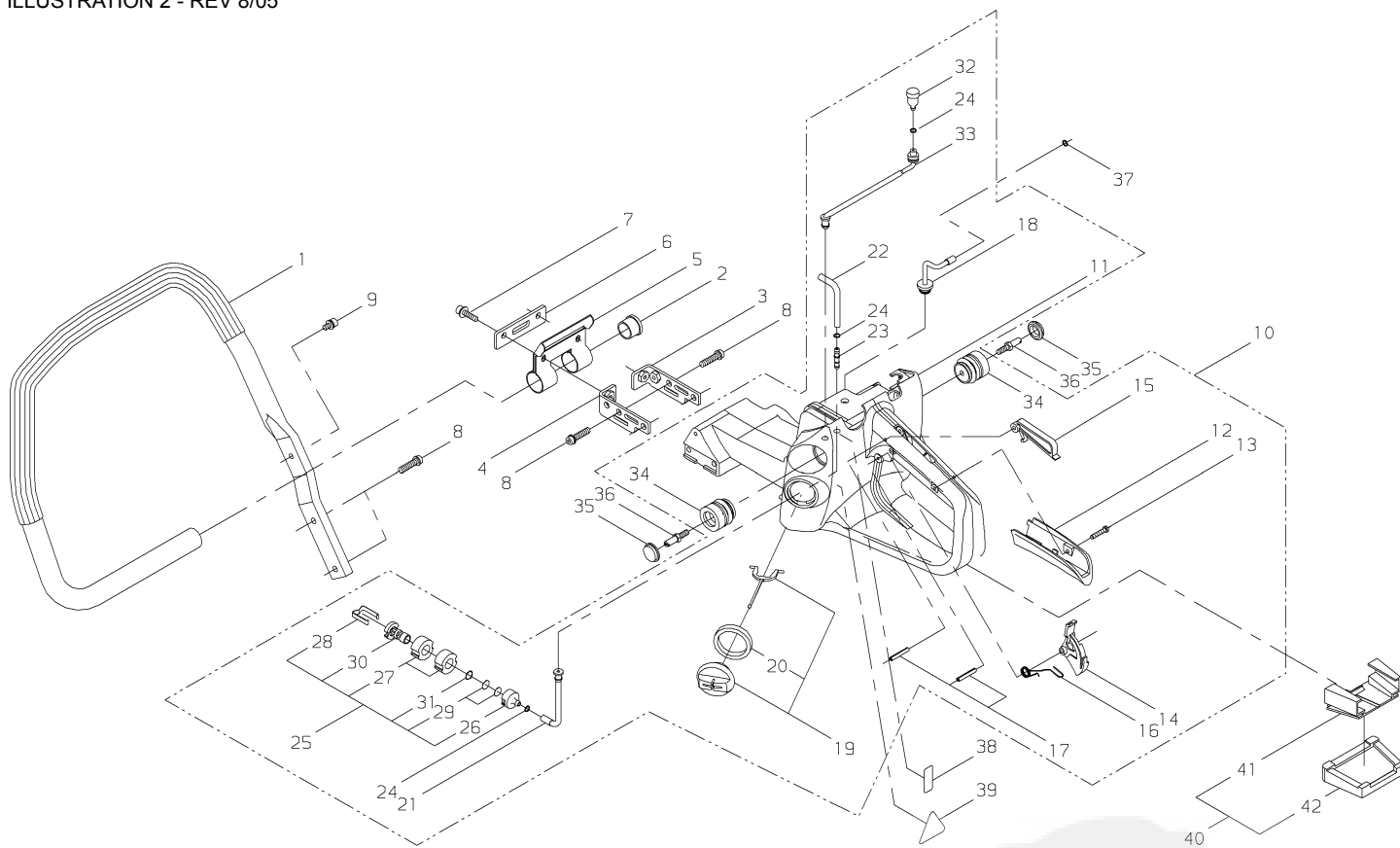
Ref. No	Part No.	Part Name	Q'ty
18	22160-81390	*STOPPER	1
19	20803-81140	*SCREW ASSEMBLY	1
20	22150-81340	*THROTTLE VALVE	1
21	22156-81410	*IDLE SCREW	1
22	22156-81420	*SPRING IDLE	1
23	22150-81430	*RETURN SPRING	1
24	38010-81370	*SHAFT ASSEMBLY	1
25	38010-81380	*SPRING	1
26	20803-81150	*SCREW	3
27	38010-81390	*CHOKE VALVE	1
28	70030-81390	*E-RING	1
29	38010-81400	*SHAFT ASSEMBLY	1
30	22156-81380	*LEVER	1
31	22100-81351	*SCREW	4
32	38010-81420	*LEVER	1
33	20036-81185	*WASHER	1



* Denotes item is part of an assembly ** Denotes item is part of a sub-assembly

HANDLES / THROTTLE LEVER / FUEL FILTER

ILLUSTRATION 2 - REV 8/05

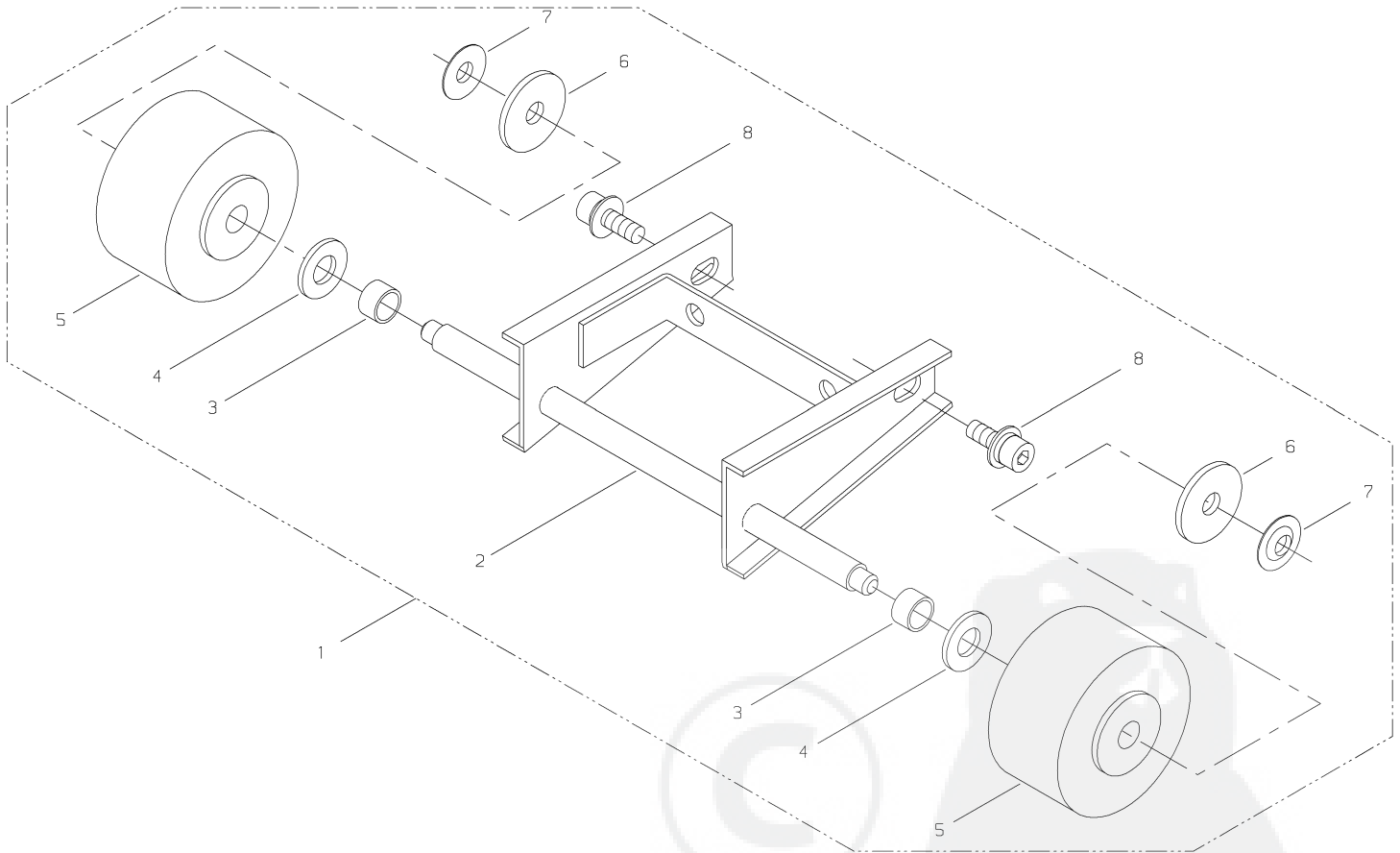


Ref. No	Part No.	Part Name	Q'ty
2-1	38010-32110	FRONT HANDLE	1
2	38010-32440	CAP	1
3	38010-32460	BRACKET RIGHT	1
4	38010-32470	BRACKET LEFT	1
5	38010-32330	BRACKET	1
6	38010-32480	PLATE	1
7	11060-05204	BOLT ADHESIVE	2
8	22169-32220	BOLT PC	6
9	11022-05100	BOLT SPW	1
10	38010-32025	REAR HANDLE ASSEMBLY	1
11	38010-32211	*REAR HANDLE	1
12	22182-33230	*GRIP	1
13	01280-04202	*SCREW TAPPING	1
14	22182-33325	*THROTTLE LEVER	1
15	22182-33331	*LOCK LEVER	1
16	22182-33340	*SPRING LEVER	1
17	12420-40255	*SPRING PIN	2
18	38010-32371	*PIPE	1
19	38010-32041	*CAP ASSEMBLY	1
20	38010-32271	**GASKET	1
21	38010-32381	*PIPE	1

Ref. No	Part No.	Part Name	Q'ty
22	38010-32390	*PIPE	1
23	72933-85620	*JOINT	1
24	20020-85540	*CLIP	3
25	38010-32420	*FUEL FILTER SUB ASSEMBLY	1
26	22128-85410	**FUEL LINE WEIGHT	1
27	38010-32430	**FILTER	2
28	22128-85440	**CLIP FILTER	1
29	22118-85460	**SCREEN	2
30	22128-85470	**SLEEVE	1
31	22128-85480	**RING	1
32	20800-33910	*VALVE	1
33	38010-32412	*PIPE	1
34	72330-33710	*CUSHION 26	2
35	22150-33720	PLUG 26	2
36	22150-33770	STOPPER BOLT 26	2
37	20020-85540	CLIP	1
38	19401-00256	LABEL INST.	1
39	19402-00221	LABEL CAUTION	1
40	38010-32500	RUBBER FOOT COMP.	1
41	38010-32510	*HOLDER	1
42	38010-32520	*RUBBER FOOT	1

CASTER SET

ILLUSTRATION 8 - REV 8/05

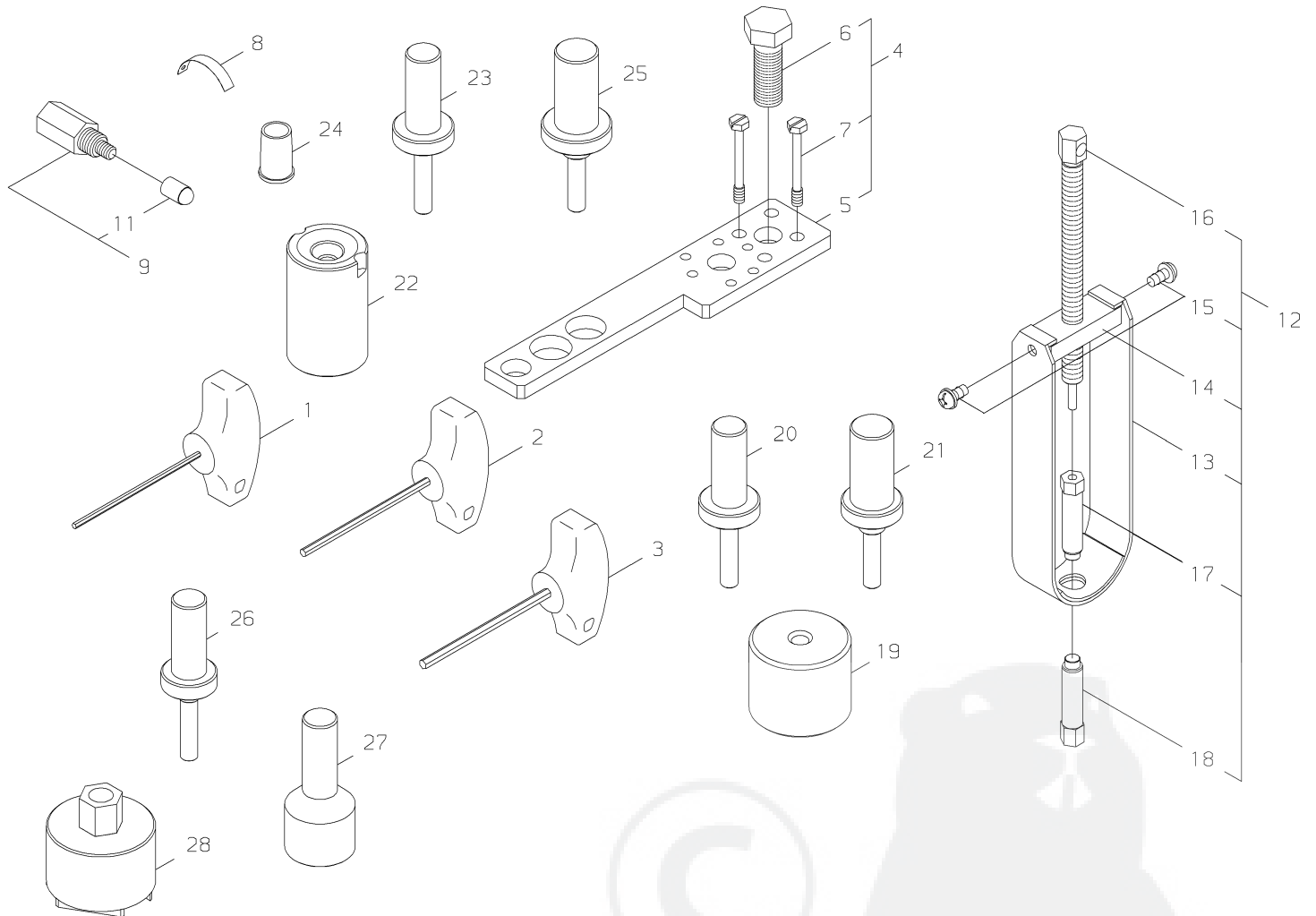


Ref. No	Part No.	Part Name	Q'ty
8-1	CST-EC7500	CASTER SET	1
2	68000-98330	*STAY	1
3	17901-08070	*COLLAR	2
4	01612-00800	*WASHER	2
5	16011-00051	*CASTER	2
6	15401-20008	*COLLAR	2
7	68000-98340	*PUSH NUT	2
8	11060-05141	*BOLT ADHESIVE	2

* Denotes item is part of an assembly ** Denotes item is part of a sub-assembly

TOOL SET

ILLUSTRATION 7 - REV 8/05

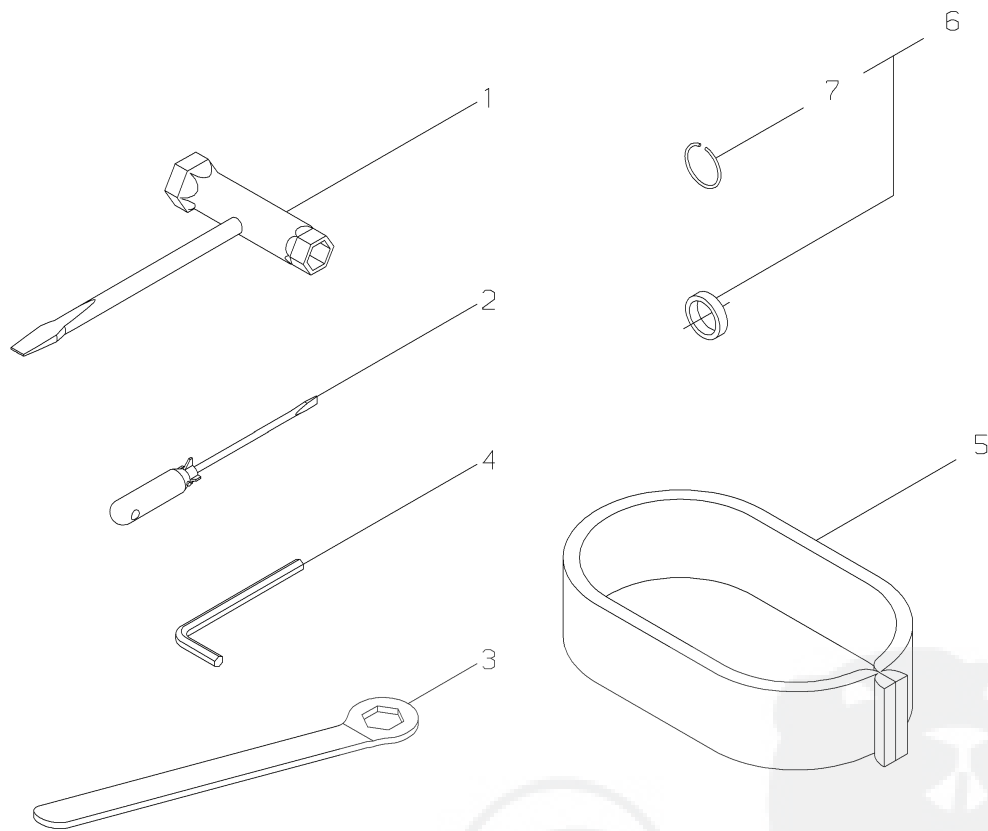


Ref. No	Part No.	Part Name	Q'ty
7-1	22155-96521	T-WRENCH 4MM	1
2	22155-96531	T-WRENCH 5MM	1
3	22155-96540	T-WRENCH 6MM	1
4	22150-96101	PULLER ASSEMBLY	1
5	20000-96114	*LEVER	1
6	22100-96121	*CENTER BOLT	1
7	22102-96130	*BOLT	2
8	20000-96210	AIR GAP GAUGE	1
9	22182-96601	STOPPER ASSEMBLY	1
11	22182-96621	*CAP	1
12	22169-96300	PULLER ASSEMBLY	1
13	22155-96310	*PULLER	1
14	22155-96320	*BOSS	1
15	11204-06120	*SCREW PM	2

Ref. No	Part No.	Part Name	Q'ty
16	22155-96340	*BOLT	1
17	22169-96350	*PIN ADAPTER	1
18	22169-96360	*GUIDE PIN	1
19	22169-96410	HOLDER M	1
20	22169-96420	ROD OIL SEAL M	1
21	22169-96430	ROD 6202	1
22	38010-98010	HOLDER	1
23	22169-96450	ROD OIL SEAL C	1
24	22169-96460	COLLAR OIL SEAL	1
25	22169-96470	ROD 6203	1
26	38010-98020	ROD	1
27	38010-98040	ROD	1
28	38010-98050	PULLER	1

TOOL SET

ILLUSTRATION 6 - REV 8/05



Ref. No	Part No.	Part Name	Q'ty
6- 1	72320-91410	PLUG WRENCH	1
2	22150-91160	DRIVER	1
3	19020-17001	WRENCH	1
4	09026-06001	HEX WRENCH 7MM	1
5	38010-98090	PRE FILTER	1
6	38010-98071	COLLAR SET ϕ 20	1
6	38010-98310	COLLAR SET ϕ 25.4	1
6	38010-98320	COLLAR SET ϕ 30.5	1
7	68000-69310	*SNAP RING	1

* Denotes item is part of an assembly ** Denotes item is part of a sub-assembly



shindaiwa

www.shindaiwa.com

11975 SW Herman Road, Tualatin, Oregon 97062, U.S.A.

1 + 503.692.3070 • fax 1 + 503.692.6696 •

Item #xxxx Effective 08/05