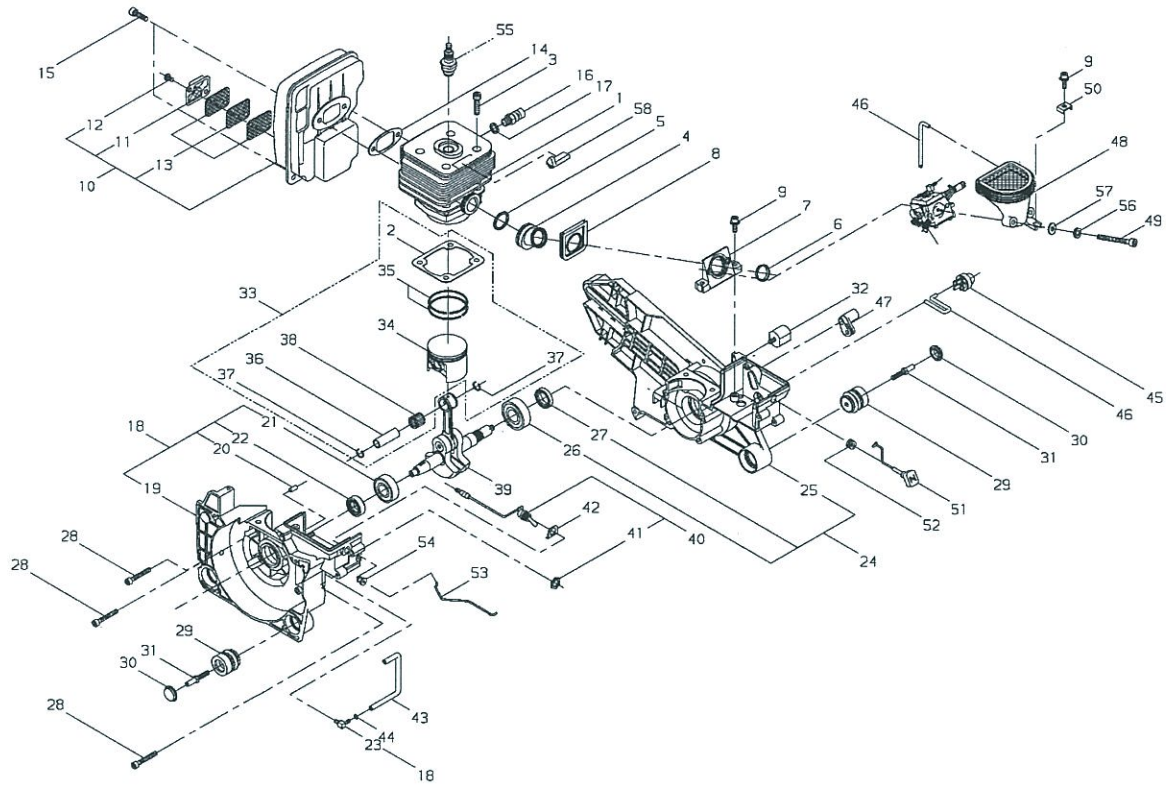


EC7600W EC1, -1--1, ENGINE
EC7600W EC1, 2010/03/31



EC7600W EC1, -1--1, ENGINE
 EC7600W EC1, 2010/03/31

Key	Lv	Part no.	Part description	Quantity	Note1	Note2
1		A130-001680	CYLINDER	1		
2	·	V100-000580	GASKET	1		
3		V204-000690	BOLT	4	M6×25	
4		A202-000190	BOOTS	1		
5		V451-000920	SPRING	1		
6		V360-000120	SLEEVE	1		
7		A200-000890	BRACKET	1		
8		A203-000020	SEAL	1		
9		V203-001020	BOLT,5	3	M5×14	
10		A030-000640	MUFFLER ASSY	1		
11	·	A312-000020	TAIL PLATE	1		
12	·	91578-05008	SCREW PM	2	M5×8	
13	·	A310-000340	SCREEN	3		
14		V104-001630	GASKET	1		
15		V204-000700	BOLT ADHESIVE	4	M6×20	
16		A014-000090	DECOMPRESSION	1		
17		V109-000150	GASKET	1		
18		P021-029210	CRANK CASE M COMP	1		
19	·	A120-000750	CRANK CASE M	1		
20	·	V623-000060	ROLLER	2		
21	·	900810-36202	BEARING, BALL 6202	1	6202	
22	·	V508-000080	OIL SEAL	1		
23		V185-000000	PULSE JOINT	1		
24		P021-025831	CRANK CASE C COMP	1		
25	·	A120-000790	CRANK CASE C	1		
26	·	900810-36203	BEARING, BALL 6203	1	6203	
27	·	V510-000030	OIL SEAL	1		
28		V203-001450	BOLT	6	M5×35	
29		V401-000430	CUSHION 26	4		
30		V421-000060	PLUG 26	4		
31		V203-001650	STOPPER BOLT	4		
32		V401-000450	CUSHION	1		
33		P021-029250	PISTON ASSY	1		
34	·	A100-000890	PISTON	1		
35	·	A101-000560	PISTON RING	2		
36	·	V610-000010	PISTON PIN	1		

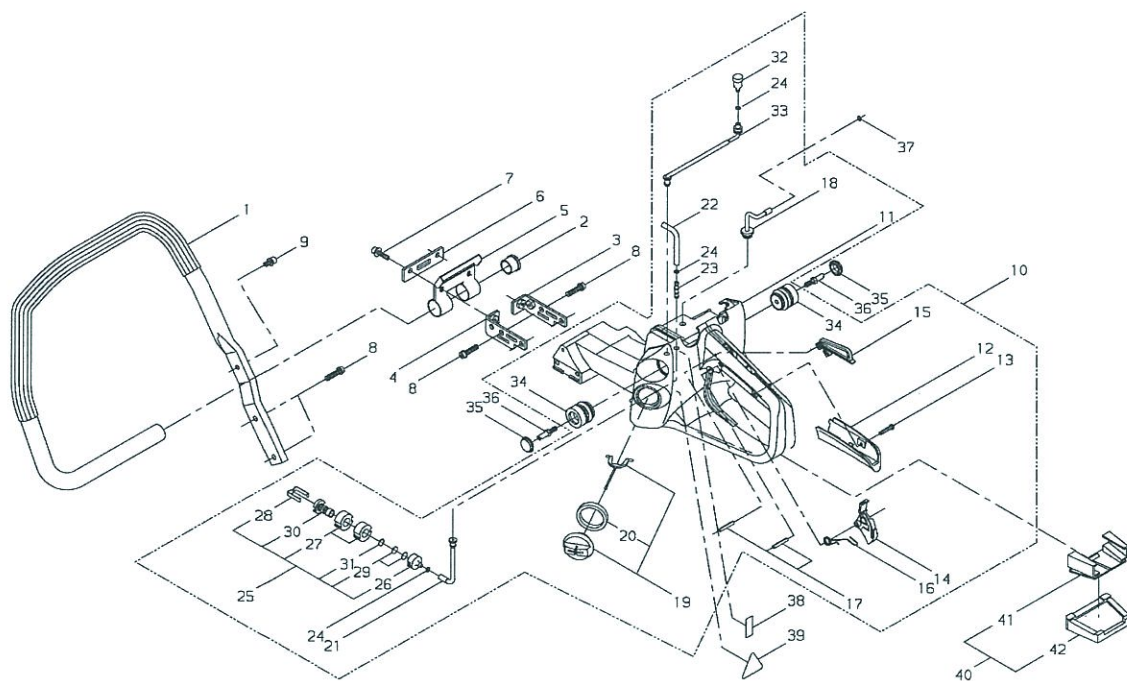
EC7600W EC1, -1--1, ENGINE
 EC7600W EC1, 2010/03/31

Key	Lv	Part no.	Part description	Quantity	Note1	Note2
37	·	V580-000060	SNAP RING	2		
38	·	V557-000030	BEARING SE	1		

39	A011-001070	CRANK SHAFT	1	
40	A440-001680	SWITCH ASSY	1	
41	V266-000090	NUT,10	1	
42	A439-000550	SWITCH PLATE	1	
43	V470-001640	PULSE PIPE	1	
44	V490-000760	CLIP,PULSE	1	
45	123181-39130	PUMP, PRIMER	1	
46	V470-001650	PIPE	2	
47	V131-000170	GROMMET CABURETOR	1	
48	A204-000190	ELBOW	1	
49	900105-05060	BOLT, H.S. 5*60	2	M5×60
50	V150-002560	PLATE	1	
51	A240-000180	CHOKE ROD	1	
52	V130-000160	GROMMET CHOKE	1	
53	C454-000320	THROTTLE ROD	1	
54	V133-000040	GROMMET	1	
55	159010-10230	PLUG, SPARK (BPMR-7A	1	BPMR7A
56	900605-00005	WASHER, SPRING 5	2	Φ5
57	900603-00005	WASHER 5	2	Φ5
58	V420-002920	EDGE RUBBER	1	



EC7600W EC1, -1--1, REAR HANDLE
EC7600W EC1, 2010/03/31



EC7600W EC1, -1--1, REAR HANDLE
 EC7600W EC1, 2010/03/31

Key	Lv	Part no.	Part description	Quantity	Note1	Note2
1		C040-000630	FRONT HANDLE	1		
2		V494-000340	CAP	1		
3		C519-002430	BRACKET RIGHT	1		
4		C519-002440	BRACKET LEFT	1		
5		C405-000450	BRACKET	1		
6		V150-002570	PLATE	1		
7		V203-001680	BOLT ADHESIVE	2	M5×20	
8		V204-000710	BOLT PC	6	φ6×23	
9		V203-001710	BOLT SPW	1	M5×10	
10		C410-000790	REAR HANDLE ASSY	1		
11	·	C410-000820	REAR HANDLE	1		
12	·	C403-000530	GRIP	1		
13	·	91449-04022	SCREW TAPPING	1	4x22	
14	·	C450-000640	TRIGGER, THROTTLE	1		
15	·	C460-000310	LOCKOUT, THROTTLE	1		
16	·	V452-000850	SPRING, TORSION	1		
17	·	93060-40250	PIN, SPRING	2	φ4×25	
18	·	V470-001610	PIPE	1		
19	·	A033-000250	CAP ASSY	1		
20	· ·	V107-000090	GASKET, FUEL CAP	1		
21	·	V470-001620	PIPE	1		
22	·	V471-002830	PIPE	1		
23	·	V186-000210	JOINT	1		
24	·	V490-000500	CLIP	3		
25	·	A369-000120	FUEL FILTER SUB ASSY	1		
26	· ·	A369-000130	FUEL LINE WEIGHT	1		
27	· ·	A371-000030	FILTER	2		
28	· ·	V490-000750	CLIP FILTER	1		
29	· ·	A371-000010	ELEMENT	2		
30	· ·	A372-000000	SLEEVE	1		
31	· ·	V583-000200	RING	1		
32	·	A356-000140	VALVE, CHECK	1		
33	·	V470-001630	PIPE	1		
34	·	V401-000430	CUSHION 26	2		
35		V421-000060	PLUG 26	2		
36		V203-001660	STOPPER BOLT 26	2		

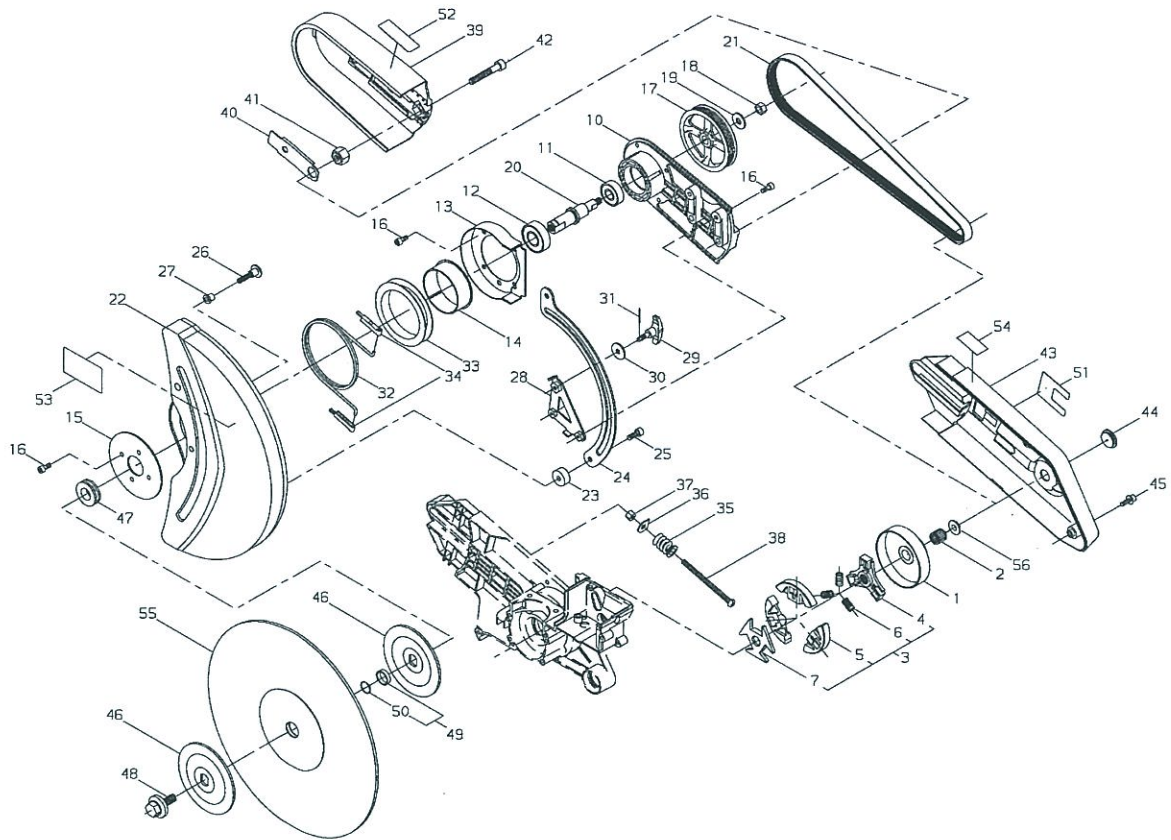
EC7600W EC1, -1--1, REAR HANDLE
 EC7600W EC1, 2010/03/31

Key	Lv	Part no.	Part description	Quantity	Note1	Note2

37		V490-000500	CLIP	1		
38		X524-002680	LABEL INST	1		
39		X505-004010	LABEL CAUTION	1		
40		A175-000240	RUBBER FOOT COMP	1		
41	·	A175-000250	HOLDER	1		
42	·	V420-002860	RUBBER FOOT	1		



EC7600W EC1, -1--1, CUTTER
EC7600W EC1, 2010/03/31



EC7600W EC1, -1--1, CUTTER
 EC7600W EC1, 2010/03/31

Key	Lv	Part no.	Part description	Quantity	Note1	Note2
1		A556-001190	CLUTCH DRUM	1	EC7500	
1		A556-001200	CLUTCH DRUM	1	EC7600	
2		V558-000010	NEEDLE BEARING	1		
3		A056-000650	CLUTCH ASSY	1		
4	·	A552-000290	CLUTCH BOSS A	1		
5	·	A555-000260	CLUTCH SHOE	3		
6	·	A566-000210	CLUTCH SPRING	3		
7	·	A552-000300	CLUTCH BOSS B	1		
10		C530-000080	BEARING CASE	1		
11		900812-06201	BEARING, BALL 6201	1	6201DDU	
12		900812-06203	BEARING, BALL 6203	1	6203DDU	
13		C235-000000	SPRING PLATE	1		
14		V583-000210	SLIDE RING	1		
15		V316-000020	BEARING PLATE	1		
16		900105-05016	BOLT, H.S. 5*16	10	M5×16	
17		V176-000120	DRIVE PULLY	1		
18		900500-00008	NUT 8	1	M8	
19		V306-000330	COLLAR	1		
20		C504-000920	DRIVE SHAFT	1		
21		V196-000120	DRIVE BELT	1		
22		C370-000090	WHEEL GUARD	1	EC7500	
22		C370-000050	WHEEL GUARD	1	EC7600	
23		V354-000340	COLLAR	2		
24		C371-000050	SLIDE PLATE	1		
25		900105-06020	BOLT, H.S. 6*20	2	M6×20	
26		A557-000040	BOLT	2		
27		V375-000370	COLLAR	2		
28		C371-000030	LOCK PLATE	1		
29		V299-000470	KNOB	1		
30		V304-000320	COLLAR	1		
31		900342-20012	PIN, SPRING	1	Φ2.0×12	
32		V452-001020	COIL SPRING	1		
33		C235-000010	SPRING GUIDE	1		
34		V456-000210	SPRING HOLDER	2		
35		V450-001240	COIL SPRING	1		
36		V304-000290	WASHER	1		

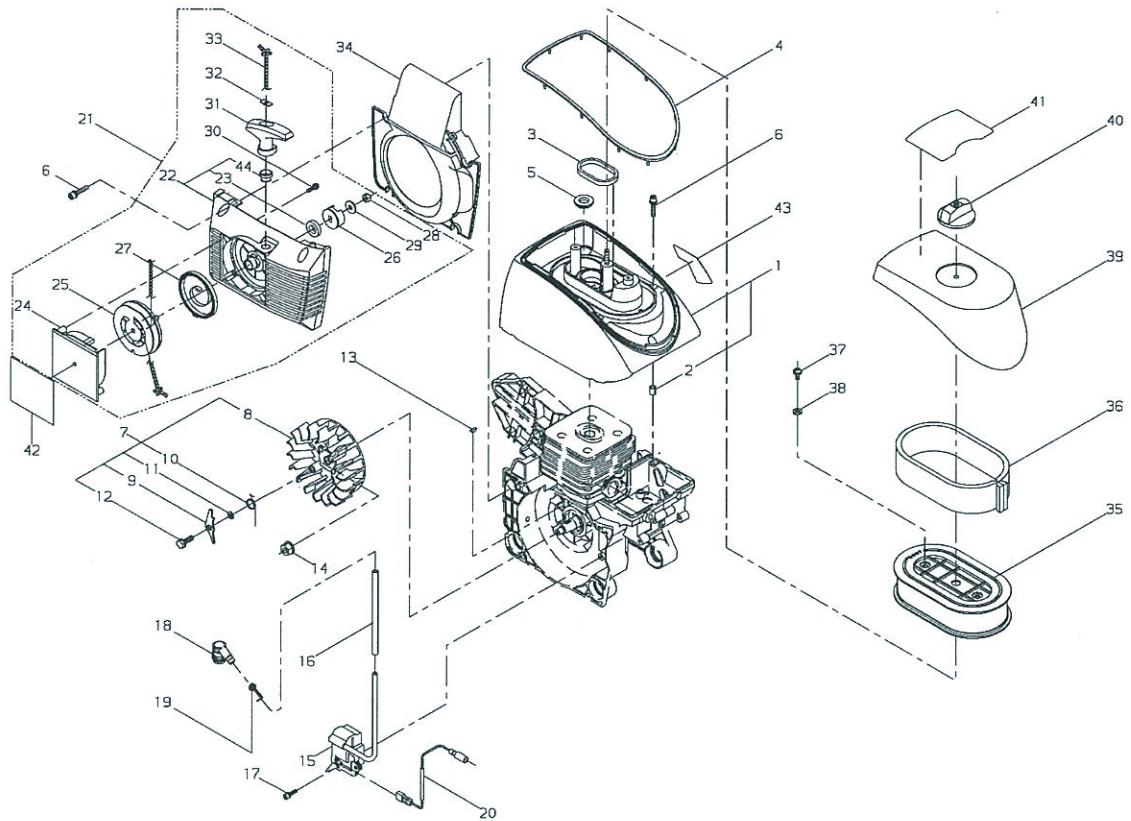
EC7600W EC1, -1--1, CUTTER
 EC7600W EC1, 2010/03/31

Key	Lv	Part no.	Part description	Quantity	Note1	Note2
37		V264-000190	NUT	1		
38		91579-06090	SCREW ADHESIVE	1	M6×90	
39		C361-000090	PULLY COVER	1		
40		V150-002580	TENSION PLATE	1		
41		V270-000030	TENSION BLOCK	1		

42	91100-08050	BOLT	2	M8×50	
43	C361-000070	CLUTCH COVER	1		
44	V141-000120	PLUG	1		
45	V203-001020	BOLT,5	2	M5×14	
46	C365-000090	INNER FLANGE	2		
47	V360-000160	COLLAR	1		
48	V206-000280	FLANGE BOLT	1		
49	P021-035070	COLLAR SET	1	φ20	
50	V582-000210	SNAP RING	1		
51	X504-004570	LABEL TRADE	1	EC7500	
51	X504-004610	LABEL TRADE	1	EC7600	
52	X524-002670	LABEL INST	1		
53	X505-004000	LABEL CAUTION	1	EC7500	
53	X505-004050	LABEL CAUTION	1	EC7600	
54	X524-002690	LABEL ARROW	1		
55	M618-000010	GC-GR WHEEL	1	EC7500 12"	
55	M618-000000	GC-GR WHEEL	1	EC7600 14"	
56	V265-000260	NUT	1	M8	



EC7600W EC1, -1--1, COVER
EC7600W EC1, 2010/03/31



EC7600W EC1, -1--1, COVER
 EC7600W EC1, 2010/03/31

Key	Lv	Part no.	Part description	Quantity	Note1	Note2
1		A160-002140	CYLINDER COVER	1		
2	·	V354-000290	COLLAR	4		
3		A228-000000	SEAL	1		
4		A228-000010	SEAL SEAT	1		
5		V141-000120	PLUG	1		
6		V203-001640	BOLT SW	8	M5x25	
7		A409-000980	ROTOR ASSY	1		
8	·	A409-000990	ROTOR	1		
9	·	A514-000240	RATCHET	2		
10	·	V452-000990	COIL SPRING	2		
11	·	V304-000300	COLLAR	2		
12	·	V204-000720	BOLT	2		
13		93115-03010	KEY	1		
14		V265-000220	NUT	1	M8x1.0	
15		A411-001100	COIL	1		
16		V475-005290	TUBE	1		
17		V202-000580	BOLT SPW	2	M4x16	
18		A427-000160	PLUG CAP	1		
19		A426-000040	TERMINAL,SPARKPLUG	1		
20		V485-002100	LEAD WIRE	1		
21		A051-002130	RECOIL STARTER ASSY	1		
22	·	A500-001200	RECOIL CASE	1		
23	· ·	V505-000150	OIL SEAL	1		
24		A519-000050	COVER	1		
25		A506-000430	REEL	1		
26		A507-000060	DRUM	1		
27		A504-000240	RECOIL SPRING	1		
28		900500-00006	NUT 6	1		
29		V304-000310	WASHER	1		
30		V252-000530	SCREW SPW	1		
31		A511-000210	KNOB RECOIL	4		
32		E184-000010	STOPPER KNOB	1		
33		A509-000410	ROPE	1		
34		A172-001490	AIR PLATE	1		
35		A226-001270	FILTER	1		
36		A226-001280	PRE FILTER	1		

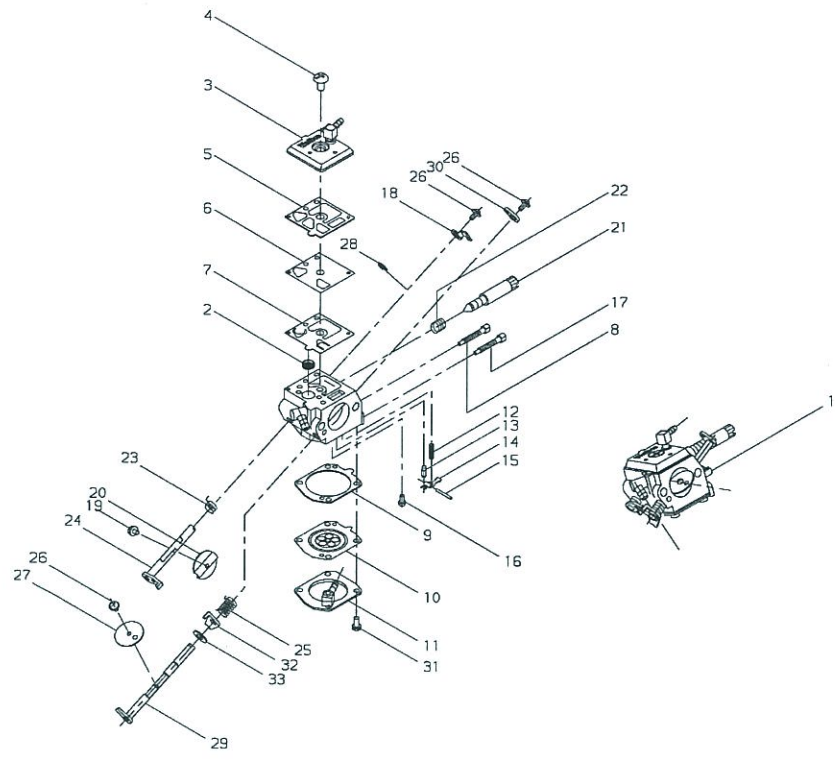
EC7600W EC1, -1--1, COVER
 EC7600W EC1, 2010/03/31

Key	Lv	Part no.	Part description	Quantity	Note1	Note2
37		V253-000730	SCREW PM SW	2	M5x12	
38		V353-000520	COLLAR	2		
39		A232-001290	CLEANER COVER	1		
40		A235-000320	KNOB	1		

41		X505-004030	LABEL CAUTION	1		
42		X504-004560	LABEL TRADE	1	EC7500	
42		X504-004600	LABEL TRADE	1	EC7600	
43		X524-002630	LABEL INST	1		
44	· ·	A510-000150	GUIDE	1		



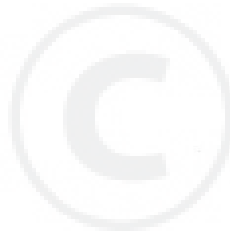
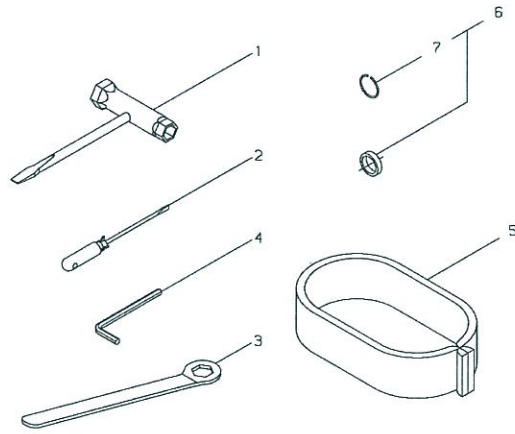
EC7600W EC1, -1--1, CARBURETOR
EC7600W EC1, 2010/03/31



EC7600W EC1, -1--1, CARBURETOR
 EC7600W EC1, 2010/03/31

Key	Lv	Part no.	Part description	Quantity	Note1	Note2
1		A021-003150	CARBURETOR ASSY	1		
2	·	123126-10631	SCREEN, INLET	1		
3	·	P003-002850	PUMP COVER ASSY	1		
4	·	123110-16130	SCREW, PUMP COVER	1		
5	·	123125-12330	GASKET, FUEL PUMP	1		
6	·	P003-003150	DIAPHRAGM PUMP	1		
7	·	P003-003130	DIAPHRAGM PUMP	1		
8	·	68006-81320	L NEEDLE	1	L	
9	·	123140-16130	GASKET, M. DIAPHRAGM	1		
10	·	123141-16130	DIAPHRAGM, METERING	1		
11	·	P003-003300	COVER DIAPHRAGM	1		
12	·	123122-16131	SPRING, METER. LEVER	1		
13	·	123137-19830	VALVE, INLET NEEDLE	1		
14	·	123123-18330	LEVER, METERING	1		
15	·	123138-03930	PIN, METERING LEVER	1		
16	·	123139-03930	SCREW, M. LEVER PIN	1		
17	·	P003-004640	VALVE, THROTTLE	1	H	
18	·	123156-30830	STOP, THROTTLE	1		
19	·	123114-05260	SCREW	1		
20	·	123116-16130	VALVE, THROTTLE	1		
21	·	P003-003030	IDLE SCREW	1		
22	·	123133-04260	SPRING, IDLE ADJUST	1		
23	·	P003-000560	SPRING, THRT. RETURN	1		
24	·	P003-003320	SHAFT ASSY	1		
25	·	P003-000610	SPRING	1		
26	·	123114-38830	SCREW	3		
27	·	P003-003330	CHOKE VALVE	1		
28	·	123127-15030	RING	1		
29	·	P003-003340	SHAFT ASSY	1		
30	·	P003-003020	LEVER	1		
31	·	123130-02960	SCREW	4		
32	·	P003-000620	LEVER-FAST IDLE	1		
33	·	123149-26030	WASHER	1		

EC7600W EC1, -1--1, OPTION
EC7600W EC1, 2010/03/31

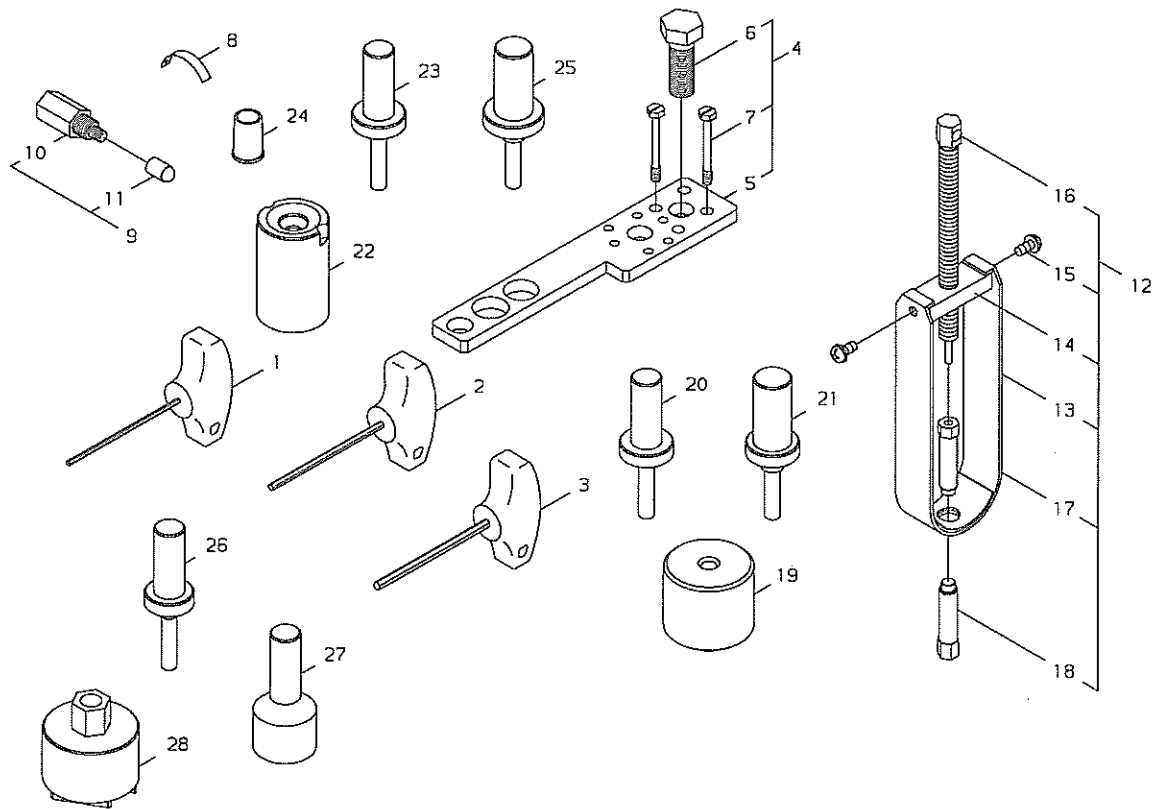


EC7600W EC1, -1--1, OPTION
EC7600W EC1, 2010/03/31

Key	Lv	Part no.	Part description	Quantity	Note1	Note2
1		X602-000120	TOOL,WRENCH	1	19-13	
2		X603-000030	DRIVER	1		
3		X602-000200	WRENCH	1		
4		X605-000120	HEXA WRENCH 7MM	1	6mm	
5		A226-001310	PRE FILTER	1		
6		P021-025860	COLLAR SET	1	φ22	
6		P021-034830	COLLAR SET	1	φ25.4	
6		P021-025850	COLLAR SET	1	φ30.5	
7		V582-000210	SNAP RING	1		



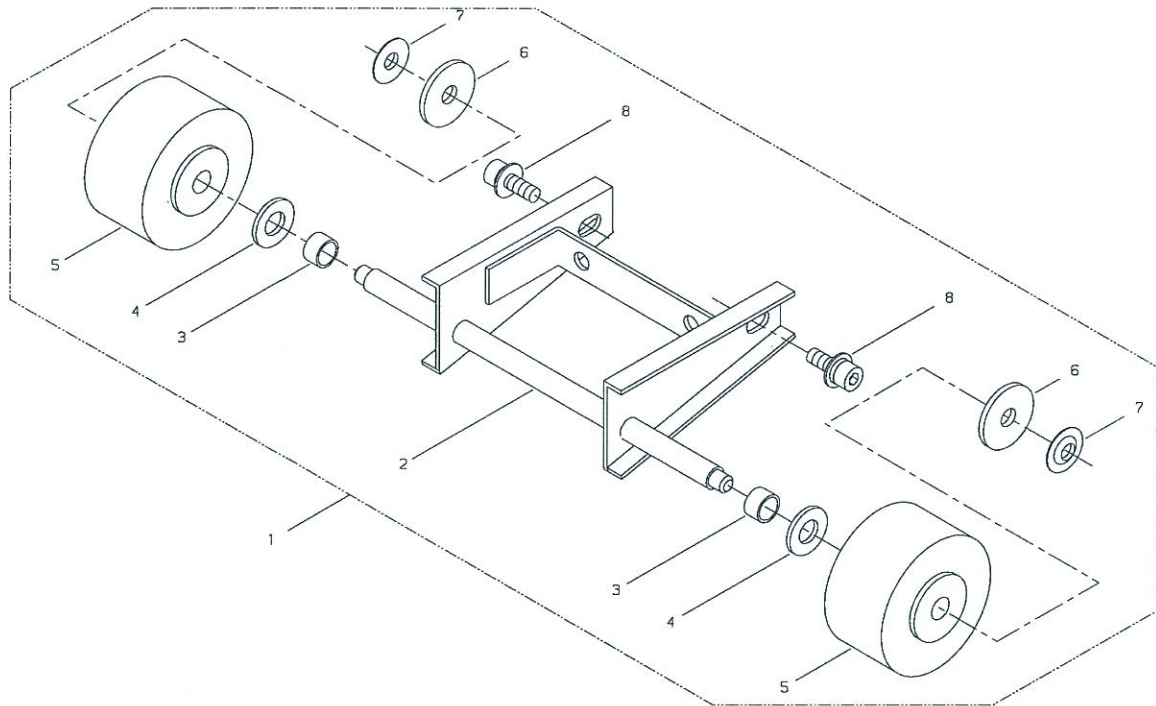
EC7600W EC1, -1-1, OPTION TOOL
EC7600W EC1, 2010/03/31



EC7600W EC1, -1--1, OPTION TOOL
 EC7600W EC1, 2010/03/31

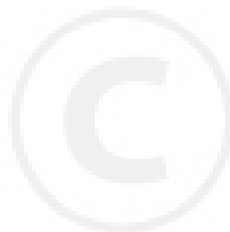
Key	Lv	Part no.	Part description	Quantity	Note1	Note2
1		X602-000210	T WRENCH 4	1		
2		X602-000220	T WRENCH 5	1		
3		X602-000230	T WRENCH 6	1		
4		X640-000080	PULLER ASSY	1		
5	·	X640-000270	TOOL,PULLER	1		
6	·	V209-000090	BOLT,16	1		
7	·	V204-001420	BOLT,6	2		
8		X623-000030	AIR GAP GAUGE	1	t=0.3-0.35	
9		X644-000020	STOPPER ASSY	1		
10	·	22182-96601	STOPPER ASSY	1		
11	·	C205-000190	CAP,OIL	1		
12		X640-000090	PULLER ASSY	1		
13	·	X640-000260	TOOL,PULLER	1		
14	·	X648-000020	TOOL,CENTERING	1		
15	·	91572-06012	SCREW PM	2		
16	·	V207-000210	BOLT,12	1		
17	·	22169-96350	PIN ADAPTER	1		
18	·	22169-96360	GUIDE PIN	1		
19		X643-000010	HOLDER M	1		
20		X646-000040	ROD OIL SEAL M	1		
21		X646-000050	ROD 6202	1		
22		X643-000020	HOLDER	1		
23		X646-000060	ROD OIL SEAL C	1		
24		X646-000070	COLLAR OIL SEAL	1		
25		X646-000081	TOOL,PRESS	1		
26		X646-000090	ROD	1		
27		X646-000100	ROD	1		
28		X640-000100	PULLER	1		

EC7600W EC1, -1-1, OPTION (CASTER)
EC7600W EC1, 2010/03/31

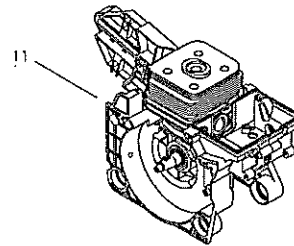
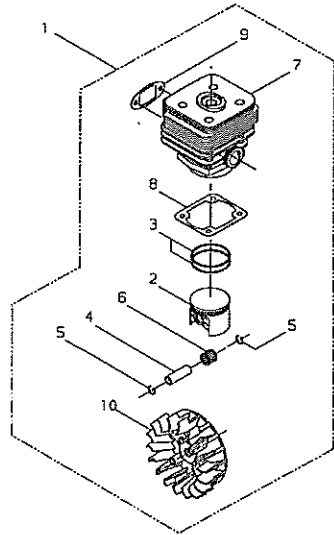


EC7600W EC1, -1--1, OPTION (CASTER)
EC7600W EC1, 2010/03/31

Key	Lv	Part no.	Part description	Quantity	Note1	Note2
1		CST-EC7500	CASTER	1		
2	·	C519-002420	STAY	1		
3	·	V355-000500	COLLAR	2	8 , L=7	
4	·	900602-00008	WASHER 8	2		
5	·	C705-000220	CASTER	2	427S-RD-50	
6	·	V304-000320	COLLAR	2		
7	·	V264-000200	PUSH NUT	2	OCHIAI SPN-6	
8	·	V203-001020	BOLT,5	2	M5×14	



EC7600W EC1, -1-1, OPTION
EC7600W EC1, 2010/03/31

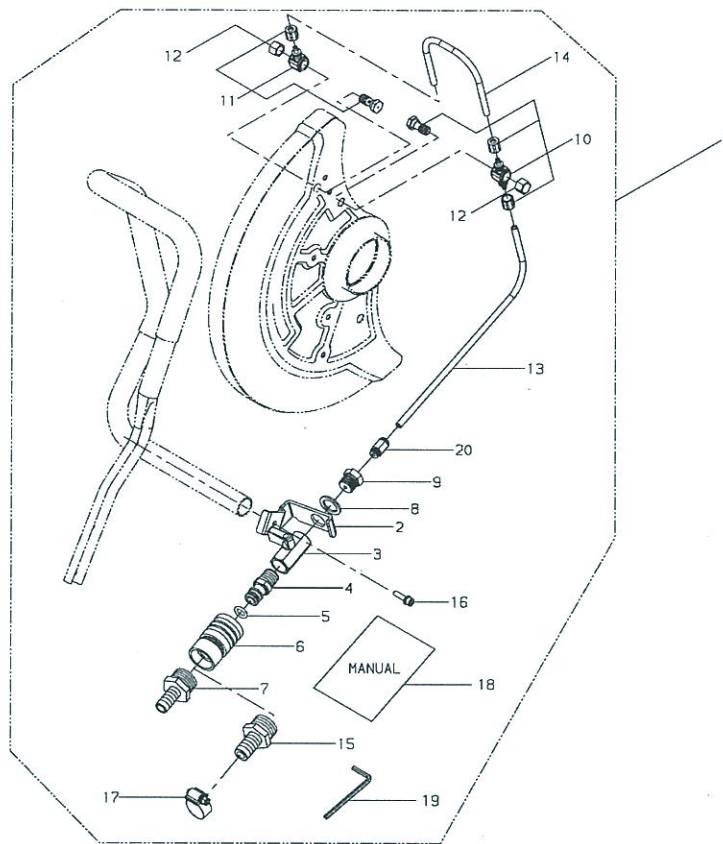


EC7600W EC1, -1--1, OPTION
EC7600W EC1, 2010/03/31

Key	Lv	Part no.	Part description	Quantity	Note1	Note2
1		P021-025880	CYLINDER SET	1		
2	·	A100-000890	PISTON	1		
3	·	A101-000560	PISTON RING	2		
4	·	V610-000010	PISTON PIN	1		
5	·	V580-000060	SNAP RING	2		
6	·	V557-000030	BEARING SE	1		
7	·	A130-001680	CYLINDER	1		
8	·	V100-000580	GASKET	1		
9	·	V104-001630	GASKET	1		
10	·	A409-000990	ROTOR	1		
11		P021-029230	SHORT BLOCK	1		



EC7600W EC1, -1--1, WATER SYSTEM KIT
EC7600W EC1, 2010/03/31



EC7600W EC1, -1--1, WATER SYSTEM KIT
 EC7600W EC1, 2010/03/31

Key	Lv	Part no.	Part description	Quantity	Note1	Note2
1		M061-000010	WATER SYSTEM KIT	1		
2	·	E258-000110	BRACKET	1		
3	·	E245-000090	COCK,LIQUID	1		
4	·	A373-000120	CONNECTOR	1		
5	·	V581-000320	O RING	1		
6	·	V700-000140	COUPLER	1		
7	·	E231-000050	HOSE JOINT	1	1/2"(φ14)	
8	·	V360-000170	SPACER	1		
9	·	A373-000130	JOINT	1		
10	·	K033-000510	NOZZLE,UNIT	1		
11	·	K033-000520	NOZZLE,UNIT	1		
12	·	M652-000000	NUT	2		
13	·	V471-002840	TUBE	1	L370	
14	·	V471-002850	TUBE	1	L235	
15	·	E231-000060	HOSE JOINT	1	5/8"(φ17)	
16	·	V203-000350	BOLT SPW	1	M5x20	
17	·	V490-000770	CLAMP	1		
18	·	68020-93500	MANUAL	1		
19	·	X605-000100	TOOL,L WRENCH	1	4mm M5	
20	·	A373-000140	CONNECTOR	1		