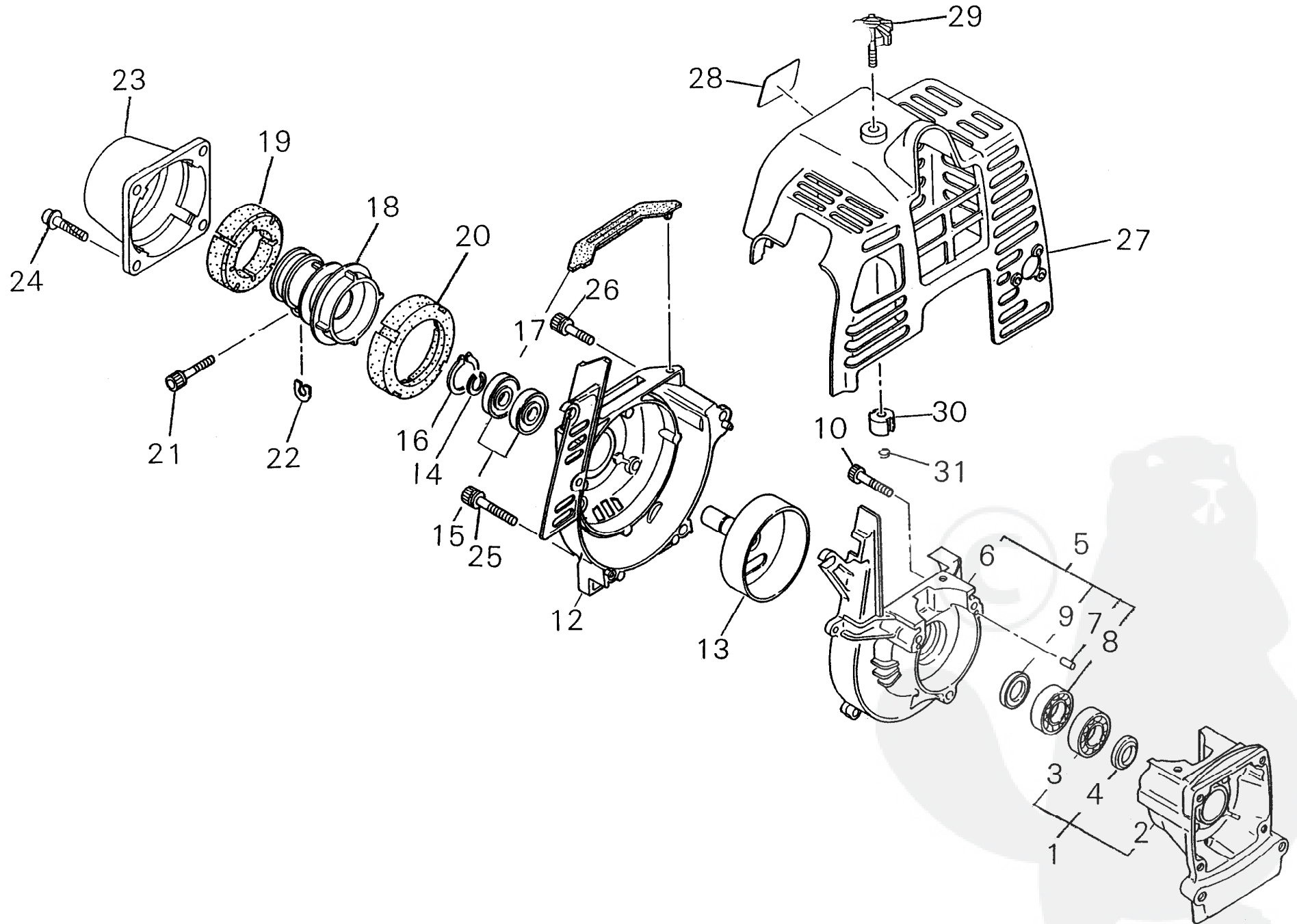
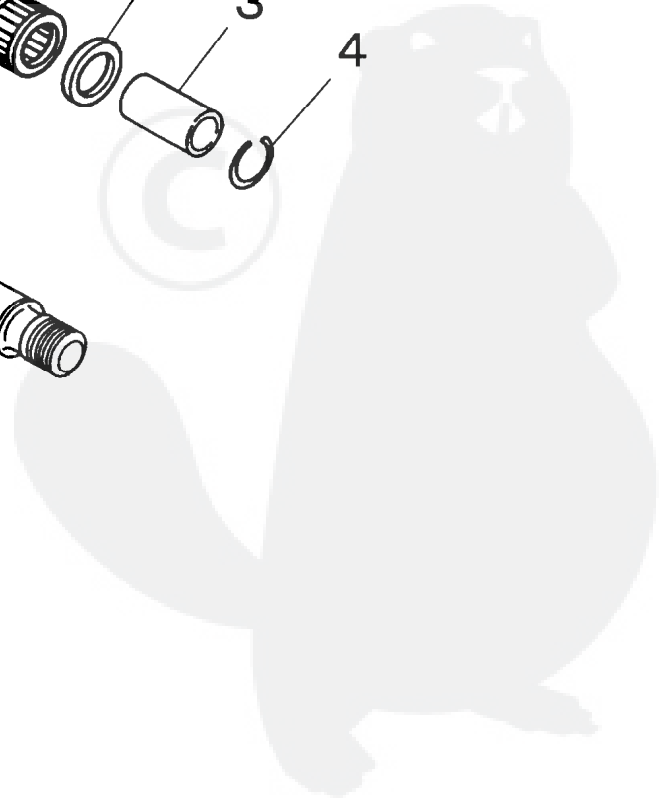
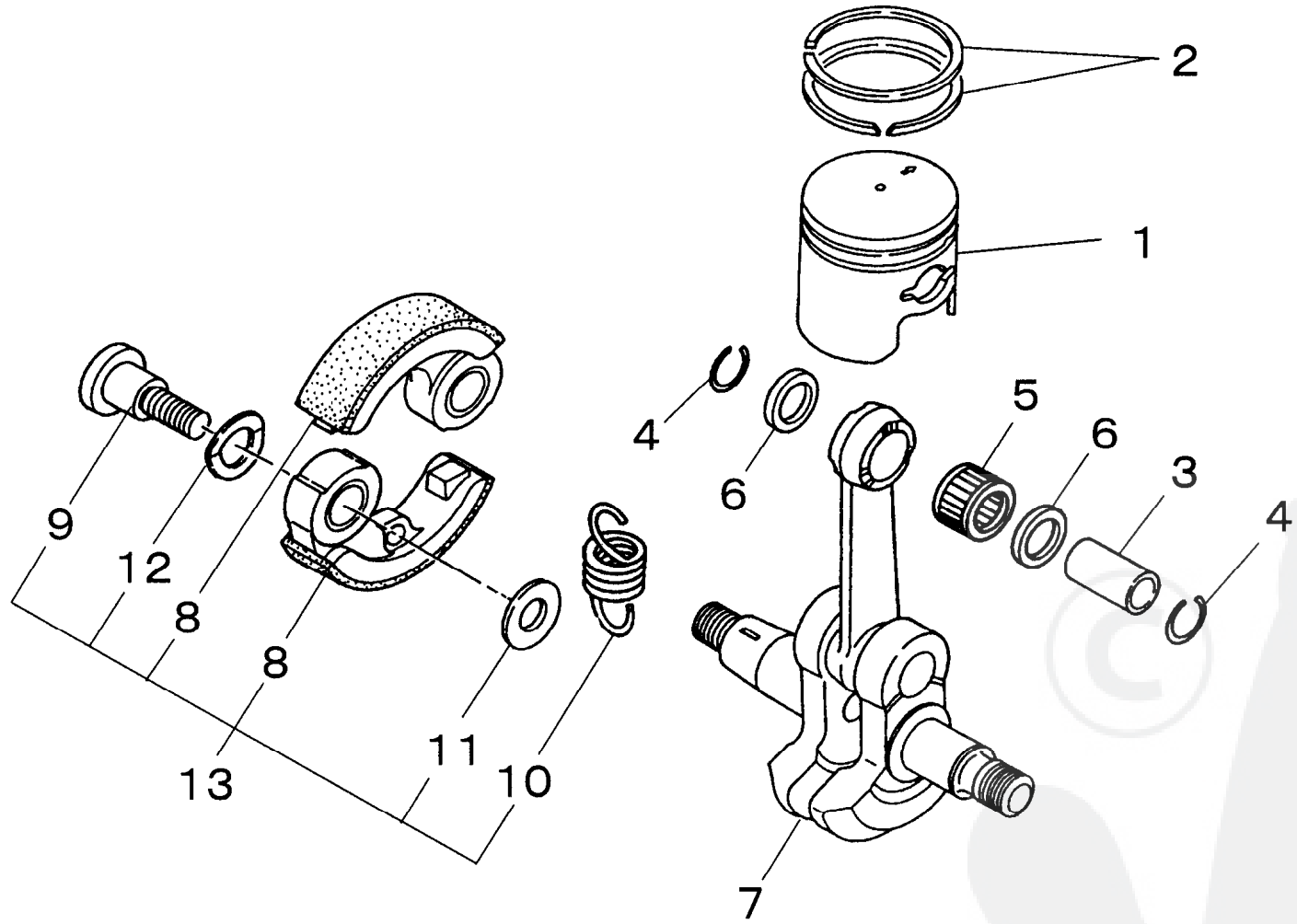


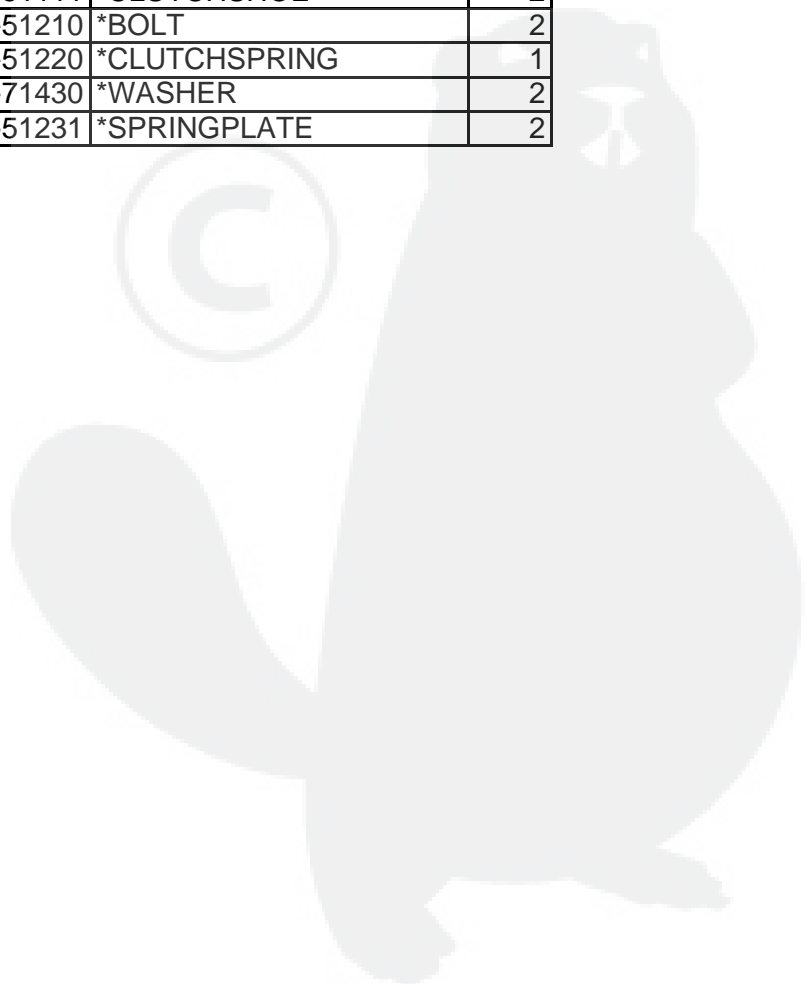
Ref. No	Part No.	Part Name	Q`ty
1- 1	20016-12112	CYLINDER	1
2	20016-12120	GASKET	1
3	01020-05250	BOLT	2
4	20016-12212	INSULATOR	1
5	20016-12220	GASKET	1
6	01500-05041	NUT	2
7	11022-05300	BOLTSW	2
16	70135-15100	MUFFLERSUBASSY	1
9	70135-15110	*MUFFLER	1
10	70103-15150	*SPARKARRESTER	1
11	01270-03062	*SCREWTAPPING	1
12	20016-15122	GASKET	1
13	01020-05500	BOLT	2
14	01610-05080	WASHER	2
15	01020-05120	BOLT	1

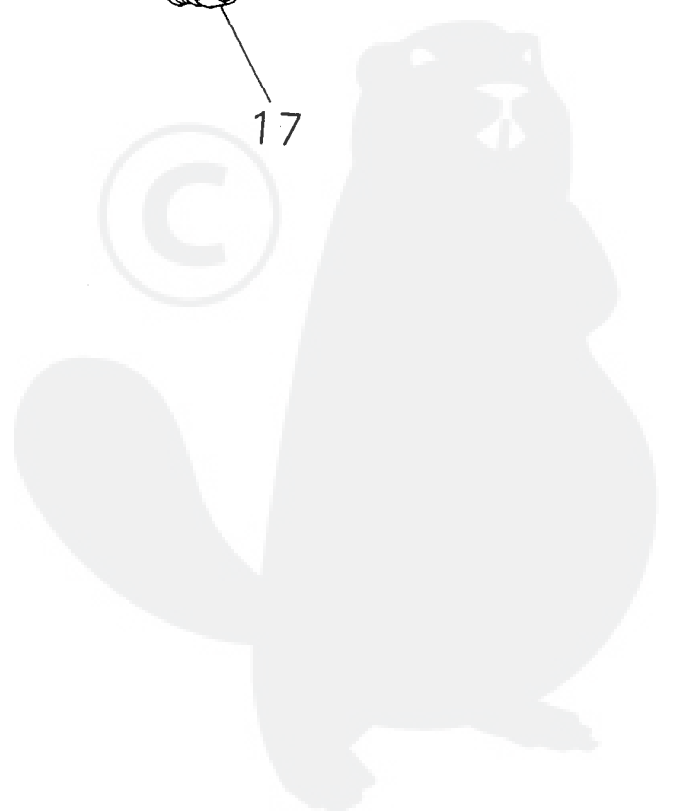
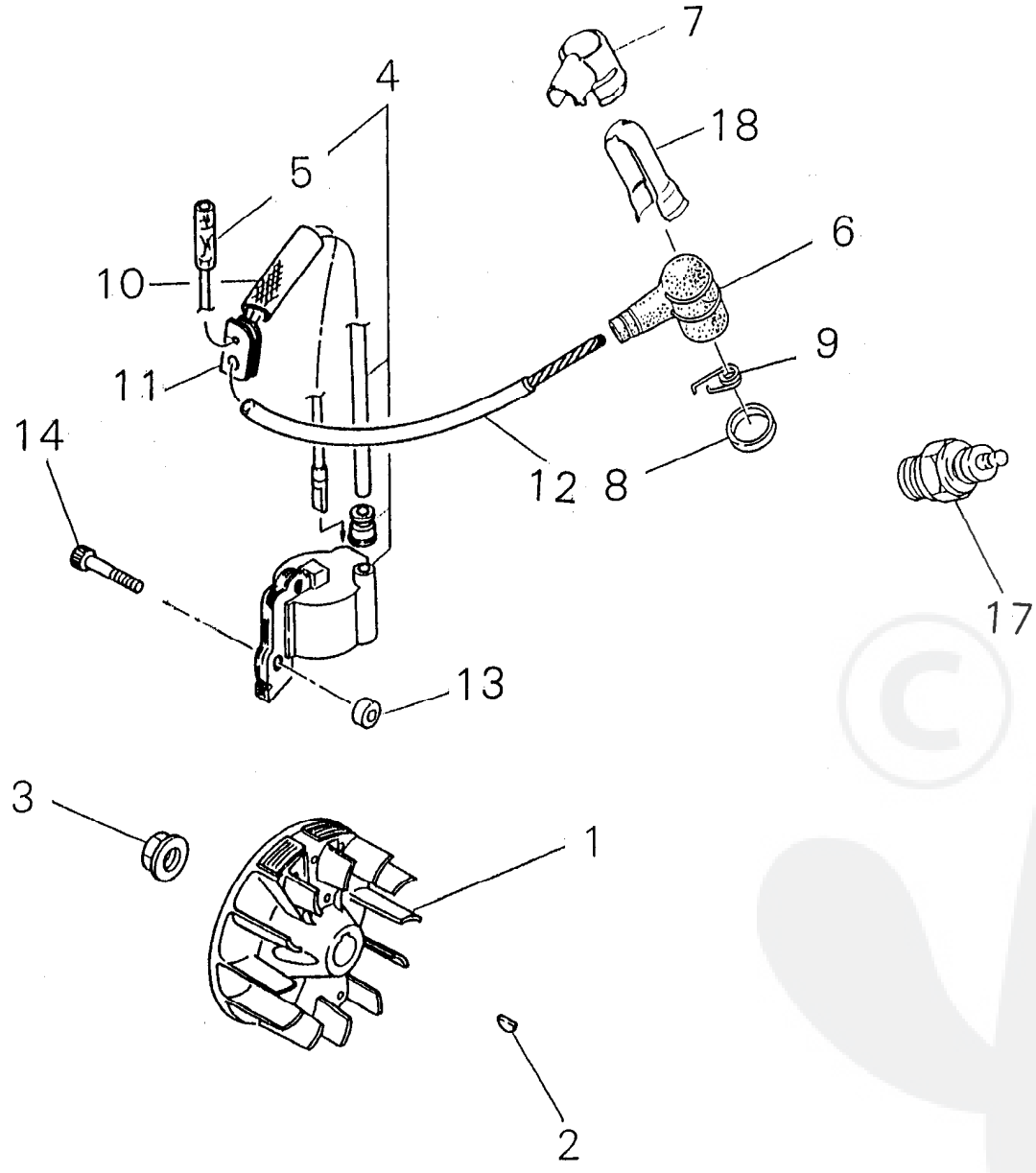


2- 1	20016-21100	CRANKCASESCOMP	1
2	20016-21111	*CRANKCASES	1
3	12900-60010	*BEARING	1
4	22150-21250	*OILSEAL	1
5	20016-21200	CRANKCASEMCOMP	1
6	20016-21120	*CRANKCASEM	1
7	12492-40080	*ROLLER	2
8	12900-60010	*BEARING	1
9	20000-21211	*OILSEAL	1
10	01020-05250	BOLT	3
12	70140-31113	FANCOVER	1
13	20087-31210	CLUTCHDRUM	1
14	22000-13320	SNAPRING	1
15	02002-06000	BEARING	2
16	02432-26120	SNAPRING	1
17	70140-31130	CUSHION	1
18	20018-31410	JOINT	1
19	20018-31420	FRONTCUSHION	1
20	20018-31430	REARCUSHION	1
21	11023-05250	BOLTSPW	1
22	20018-31460	SHIM	1
23	70135-31470	CAP	1
24	11022-05160	BOLTSPW	4
25	11022-05350	BOLTSPW	2
26	11022-05160	BOLTSPW	2
27	70140-32111	CYLINDERCOVER	1
28	62880-91010	LABELTRADE	1
29	20018-31251	KNOB	1
30	20018-31260	INSULATOR	1
31	20018-31270	CLIP	1

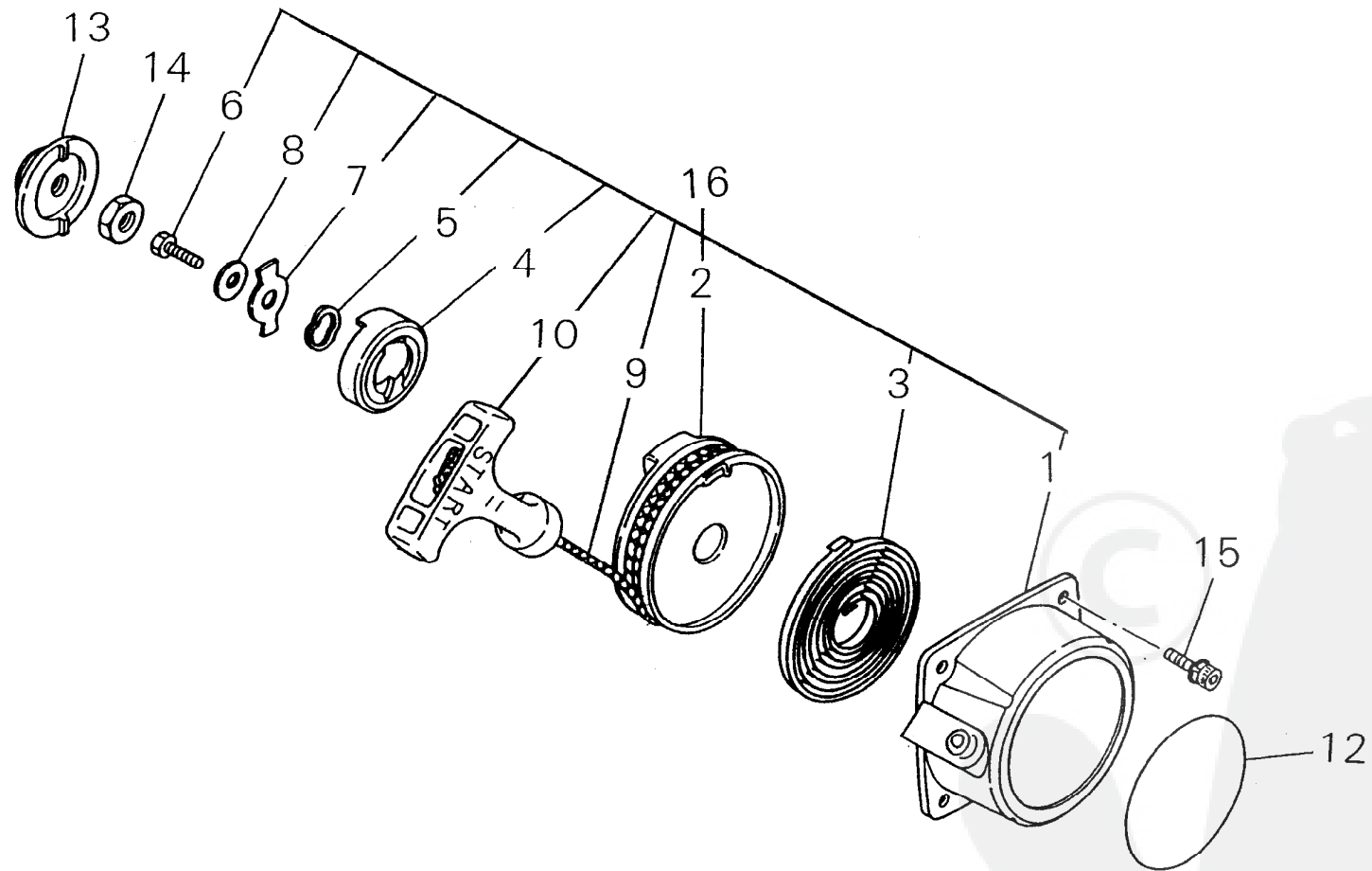


3- 1	20075-41110	PISTON	1
2	20000-41210	PISTONRING	2
3	20016-41310	PISTONPIN	1
4	70030-41320	SNAPRING	2
5	20016-41330	NEEDLEBEARING	1
6	20016-41340	THRUSTWASHER	2
7	20016-42002	CRANKSHAFTASSY	1
13	70140-51102	CLUTCHSHOEASSY	1
8	70140-51111	*CLUTCHSHOE	2
9	20087-51210	*BOLT	2
10	70140-51220	*CLUTCHSPRING	1
11	22100-71430	*WASHER	2
12	20087-51231	*SPRINGPLATE	2

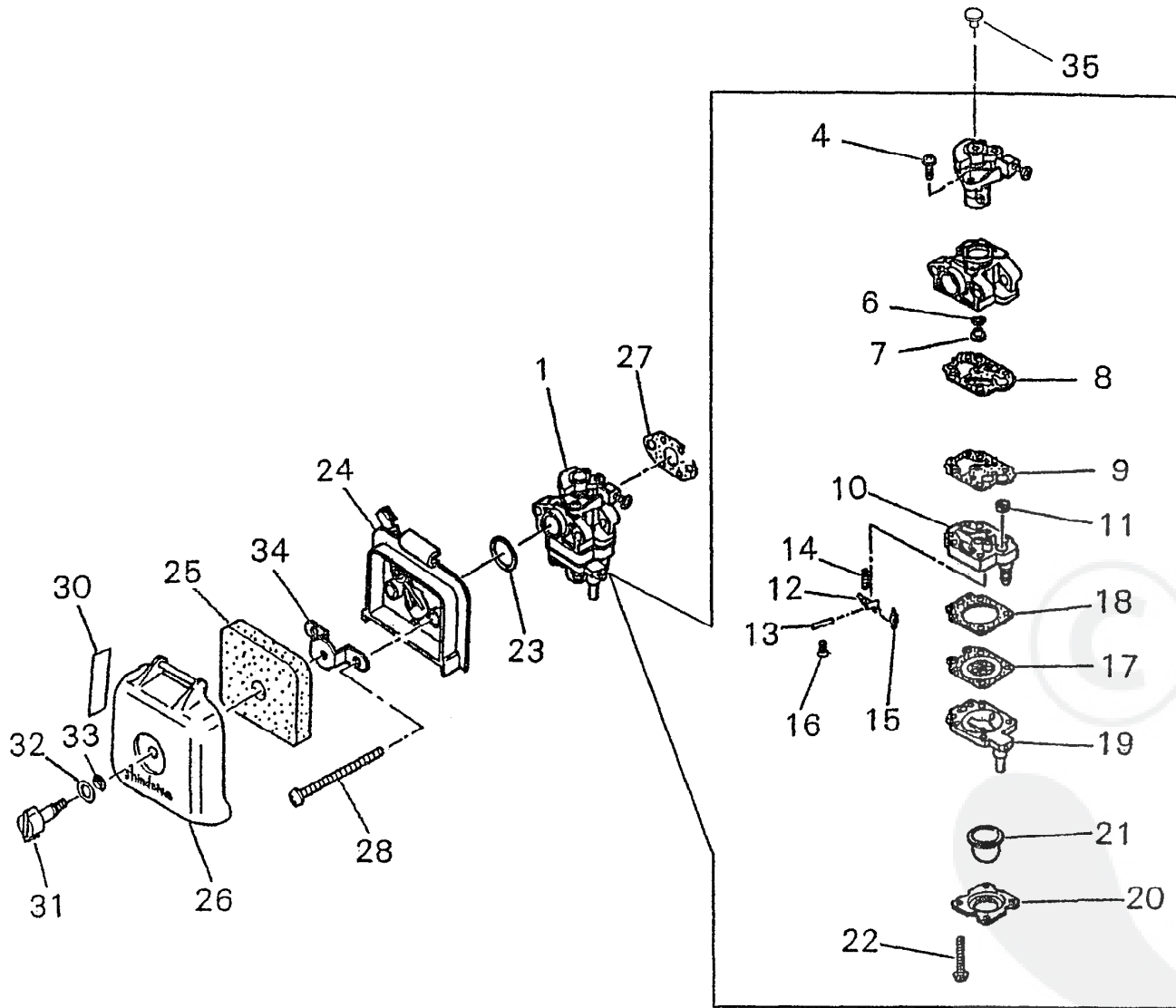




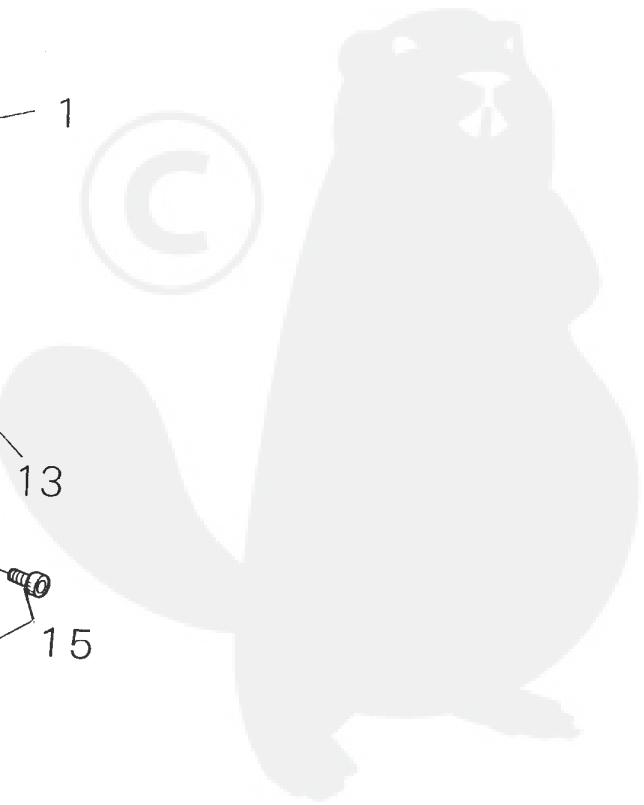
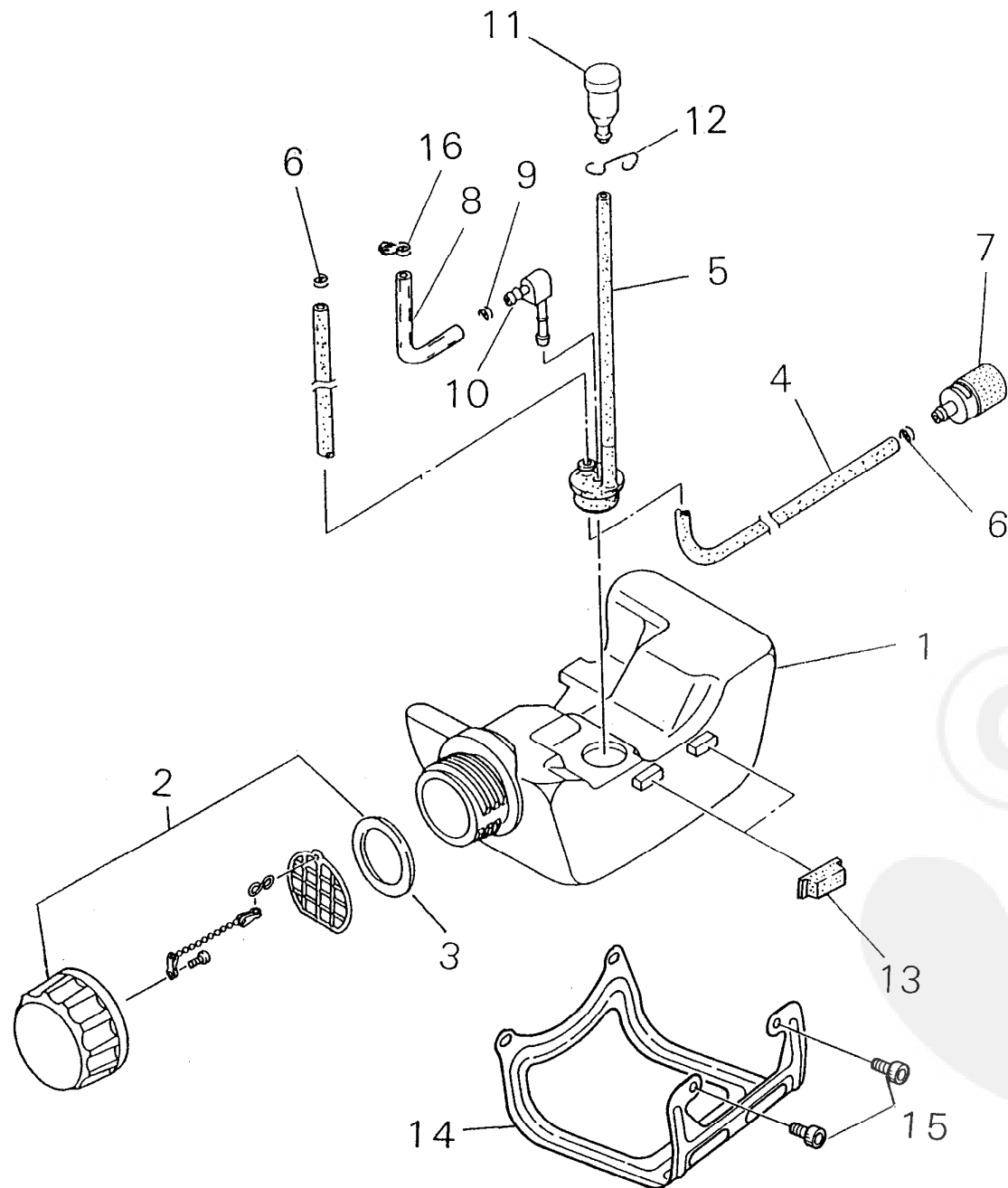
4- 1	20016-71200	ROTOR	1
2	02403-03100	KEY	1
3	20035-71220	NUT	1
4	20016-71601	COILASSY	1
5	20016-71641	*CORD	1
6	20010-72221	PLUGCAP	1
7	20000-72241	PLUGCAPCOVER	1
8	20000-72250	COVERBAND	1
9	20000-72230	SPRINGSPARKPLUG	1
10	20016-71651	TUBE	1
11	20010-72110	GROMMET	1
12	20016-71660	TUBE	1
13	70030-71620	INSULATOR	2
14	11024-04261	BOLTSLPW	2
15	01600-04101	SPRINGWASHER	2
17	13000-13406	SPARKPLUGBMR6A	1
18	70180-72260	SHIELD	1



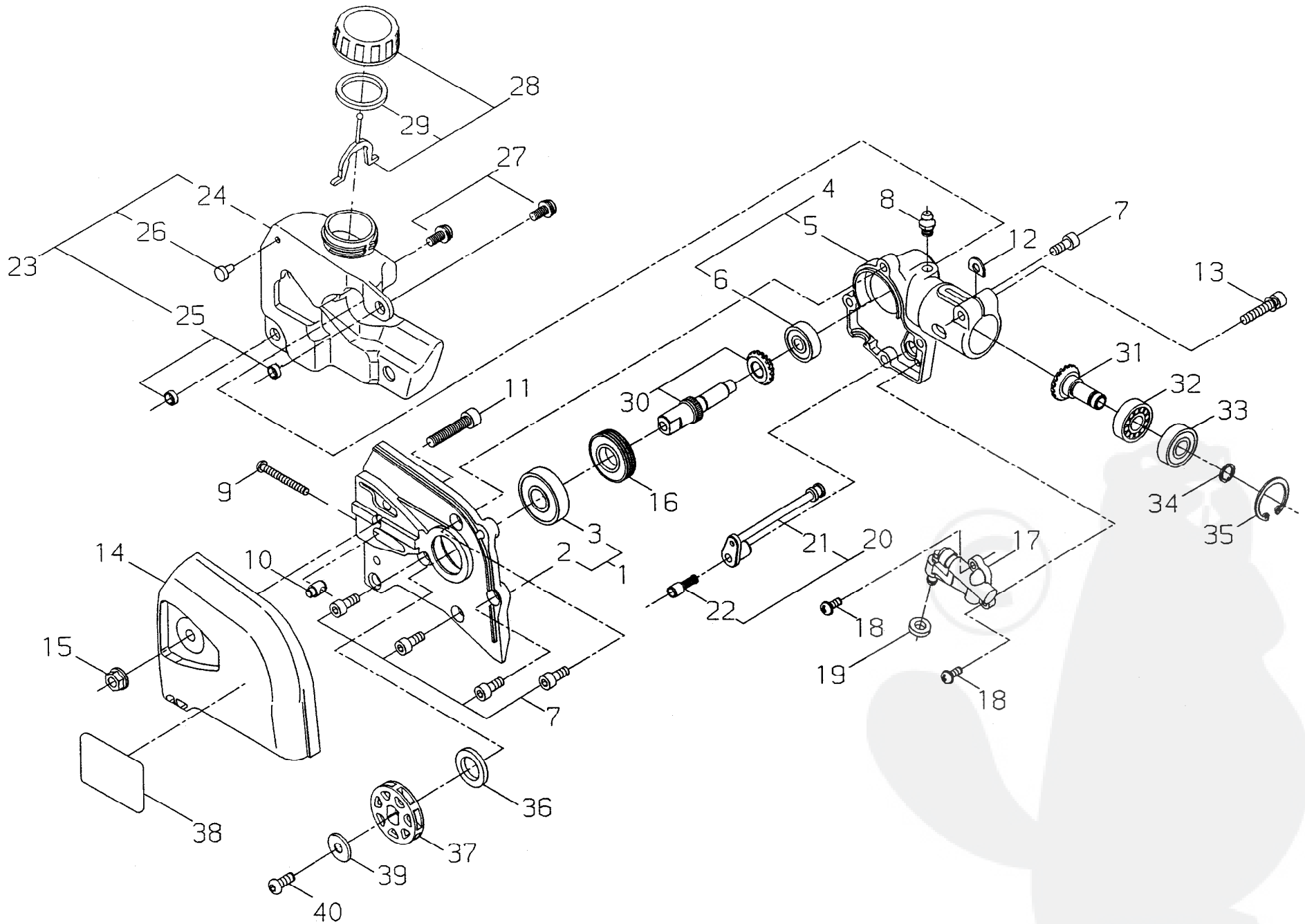
5-16	72933-75101	RECOILSTARTERSUBASS	1
1	70064-75110	*STARTERCASE	1
1	20064-75110	*STARTERCASE	1
2	72933-75120	*REEL	1
2	20064-75120	*REEL	1
3	70064-75130	*RECOILSPRING	1
3	20140-75130	*SPRING	1
4	72933-75140	*DOG	1
4	20140-75140	*DOG	1
5	70064-75150	*WAVEWASHER	1
5	20140-75150	*BRAKESPRING	1
6	72933-75160	*SCREW	1
6	20140-75160	*SCREW	1
7	72933-75170	*RETAINER	1
7	20140-75170	*RETAINER	1
5	72933-75180	*WASHER	1
8	20140-75180	*WASHER	1
9	70064-75190	*ROPE	1
9	32004-75140	*ROPE	1
10	32004-75150	*KNOB	1
10	72933-75210	*HANDLE	1
12	70117-75311	*NAMEPLATE	1
13	70064-75310	STARTERPULLEY	1
14	01511-08051	NUT	1
15	11060-04122	BOLTADHESIVE	4



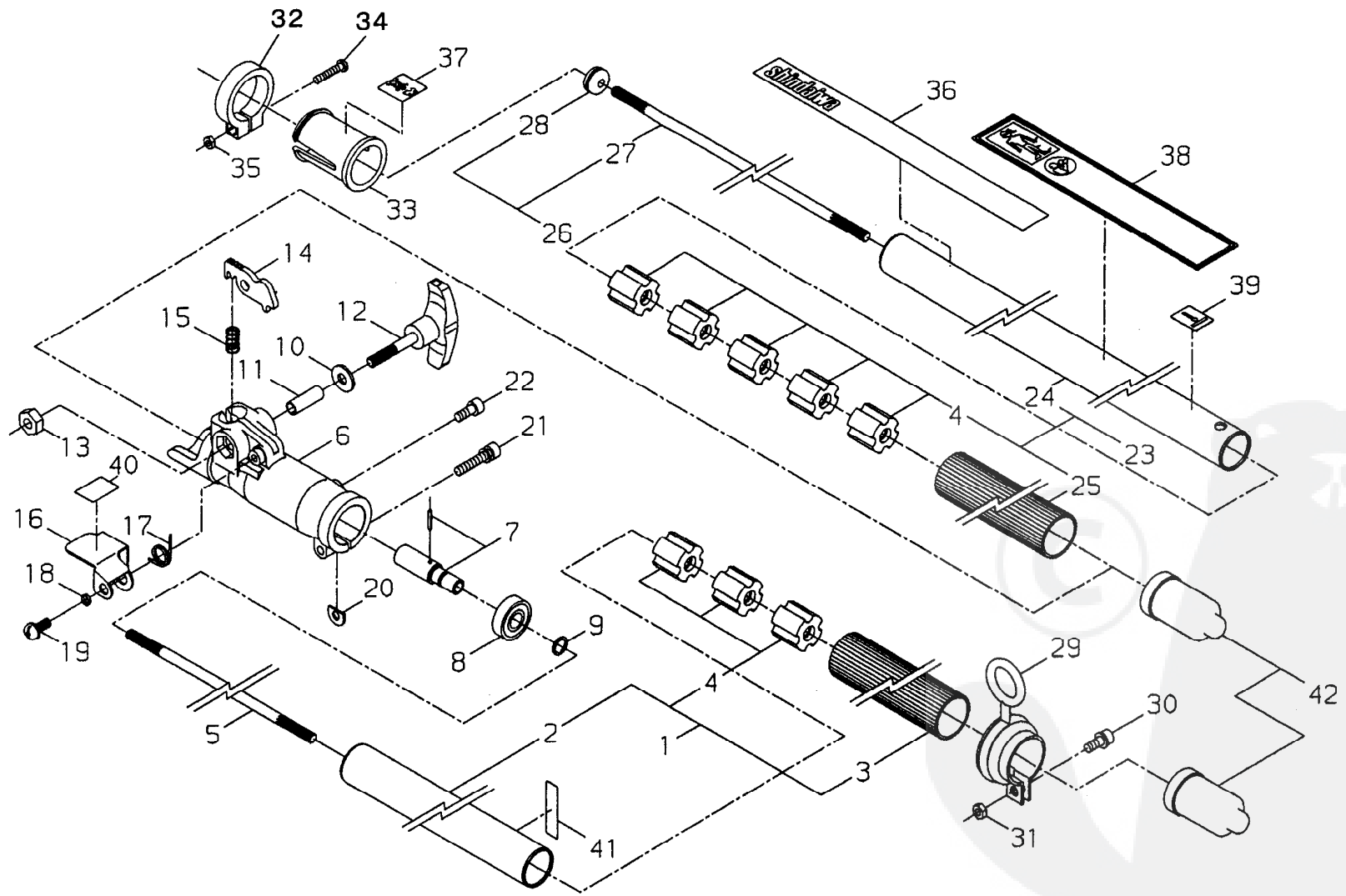
6- 1	70173-81021	CARBURETORBODYASSY	1
4	70064-81290	*SCREW	2
6	70097-81220	*ORING	1
7	70064-81230	*MAINJET	1
8	70097-81310	*GASKETPUMP	1
9	70097-81320	*DIAPHRAGM	1
10	20016-81410	*PUMPBODYCOMP	1
11	70030-81380	**SCREEN	1
12	22100-81230	**LEVER	1
13	22100-81250	**PIN	1
14	20016-81270	**SPRING	1
15	20036-81440	**NEEDLEVALVE	1
16	20016-81450	**SCREW	1
17	22100-81260	*DIAPHRAGMASSY	1
18	20016-81280	*GASKET	1
19	20016-81420	*PUMPBASECOMP	1
20	20016-81510	*PUMPCOVER	1
21	70029-81480	*PRIMINGPUMP	1
22	20016-81140	*SCREW	4
23	20016-81250	ORING	1
24	70140-81710	CLEANERBODYCOMP	1
25	20018-81750	FILTER	1
26	70140-81760	CLEANERCOVER	1
27	20016-81530	GASKET	1
28	70140-81810	SCREWPM5X67	2
30	19404-00008	LABELCHOKE	1
31	20115-81780	KNOBCLEANERCOVER	1
32	22100-82430	ORING	1
33	20024-81790	CONEWASHER	1
34	20018-81721	BACKPLATE	1
35	22154-81270	PLUG	1
	20016-81910	GASKETKIT	1
8	70097-81310	*GASKETPUMP	1
18	20016-81280	*GASKET	1
	70097-81920	DIAPHRAGMKIT	1
9	70097-81320	*DIAPHRAGM	1
17	22100-81260	*DIAPHRAGMASSY	1



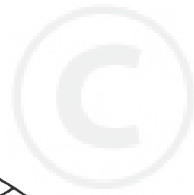
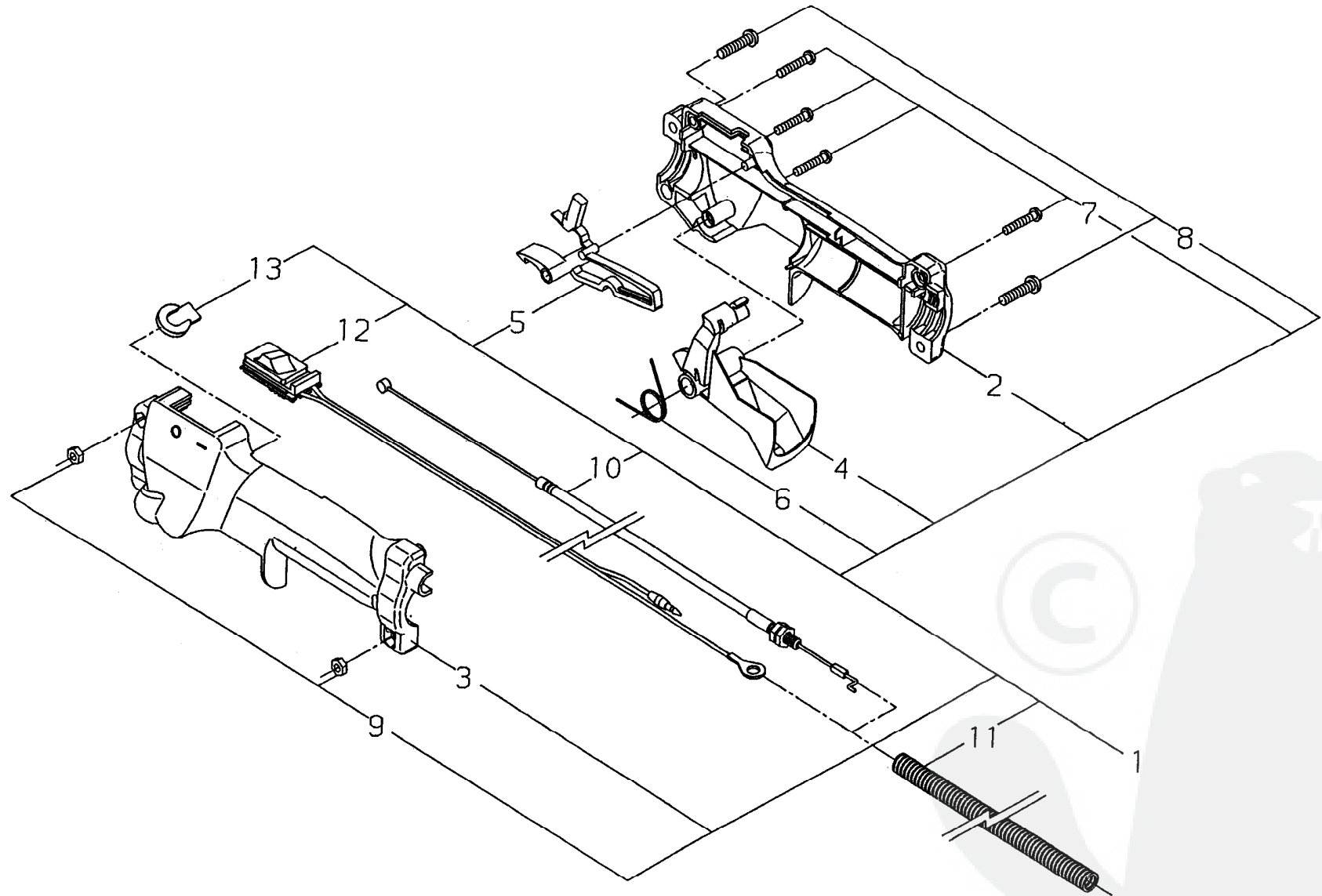
7- 1	20016-85112	FUELTANK	1
2	70168-85201	FUELCAPASSY	1
3	20000-85221	*GASKET	1
4	70064-85311	FUELPIPE	1
5	20089-85350	GROMMET	1
6	20020-85540	CLIP	1
7	20016-85400	FUELFILTER	1
8	20089-83311	PIPE	2
9	20020-85440	CLIP	1
10	20087-85340	JOINT	1
11	20035-85522	VALVE	1
12	20016-12310	VALVEHOLDER	1
13	20024-86120	TANKCUSHION	4
14	70135-86130	TANKGUARD	1
15	11022-05120	BOLTSPW	2
16	37013-85310	CLIP	1



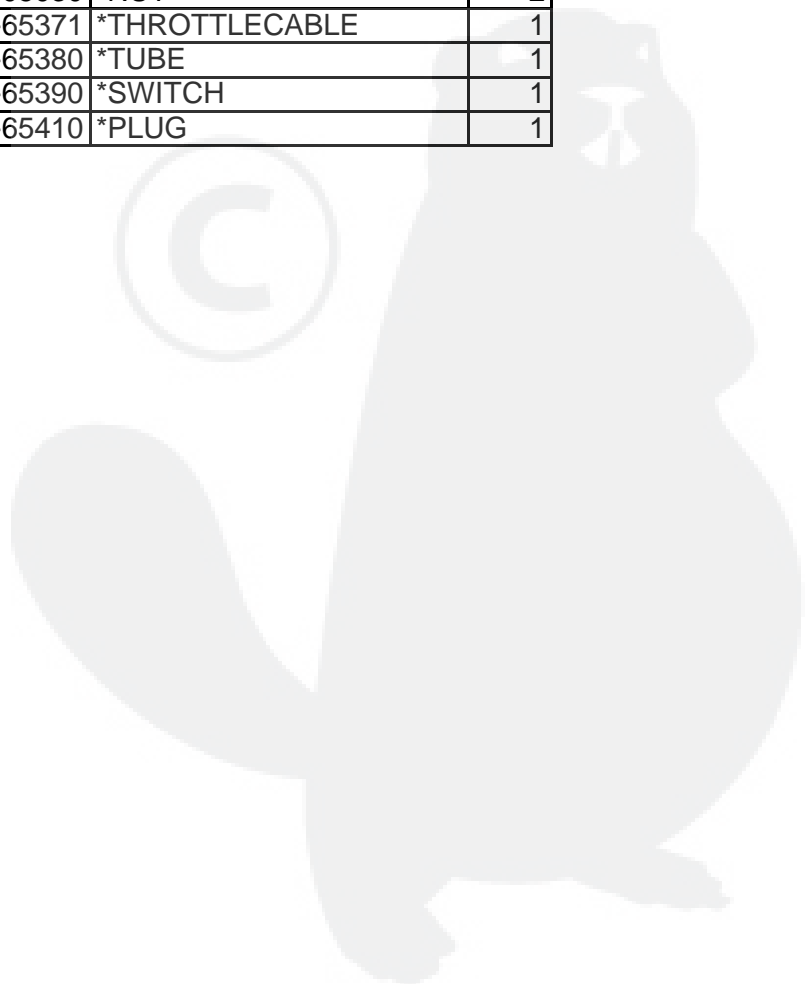
8- 1	63880-61312	GEARCASELEFTCOMP	1
2	63880-61322	*GEARCASELEFT	1
3	02006-06001	*BEARING	1
4	63880-61332	GEARCASERIGHTCOMP	1
5	63880-61342	*GEARCASERIGHT	1
6	02002-00627	*BEARING	1
7	01020-05120	BOLT	5
8	20870-61640	GREASENIPPLE	1
9	11260-04351	SCREWADHESIVE	1
10	17110-04000	SLIDEPIECE	1
11	01020-06300	BOLT	1
12	22000-13420	SHIM	1
13	11023-05250	BOLTSW	1
14	63880-61350	BARHOLDER	1
15	11526-06100	NUTFLANGE	1
16	63880-62310	WORMGEAR	1
17	22156-55200	OILPUMPASSY	1
18	11205-04100	SCREWMPW	2
19	63880-62320	GASKETPUMP	1
20	63880-62330	OILPIPEASSY	1
21	63880-62340	*OILPIPE	1
22	63880-62350	*FILTER	1
23	63880-62361	OILTANKASSY	1
23	63880-62361	OILTANKASSY	1
24	63880-62381	*OILTANK	1
25	17901-06030	*COLLAR	2
26	22115-57120	*VALVEOILTANK	1
27	11207-05120	SCREWMSLPW	2
28	63880-62391	OILCAPASSY	1
29	70030-85221	*GASKETCAP	1
30	63880-63011	GEARSHAFT	1
30	63880-63010	GEARSHAFT	1
31	63880-63020	BEVELPINION	1
32	02000-00609	BEARING	1
33	02002-00609	BEARING	1
34	22420-13350	SNAPRING	1
35	02432-24120	SNAPRING	1
36	15401-21020	COLLAR	1
36	15401-11009	COLLAR	1
37	12032-07102	SPROCKET	1
38	19402-00172	LABELCAUTION	1
39	20870-62131	WASHER	1
40	11210-06140	SCREWBUTTON	1

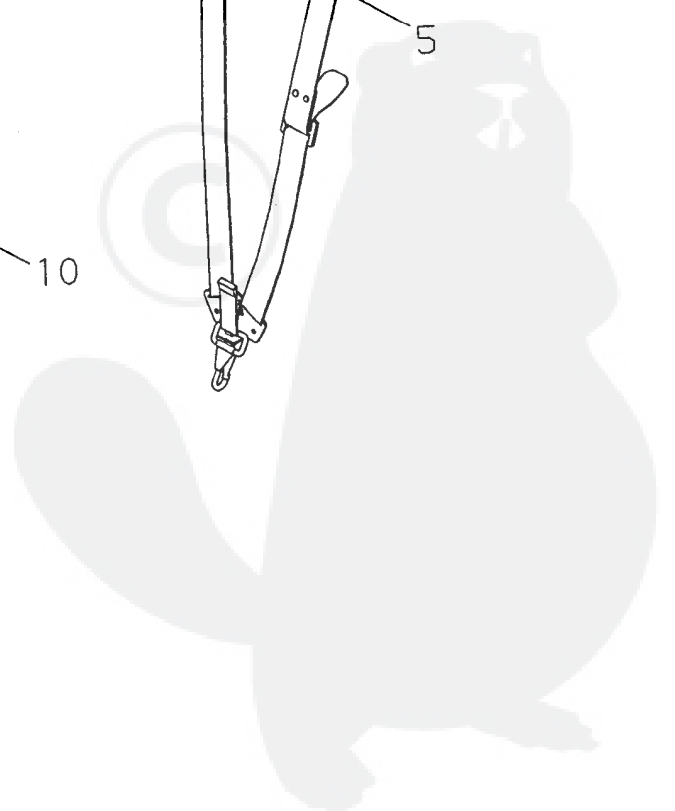
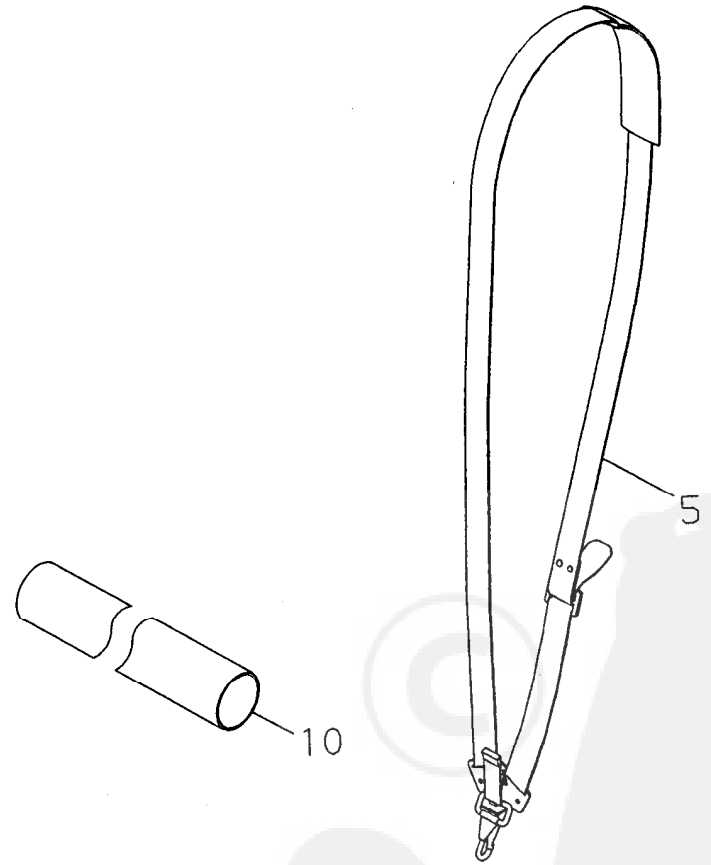
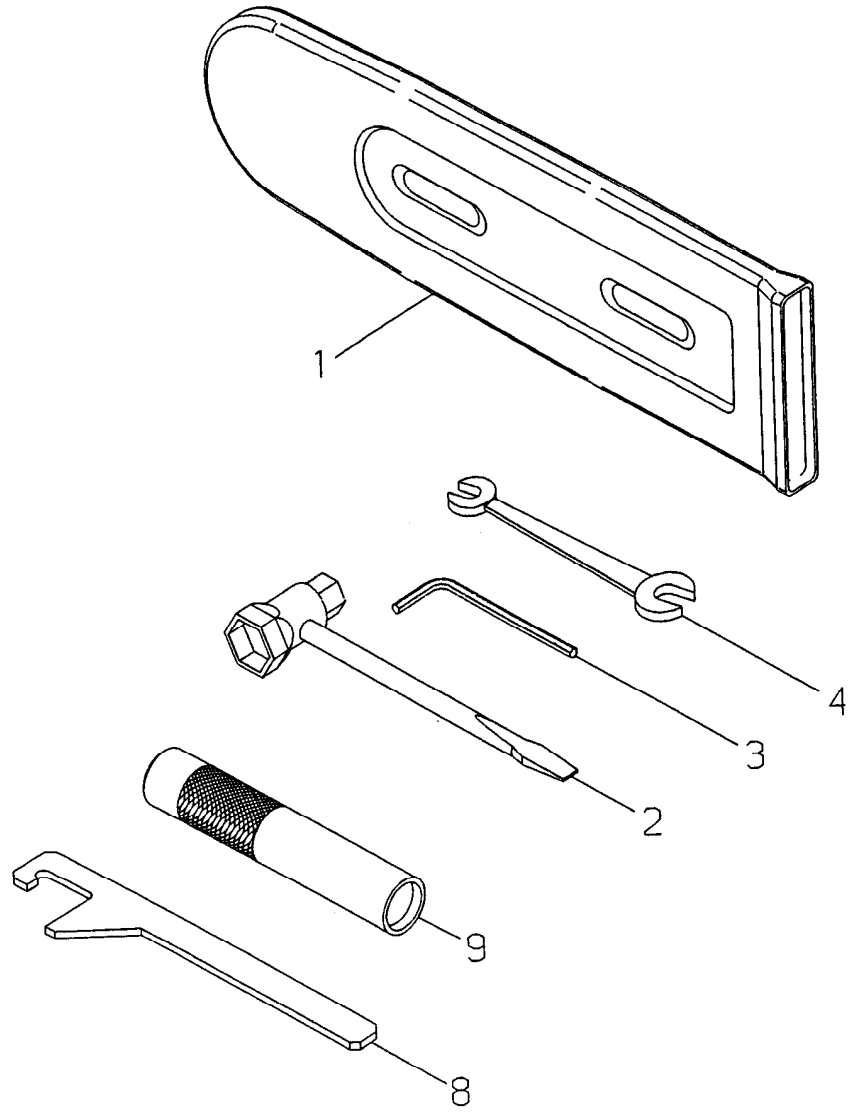


9- 1	63880-64311	OUTERPIPECOMP	1
2	63880-64320	*OUTERPIPECOMP	1
3	63880-64330	*GRIP	1
4	22035-12120	*BUSH	8
5	63880-64340	MAINSHAFT	1
6	37000-62220	JOINTCASE	1
7	63880-64360	JOINTSHAFT	1
8	02002-00609	BEARING	1
9	22420-13350	SNAPRING	1
10	72030-14130	WASHER	1
11	17901-06220	COLLAR	1
12	63880-64380	KNOB	1
13	63880-64410	NUT	1
14	37000-62310	LOCKLEVER	1
15	17500-06001	COILSPRING	1
16	37000-62340	COVER	1
17	17520-12400	COILSPRING	1
18	15401-00004	COLLAR	1
19	11207-05120	SCREWPM SLPW	1
20	22000-13420	SHIM	1
21	11023-05250	BOLTSW	1
22	01020-05120	BOLT	1
23	63880-64431	OUTERPIPECOMP	1
24	63880-64441	*OUTERPIPE	1
25	63880-64450	*GRIP	1
26	63880-64460	MAINSHAFTASSY	1
27	63880-64470	*MAINSHAFT	1
28	15250-10100	*GROMMET	1
29	22017-12210	HANGER	1
30	11020-05120	BOLTSW	1
31	01500-05041	NUT	1
32	33008-62311	CLAMP	1
33	33008-62321	COLLOR	1
34	11203-04160	SCREWPM	1
35	01500-04031	NUT	1
36	19420-00049	LABELTRADE	1
37	19402-00175	LABELCAUTION	1
38	19402-00225	LABELCAUTION	1
39	19401-00169	LABELINST	1
40	19401-00168	LABELINST	1
41	72005-12140	CAUTIONPLATE	1
42	20891-98180	LINERCAP	2



10- 1	63880-65011	THROTTLELEVERASSY	1
2	63880-65311	*BODYRIGHT	1
3	63880-65321	*BODYLEFT	1
4	63880-65330	*LEVER	1
5	63880-65340	*LOCKLEVER	1
6	63880-65350	*COILSPRING	1
7	63880-65360	*SCREWTAPPING	4
8	70871-65320	*SCREWPM	2
9	01501-05030	*NUT	2
10	63880-65371	*THROTTLECABLE	1
11	63880-65380	*TUBE	1
12	63880-65390	*SWITCH	1
13	63880-65410	*PLUG	1





11- 1	19600-24300	CHAINCOVER	1
2	22102-91410	PLUGWRENCH	1
3	09026-04001	HEXAWRENCH	1
4	22000-91120	SPANNER	1
5	22421-17202	STRAPASSY	1
8	60880-98030	HOOKSPANNER	1
9	22420-96311	ROD	1
10	60880-98050	COLLAR	1

