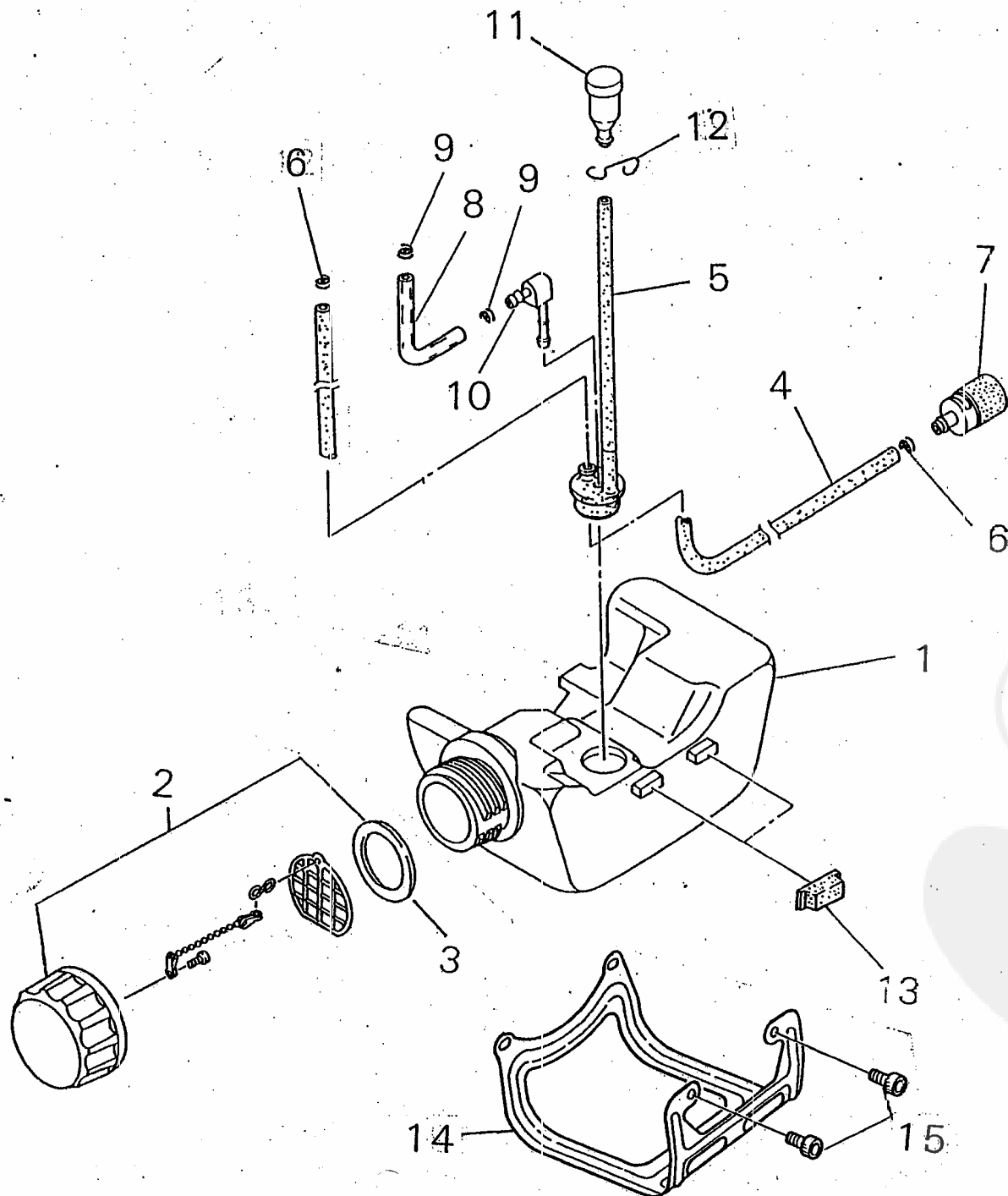


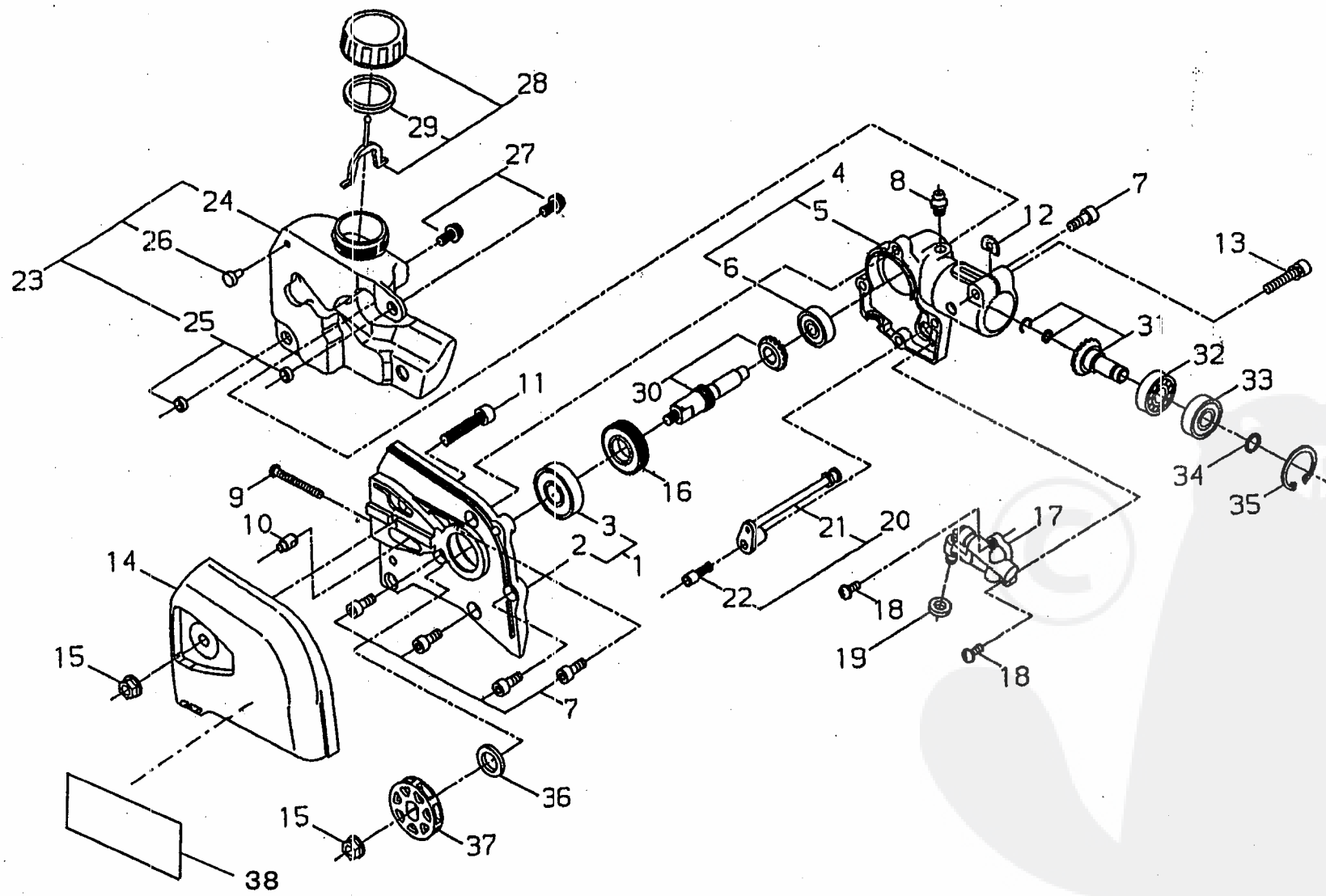
PRICE: (¥)

Ref. No.	Part No.	Part Name	Q'ty
6- 1	70173-81021	CARBURETOR BODY ASSY	1
4	70064-81290	* SCREW	2
6	70097-81220	* O RING	1
8	70097-81310	* GASKET PUMP	1
9	70097-81320	* DIAPHRAGM	1
10	20016-81410	* PUMP BODY COMP	1
11	70030-81380	** SCREEN	1
12	22100-81230	** LEVER	1
13	22100-81250	** PIN	1
14	20016-81270	** SPRING	1
15	20036-81440	** NEEDLE VALVE	1
16	20016-81450	** SCREW	1
17	22100-81260	* DIAPHRAGM ASSY	1
18	20016-81280	* GASKET	1
19	20016-81420	* PUMP BASE COMP	1
20	20016-81510	* PUMP COVER	1
21	70029-81480	* PRIMING PUMP	1
22	20016-81140	* SCREW	4
23	20016-81250	O RING	1
24	70140-81710	CLEANER BODY COMP	1
25	20018-81750	FILTER	1
26	70140-81760	CLEANER COVER	1
27	20016-81530	GASKET	1
28	70140-81810	SCREW PM M5X67	2
30	19404-00008	LABEL CHOKE	1
31	20115-81780	KNOB CLEANER COVER	1
32	22100-82430	O RING	1
33	20024-81790	CONE WASHER	1
34	20018-81721	BACK PLATE	1
	20016-81910	GASKET KIT	1
8	70097-81310	* GASKET PUMP	1
18	20016-81280	* GASKET	1
	70097-81920	DIAPHRAGM KIT	1
9	70097-81320	* DIAPHRAGM	1
17	22100-81260	* DIAPHRAGM ASSY	1

PARTS LIST  
SHINDAIWA  
(LI38 LIA0380P)





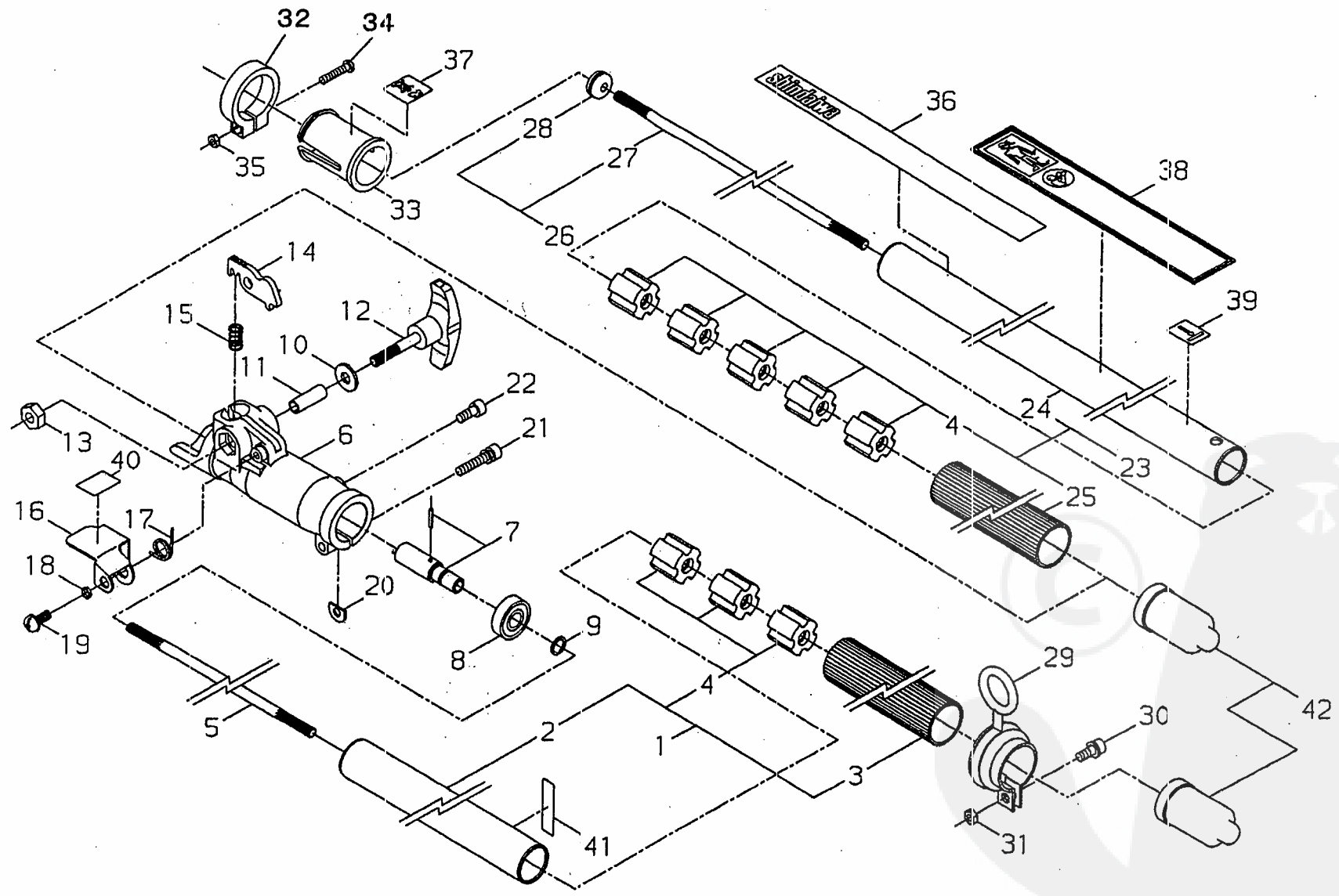


PRICE: (¥)

Ref. No.	Part No.	Part Name	Q'ty
8- 1	63880-61310	GEAR CASE LEFT COMP	1
2	63880-61320	• GEAR CASE LEFT	1
3	02006-06001	• BEARING	1
4	63880-61330	GEAR CASE RIGHT COMP	1
5	63880-61340	• GEAR CASE RIGHT	1
6	02002-00627	• BEARING	1
7	01020-05120	BOLT	5
8	20870-61640	GREASE NIPPLE	1
9	11260-04351	SCREW ADHESIVE	1
10	17110-04000	SLIDE PIECE	1
11	01020-06300	BOLT	1
12	22000-13420	SHIM	1
13	11023-05250	BOLT SW	1
14	63880-61350	BAR HOLDER	1
15	11526-06100	NUT FLANGE	2
16	63880-62310	WORM GEAR	1
17	22156-55200	OIL PUMP ASSY	1
18	11205-04100	SCREW PM PW	2
19	63880-62320	GASKET PUMP	1
20	63880-62330	OIL PIPE ASSY	1
21	63880-62340	• OIL PIPE	1
22	63880-62350	• FILTER	1
23	63880-62360	OIL TANK ASSY	1
24	63880-62380	• OIL TANK	1
25	17901-06030	• COLLAR	2
26	22115-57120	• VALVE OIL TANK	1
27	11207-05120	SCREW PM SLPW	2
28	63880-62390	OIL CAP ASSY	1
29	70030-85221	• GASKET CAP	1
30	63880-63010	GEAR SHAFT	1
31	63880-63020	BEVEL PINION	1
32	02000-00609	BEARING	1
33	02002-00609	BEARING	1
34	22420-13350	SNAP RING	1
35	02432-24120	SNAP RING	1
36	15401-11009	COLLAR	1
37	12032-07102	SPROCKET	1
38	19402-00172	LABEL CAUTION	1

PARTS LIST  
SHINDAIWA  
(LI38 LIA0380P)





PRICE: (¥)

Ref. No.	Part No.	Part Name
9-	1 63880-64310	OUTER PIPE COMP
	2 63880-64320	• OUTER PIPE COMP
	3 63880-64330	• GRIP
	4 22035-12120	• BUSH
	5 63880-64340	MAIN SHAFT
	6 37000-62220	JOINT CASE
	7 63880-64360	JOINT SHAFT
	8 02002-00609	BEARING
	9 22420-13350	SNAP RING
	10 72030-14130	WASHER
	11 17901-06220	COLLAR
	12 63880-64380	KNOB
	13 63880-64410	NUT
	14 37000-62310	LOCK LEVER
	15 17500-06001	COIL SPRING
	16 37000-62340	COVER
	17 17520-12400	COIL SPRING
	18 15401-00004	COLLAR
	19 63880-64420	SCREW PM LPW
	20 22000-13420	SHIM
	21 11023-05250	BOLT SW
	22 01020-05120	BOLT
	23 63880-64431	OUTER PIPE COMP
	24 63880-64441	• OUTER PIPE
	25 63880-64450	• GRIP
	26 63880-64460	MAIN SHAFT ASSY
	27 63880-64470	• MAIN SHAFT
	28 15250-10100	• GROMMET
	29 22017-12210	HANGER
	30 11020-05120	BOLT SW
	31 01500-05041	NUT
	32 33008-62311	CLAMP
	33 33008-62321	COLLOR
	34 11203-04160	SCREW PM
	35 01500-04031	NUT
	36 19420-00049	LABEL TRADE
	37 19402-00175	LABEL CAUTION
	38 19402-00176	LABEL CAUTION

PARTS LIST  
SHINDAIWA  
(L138 LIA0380P)



