

shindaiwa

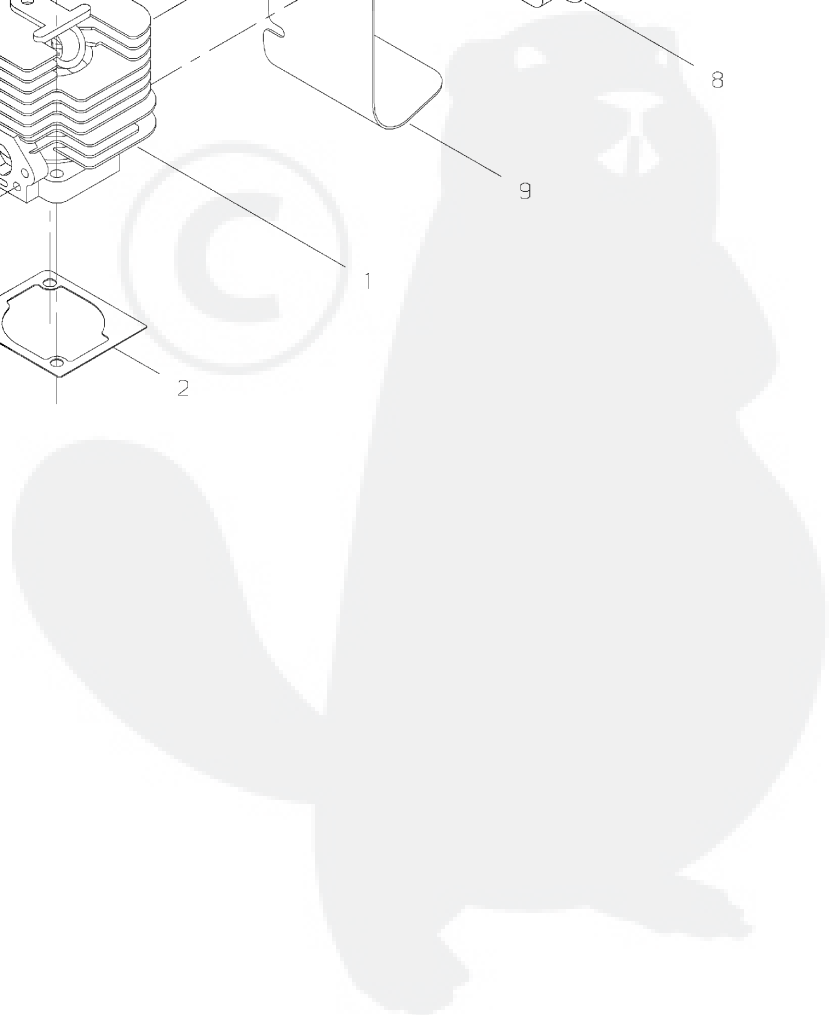
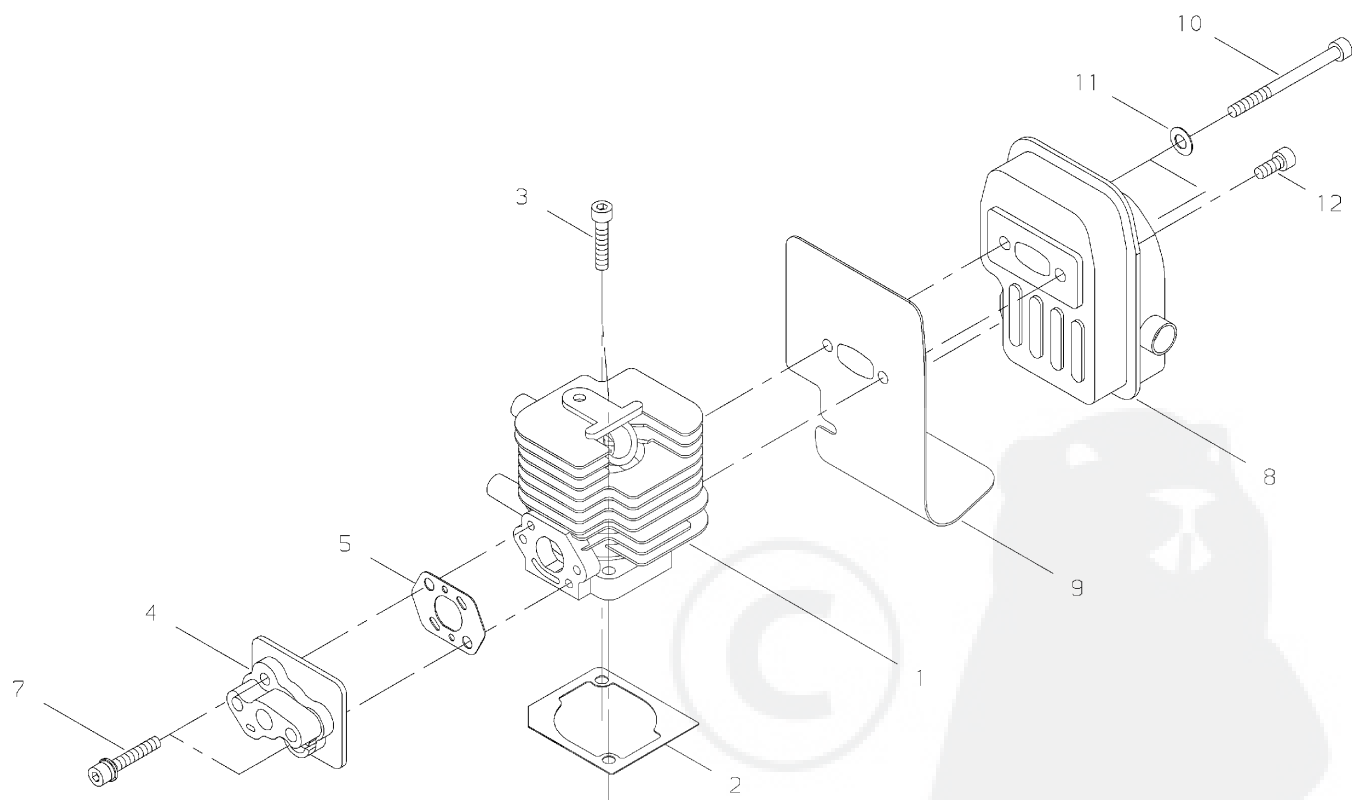
Illustrated Parts List

P230s/EC1

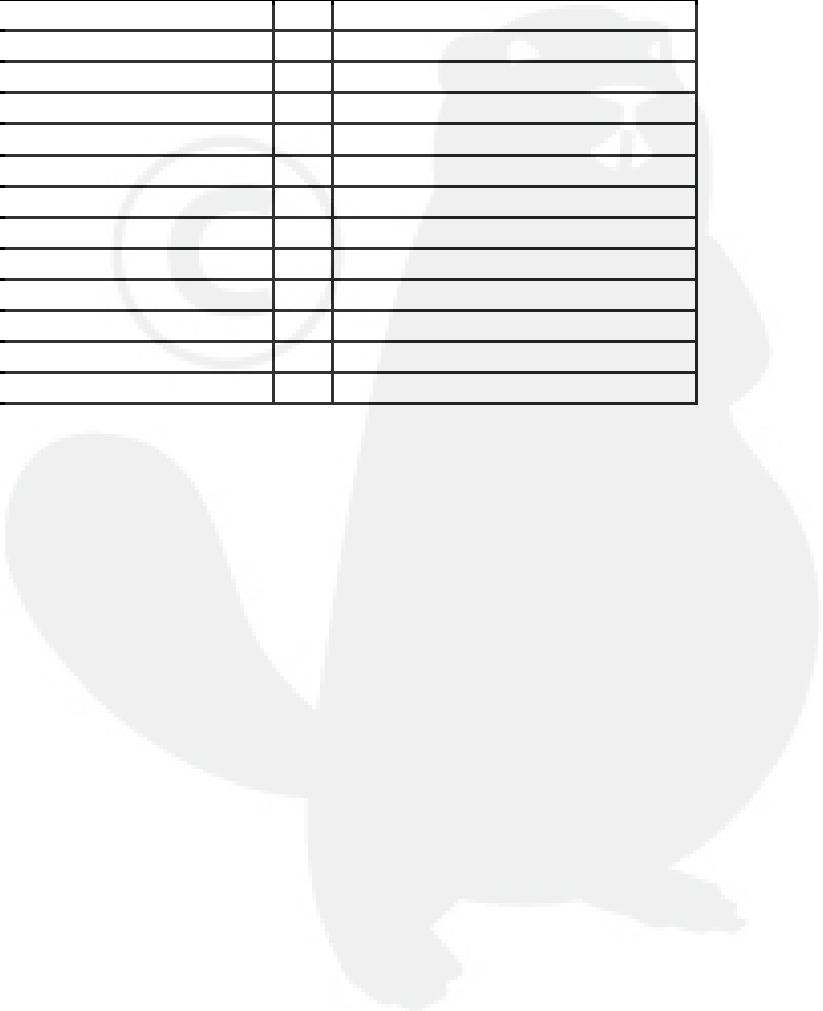


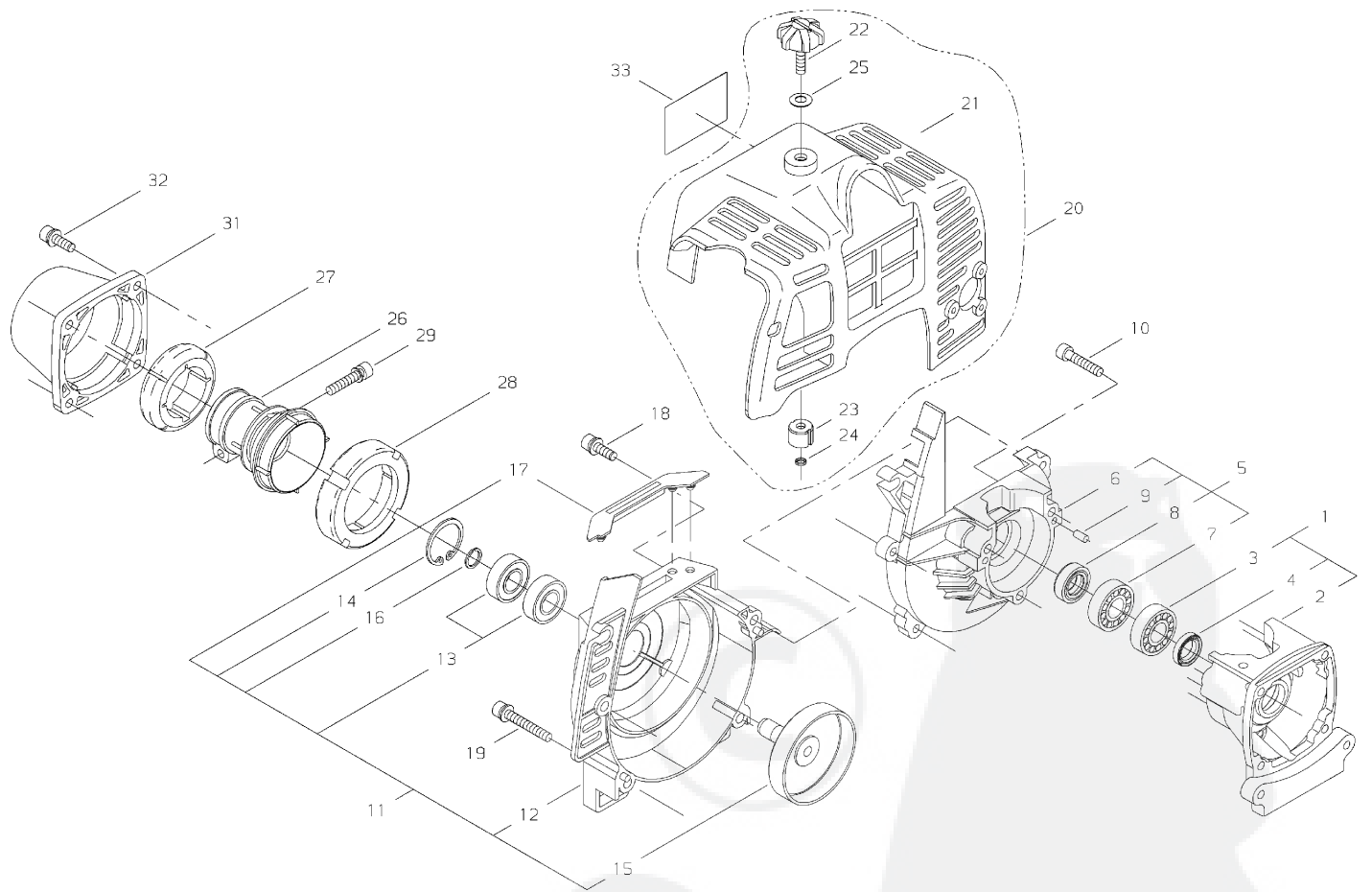
Shindaiwa, Inc.
11975 S.W. Herman Road
Tualatin, Oregon 97062
Telephone 503 692-3070
Fax 503 692-6696

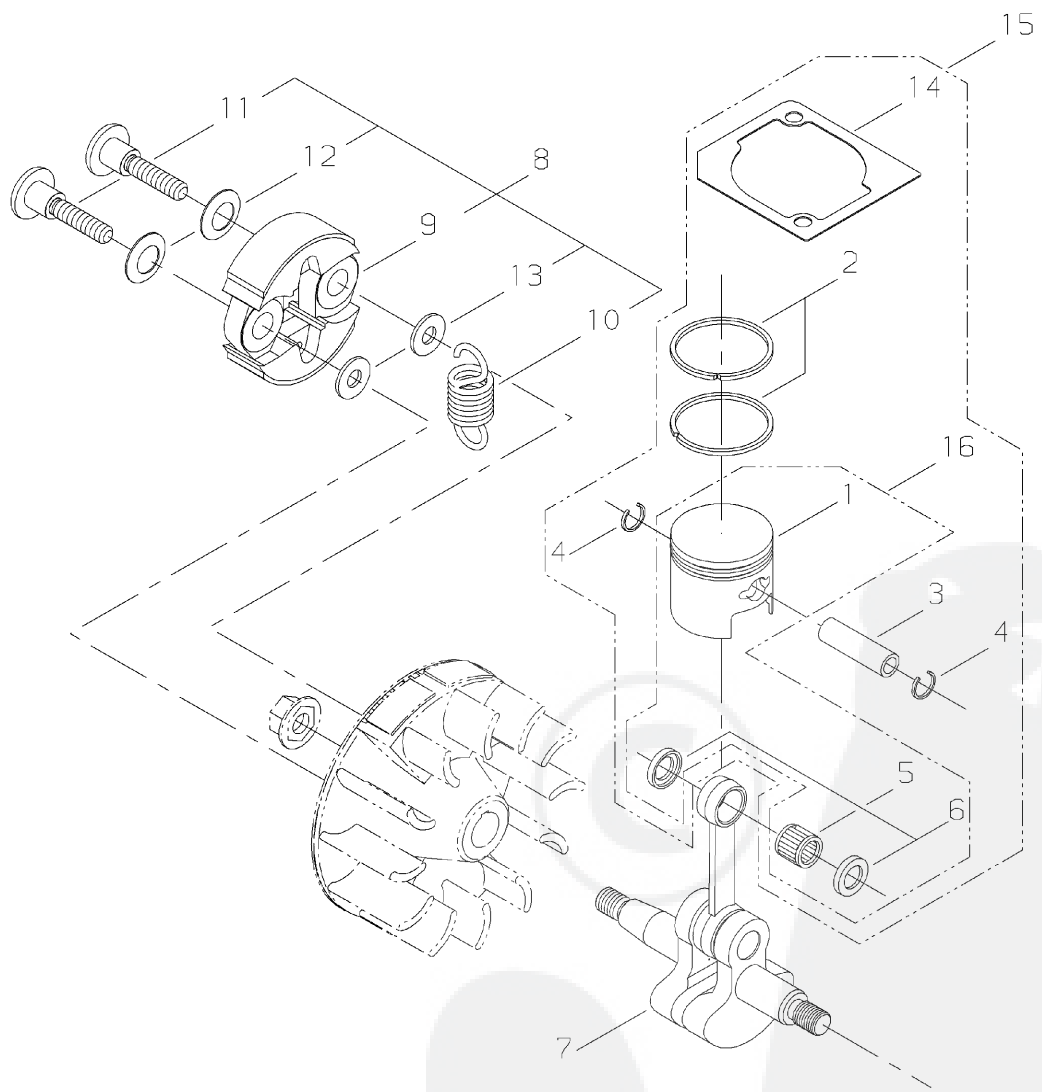
P230s/EC1
REV September 30, 2005

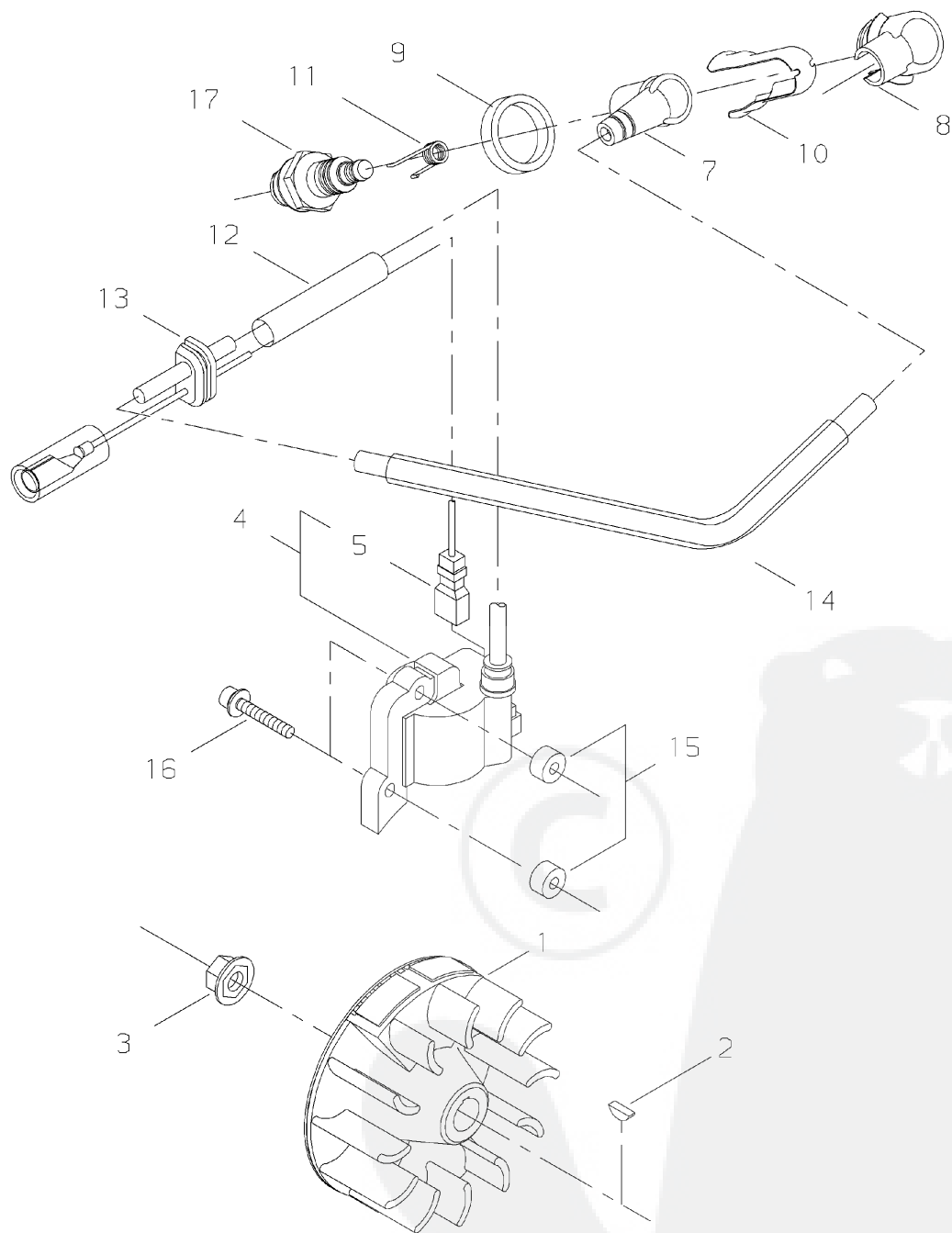


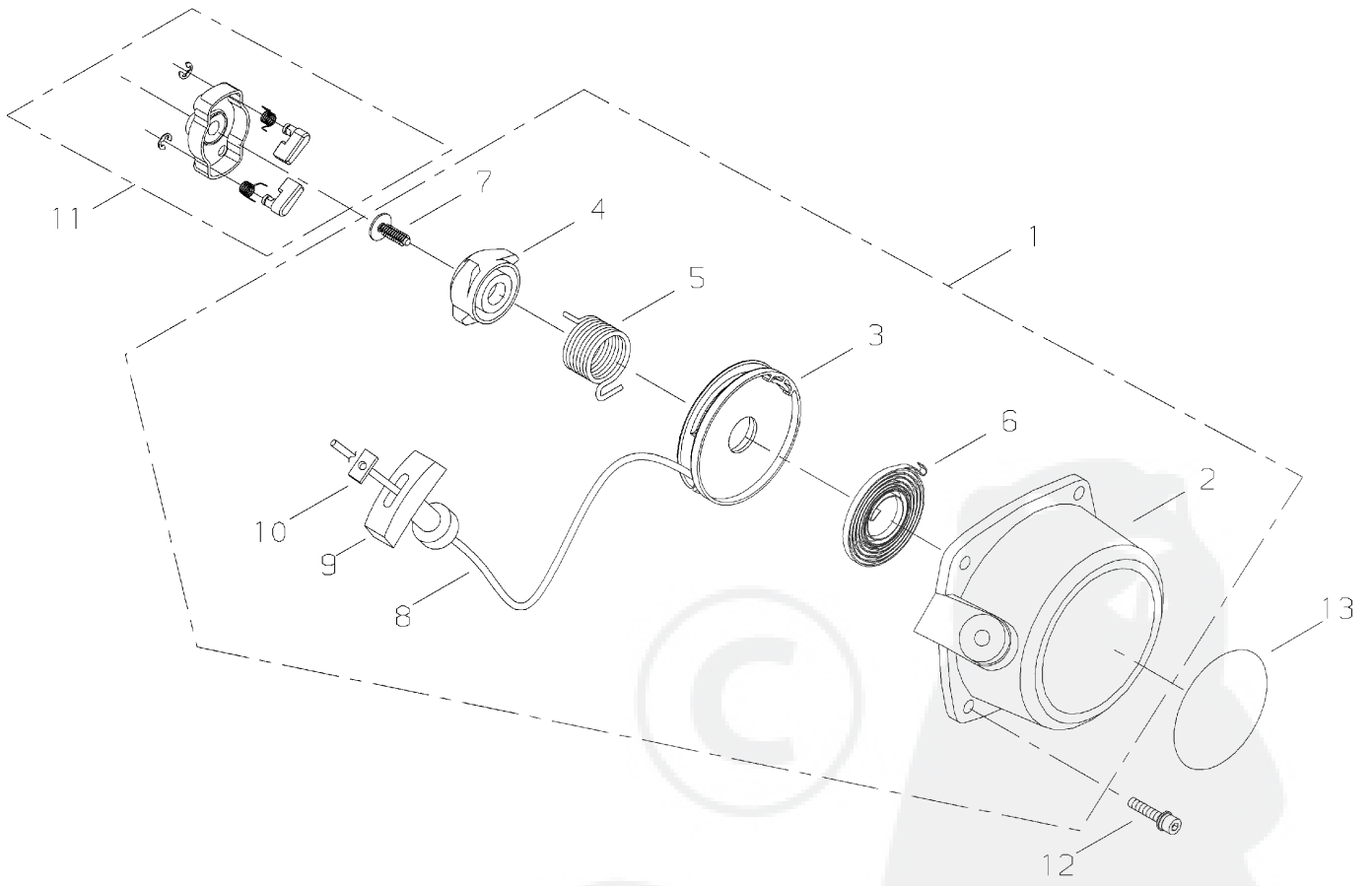
Ref. No	Part No.	Part Name	Qty	Remarks, Serial No.
1-1	62809-12111	CYLINDER	1	
2	20016-12120	GASKET	1	
3	01020-05250	BOLT	2	
4	20016-12213	INSULATOR	1	
5	20016-12222	GASKET	1	
7	11022-05300	BOLT SW	2	
8	70135-15110	MUFFLER	1	
9	20016-15123	GASKET	1	
10	01020-05500	BOLT	2	
11	01610-05080	WASHER	2	
12	01020-05120	BOLT	1	



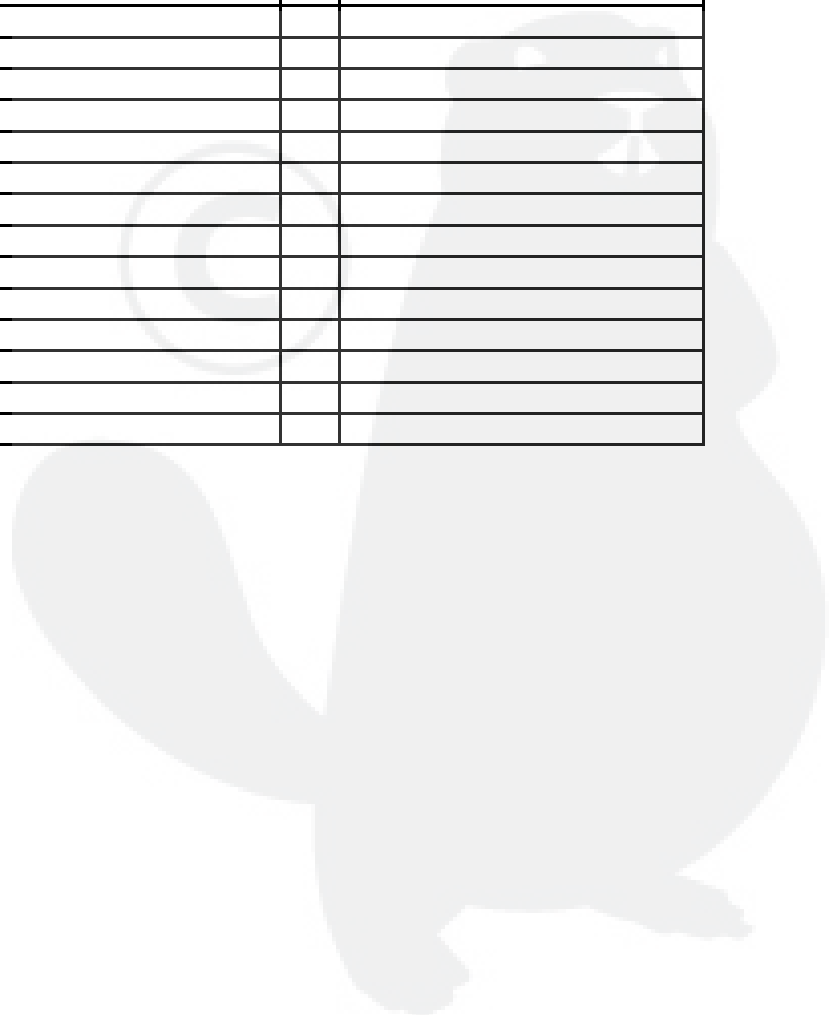


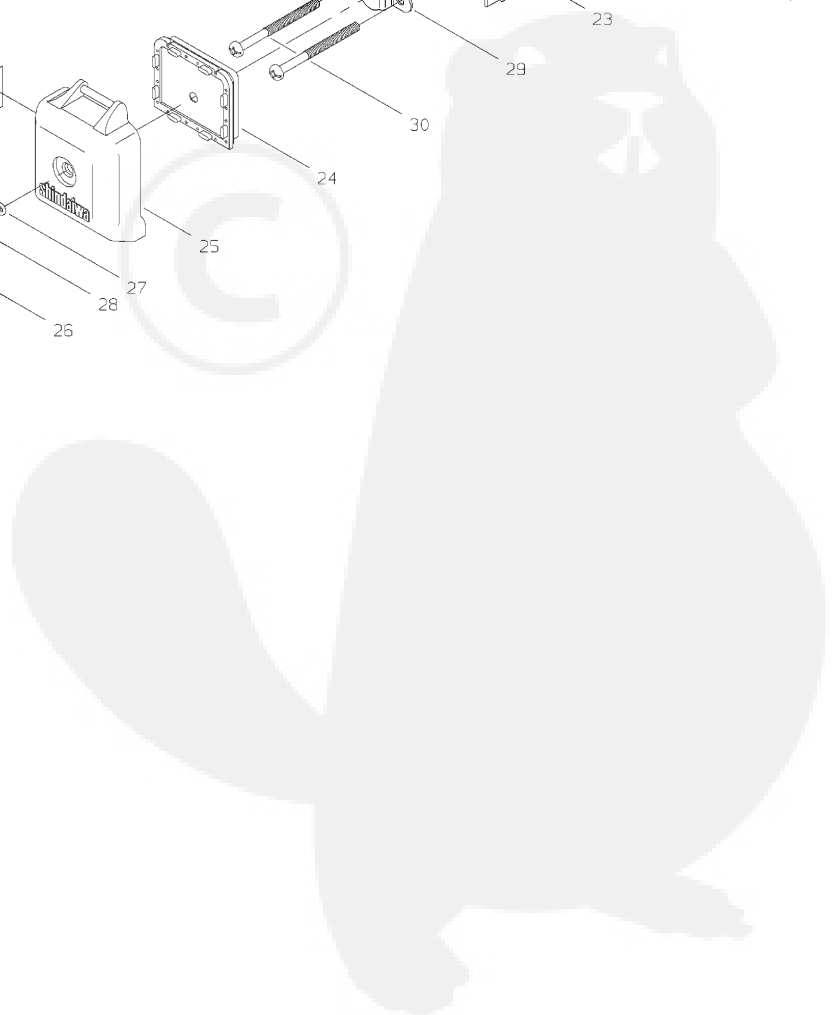
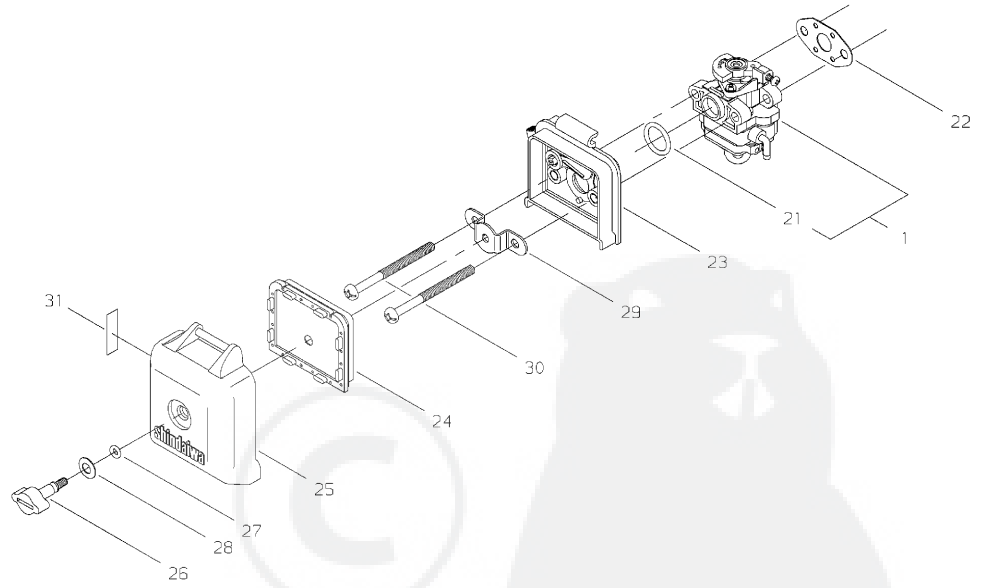
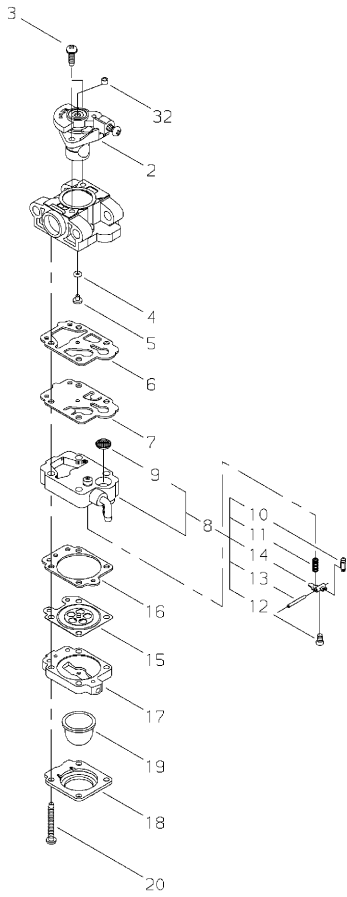


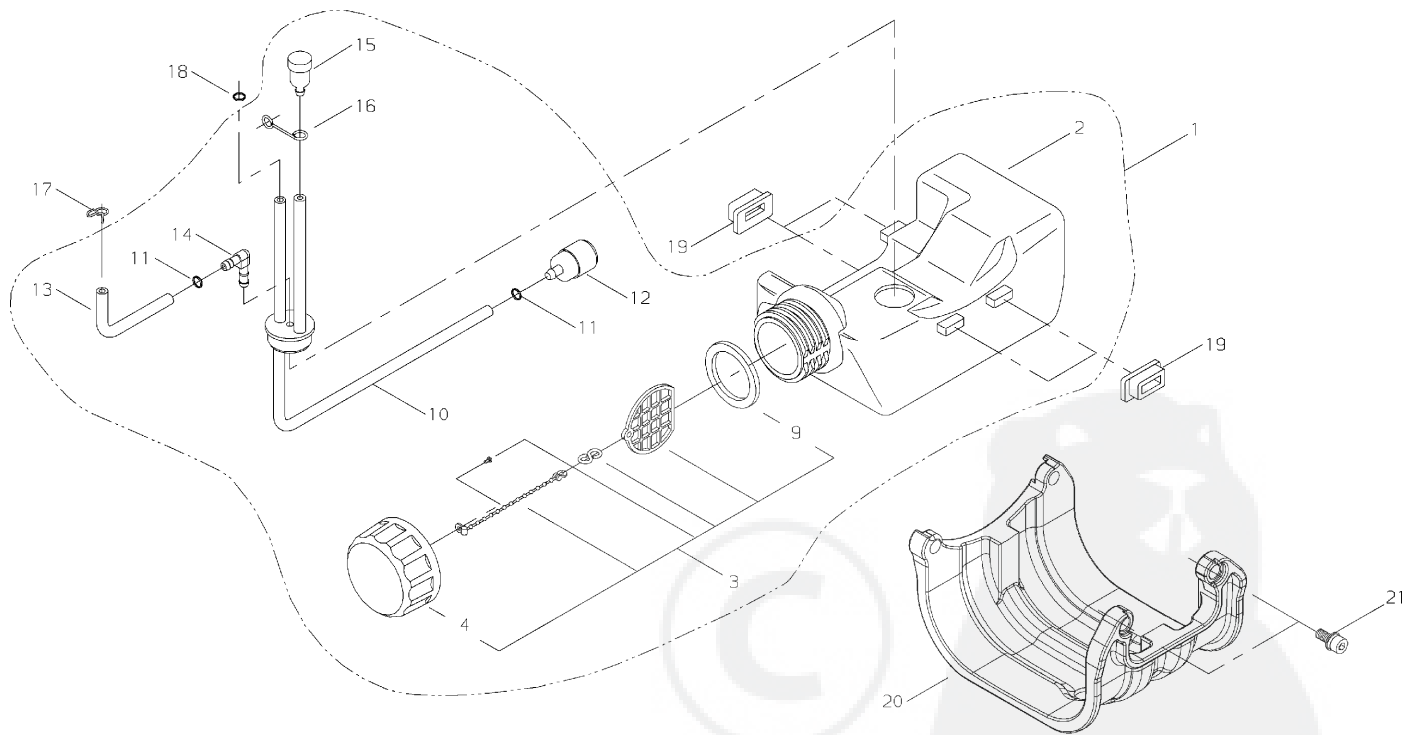




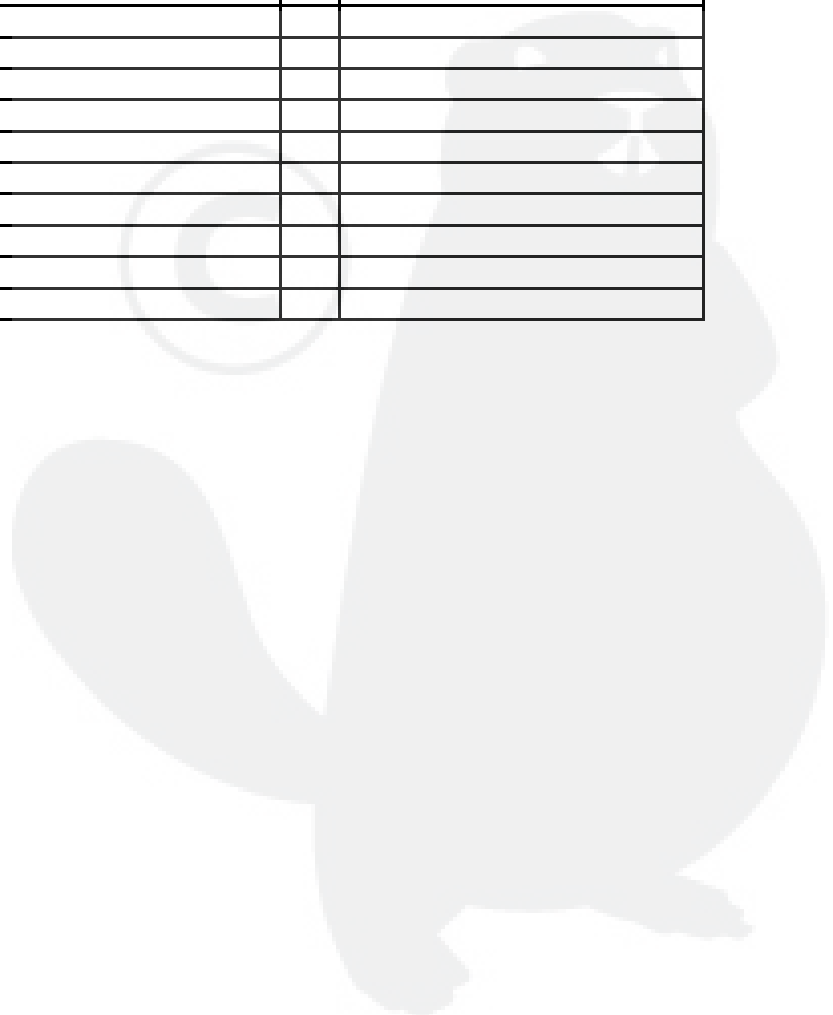
Ref. No	Part No.	Part Name	Qty	Remarks, Serial No.
5- 1	37076-75010	RECOIL STARTER ASSY.	1	
2	37076-75110	*STARTER CASE	1	
3	37076-75120	*REEL	1	
4	37076-75310	*CAM	1	
5	37076-75320	*COIL SPRING	1	
6	70030-75130	*RECOIL SPRING	1	
7	37013-75310	*SCREW	1	
8	37076-75140	*ROPE	1	
9	20010-75190	*STARTER KNOB	1	
10	20010-75210	*STOPPER	1	
11	62110-75020	STARTER PULLY ASSY.	1	
12	11060-04122	BOLT ADHESIVE	4	
13	70117-75311	NAME PLATE	1	

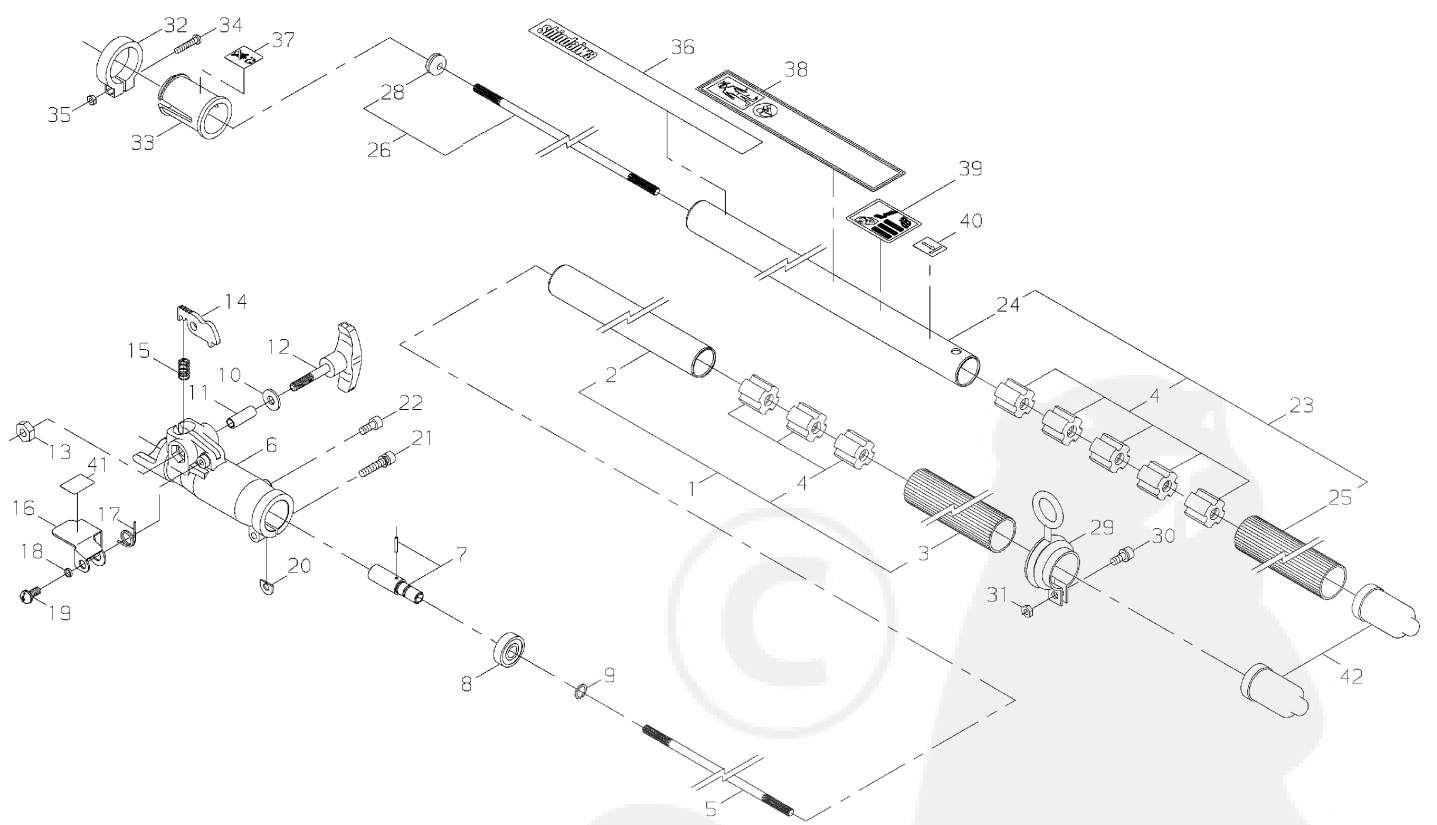




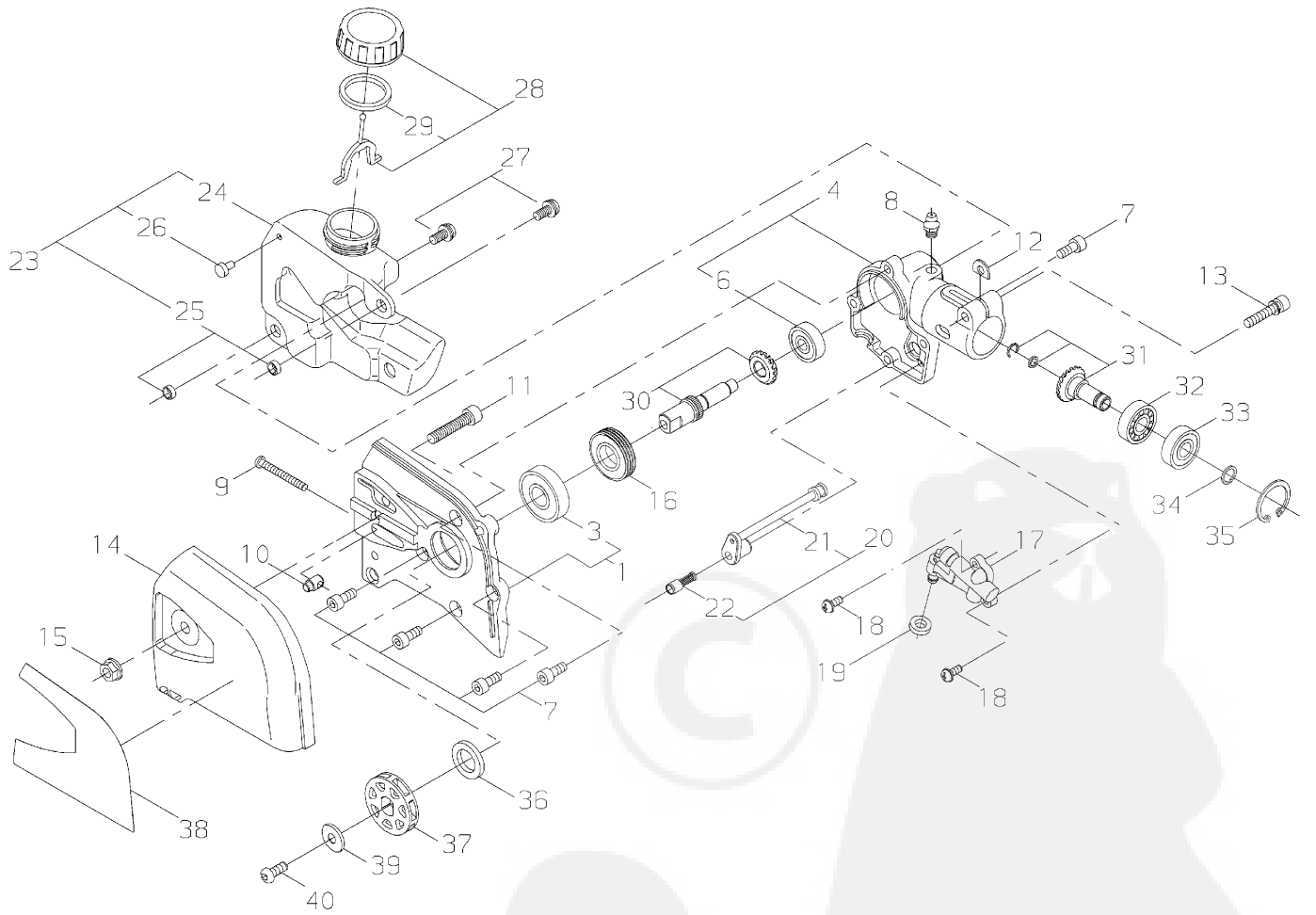


Ref. No	Part No.	Part Name	Qty	Remarks, Serial No.
7- 1	70192-85001	FUEL TANK ASSY.	1	
2	20016-85112	*FUEL TANK	1	
3	70168-85201	*FUEL CAP ASSY.	1	
4	70168-85210	**FUEL CAP	1	
9	20000-85221	**GASKET	1	
10	20016-85310	*FUEL PIPE	1	
11	20020-85540	*CLIP	2	
12	20016-85400	*FUEL FILTER	1	
13	20089-83311	*PIPE	1	
14	20087-85340	*JOINT	1	
15	20035-85522	*VALVE	1	
16	20016-12310	*VALVE HOLDER	1	
17	37013-85310	CLIP	1	
18	20020-85540	CLIP	1	
19	20024-86120	TANK CUSHION	4	
20	62902-85320	TANK GUARD	1	
21	11022-05180	BOLT SPW	2	

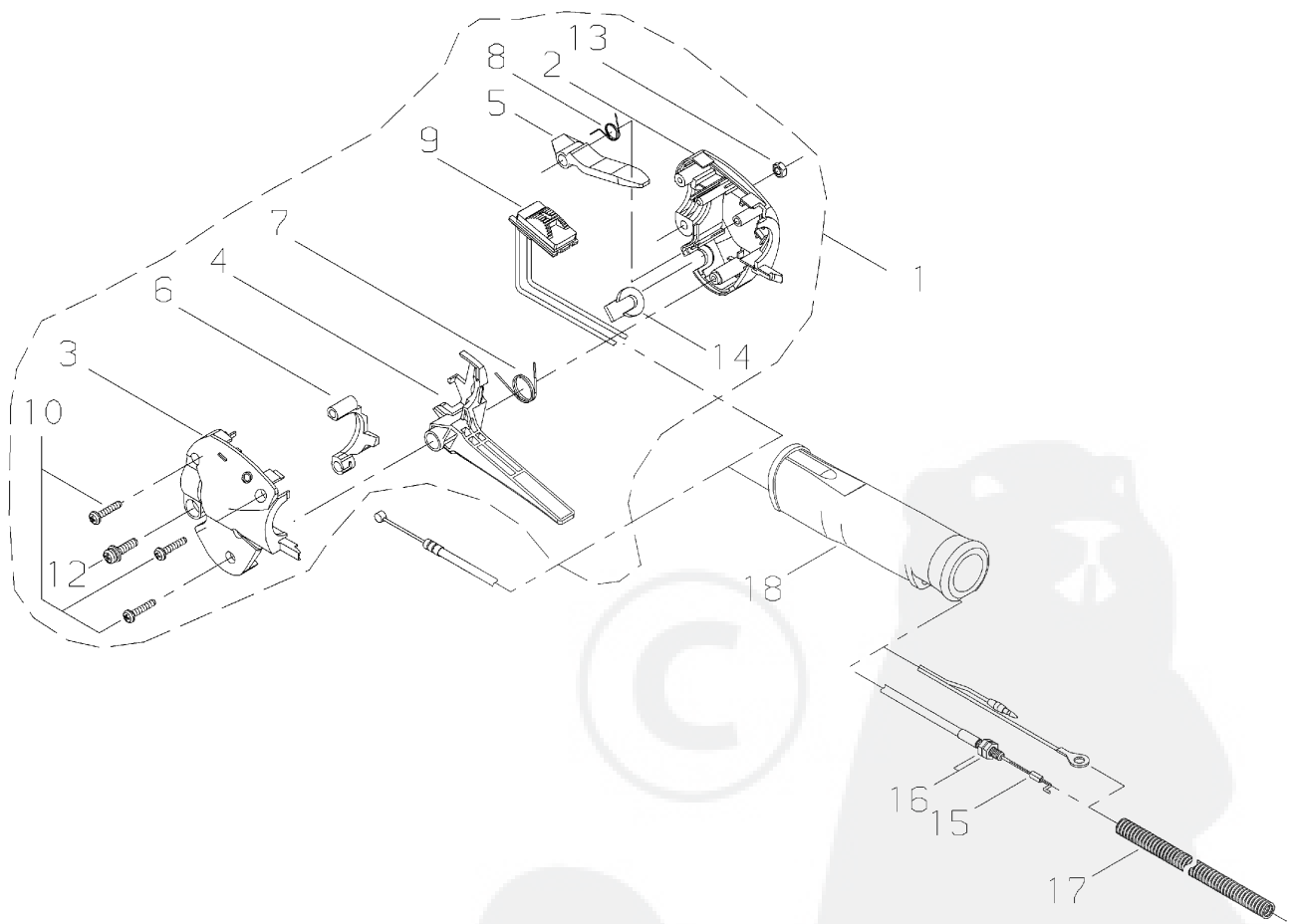




Ref. No	Part No.	Part Name	Qty	Remarks, Serial No.
8- 1	63889-64310	OUTER PIPE COMP	1	
2	63880-64320	*OUTER PIPE	1	
3	63880-64330	*GRIP	1	
4	22035-12120	*BUSH	3	
5	63880-64340	MAINSHAFT	1	
6	37000-62220	JOINT CASE	1	
7	63880-64360	JOINT SHAFT	1	
8	02002-00609	BEARING	1	
9	22420-13350	SNAP RING	1	
10	72030-14130	WASHER	1	
11	17901-06220	COLLAR	1	
12	63880-64380	KNOB	1	
13	63880-64410	NUT	1	
14	37000-62310	LOCK LEVER	1	
15	17500-06001	COIL SPRING	1	
16	37000-62340	COVER	1	
17	17520-12400	COIL SPRING	1	
18	15401-00004	COLLAR	1	
19	11207-05120	SCREW PMSLPW	1	
20	22000-13420	SHIM	1	
21	11023-05250	BOLT SW	1	
22	01020-05120	BOLT	1	
23	63880-64431	OUTER PIPE COMP.	1	
24	63880-64441	*OUTER PIPE	1	
4	22035-12120	*BUSH	5	
25	63880-64450	*GRIP	1	
26	63880-64460	MAINSHAFT ASSY.	1	
28	15250-10100	*GROMMET	1	
29	22017-12210	HANGER	1	
30	11020-05120	BOLT SW	1	
31	01500-05041	NUT	1	
32	33008-62311	CLAMP	1	
33	33008-62321	COLLAR	1	
34	11203-04160	SCREW PM	1	
35	01500-04031	NUT	1	
36	19420-00084	LABEL TRADE	1	
37	19402-00175	LABEL CAUTION	1	
38	19402-00225	LABEL CAUTION	1	
39	19404-00036	LABEL DECIBEL	1	
40	19401-00169	LABEL INST.	1	
41	19401-00168	LABEL INST	1	
42	20891-98180	LINER CAP	2	



Ref. No	Part No.	Part Name	Qty	Remarks, Serial No.
9- 1	63880-61312	GEARCASE LEFT COMP.	1	
3	02006-06001	*BEARING	1	
4	63880-61332	GEARCASE RIGHT COMP.	1	
6	02002-00627	*BEARING	1	
7	01020-05120	BOLT	5	
8	20870-61640	GREASE NIPPLE	1	
9	11260-04351	SCREW ADHESIVE	1	
10	17110-04000	SLIDE PIECE	1	
11	01020-06300	BOLT	1	
12	22000-13420	SHIM	1	
13	11023-05250	BOLT SW	1	
14	63880-61350	BAR HOLDER	1	
15	11526-06100	NUT FLANGE	1	
16	63880-62310	WORM GEAR	1	
17	22156-55200	OILPUMP ASSY.	1	
18	11205-04100	SCREW PMPW	2	
19	63880-62320	GASKET PUMP	1	
20	63880-62330	OIL PIPE ASSY.	1	
21	63880-62340	*OIL PIPE	1	
22	63880-62350	*FILTER	1	
23	63880-62361	OIL TANK ASSY.	1	
24	63880-62381	*OIL TANK	1	
25	17901-06030	*COLLAR	2	
26	22115-57120	*VALVE OIL TANK	1	
27	11207-05120	SCREW PMSLPW	2	
28	63880-62391	OIL CAP ASSY.	1	
29	70030-85221	*GASKET CAP	1	
30	63880-63011	GEARSHAFT	1	
31	63880-63020	BEVEL PINION	1	
32	02000-00609	BEARING	1	
33	02002-00609	BEARING	1	
34	22420-13350	SNAP RING	1	
35	02432-24120	SNAP RING	1	
36	15401-21020	COLLAR	1	
37	12032-07102	SPROCKET	1	
38	19402-00180	LABEL CAUTION	1	
39	20870-62131	WASHER	1	
40	11210-06140	SCREW BUTTON	1	



Ref. No	Part No.	Part Name	Qty	Remarks, Serial No.
10-1	63002-62161	THROTTLE LEVER ASSY.	1	
2	63002-62320	*BODY RIGHT	1	
3	63002-62330	*BODY LEFT	1	
4	63002-62340	*LEVER	1	
5	63901-62352	*LOCK LEVER	1	
6	63002-62350	*HOLDER	1	
7	63880-65350	*COIL SPRING	1	
8	63901-62370	*COIL SPRING	1	
9	63002-62360	*SWITCH	1	
10	63880-65360	*SCREW TAPPING	3	
12	11206-05201	*SCREW PMSPW	1	
13	01501-05030	*NUT	1	
14	63880-65411	*PLUG	1	
15	63023-62170	THROTTLE CABLE	1	
16	01501-06041	NUT	2	
17	22422-14540	TUBE	1	
18	63901-62140	GRIP	1	

