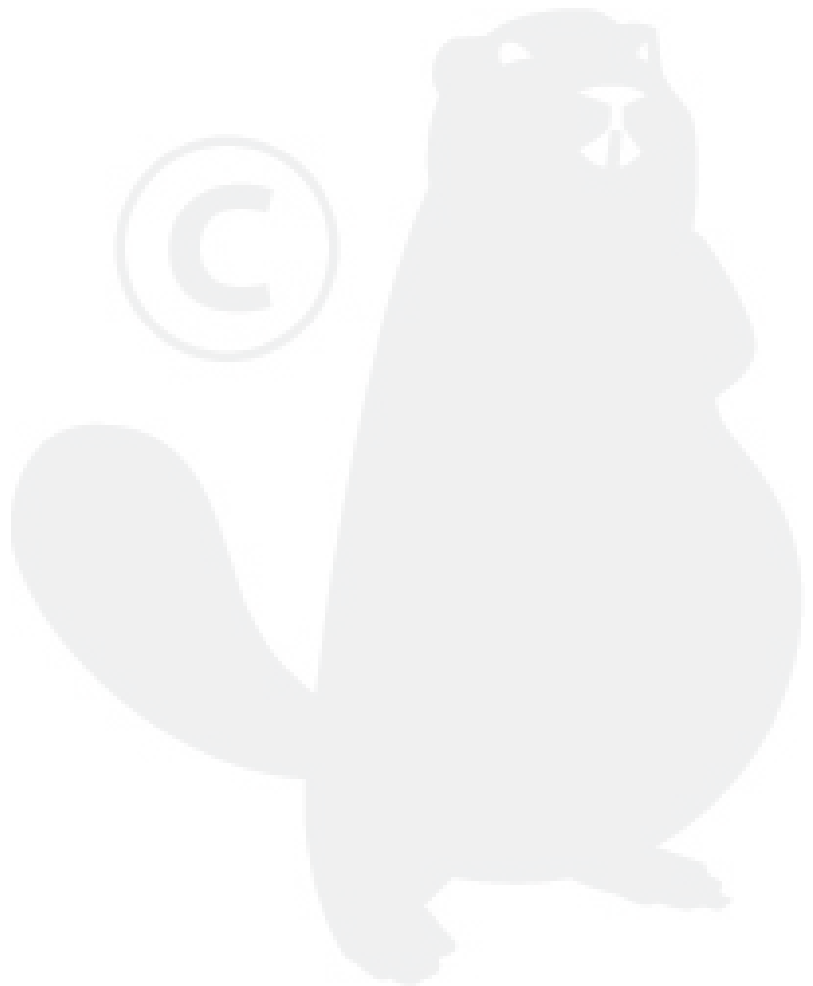
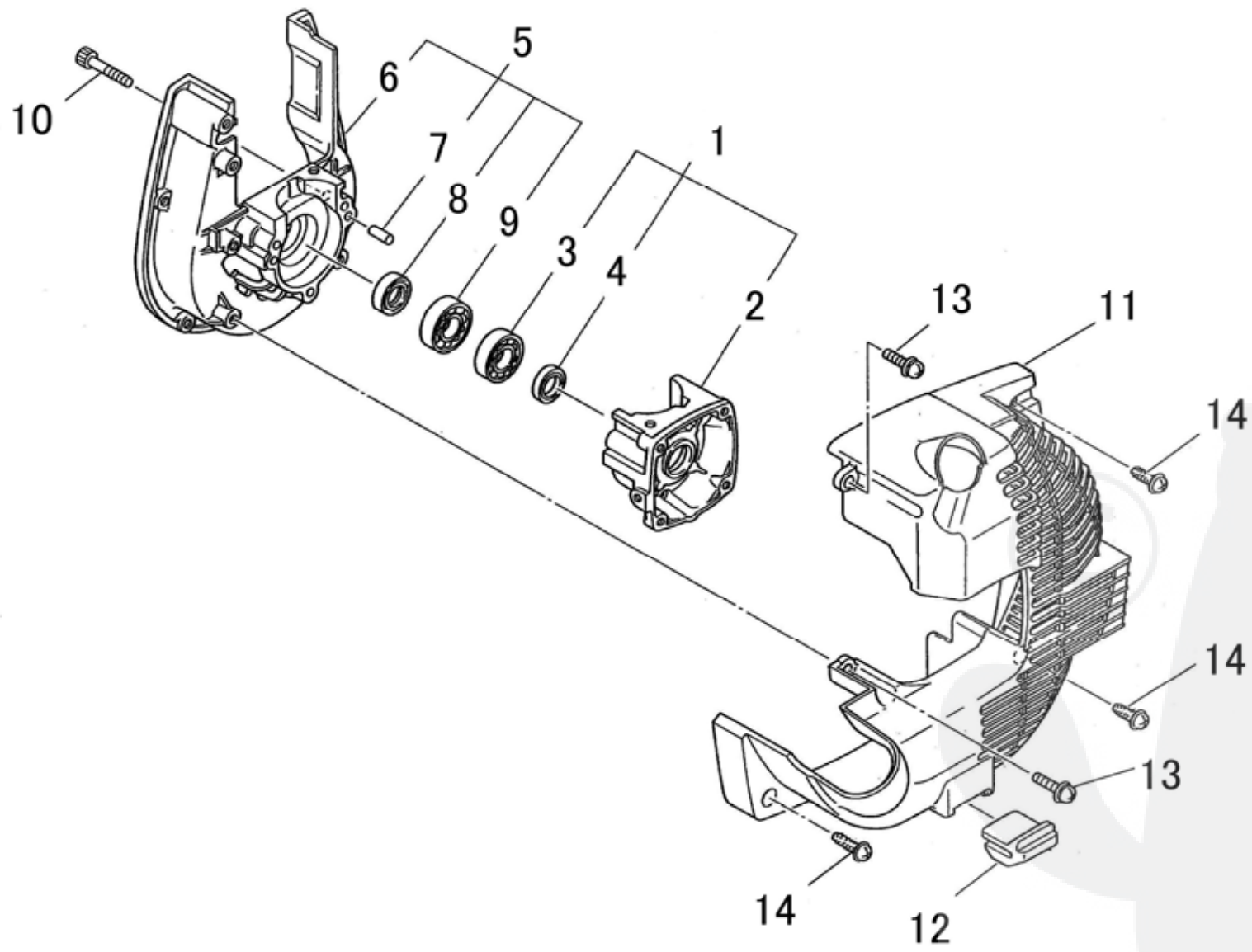
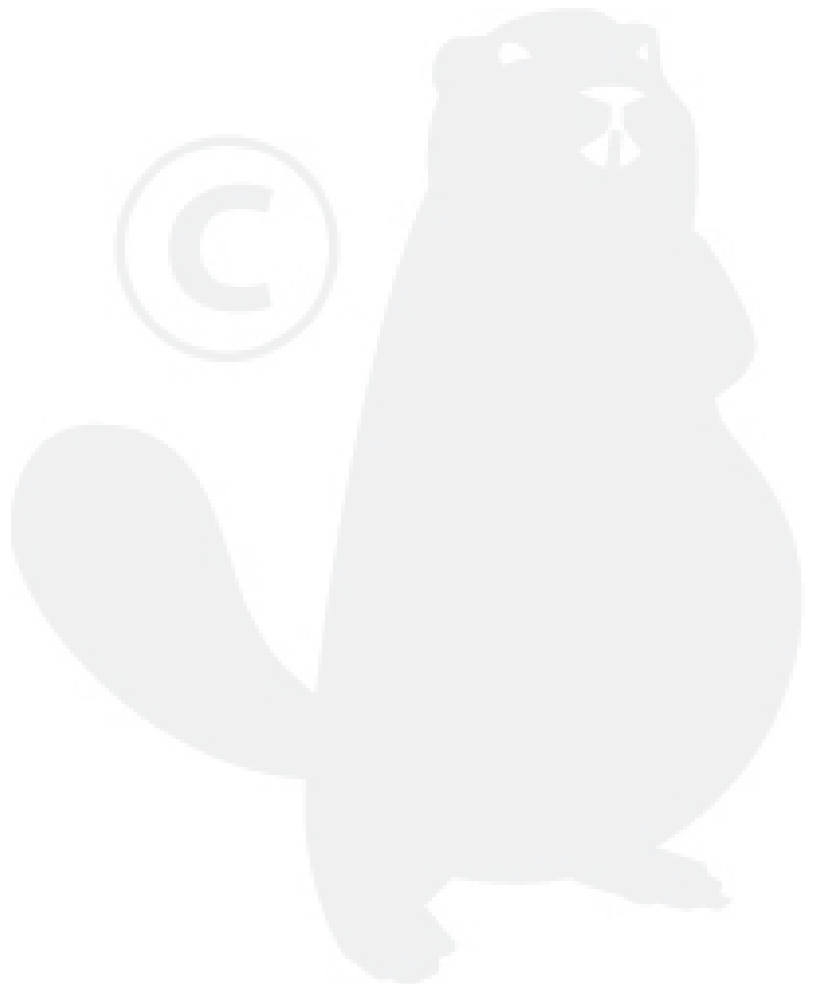


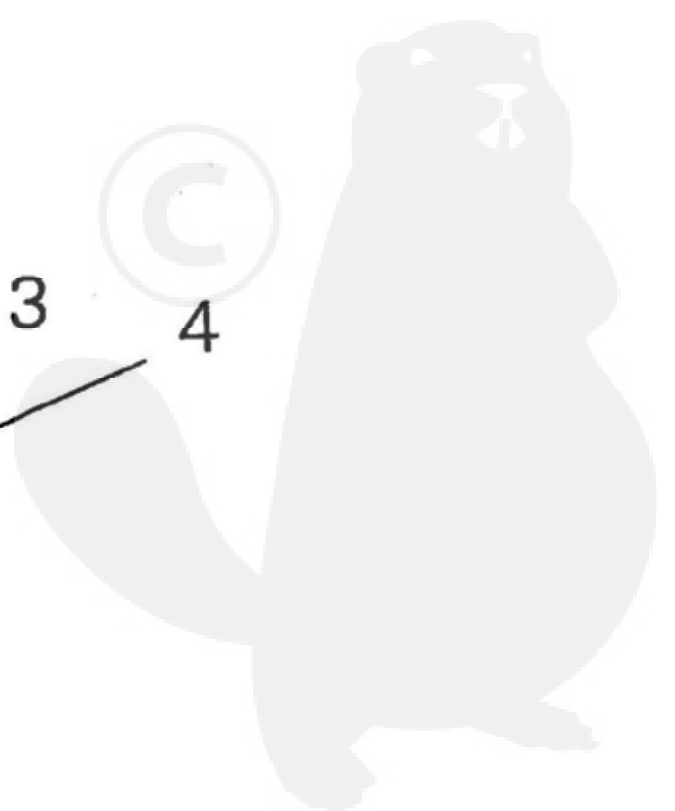
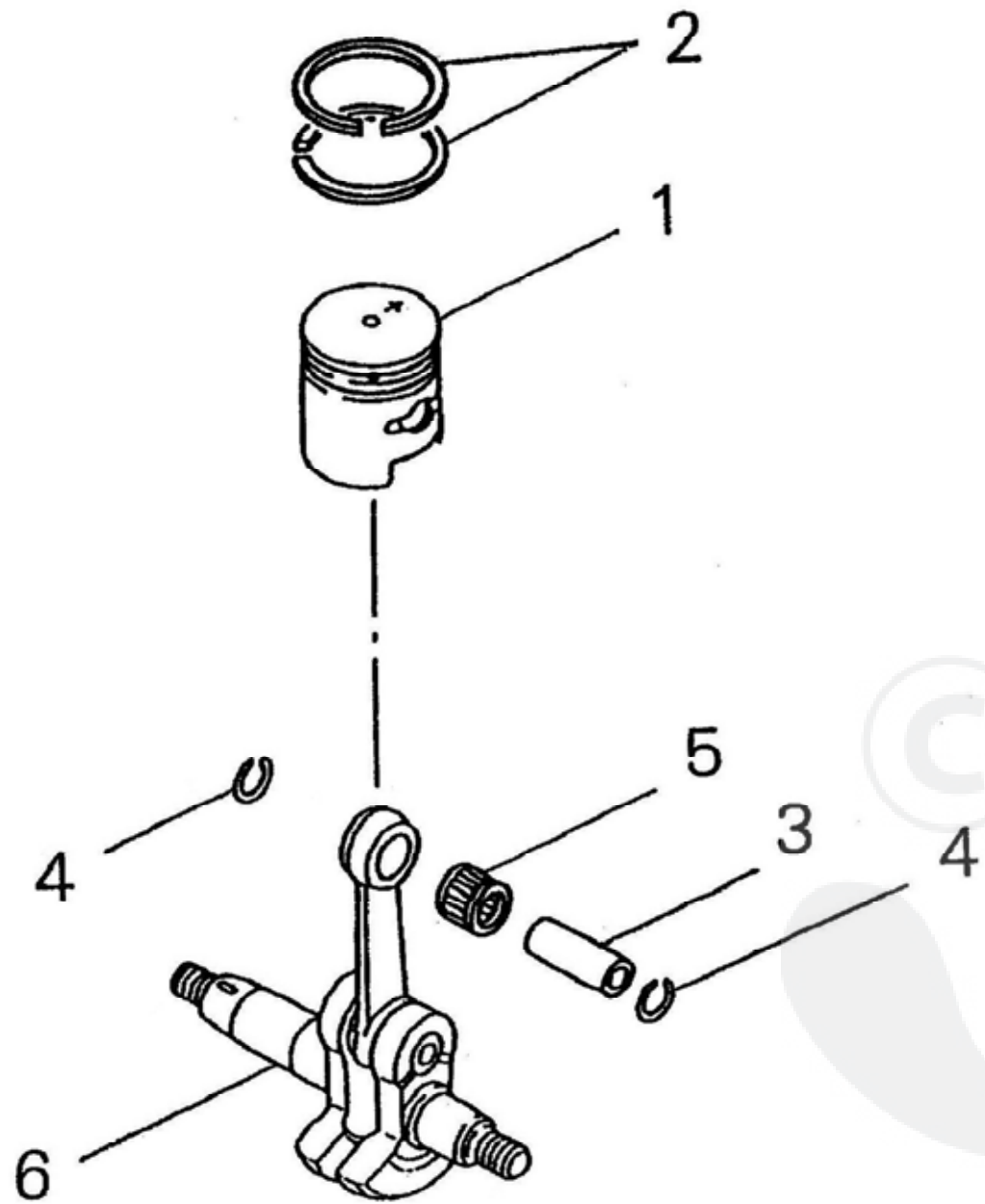
| Ref. No | Part No. | Part Name | Q`ty |
|---------|-------------|----------------|------|
| 1- 1 | 72934-12111 | CYLINDER | 1 |
| 2 | 20870-12121 | GASKET | 1 |
| 3 | 01020-05200 | BOLT | 2 |
| 4 | 72933-12211 | BOOT | 1 |
| 5 | 72933-12220 | GASKET | 1 |
| 6 | 11207-05160 | SCREWPM SLPW | 2 |
| 7 | 72933-12310 | HOLDER | 1 |
| 8 | 11207-05160 | SCREWPM SLPW | 2 |
| 9 | 72933-15100 | MUFFLERASSY | 1 |
| 10 | 72933-15110 | *MUFFLER | 1 |
| 11 | 72933-15120 | *CHAMBER | 1 |
| 12 | 72933-15131 | *GASKET | 1 |
| 13 | 72933-15140 | *SPARKARRESTER | 1 |
| 14 | 72933-15150 | *GUIDEPLATE | 1 |
| 15 | 11206-04100 | *SCREWPM | 3 |
| 16 | 68234-15210 | GASKET | 1 |
| 17 | 01020-05550 | BOLT | 2 |
| 18 | 01610-05080 | WASHER | 2 |
| 19 | 11207-05160 | SCREWPM SLPW | 1 |





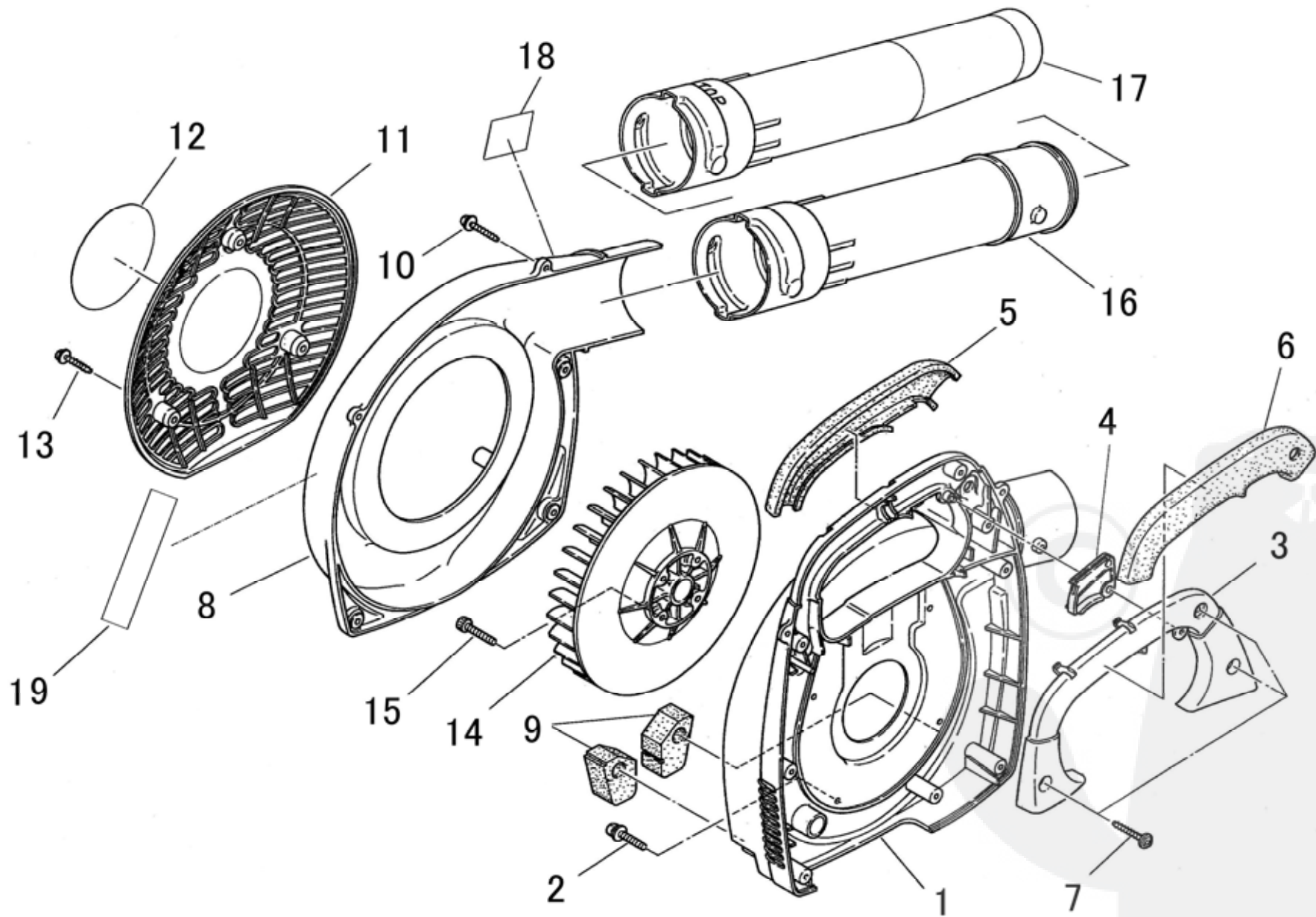
| | | | |
|------|-------------|----------------|---|
| 2- 1 | 20035-21101 | CRANKCASESCOMP | 1 |
| 2 | 20036-21112 | *CRANKCASES | 1 |
| 3 | 12900-60010 | *BEARING | 1 |
| 4 | 22150-21250 | *OILSEAL | 1 |
| 5 | 72933-21200 | CRANKCASEMCOMP | 1 |
| 6 | 72933-21210 | *CRANKCASEM | 1 |
| 7 | 12492-40080 | *ROLLER | 2 |
| 8 | 20000-21211 | *OILSEAL | 1 |
| 9 | 12900-62010 | *BEARING | 1 |
| 10 | 01020-05250 | BOLT | 3 |
| 11 | 72933-31111 | ENGINECOVER | 1 |
| 12 | 72933-31121 | CUSHION | 1 |
| 13 | 11207-05160 | SCREWPMPLPW | 2 |
| 14 | 22160-32220 | SCREWPC | 3 |





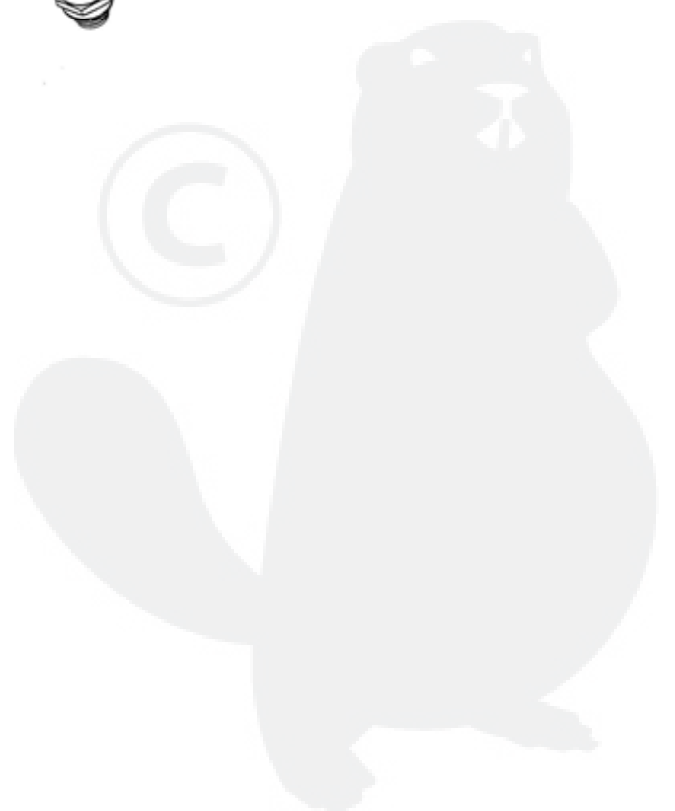
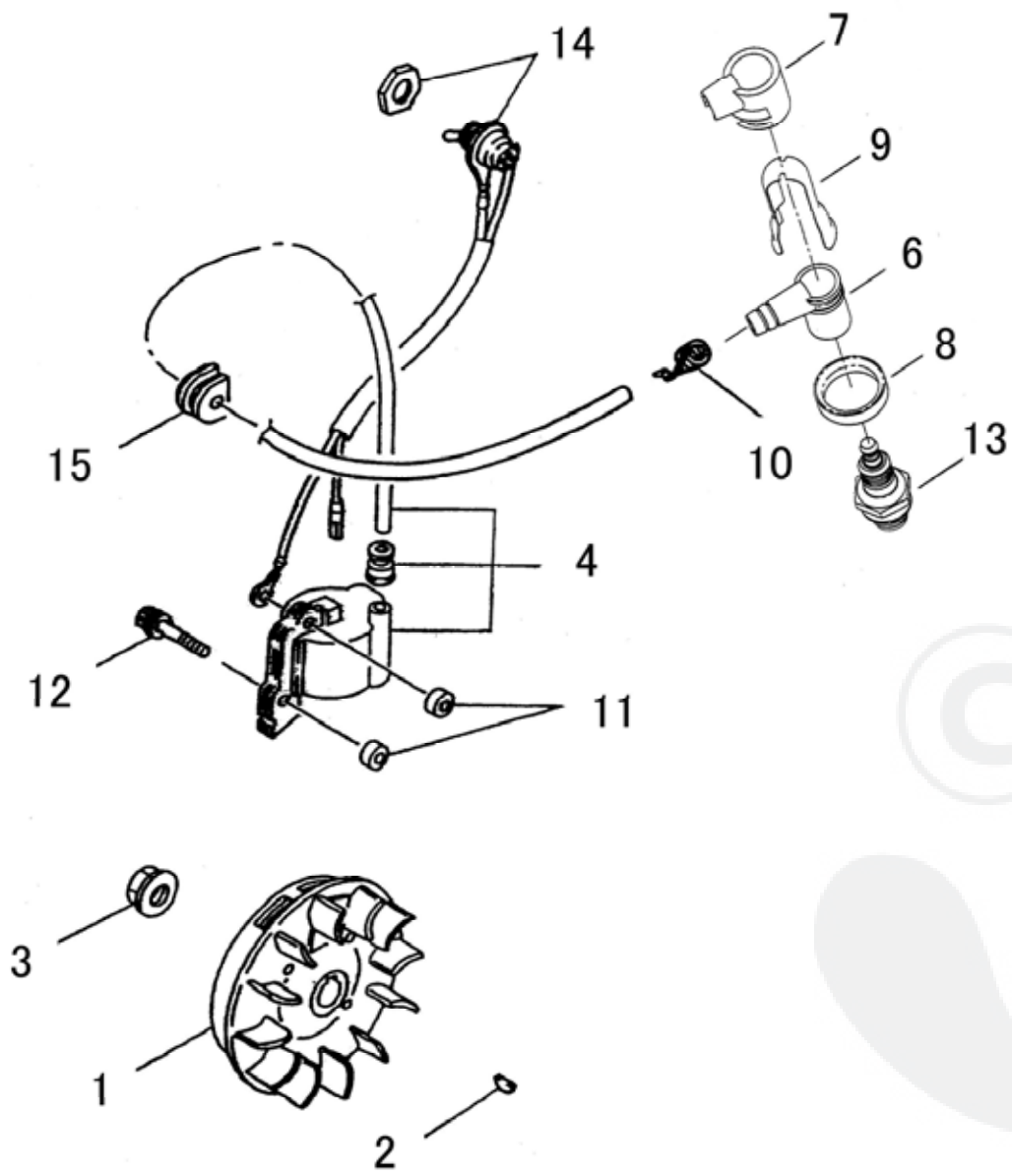
| | | | |
|------|-------------|----------------|---|
| 3- 1 | 72933-41111 | PISTON | 1 |
| 2 | 72933-41210 | PISTONRING | 2 |
| 3 | 72933-41310 | PISTONPIN | 1 |
| 4 | 70030-41320 | SNAPRING | 2 |
| 5 | 72933-41330 | NEEDLEBEARING | 1 |
| 6 | 72933-42001 | CRANKSHAFTASSY | 1 |





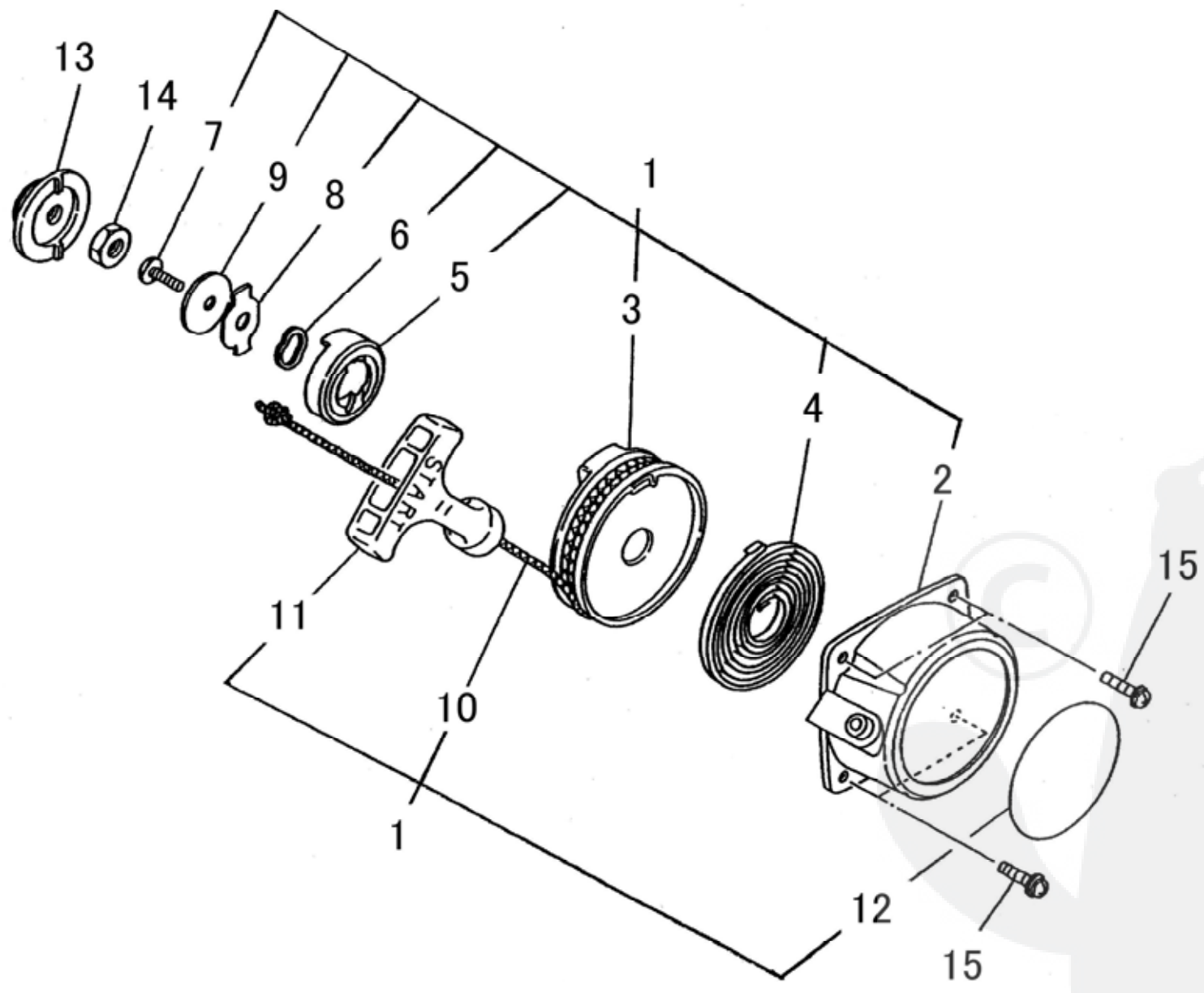
| | | | |
|------|-------------|---------------|---|
| 4- 1 | 72934-61111 | VOLUTECASE | 1 |
| 2 | 11207-05160 | SCREWMSLPW | 4 |
| 3 | 72933-61121 | HANDLECOVER | 1 |
| 4 | 72933-61210 | THROTTLELEVER | 1 |
| 5 | 72933-61231 | GRIP | 1 |
| 6 | 72933-61241 | GRIP | 1 |
| 7 | 22160-32210 | SCREWPC | 3 |
| 8 | 72933-61311 | VOLUTECOVER | 1 |
| 9 | 72933-61320 | CUSHION | 2 |
| 10 | 22160-32210 | SCREWPC | 5 |
| 11 | 72933-61411 | INTAKECOVER | 1 |
| 12 | 72933-61421 | LABELTRADE | 1 |
| 13 | 22160-32210 | SCREWPC | 3 |
| 14 | 72933-62114 | FAN | 1 |
| 15 | 11022-05200 | BOLTSPW | 4 |
| 16 | 72933-63110 | PIPE | 1 |
| 17 | 72933-63122 | NOZZLE | 1 |
| 18 | 19404-00032 | LABELDECIBEL | 1 |
| 19 | 19402-00148 | LABELCAUTION | 1 |





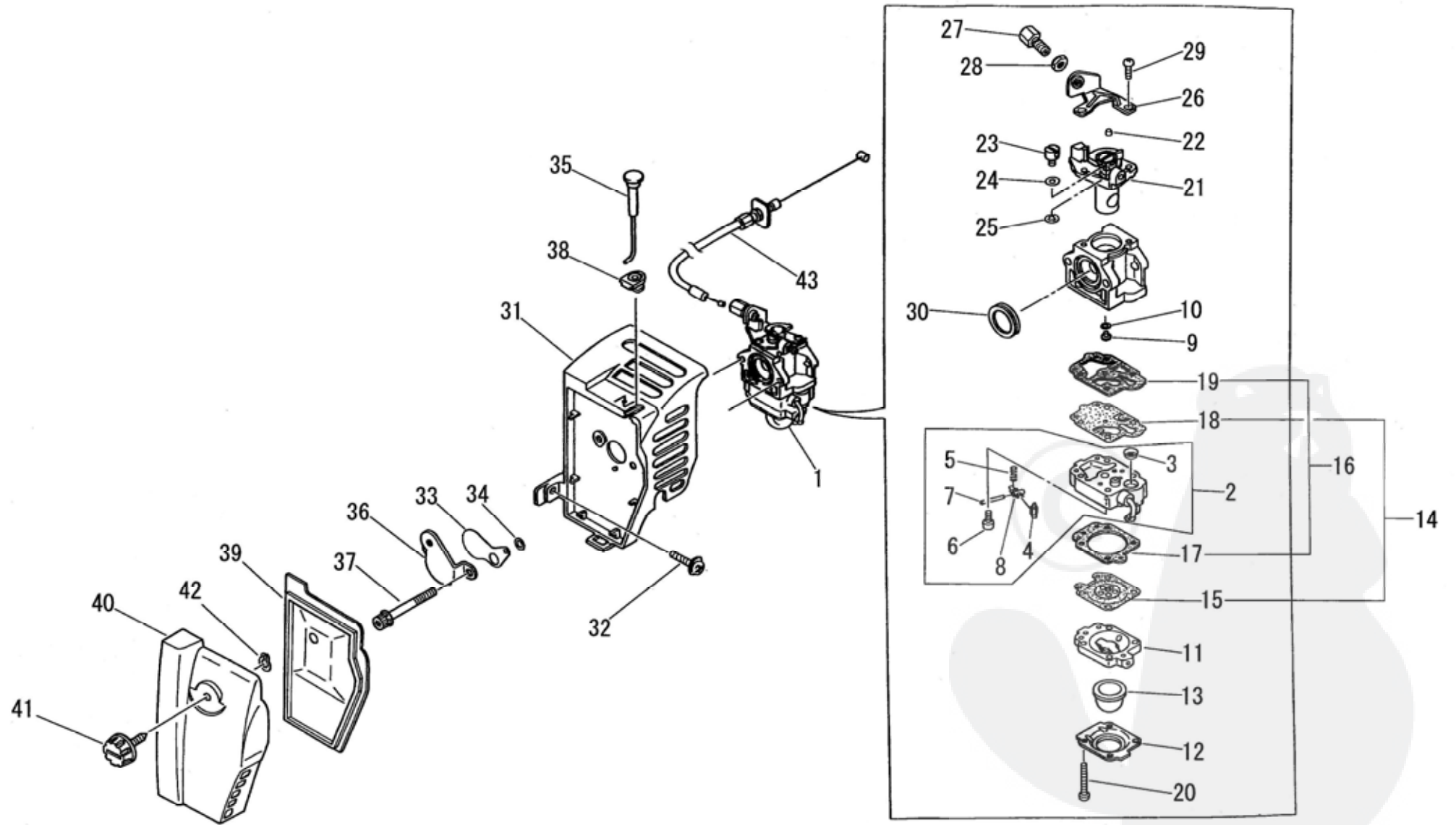
| | | | |
|------|-------------|-----------------|---|
| 5- 1 | 72933-71200 | ROTOR | 1 |
| 2 | 02403-03100 | KEY | 1 |
| 3 | 20035-71220 | NUT | 1 |
| 4 | 72933-71600 | COILASSY | 1 |
| 6 | 20010-72221 | PLUGCAP | 1 |
| 7 | 20000-72241 | PLUGCAPCOVER | 1 |
| 8 | 20000-72250 | COVERBAND | 1 |
| 9 | 70180-72260 | SHIELD | 1 |
| 10 | 20000-72230 | SPRINGSPARKPLUG | 1 |
| 11 | 70030-71620 | INSULATOR | 2 |
| 12 | 11024-04261 | BOLTSLPW | 2 |
| 13 | 13000-13406 | SPARKPLUGBMR6A | 1 |
| 14 | 72933-74110 | SWITCH | 1 |
| 15 | 20011-72110 | GROMMET | 1 |



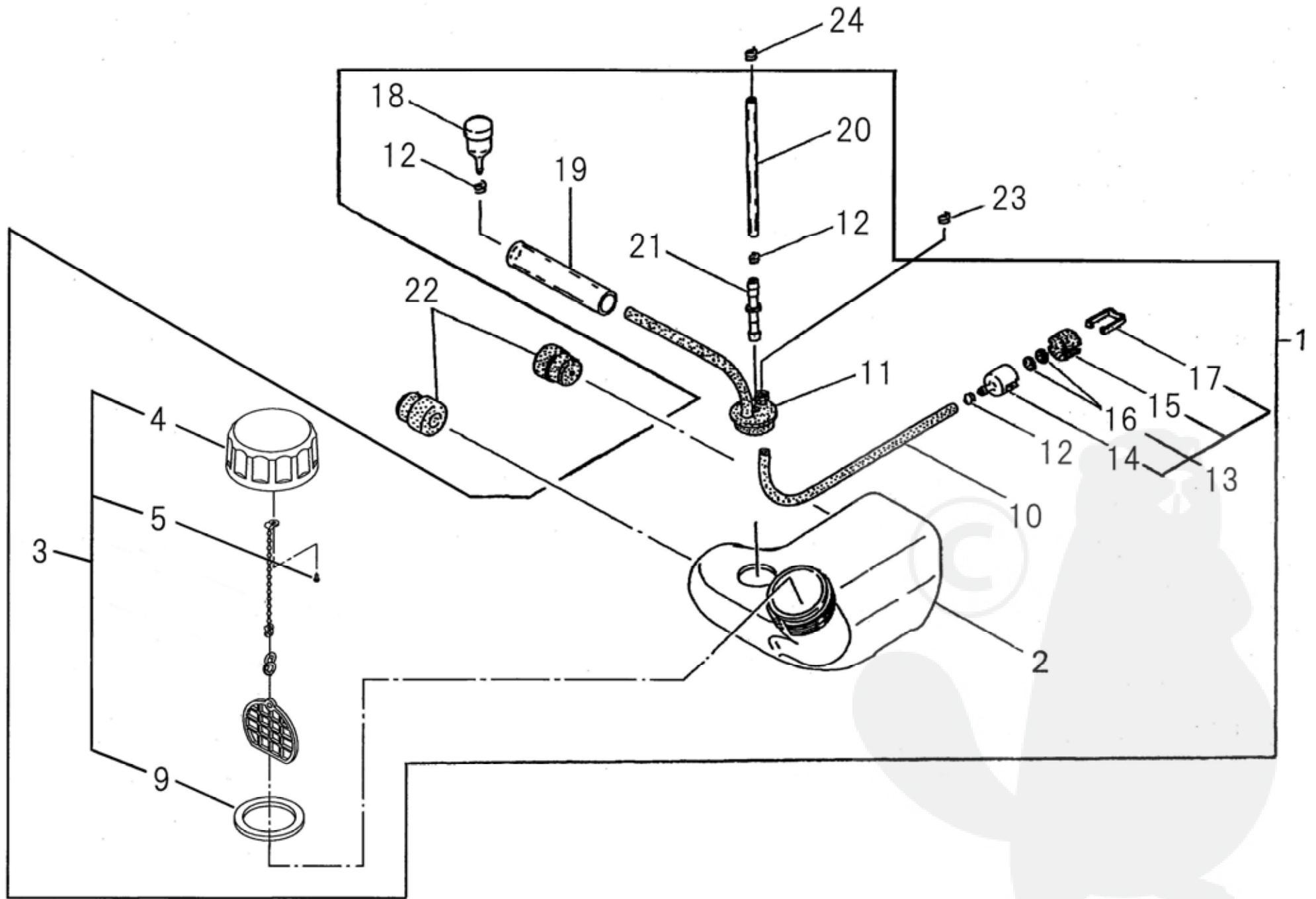


| | | | |
|------|-------------|----------------------|---|
| 6- 1 | 72933-75101 | RECOILSTARTERSUBASSY | 1 |
| 2 | 70064-75110 | *STARTERCASE | 1 |
| 3 | 72933-75120 | *REEL | 1 |
| 4 | 70064-75130 | *RECOILSPRING | 1 |
| 5 | 72933-75140 | *DOG | 1 |
| 6 | 70064-75150 | *WAVEWASHER | 1 |
| 7 | 72933-75160 | *SCREW | 1 |
| 8 | 72933-75170 | *RETAINER | 1 |
| 9 | 72933-75180 | *WASHER | 1 |
| 10 | 70064-75190 | *ROPE | 1 |
| 11 | 32004-75150 | *KNOB | 1 |
| 12 | 70117-75311 | *NAMEPLATE | 1 |
| 13 | 70064-75310 | STARTERPULLEY | 1 |
| 14 | 01511-08051 | NUT | 1 |
| 15 | 11238-04120 | SCREWPMSPW | 4 |



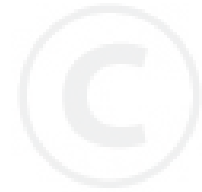
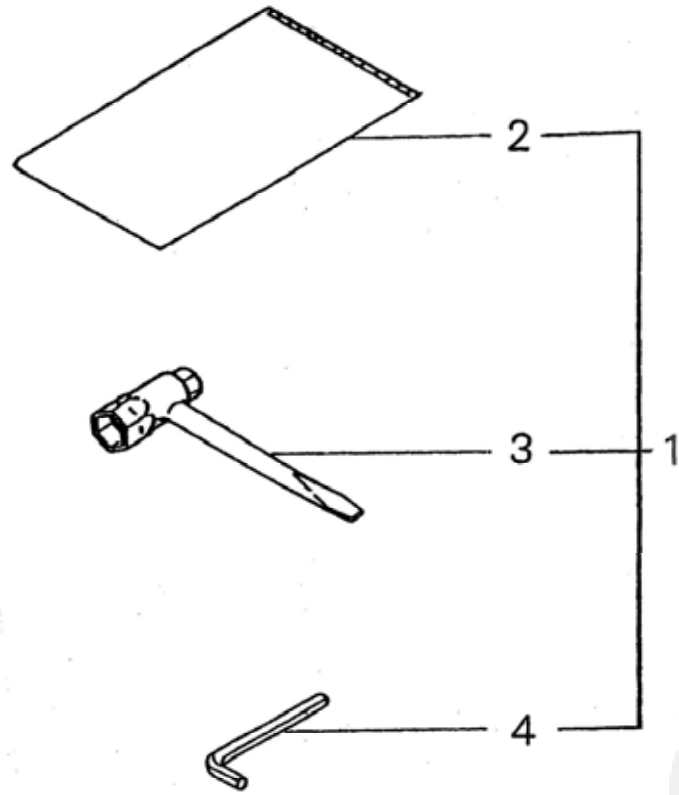


| | | | |
|------|-------------|------------------|---|
| 7- 1 | 72934-81001 | CARBURETORASSY | 1 |
| 2 | 72933-81410 | *PUMPBODYASSY | 1 |
| 3 | 70030-81380 | **SCREEN | 1 |
| 4 | 20036-81440 | **NEEDLEVALVE | 1 |
| 5 | 72933-81270 | **SPRING | 1 |
| 6 | 20016-81450 | **SCREW | 1 |
| 7 | 22100-81250 | **PIN | 1 |
| 8 | 22100-81230 | **LEVER | 1 |
| 9 | 72934-81231 | *MAINJET | 1 |
| 10 | 70097-81220 | *ORING | 1 |
| 11 | 20016-81420 | *PUMPBASECOMP | 1 |
| 12 | 20016-81510 | *PUMPCOVER | 1 |
| 13 | 20036-81670 | *PRIMERPUMP | 1 |
| 14 | 70097-81920 | *DIAPHRAGMKIT | 1 |
| 15 | 22100-81260 | **DIAPHRAGMASSY | 1 |
| 18 | 70097-81320 | **DIAPHRAGM | 1 |
| 16 | 20016-81910 | *GASKETKIT | 1 |
| 17 | 20016-81280 | **GASKET | 1 |
| 19 | 70097-81310 | **GASKETPUMP | 1 |
| 20 | 20016-81140 | *SCREW | 4 |
| 21 | 22933-81310 | *VALVEASSY | 1 |
| 22 | 62074-81320 | *PLAG | 1 |
| 23 | 72933-81450 | *SWIVEL | 1 |
| 24 | 20089-81185 | *WASHER | 1 |
| 25 | 20036-81195 | *ERING | 1 |
| 26 | 20089-81130 | *BRACKET | 1 |
| 27 | 20089-81110 | *CABLEADJUSTER | 1 |
| 28 | 20036-81120 | *NUT | 1 |
| 29 | 70097-81290 | *SCREW | 2 |
| 30 | 72933-81250 | *RINGGASKET | 1 |
| 31 | 72934-82112 | CLEANERBODY | 1 |
| 32 | 22160-32210 | SCREWPC | 1 |
| 33 | 72933-82130 | CHOKEPLATE | 1 |
| 34 | 22100-82110 | WASHERCARBURETOR | 1 |
| 35 | 72933-82140 | CHOKEROD | 1 |
| 36 | 72933-82150 | BACKPLATE | 1 |
| 37 | 11022-05450 | BOLTSPW | 2 |
| 38 | 72933-82180 | GROMMET | 1 |
| 39 | 72933-82210 | FILTER | 1 |
| 40 | 72933-82230 | CLEANERCOVER | 1 |
| 41 | 70064-32130 | SCREW | 1 |
| 42 | 02439-05080 | GRIPRING | 1 |
| 43 | 72934-83110 | THROTTLECABLE | 1 |



| | | | |
|------|-------------|-----------------|---|
| 8- 1 | 68204-85013 | FUELTANKASSY | 1 |
| 2 | 72933-85110 | *FUELTANK | 1 |
| 3 | 68204-85020 | *FUELCAPASSY | 1 |
| 4 | 70168-85210 | **FUELCAP | 1 |
| 5 | 01270-25064 | **SCREWTAPPING | 1 |
| 9 | 20000-85221 | **GASKET | 1 |
| 10 | 72933-85310 | *PIPE | 1 |
| 11 | 72933-85350 | *GROMMET | 1 |
| 12 | 20020-85540 | *CLIP | 3 |
| 13 | 70030-85401 | *FUELFILTERCOMP | 1 |
| 14 | 70030-85411 | **WEIGHTFUEL | 1 |
| 15 | 70030-85420 | **FILTERA | 1 |
| 16 | 70030-81380 | **SCREEN | 2 |
| 17 | 70030-85440 | **CLIPFILTER | 1 |
| 18 | 20035-85522 | *VALVE | 1 |
| 19 | 72933-85530 | *PIPE | 1 |
| 20 | 72933-85611 | *PIPE | 1 |
| 21 | 72933-85620 | *JOINT | 1 |
| 22 | 72933-86110 | CUSHION | 2 |
| 23 | 20020-85540 | CLIP | 1 |
| 24 | 37013-85310 | CLIP | 1 |





| | | | |
|------|-------------|-------------|---|
| 9- 1 | 72490-91000 | TOOLSET | 1 |
| 2 | 19639-01100 | *POLYBAG | 1 |
| 3 | 22000-91181 | *PLUGWRENCH | 1 |
| 4 | 09026-04001 | *HEXAWRENCH | 1 |

