

Shindaiwa Illustrated Parts List

EB240 EC1 Blower

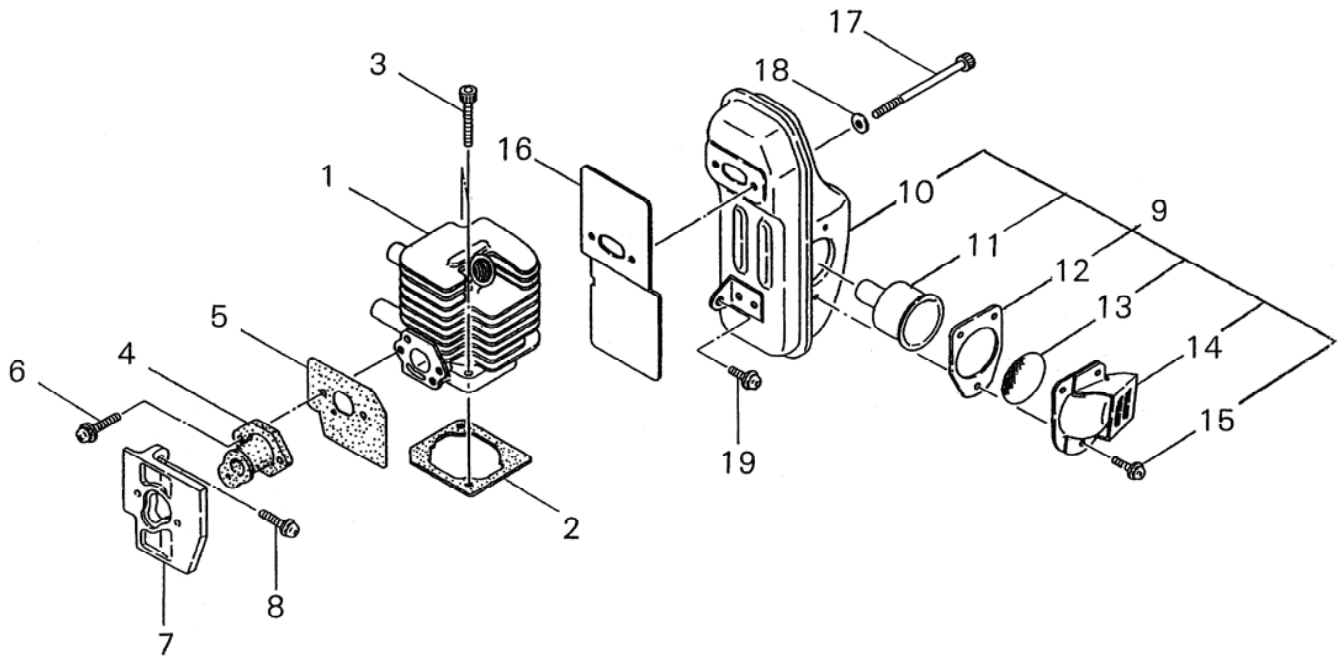
CYLINDER.....	2
CRANKCASE.....	3
PISTON.....	4
VOLUTE CASE.....	5
ROTOR.....	6
RECOIL STARTER ASSEMBLY.....	7
CARBURETOR ASSEMBLY.....	8
FUEL TANK ASSEMBLY.....	9
TOOL SET.....	10

www.shindaiwa.com
11975 SW Herman Road
Tualatin, Oregon 97062, U.S.A.
1 + 503.692.3070 • fax 1 + 503.692.6696 •

shindaiwa

CYLINDER

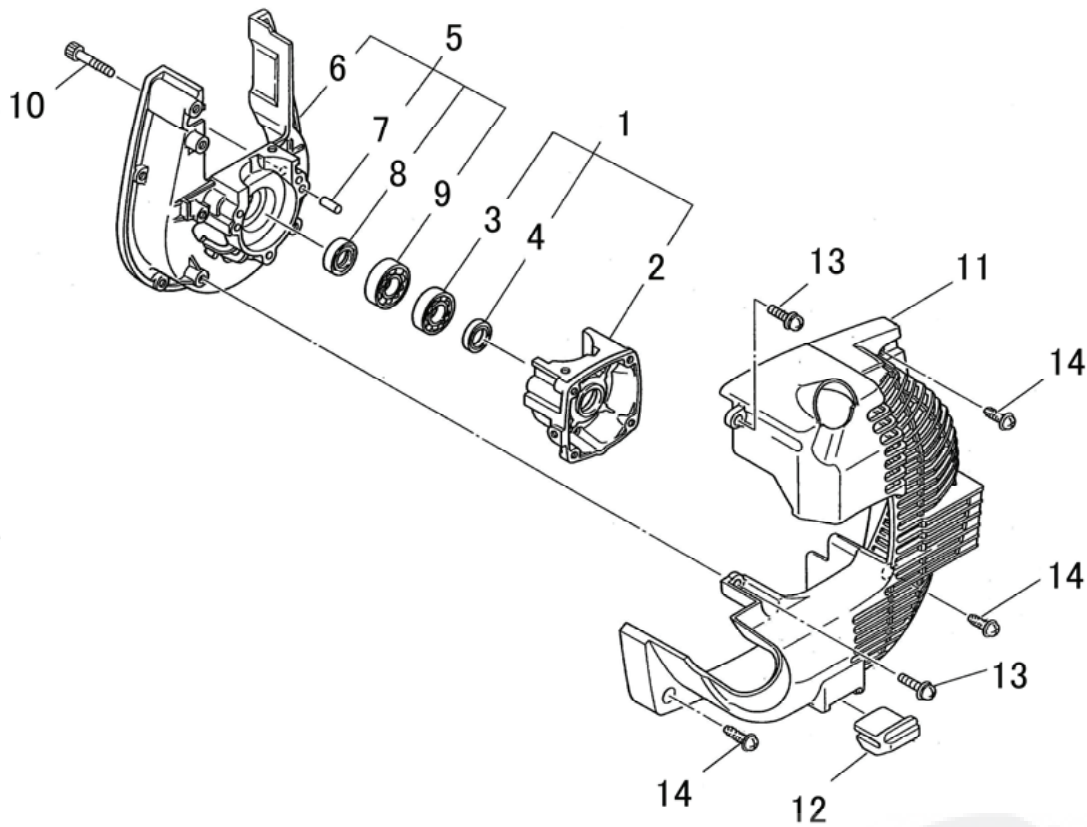
REV 3/05



Ref. No	Part No.	Part Name	Q'ty
1-1	72934-12111	CYLINDER	1
2	20870-12121	GASKET	1
3	01020-05200	BOLT	2
4	72933-12211	BOOT	1
5	72933-12220	GASKET	1
6	11207-05160	SCREW PM SLPW	2
7	72933-12310	HOLDER	1
8	11207-05160	SCREW PM SLPW	2
9	72933-15100	MUFFLER ASSEMBLY	1
10	72933-15110	*MUFFLER	1
11	72933-15120	*CHAMBER	1
12	72933-15131	*GASKET	1
13	72933-15140	*SPARK ARRESTER	1
14	72933-15150	*GUIDE PLATE	1
15	11206-04100	*SCREW PM	3
16	68234-15210	GASKET	1
17	01020-05550	BOLT	2
18	01610-05080	WASHER	2
19	11207-05160	SCREW PM SLPW	1

CRANKCASE

REV 3/05

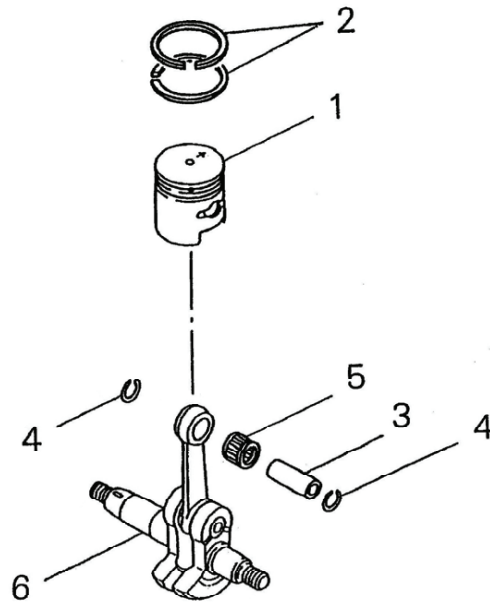


Ref. No	Part No.	Part Name	Q'ty
2-1	20035-21101	CRANKCASES COMP	1
2	20036-21112	*CRANKCASES	1
3	12900-60010	*BEARING	1
4	22150-21250	*OIL SEAL	1
5	72933-21200	CRANKCASE M COMP	1
6	72933-21210	*CRANKCASE M	1
7	12492-40080	*ROLLER	2
8	20000-21211	*OIL SEAL	1
9	12900-62010	*BEARING	1
10	01020-05250	BOLT	3
11	72933-31111	ENGINE COVER	1
12	72933-31121	CUSHION	1
13	11207-05160	SCREW PM SLPW	2
14	22160-32220	SCREW PC	3

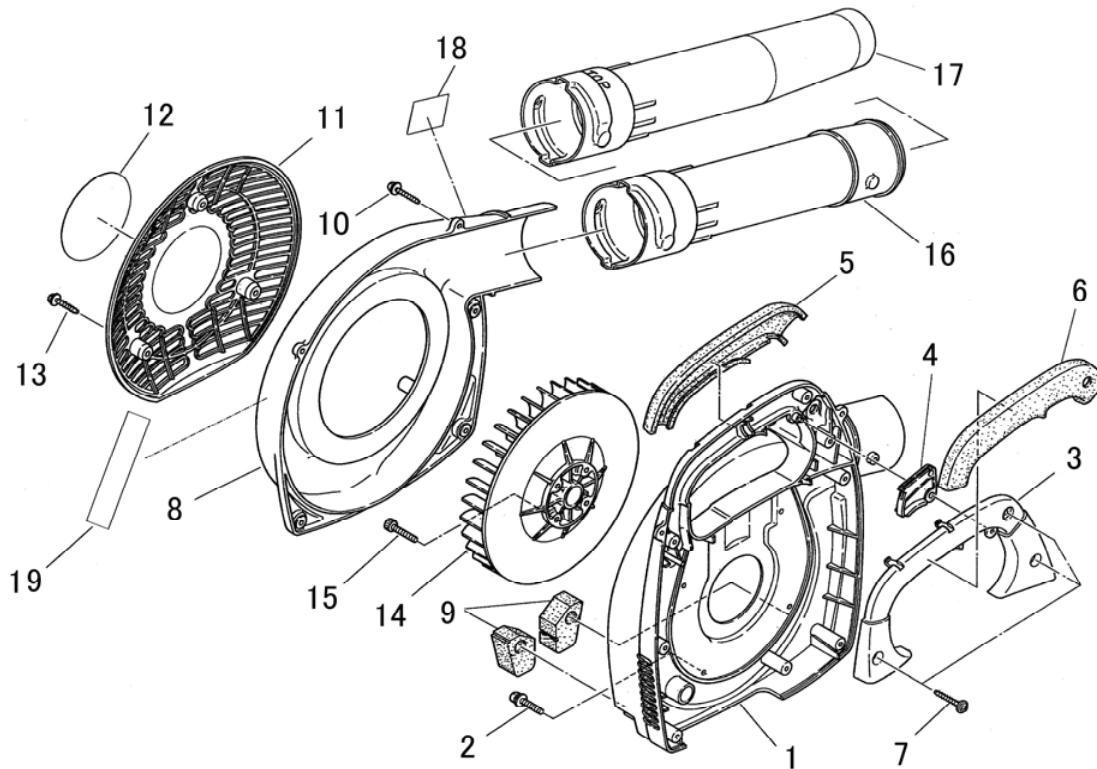
* Denotes item is part of an assembly ** Denotes item is part of a sub-assembly

PISTON

REV 3/05



Ref. No	Part No.	Part Name	Q'ty
3- 1	72933-41111	PISTON	1
2	72933-41210	PISTON RING	2
3	72933-41310	PISTON PIN	1
4	70030-41320	SNAP RING	2
5	72933-41330	NEEDLE BEARING	1
6	72933-42001	CRANKSHAFT ASSEMBLY	1

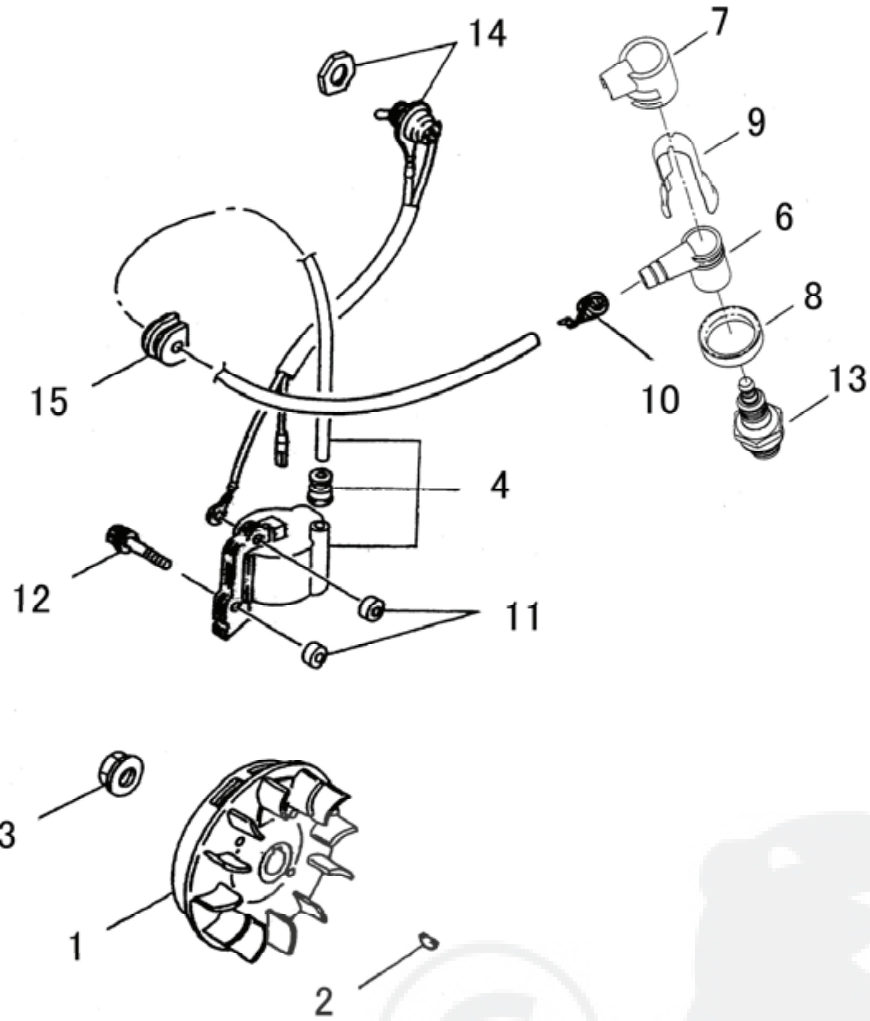


Ref. No	Part No.	Part Name	Q'ty
4-1	72934-61111	VOLUTE CASE	1
2	11207-05160	SCREW PM SLPW	4
3	72933-61121	HANDLE COVER	1
4	72933-61210	THROTTLE LEVER	1
5	72933-61231	GRIP	1
6	72933-61241	GRIP	1
7	22160-32210	SCREW PC	3
8	72933-61311	VOLUTE COVER	1
9	72933-61320	CUSHION	2
10	22160-32210	SCREW PC	5
11	72933-61411	INTAKE COVER	1
12	72933-61421	LABEL TRADE	1
13	22160-32210	SCREW PC	3
14	72933-62114	FAN	1
15	11022-05200	BOLTSPW	4
16	72933-63110	PIPE	1
17	72933-63122	NOZZLE	1
18	19404-00032	LABEL DECIBEL	1
19	19402-00148	LABEL CAUTION	1

* Denotes item is part of an assembly ** Denotes item is part of a sub-assembly

ROTOR

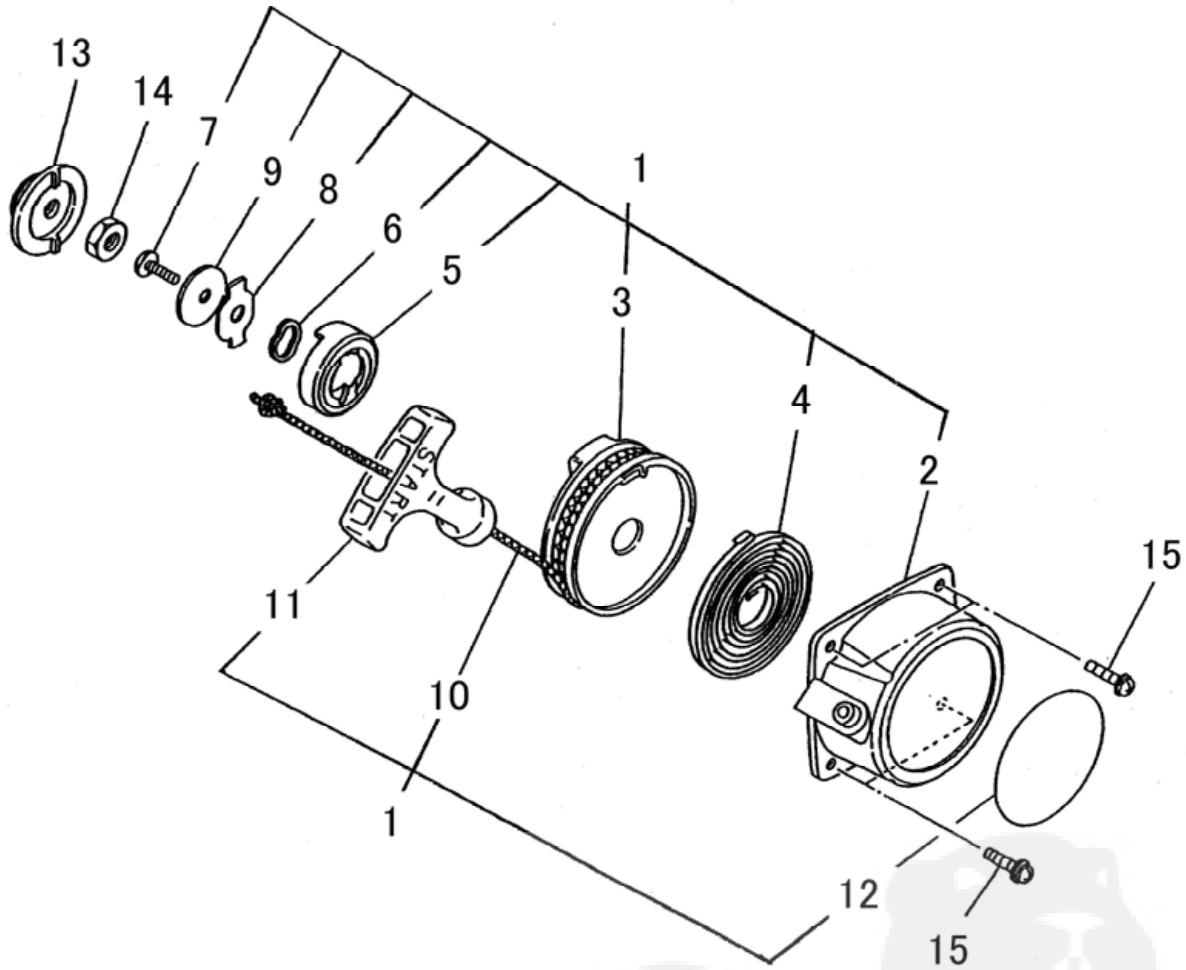
REV 3/05



Ref. No	Part No.	Part Name	Q'ty
5- 1	72933-71200	ROTOR	1
2	02403-03100	KEY	1
3	20035-71220	NUT	1
4	72933-71600	COIL ASSEMBLY	1
6	20010-72221	PLUG CAP	1
7	20000-72241	PLUG CAP COVER	1
8	20000-72250	COVER BAND	1
9	70180-72260	SHIELD	1
10	20000-72230	SPRING SPARK PLUG	1
11	70030-71620	INSULATOR	2
12	11024-04261	BOLTSLPW	2
13	13000-13406	SPARK PLUG BMR6A	1
14	72933-74110	SWITCH	1
15	20011-72110	GROMMET	1

RECOIL STARTER ASSEMBLY

REV 3/05

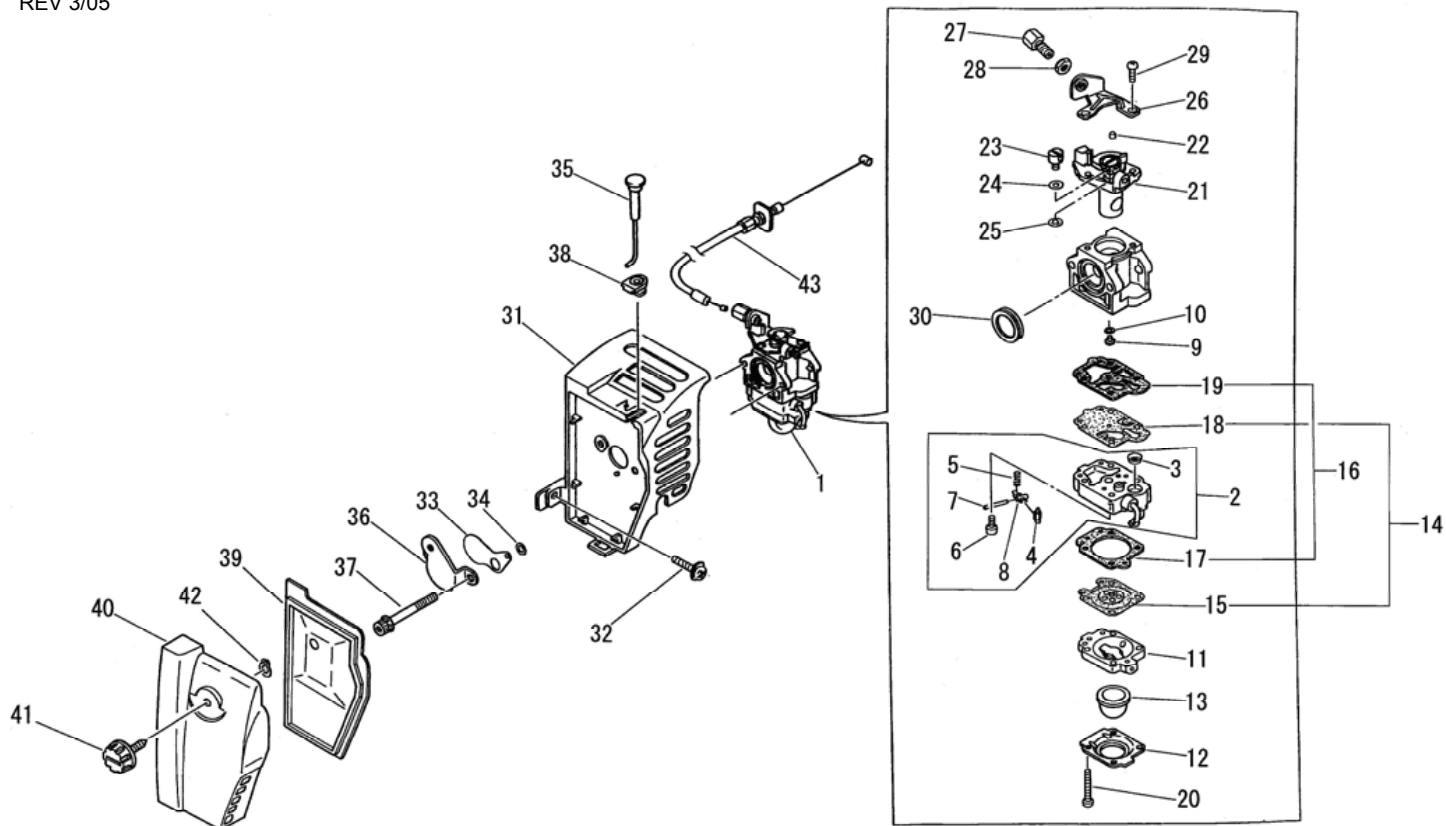


Ref. No	Part No.	Part Name	Q'ty
6-1	72933-75101	RECOIL STARTER SUB ASSEMBLY	1
2	70064-75110	*STARTER CASE	1
3	72933-75120	*REEL	1
4	70064-75130	*RECOIL SPRING	1
5	72933-75140	*DOG	1
6	70064-75150	*WAVE WASHER	1
7	72933-75160	*SCREW	1
8	72933-75170	*RETAINER	1
9	72933-75180	*WASHER	1
10	70064-75190	*ROPE	1
11	32004-75150	*KNOB	1
12	70117-75311	*NAMEPLATE	1
13	70064-75310	STARTER PULLEY	1
14	01511-08051	NUT	1
15	11238-04120	SCREW PMSPW	4

* Denotes item is part of an assembly ** Denotes item is part of a sub-assembly

CARBURETOR ASSEMBLY

REV 3/05

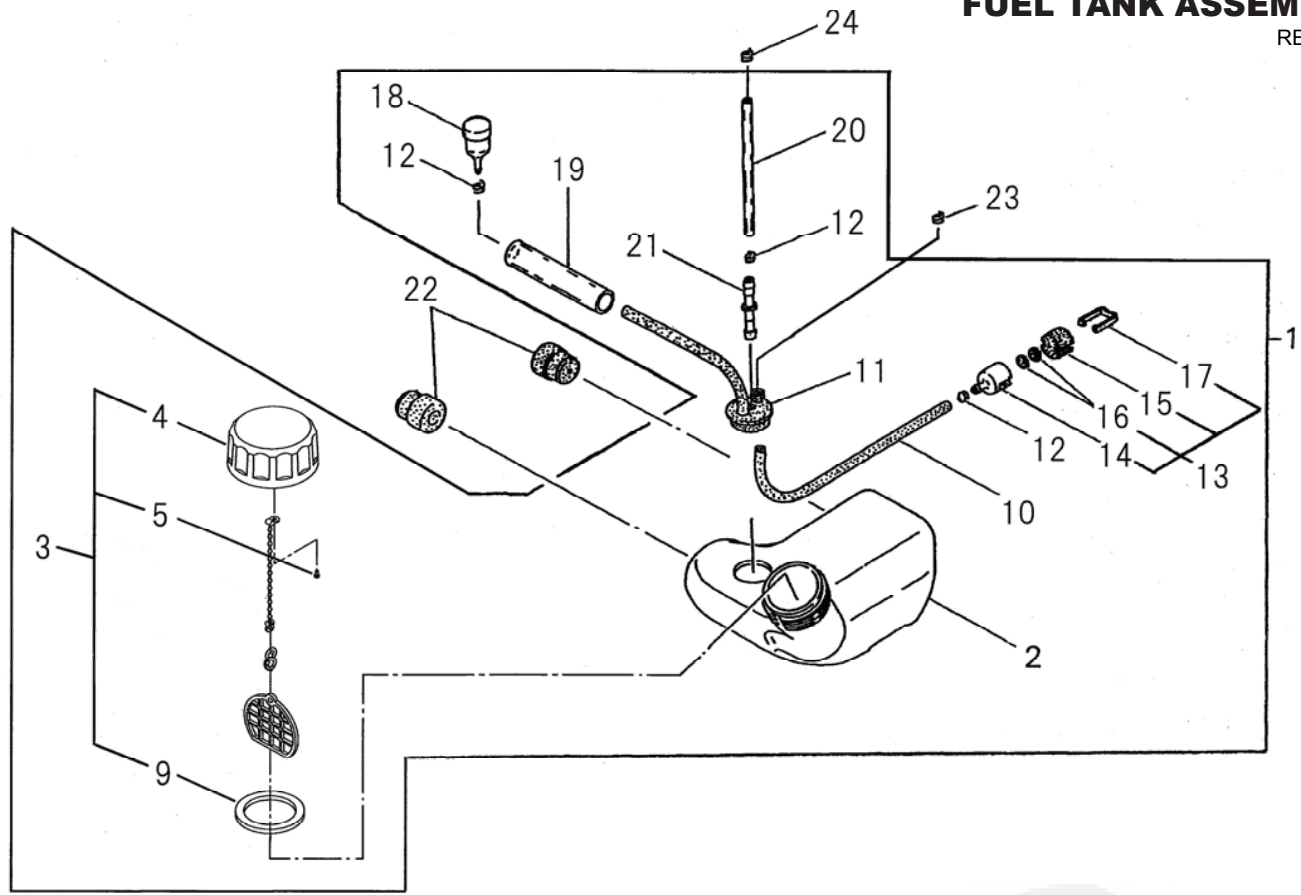


Ref. No	Part No.	Part Name	Q'ty
7-1	72934-81001	CARBURETOR ASSEMBLY	1
2	72933-81410	*PUMP BODY ASSEMBLY	1
3	70030-81380	**SCREEN	1
4	20036-81440	**NEEDLE VALVE	1
5	72933-81270	**SPRING	1
6	20016-81450	**SCREW	1
7	22100-81250	**PIN	1
8	22100-81230	**LEVER	1
9	72934-81231	*MAINJET	1
10	70097-81220	*O-RING	1
11	20016-81420	*PUMP BASE COMP	1
12	20016-81510	*PUMP COVER	1
13	20036-81670	*PRIMER PUMP	1
14	70097-81920	*DIAPHRAGM KIT	1
15	22100-81260	**DIAPHRAGM ASSEMBLY	1
18	70097-81320	**DIAPHRAGM	1
16	20016-81910	*GASKET KIT	1
17	20016-81280	**GASKET	1
19	70097-81310	**GASKET PUMP	1
20	20016-81140	*SCREW	4
21	22933-81310	*VALVE ASSEMBLY	1

22	62074-81320	*PLAG	1
23	72933-81450	*SWIVEL	1
24	20089-81185	*WASHER	1
25	20036-81195	*E-RING	1
26	20089-81130	*BRACKET	1
27	20089-81110	*CABLE ADJUSTER	1
28	20036-81120	*NUT	1
29	70097-81290	*SCREW	2
30	72933-81250	*RING GASKET	1
31	72934-82112	CLEANER BODY	1
32	22160-32210	SCREW PC	1
33	72933-82130	CHOKE PLATE	1
34	22100-82110	WASHER CARBURETOR	1
35	72933-82140	CHOKE ROD	1
36	72933-82150	BACKPLATE	1
37	11022-05450	BOLTSPW	2
38	72933-82180	GROMMET	1
39	72933-82210	FILTER	1
40	72933-82230	CLEANER COVER	1
41	70064-32130	SCREW	1
42	02439-05080	GRIP RING	1
43	72934-83110	THROTTLE CABLE	1

FUEL TANK ASSEMBLY

REV 3/05

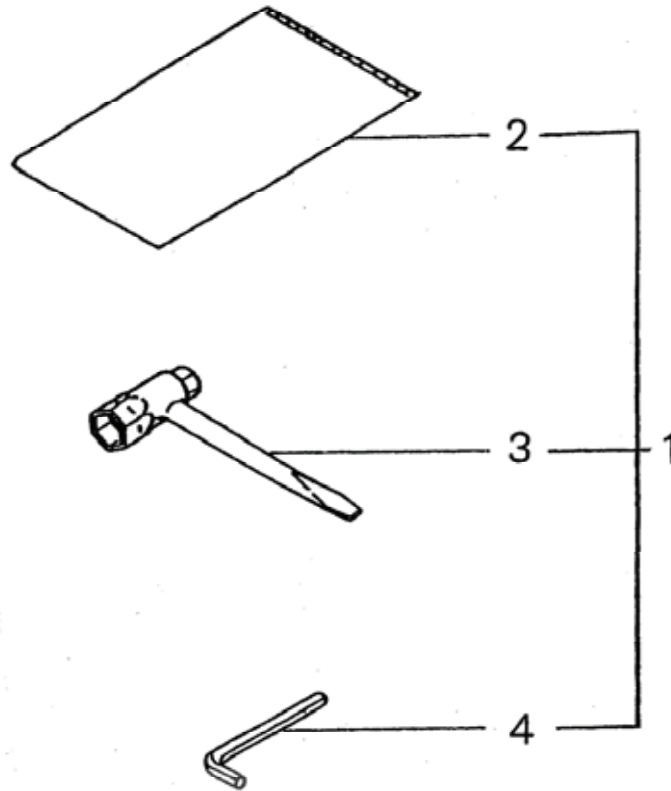


Ref. No	Part No.	Part Name	Q'ty
8-1	68204-85013	FUEL TANK ASSEMBLY	1
2	72933-85110	*FUEL TANK	1
3	68204-85020	*FUEL CAP ASSEMBLY	1
4	70168-85210	**FUEL CAP	1
5	01270-25064	**SCREW TAPPING	1
9	20000-85221	**GASKET	1
10	72933-85310	*PIPE	1
11	72933-85350	*GROMMET	1
12	20020-85540	*CLIP	3
13	70030-85401	*FUEL FILTER COMP	1
14	70030-85411	**WEIGHT FUEL	1
15	70030-85420	**FILTER A	1
16	70030-81380	**SCREEN	2
17	70030-85440	**CLIP FILTER	1
18	20035-85522	*VALVE	1
19	72933-85530	*PIPE	1
20	72933-85611	*PIPE	1
21	72933-85620	*JOINT	1
22	72933-86110	CUSHION	2
23	20020-85540	CLIP	1
24	37013-85310	CLIP	1

* Denotes item is part of an assembly ** Denotes item is part of a sub-assembly

TOOL SET

REV 3/05



Ref. No	Part No.	Part Name	Q'ty
9-1	72490-91000	TOOLSET	1
2	19639-01100	*POLYBAG	1
3	22000-91181	*PLUG WRENCH	1
4	09026-04001	*HEX A WRENCH	1