

Shindaiwa Illustrated Parts List

EB500 CE Blower

CYLINDER / MUFFLER.....	2
CRANKCASE.....	3
VOLUTE / THROTTLE LEVER.....	4
ROTOR / COIL ASSEMBLY.....	5
RECOIL STARTER.....	6
FUEL TANK.....	7
CARBURETOR / CLEANER.....	8
PISTON / CRANKSHAFT.....	9
TOOL SET.....	9

www.shindaiwa.com

11975 SW Herman Road

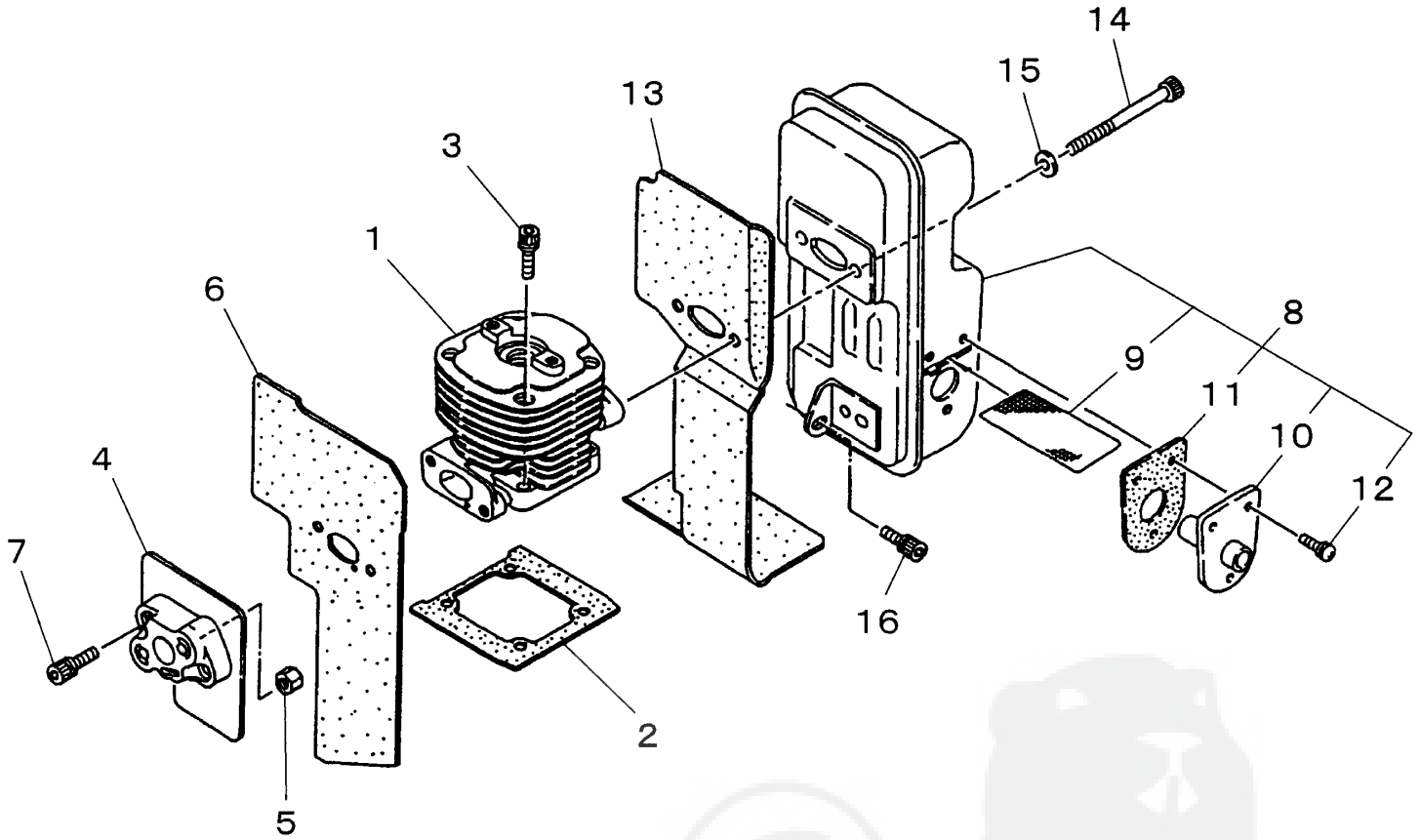
Tualatin, Oregon 97062, U.S.A.

1 + 503.692.3070 • fax 1 + 503.692.6696 •

shindaiwa

CYLINDER / MUFFLER

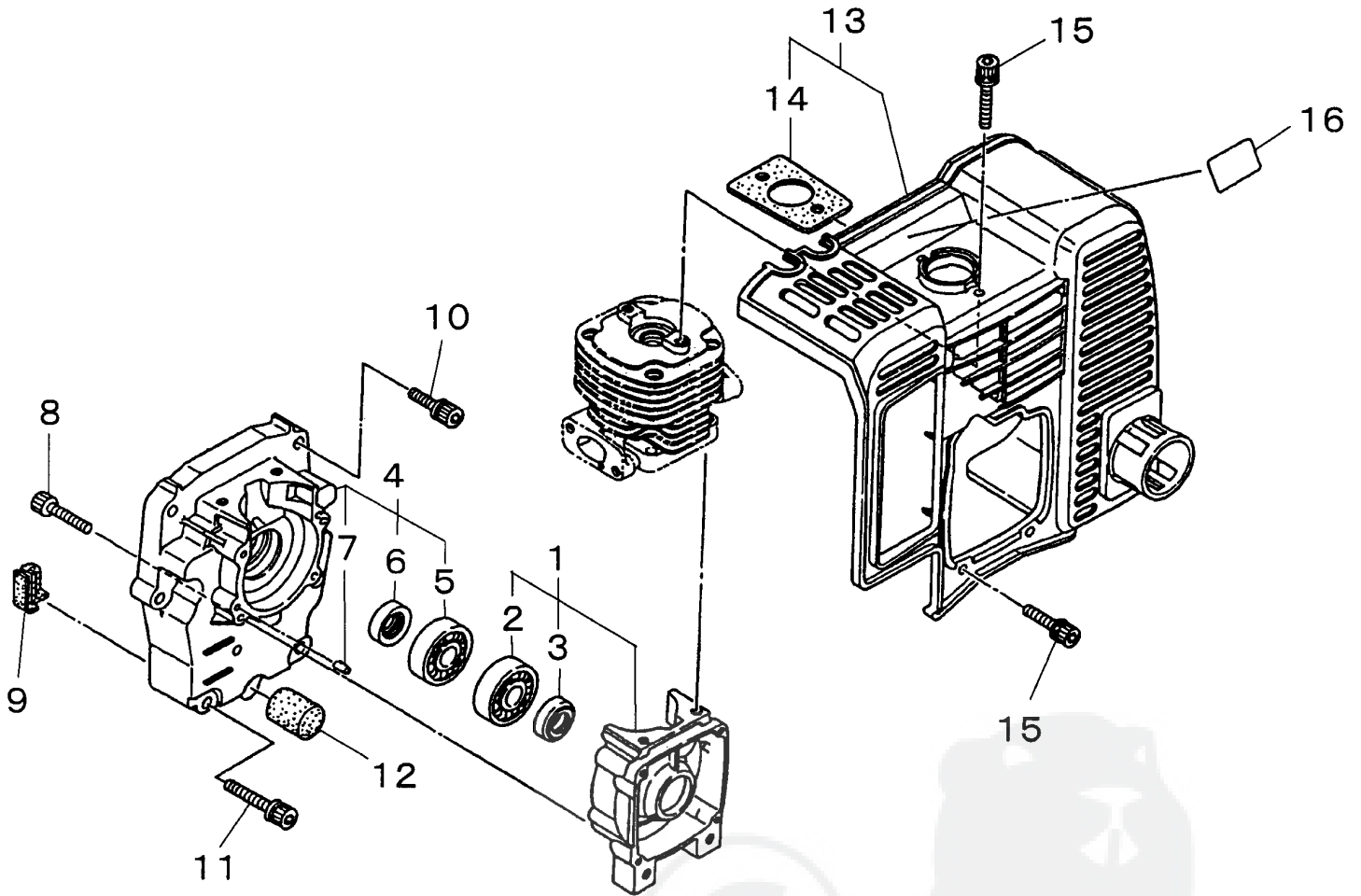
ILLUSTRATION 1 - REV 11/02



Ref. No	Part No.	Part Name	Q'ty
1-1	72935-12111	CYLINDER	1
2	72935-12120	GASKET	1
3	11060-05253	BOLT ADHESIVE	4
4	68200-12210	INSULATOR	1
5	20011-12260	NUT	2
6	72935-12221	GASKET	1
7	22160-31150	BOLT SW	2
8	68200-15010	MUFFLER ASSEMBLY	1
9	70029-15120	*ARRESTER	1
10	68200-15140	*TAILPIPE	1
11	70029-15140	*GASKET PIPE	1
12	11206-04120	*SCREW PMSPW	3
13	72935-15211	GASKET	1
14	01020-06700	BOLT	2
15	01610-06080	WASHER	2
16	11024-05120	BOLT SLPW	1

CRANKCASE

ILLUSTRATION 2 - REV 11/02

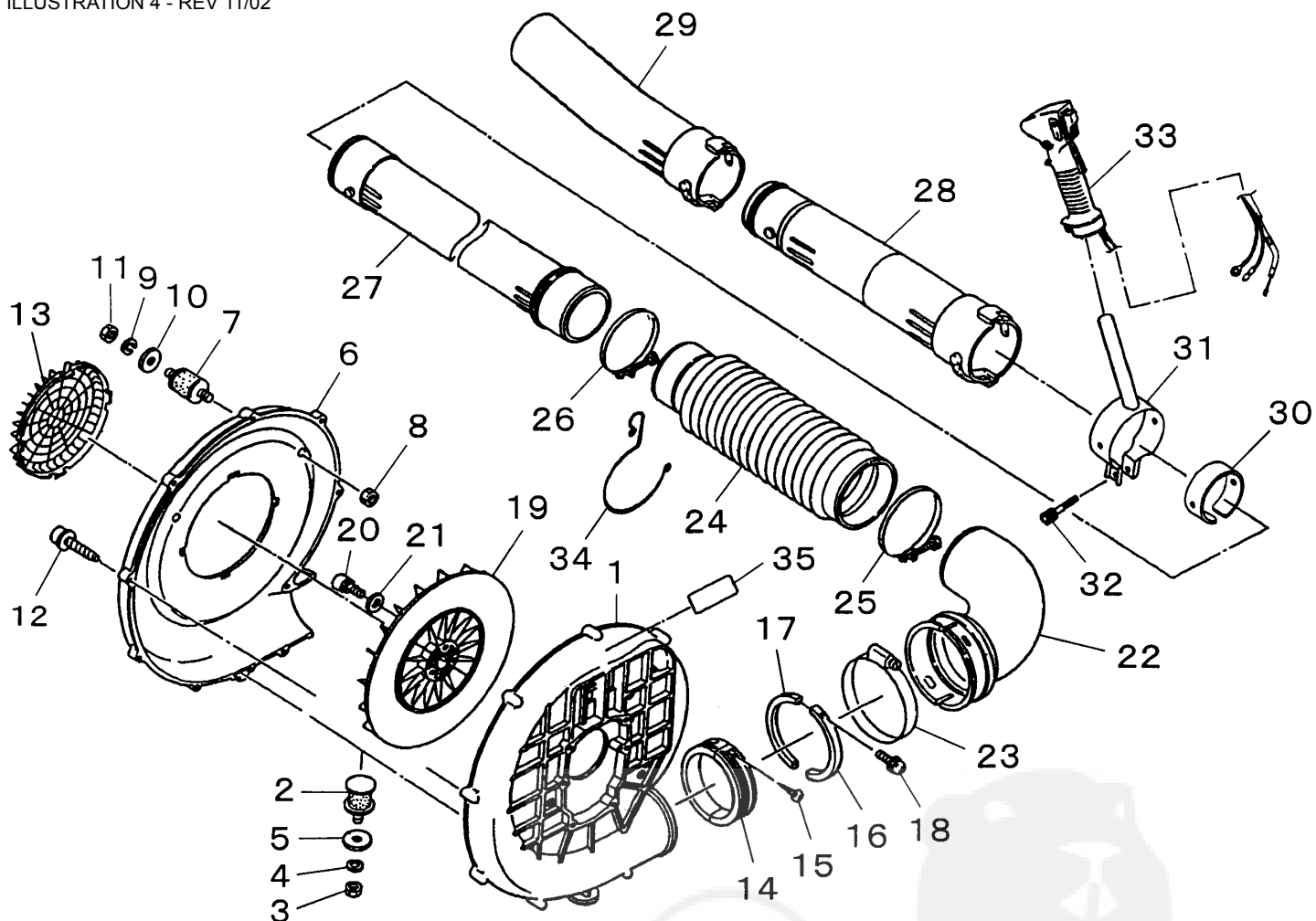


Ref. No	Part No.	Part Name	Q'ty
2-1	72935-21101	CRANKCASE S COMP	1
2	02030-06202	*BEARING	1
3	20010-21211	*OIL SEAL	1
4	72935-21200	CASE M COMP	1
5	02030-06202	*BEARING	1
6	20010-21211	*OIL SEAL	1
7	12492-50100	*ROLLER	2
8	11060-05300	BOLT ADHESIVE	4
9	72935-21220	SEAL	1
10	11060-06300	BOLT ADHESIVE	4
11	11060-06450	BOLT ADHESIVE	2
12	72935-21230	CUSHION	1
13	72935-31112	ENGINE COVER	1
14	20028-32130	GASKET COVER	1
15	11060-05162	BOLT ADHESIVE	4
16	19402-00148	LABEL CAUTION	1

* Denotes item is part of an assembly ** Denotes item is part of a sub-assembly

VOLUTE / THROTTLE LEVER

ILLUSTRATION 4 - REV 11/02

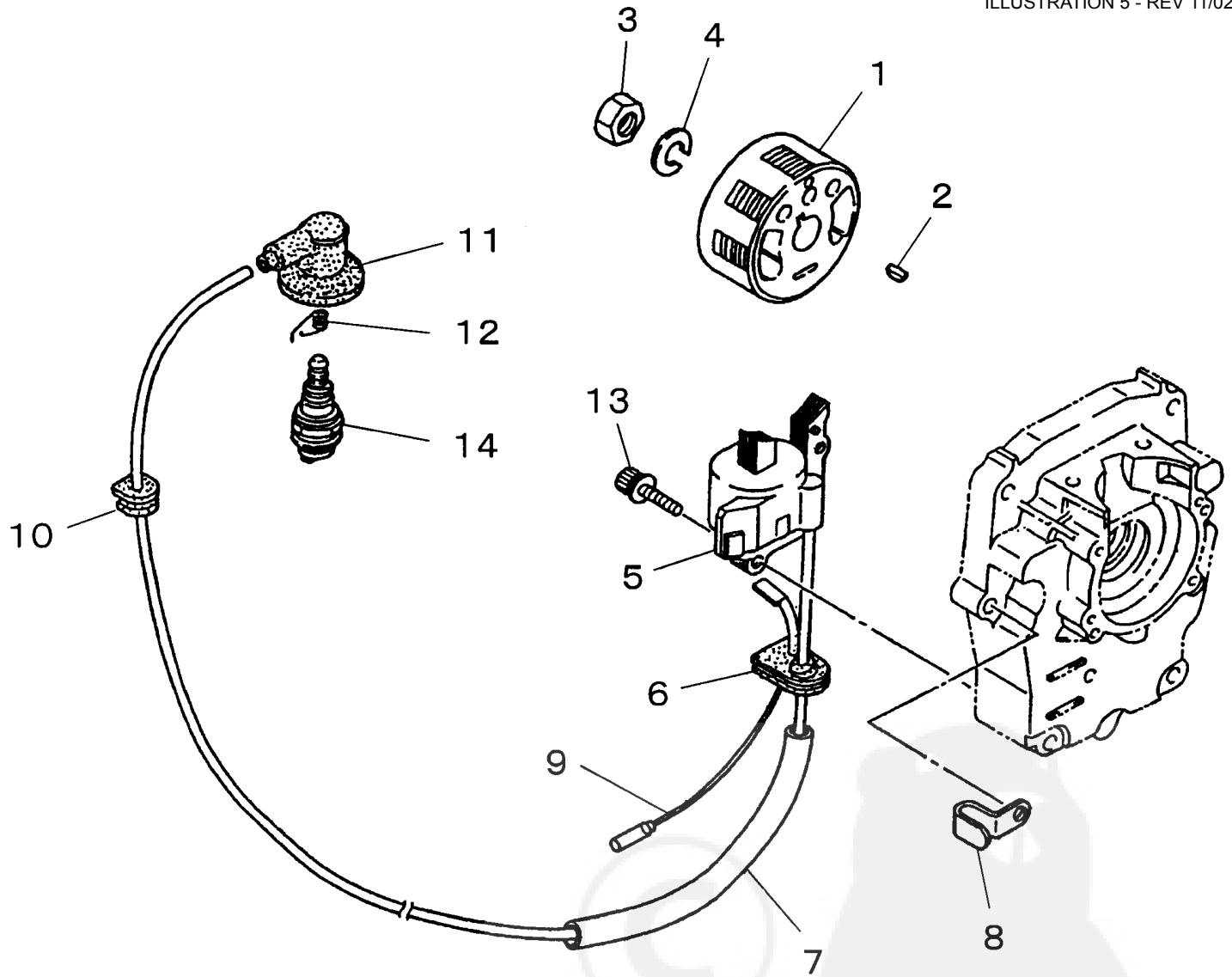


Ref. No	Part No.	Part Name	Q'ty
4-1	72935-61112	VOLUTE CASE	1
1	72935-61111	VOLUTE CASE	1
2	72935-61120	CUSHION	1
3	01500-06051	NUT	1
4	01600-06151	SPRING WASHER	1
5	15401-10016	COLLAR	1
6	72935-61212	VOLUTE COVER	1
6	72935-61211	VOLUTE COVER	1
7	72935-61220	CUSHION	2
8	01500-05041	NUT	2
9	01600-05131	SPRING WASHER	2
10	22104-31620	WASHER	2
11	01500-05041	NUT	2
12	72935-61230	BOLT TAPPING	9
13	72935-61310	INTAKE COVER	1
14	72935-61410	SLEEVE	1
15	11270-03202	SCREW TAPPING	1
16	72935-61420	RING	1
17	72935-61430	RING	1

Ref. No	Part No.	Part Name	Q'ty
18	11203-03250	SCREW PM	2
19	68200-62112	FAN	1
20	11060-06251	BOLT ADHESIVE	3
21	01612-00600	WASHER	3
22	72935-63110	BEND PIPE	1
23	72935-63120	CLAMP	1
24	72935-63210	FLEXIBLE PIPE	1
25	72935-63221	CLAMP	1
26	72935-63231	CLAMP	1
27	72935-63311	JOINT PIPE	1
28	72935-63340	PIPE	1
29	72935-63331	NOZZLE	1
30	68205-84320	CUSHION	1
31	68208-84380	HANDLE	1
32	01020-06300	BOLT	1
33	68205-84011	THROTTLE LEVER	1
34	68208-84410	CLAMP	1
35	68205-91011	LABEL NAME	1

ROTOR / COIL ASSEMBLY

ILLUSTRATION 5 - REV 11/02

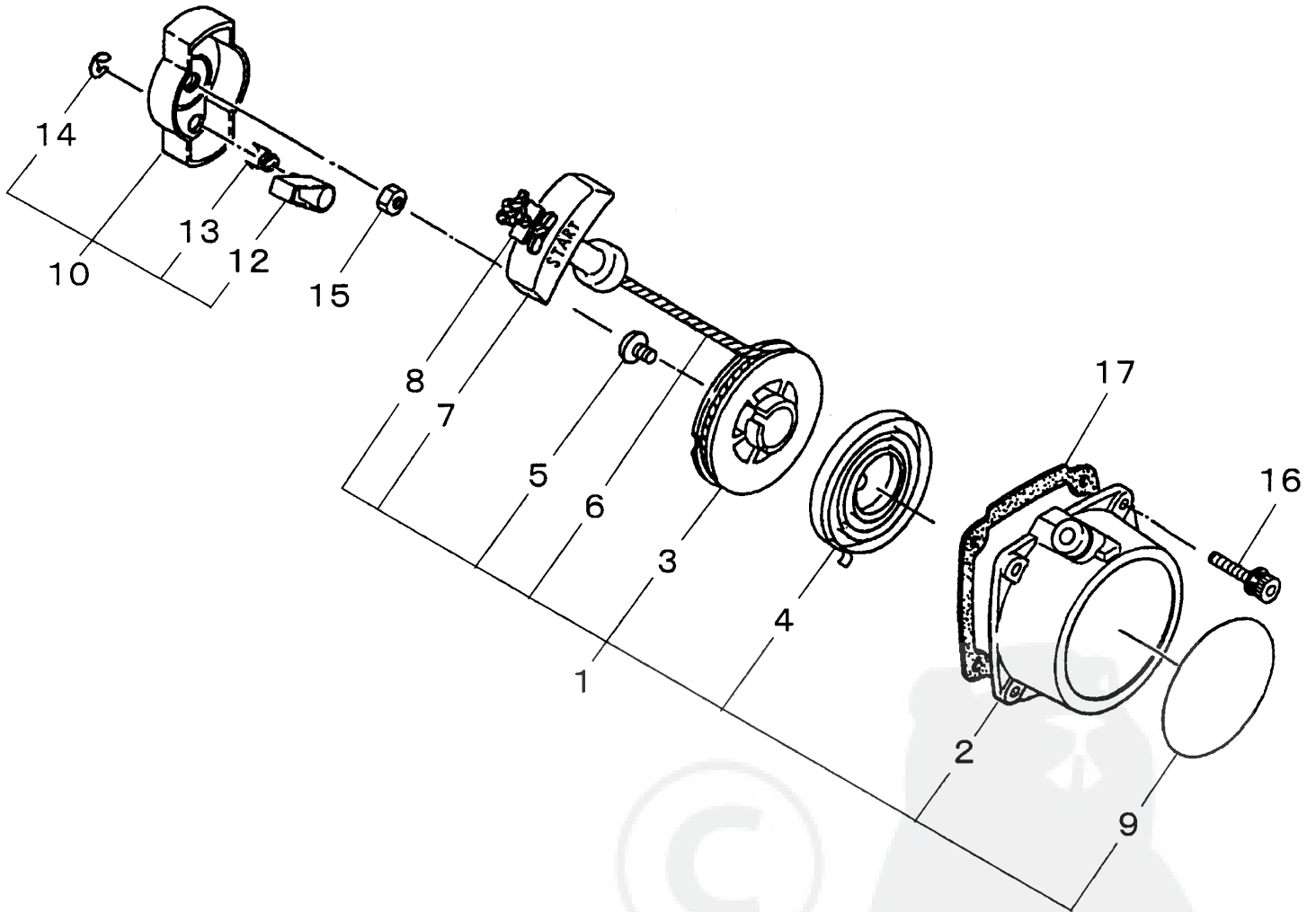


Ref. No	Part No.	Part Name	Q'ty
5-1	72935-71200	ROTOR	1
2	02403-03100	KEY	1
3	01511-10061	NUT	1
4	01600-10251	SPRING WASHER	1
5	68232-71210	COIL	1
6	70029-72110	GROMMET	1
7	20016-71660	TUBE	1
8	72935-72140	CORD CLIP	1
9	14352-01600	LEAD WIRE	1
10	20011-72110	GROMMET	1
11	20024-72220	PLUG CAP	1
12	20000-72230	SPRING SPARKPLUG	1
13	11060-05201	SCREW ADHESIVE	2
14	13000-13406	SPARKPLUG BMR6A	1

* Denotes item is part of an assembly ** Denotes item is part of a sub-assembly

RECOIL STARTER

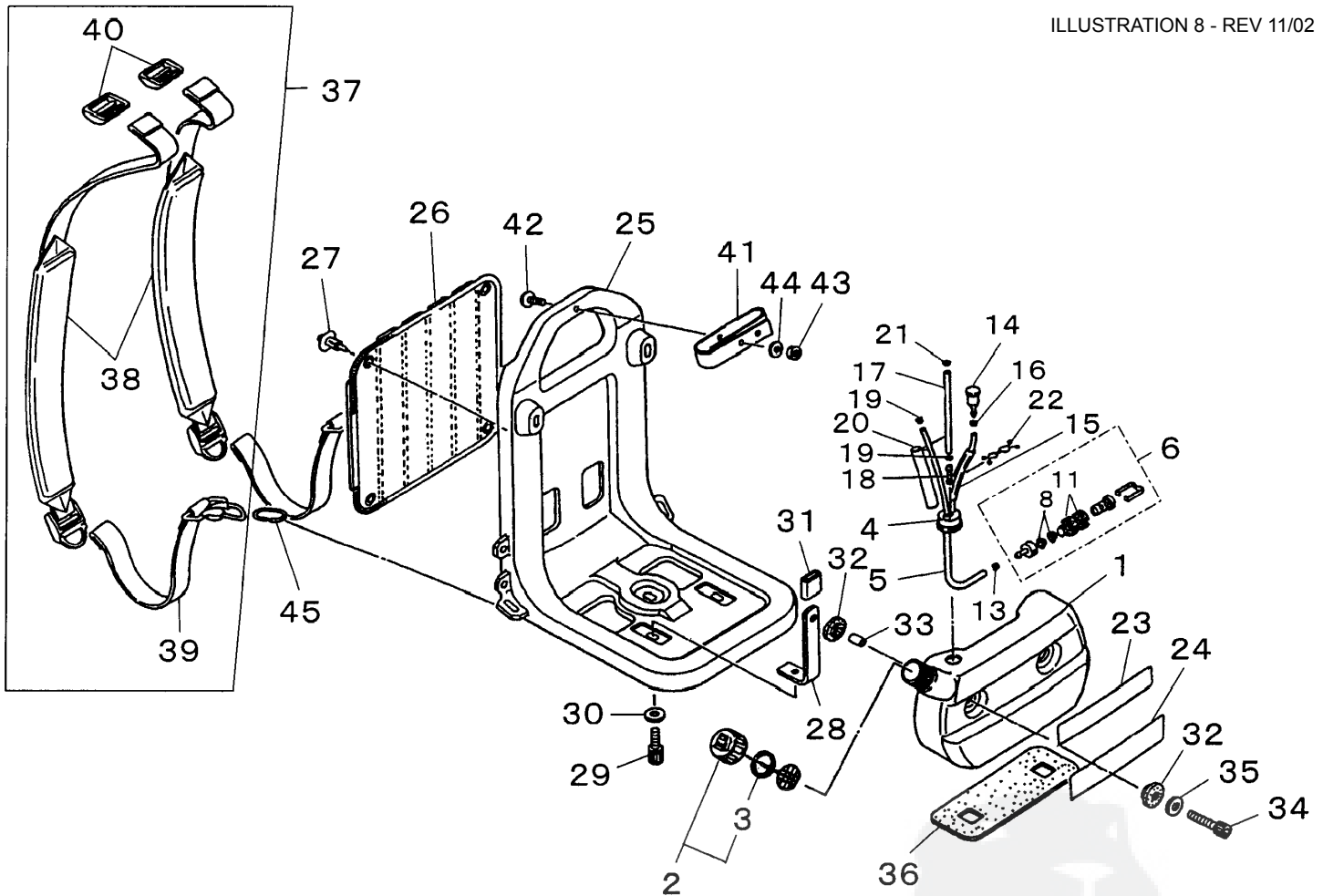
ILLUSTRATION 6 - REV 11/02



Ref. No	Part No.	Part Name	Q'ty
6-1	72935-75101	RECOIL STARTER SUB ASSEMBLY	1
2	72935-75111	*STARTER CASE	1
3	70131-75120	*REEL	1
4	20024-75130	*RECOIL SPRING	1
5	72935-75170	*SCREW TAPPING	1
6	20020-75180	*ROPE	1
7	20010-75190	*STARTER KNOB	1
8	20010-75210	*STOPPER	1
9	19420-00027	*LABEL TRADE	1
10	72935-75200	STARTER PULLEY ASSEMBLY	1
12	20024-75220	*RATCHET	1
13	72935-75230	*RETURN SPRING	1
14	20024-75240	*E-RING	1
15	72935-75310	NUT	1
16	11060-04160	BOLT ADHESIVE	4
17	20020-76110	GASKET STARTER	1

FUEL TANK

ILLUSTRATION 8 - REV 11/02



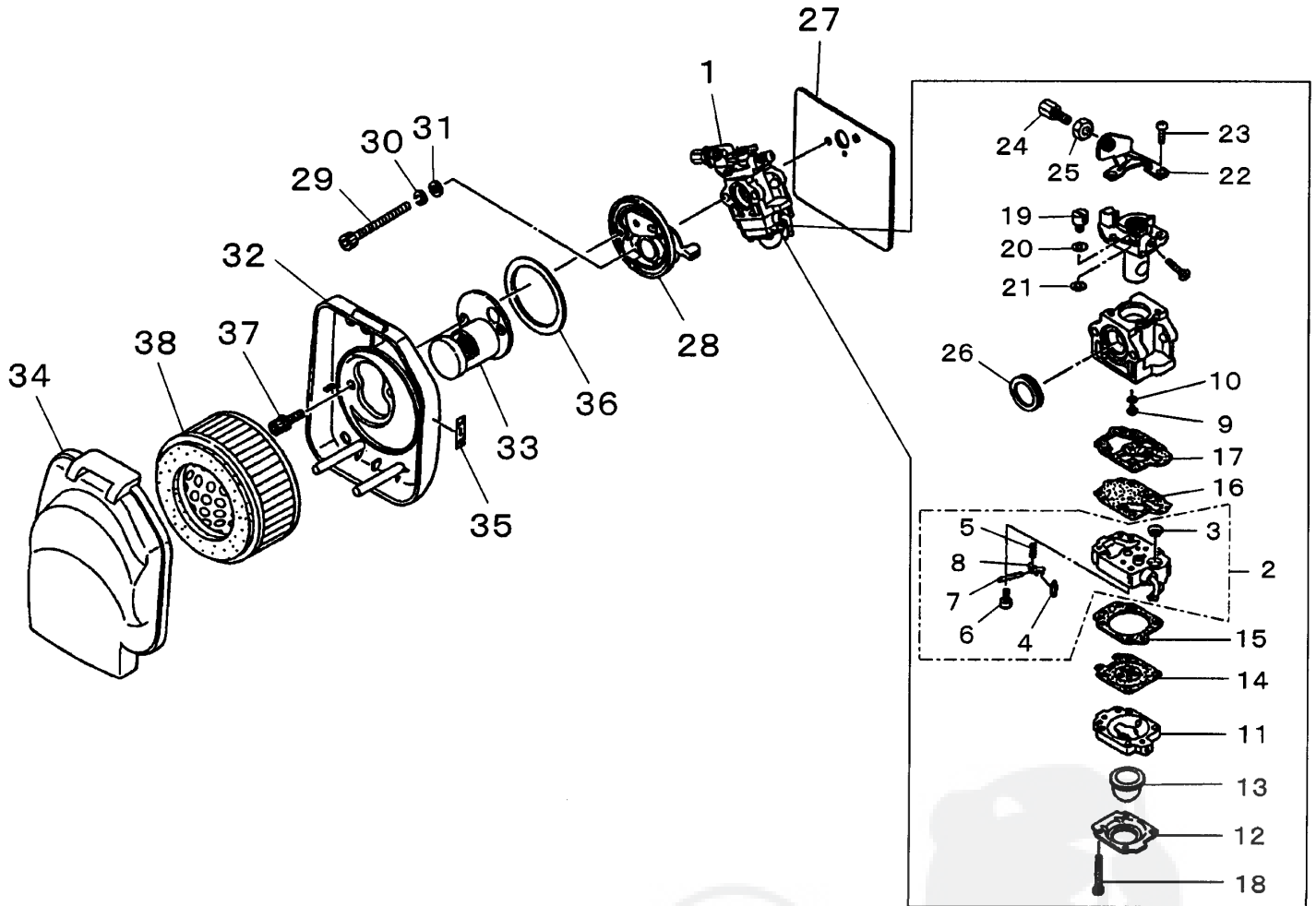
Ref. No	Part No.	Part Name	Q'ty
8- 1	72935-85111	FUEL TANK	1
2	68204-85020	FUEL CAP ASSEMBLY	1
3	20000-85221	*GASKET	1
4	72933-85350	GROMMET	1
5	68206-85340	PIPE	1
6	22115-85401	FUEL FILTER SUB ASSEMBLY	1
8	22118-85460	*SCREEN	2
11	22128-85421	*FILTER	2
13	20020-85540	CLIP	1
14	20035-85522	VALVE	1
15	72935-85530	PIPE	1
16	20020-85540	CLIP	1
17	72935-85512	PIPE	1
18	72933-85620	JOINT	1
19	20020-85540	CLIP	2
20	72935-85540	PIPE	1
21	20021-85540	CLIP	1
22	72935-85550	CLIP	1
23	68200-91032	LABEL TRADE	1
24	19420-00056	LABEL TRADE	1
25	72935-86111	FRAME	1

Ref. No	Part No.	Part Name	Q'ty
26	72935-86120	PAD	1
27	72935-86130	CLIP	4
28	72935-86411	BRACKET	2
29	11020-06200	BOLT SW	2
30	15401-10016	COLLAR	2
31	72935-86440	CUSHION	2
32	72935-86421	CUSHION	4
33	17901-06150	COLLAR	2
34	11020-06250	BOLT SW	2
35	15401-20004	COLLAR	2
36	72935-86431	CUSHION	1
37	72935-87100	BAND ASSEMBLY	2
38	72935-87111	*BAND	2
39	72935-87120	*BAND	2
40	72451-17230	*BUCKLE	2
41	72935-87210	BAND	1
42	01215-06300	SCREW	1
43	22011-97840	LOCKNUT	1
44	15401-10016	COLLAR	1
45	72935-87310	RING	2

* Denotes item is part of an assembly ** Denotes item is part of a sub-assembly

CARBURETOR / CLEANER

ILLUSTRATION 7 - REV 11/02

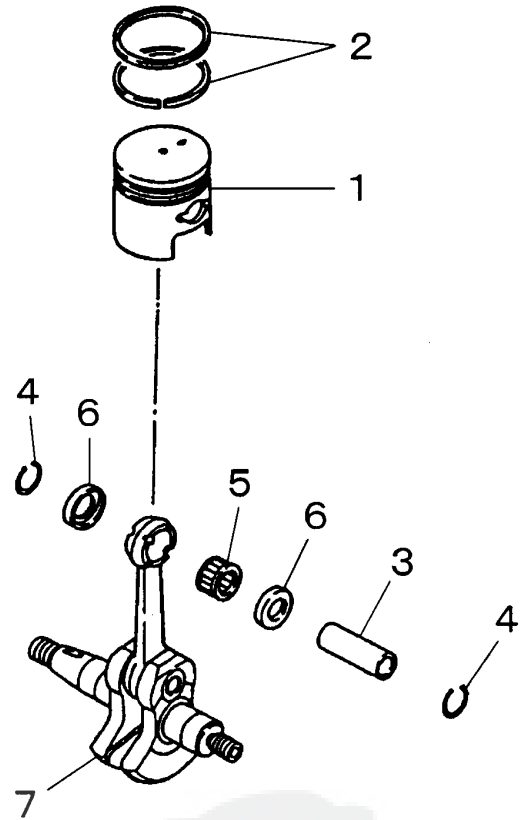


Ref. No	Part No.	Part Name	Q'ty
7-1	68205-81010	CARBURETOR ASSEMBLY	1
2	72933-81411	*PUMP BODY ASSEMBLY	1
3	70030-81380	**SCREEN	1
4	20036-81440	**NEEDLE VALVE	1
5	72933-81270	**SPRING	1
6	20016-81450	**SCREW	1
7	22100-81250	**PIN	1
8	22100-81230	**LEVER	1
9	72935-81250	*MAIN JET	1
10	70097-81220	*O-RING	1
11	20016-81420	*PUMP BASE COMP	1
12	20016-81510	*PUMP COVER	1
13	20036-81670	*PRIMER PUMP	1
14	22100-81260	*DIAPHRAGM ASSEMBLY	1
15	20016-81280	*GASKET	1
16	70097-81320	*DIAPHRAGM	1
17	70097-81310	*GASKET PUMP	1
18	20016-81140	*SCREW	4
19	72933-81450	*SWIVEL	1

Ref. No	Part No.	Part Name	Q'ty
20	20089-81185	*WASHER	1
21	20036-81195	*E-RING	1
22	20089-81130	*BRACKET	1
23	70097-81290	*SCREW	2
24	20089-81110	*CABLE ADJUSTER	1
25	20036-81120	NUT	1
26	72933-81250	RING GASKET	1
27	72935-81711	GASKET CABURETOR	2
28	72935-81501	CHOKE COMP	1
29	01020-05600	BOLT	2
30	01600-05131	SPRING WASHER	2
31	01610-05080	WASHER	2
32	72935-82111	CLEANER BODY	1
33	72935-82130	PIPE	1
34	72935-82120	CLEANER COVER	1
35	19404-00008	LABEL CHOKE	1
36	72935-82210	GASKET	1
37	11024-04140	BOLT SPW	2
38	72935-82310	FILTER	1

PISTON / CRANKSHAFT

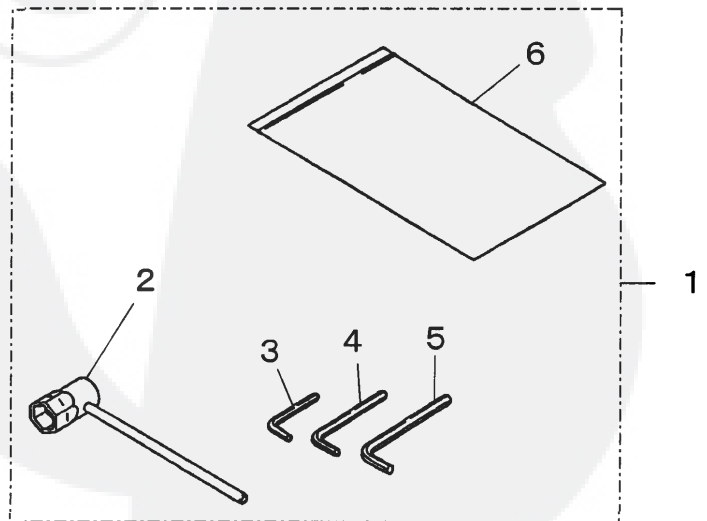
ILLUSTRATION 3 - REV 11/02



Ref. No	Part No.	Part Name	Q'ty
3-1	72935-41110	PISTON	1
2	72935-41210	PISTON RING	2
3	20021-41310	PISTON PIN	1
4	22150-41230	SNAP RING	2
5	20021-41330	BEARING SE	1
6	20021-41341	THRUST WASHER	2
7	72935-42000	CRANKSHAFT ASSEMBLY	1

TOOL SET

ILLUSTRATION 9 - REV 11/02



Ref. No	Part No.	Part Name	Q'ty
9-1	72935-91000	TOOLSET	1
2	22900-91180	*PLUG WRENCH	1
3	09026-03001	*HEX A WRENCH	1
4	09026-04001	*HEX A WRENCH	1
5	09026-05001	*HEX A WRENCH	1
6	19639-01100	*POLYBAG	1

* Denotes item is part of an assembly ** Denotes item is part of a sub-assembly



shindaiwa

www.shindaiwa.com

11975 SW Herman Road, Tualatin, Oregon 97062, U.S.A.

1 + 503.692.3070 • fax 1 + 503.692.6696 •

Item #xxxx Effective 11/02