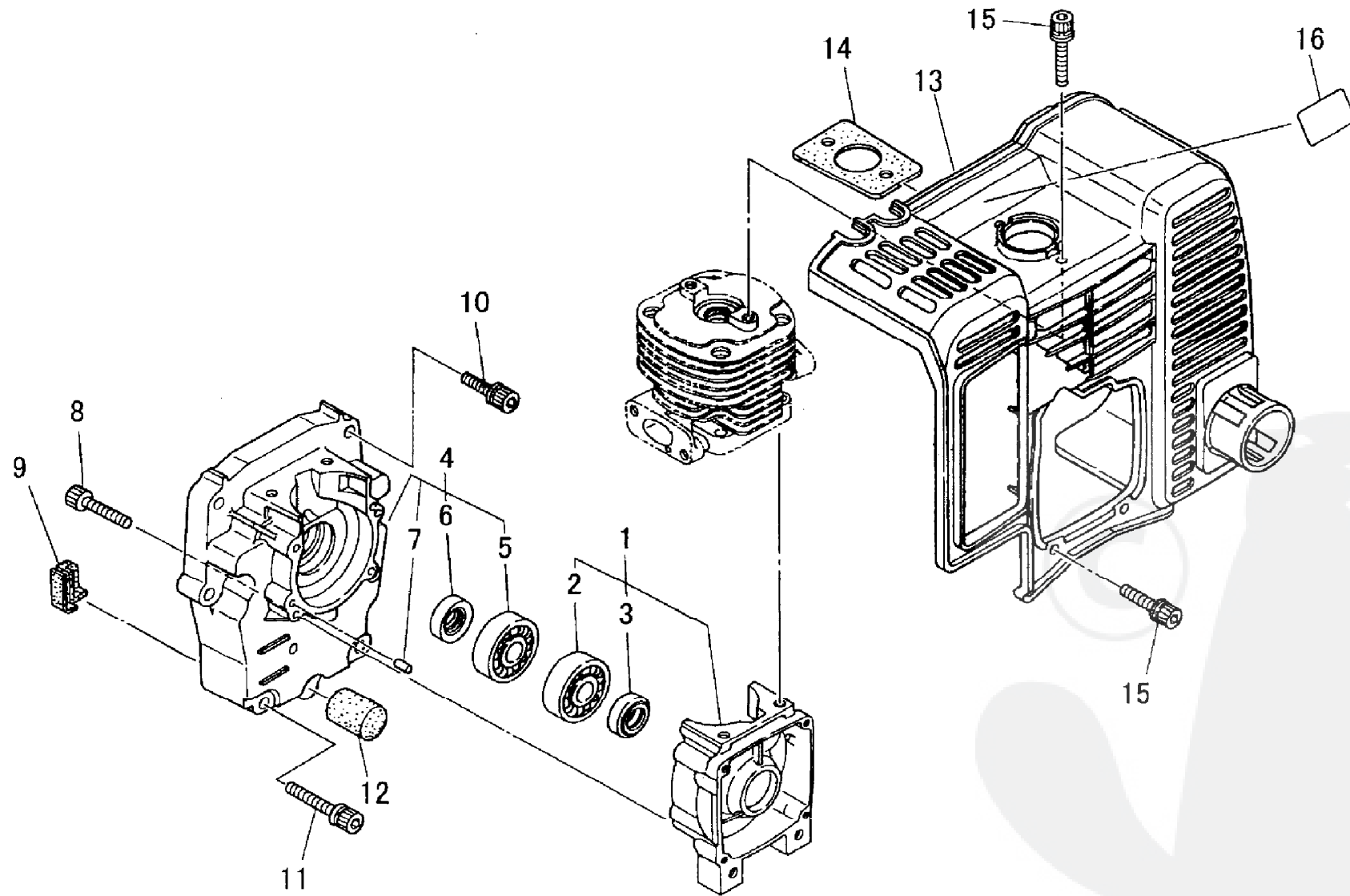


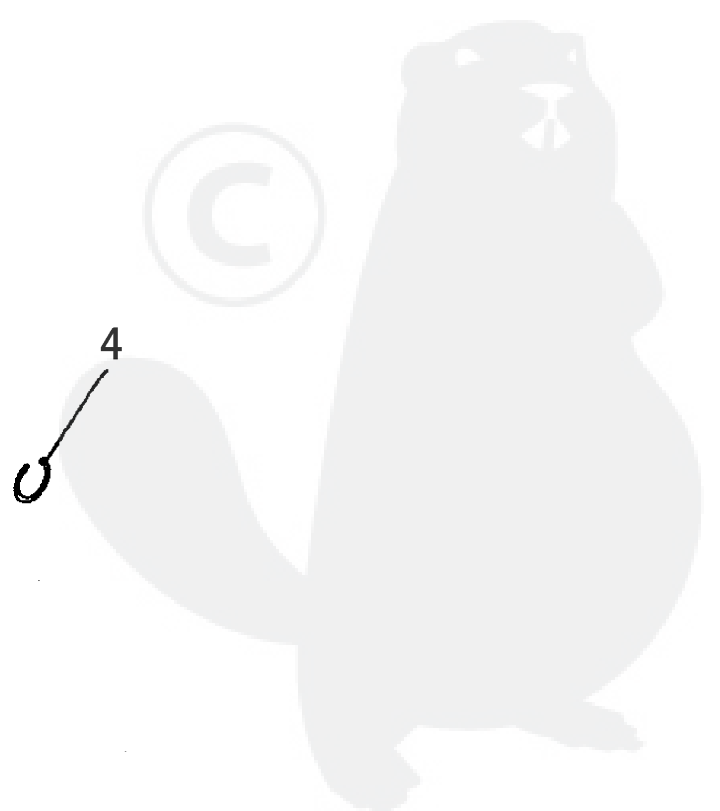
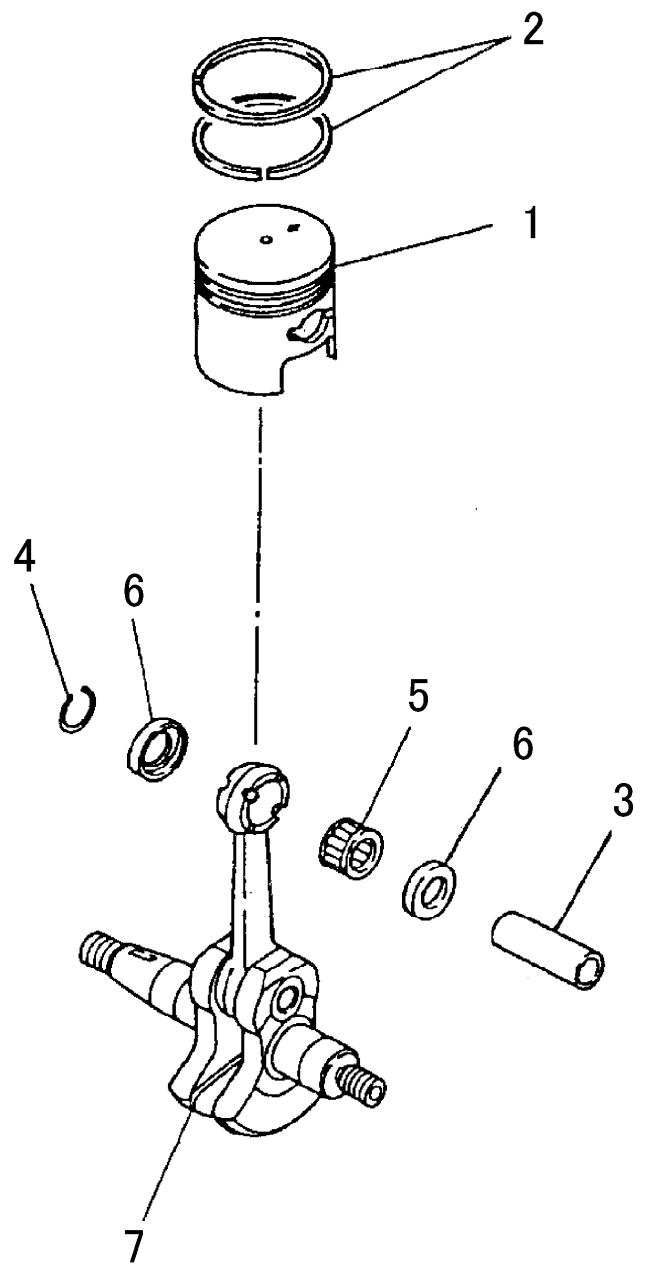
Ref. No	Part No.	Part Name	Q`ty
1- 1	72935-12111	CYLINDER	1
2	72935-12120	GASKET	1
3	11060-05253	BOLTADHESIVE	4
4	68200-12210	INSULATOR	1
5	20011-12260	NUT	2
6	72935-12221	GASKET	1
7	11060-05250	BOLTADHESIVE	2
8	68200-15010	MUFFLERASSY	1
9	70029-15120	*ARESTER	1
10	68200-15140	*TAILPIPE	1
11	70029-15140	*GASKETPIPE	1
12	11206-04120	*SCREWPMSPW	3
13	72935-15211	GASKET	1
14	01020-06700	BOLT	2
15	01610-06080	WASHER	2
16	11024-05120	BOLTSLPW	1



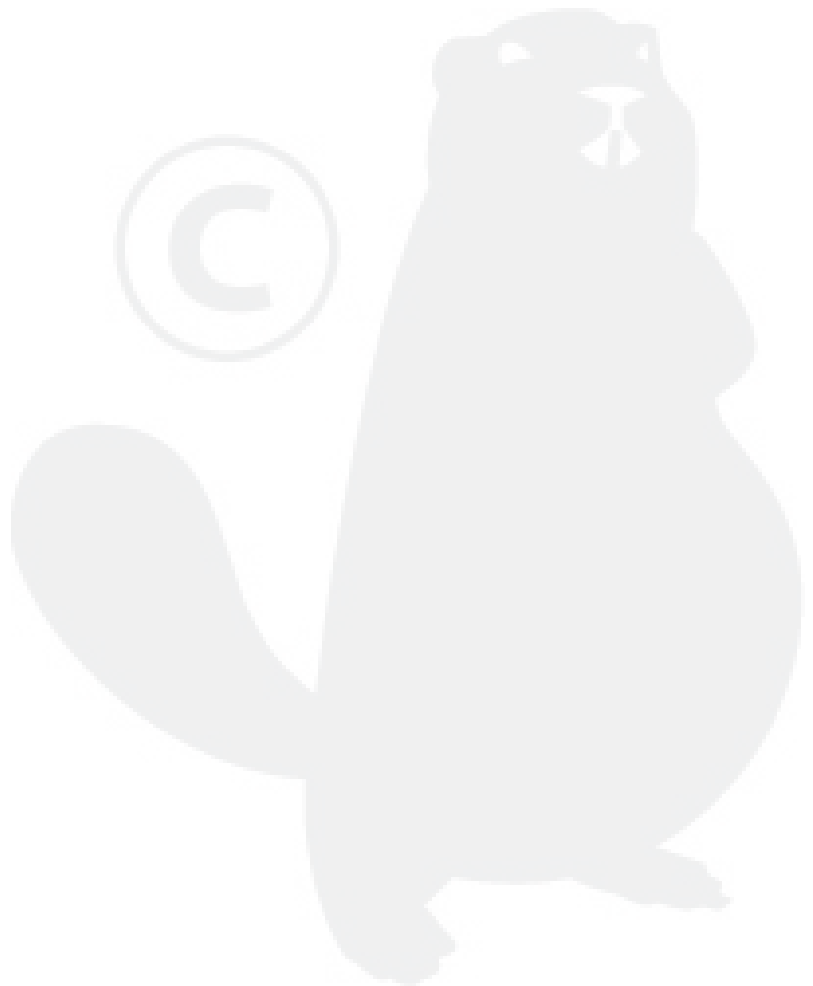


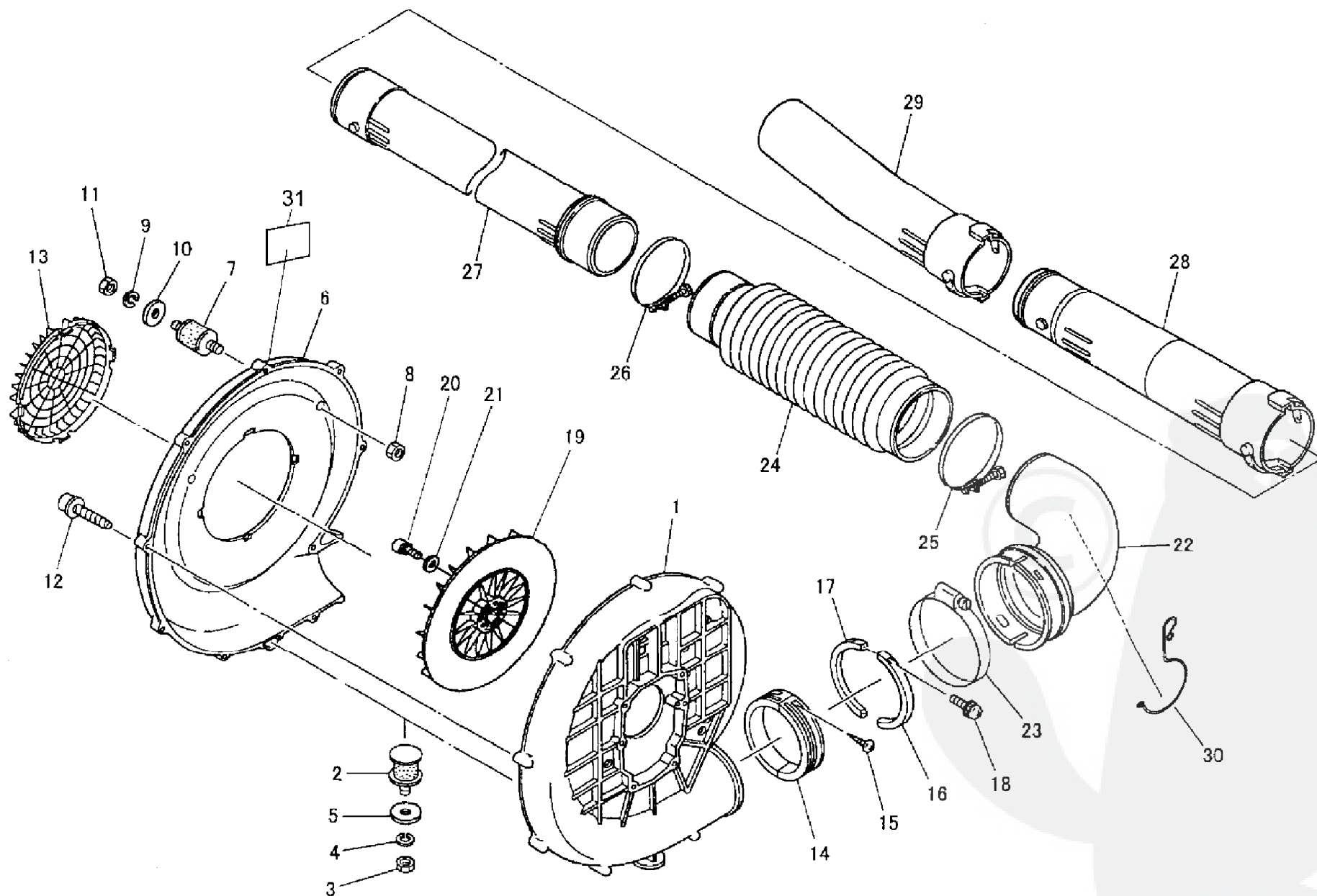
2-1	72935-21101	CRANKCASESCOMP	1
2	12900-62020	*BEARING	1
3	20010-21211	*OILSEAL	1
4	72935-21200	CASEMCOMP	1
5	12900-62020	*BEARING	1
6	20010-21211	*OILSEAL	1
7	12492-50100	*DOWELPIN	2
8	11060-05300	BOLTADHESIVE	4
9	72935-21220	SEAL	1
10	11060-06300	BOLTADHESIVE	4
11	11060-06450	BOLTADHESIVE	2
12	72935-21230	CUSHION	1
13	72935-31112	ENGINECOVER	1
14	20028-32131	GASKETCOVER	1
15	11060-05162	BOLTADHESIVE	4
16	19402-00148	LABELCAUTION	1



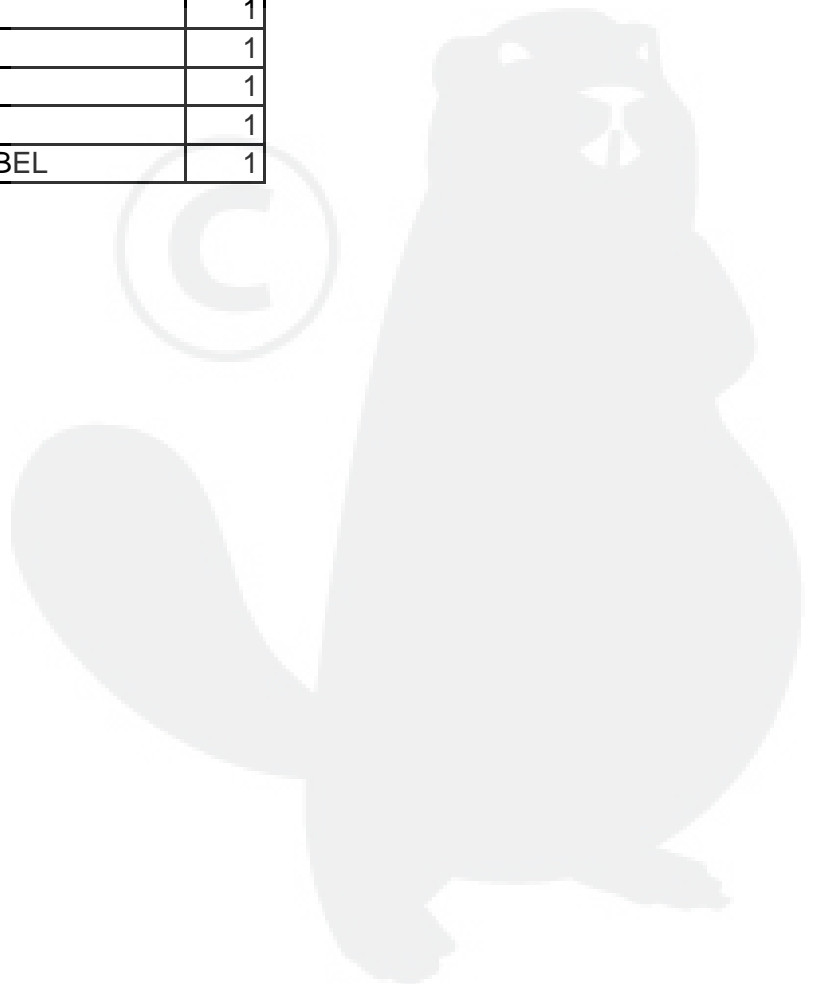
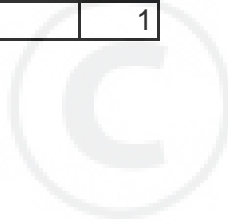


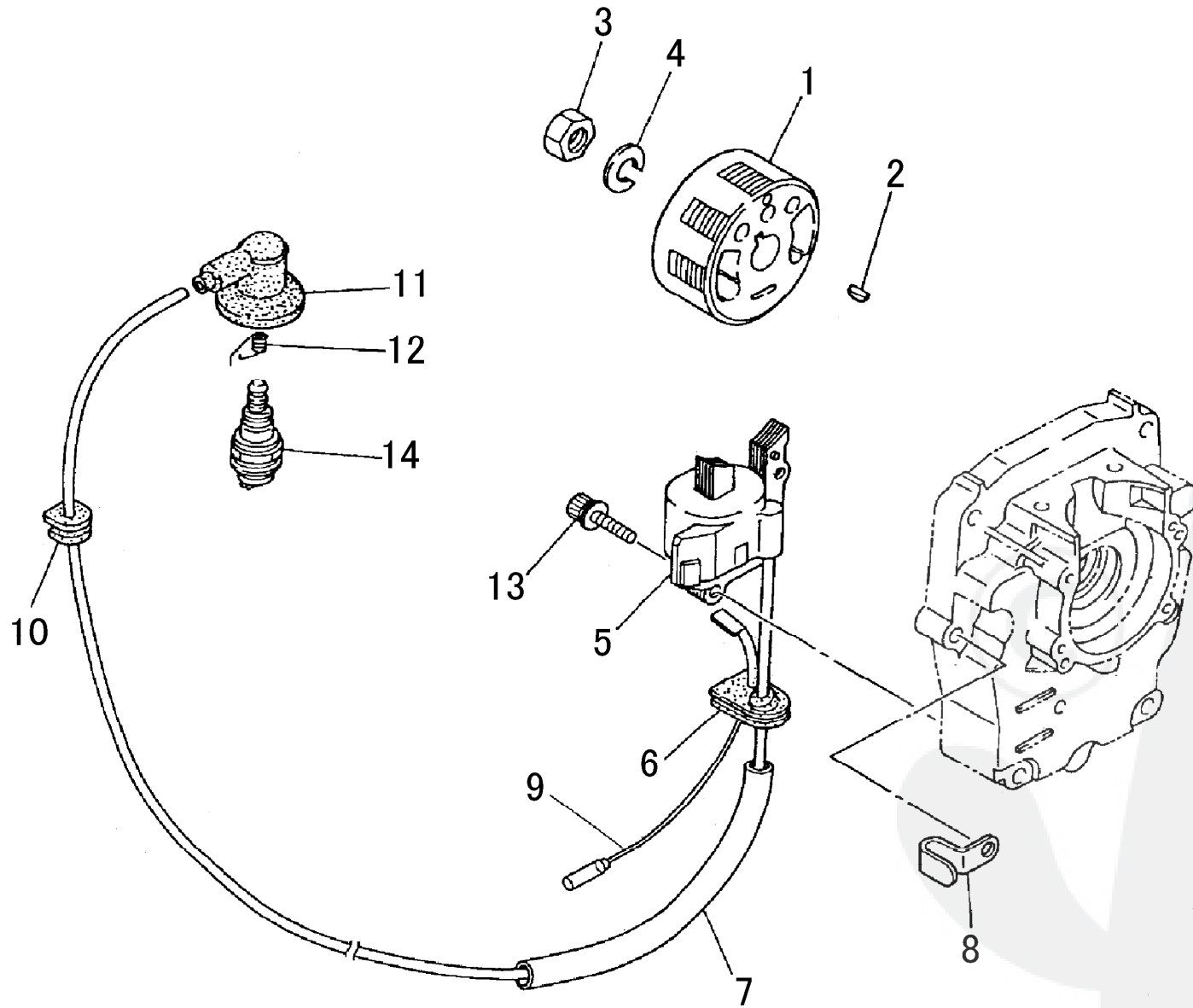
3- 1	72935-41110	PISTON	1
2	72935-41210	PISTONRING	2
3	20021-41310	PISTONPIN	1
4	22150-41230	SNAPRING	2
5	20021-41330	BEARINGSE	1
6	20021-41341	THRUSTWASHER	2
7	72935-42000	CRANKSHAFTASSY	1





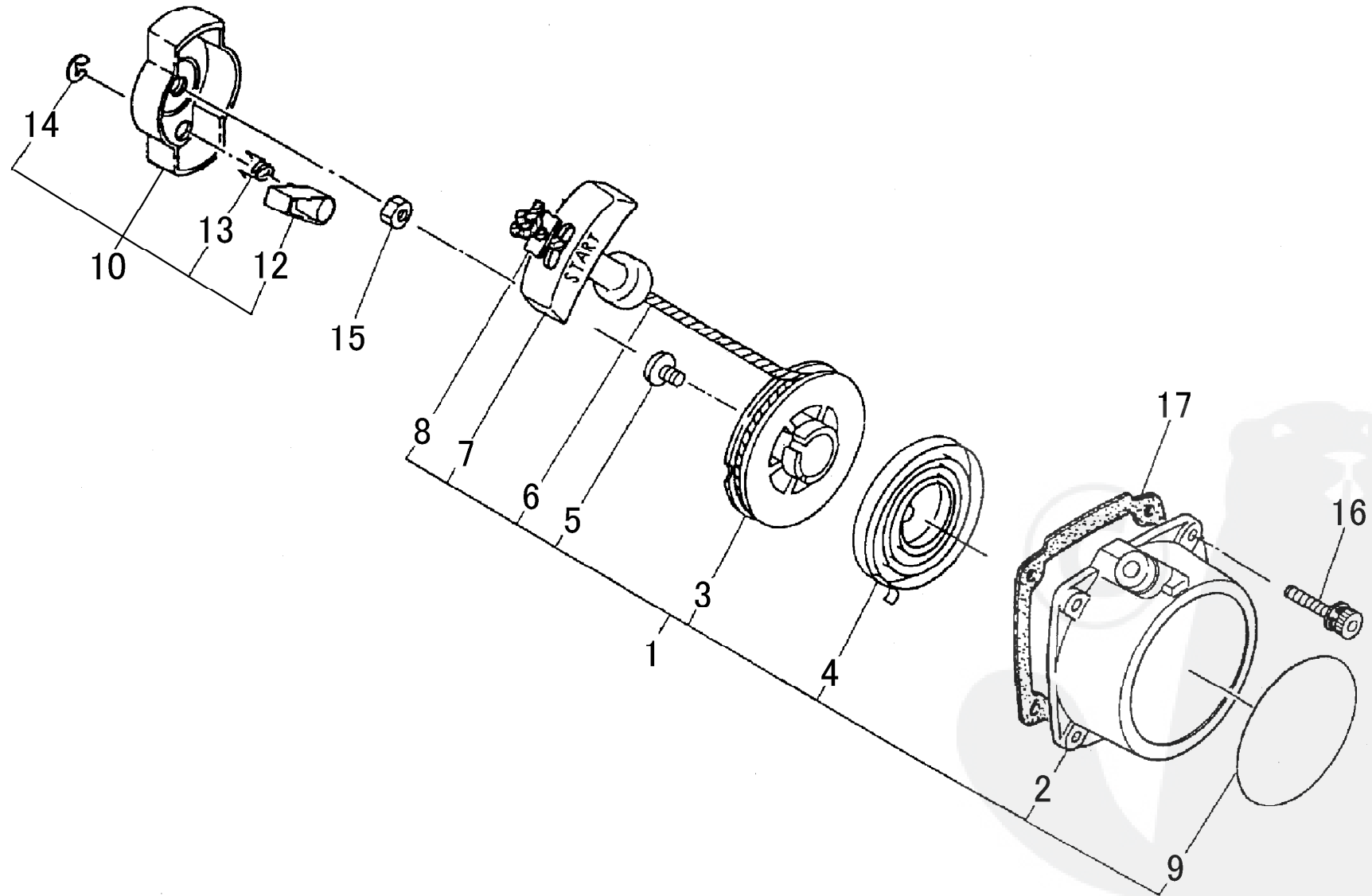
4- 1	72935-61112	VOLUTECASE	1
2	72935-61120	CUSHION	1
3	01500-06051	NUT	1
4	01600-06151	SPRINGWASHER	1
5	15401-10016	COLLAR	1
6	72935-61212	VOLUTECOVER	1
7	72935-61220	CUSHION	2
8	01500-05041	NUT	2
9	01600-05131	SPRINGWASHER	2
10	22104-31620	WASHER	2
11	01500-05041	NUT	2
12	72935-61230	BOLTTAPPING	9
13	72935-61310	INTAKECOVER	1
14	72935-61410	SLEEVE	1
15	11270-03202	SCREWTAPPING	1
16	72935-61420	RING	1
17	72935-61430	RING	1
18	11203-03250	SCREWPM	2
19	68200-62112	FAN	1
20	11060-06251	BOLTADHESIVE	3
21	01612-00600	WASHER	3
22	72935-63110	BENDPIPE	1
23	72935-63120	CLAMP	1
24	72935-63210	FLEXIBLEPIPE	1
25	72935-63221	CLAMP	1
26	72935-63231	CLAMP	1
27	72935-63311	JOINTPIPE	1
28	72935-63340	PIPE	1
29	72935-63331	NOZZLE	1
30	68208-84410	CLAMP	1
31	19404-00033	LABELDECIBEL	1



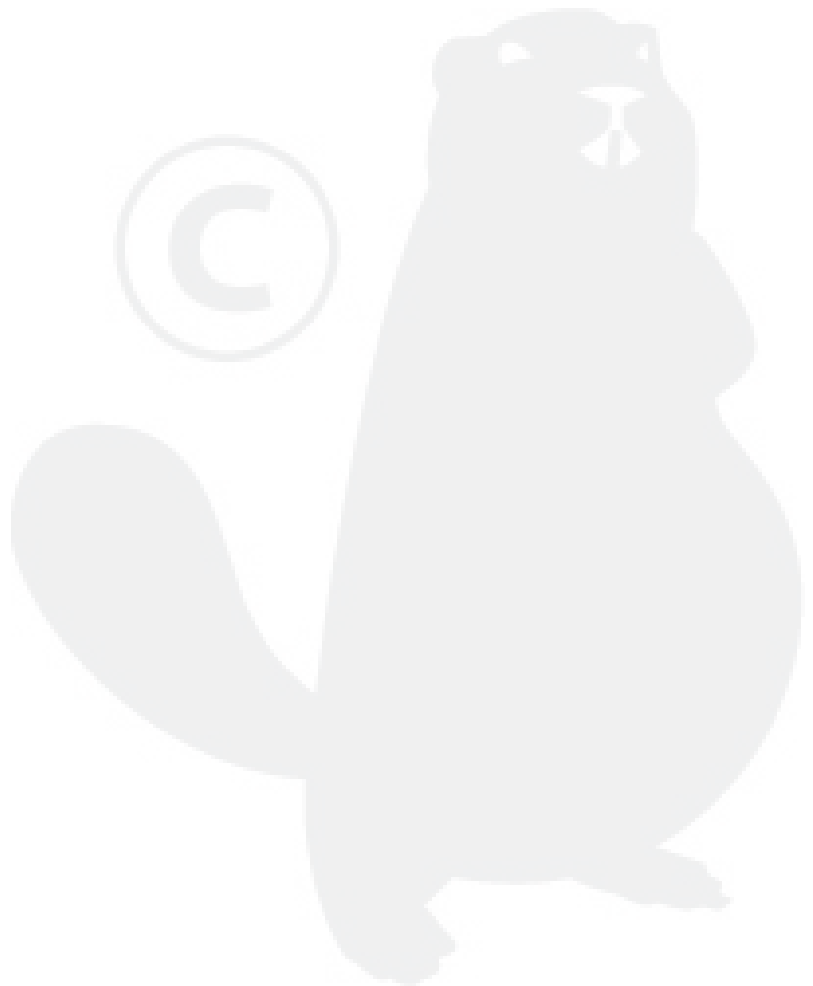


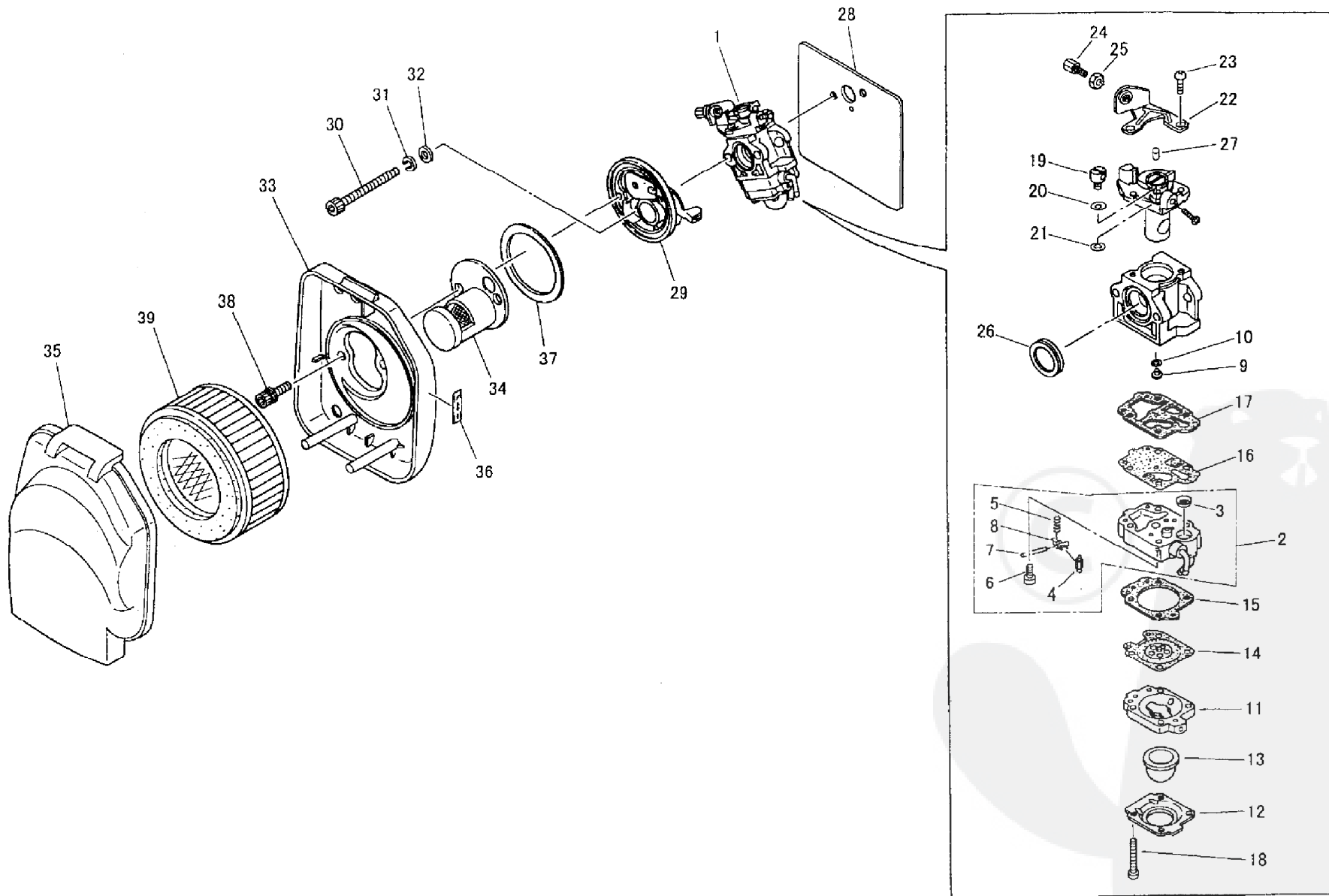
5- 1	72935-71200	ROTOR	1
2	02403-03100	KEY	1
3	01511-10061	NUT	1
4	01600-10251	SPRINGWASHER	1
5	68232-71210	COIL	1
6	70029-72110	GROMMET	1
7	20016-71660	TUBE	1
8	72935-72140	CORDCLIP	1
9	14352-01600	LEADWIRE	1
10	20011-72110	GROMMET	1
11	20024-72220	PLUGCAP	1
12	20000-72230	SPRINGSPARKPLUG	1
13	11060-05201	SCREWADHESIVE	2
14	13000-13406	SPARKPLUGBMR6A	1



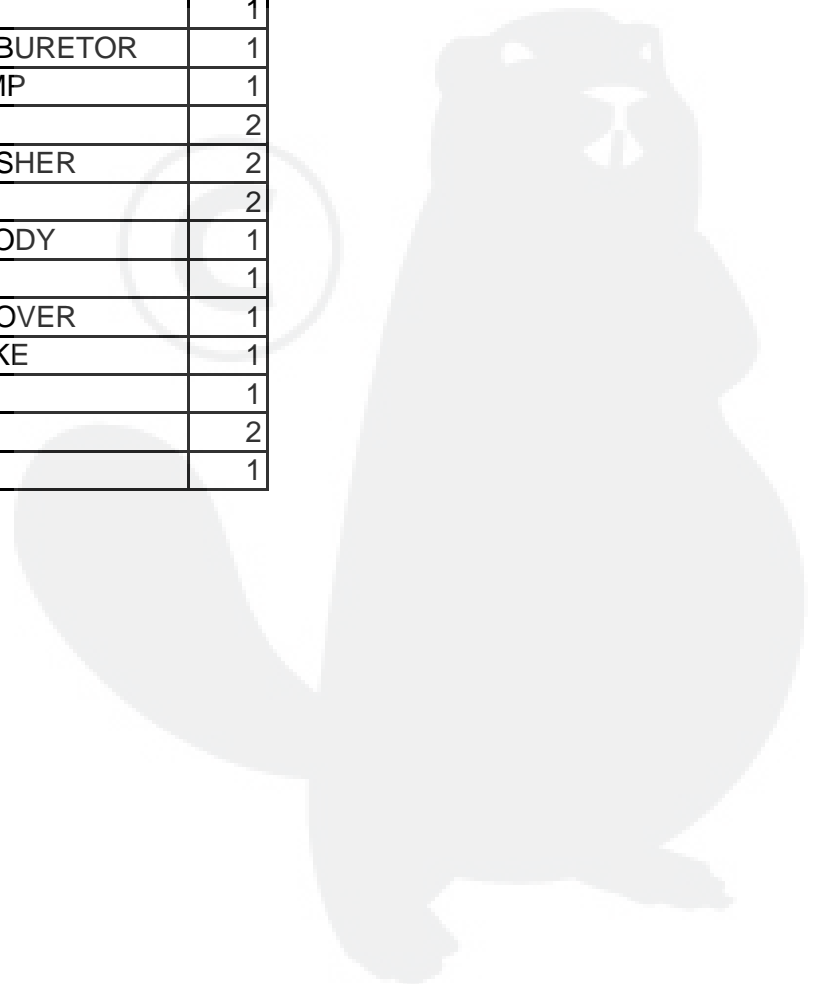


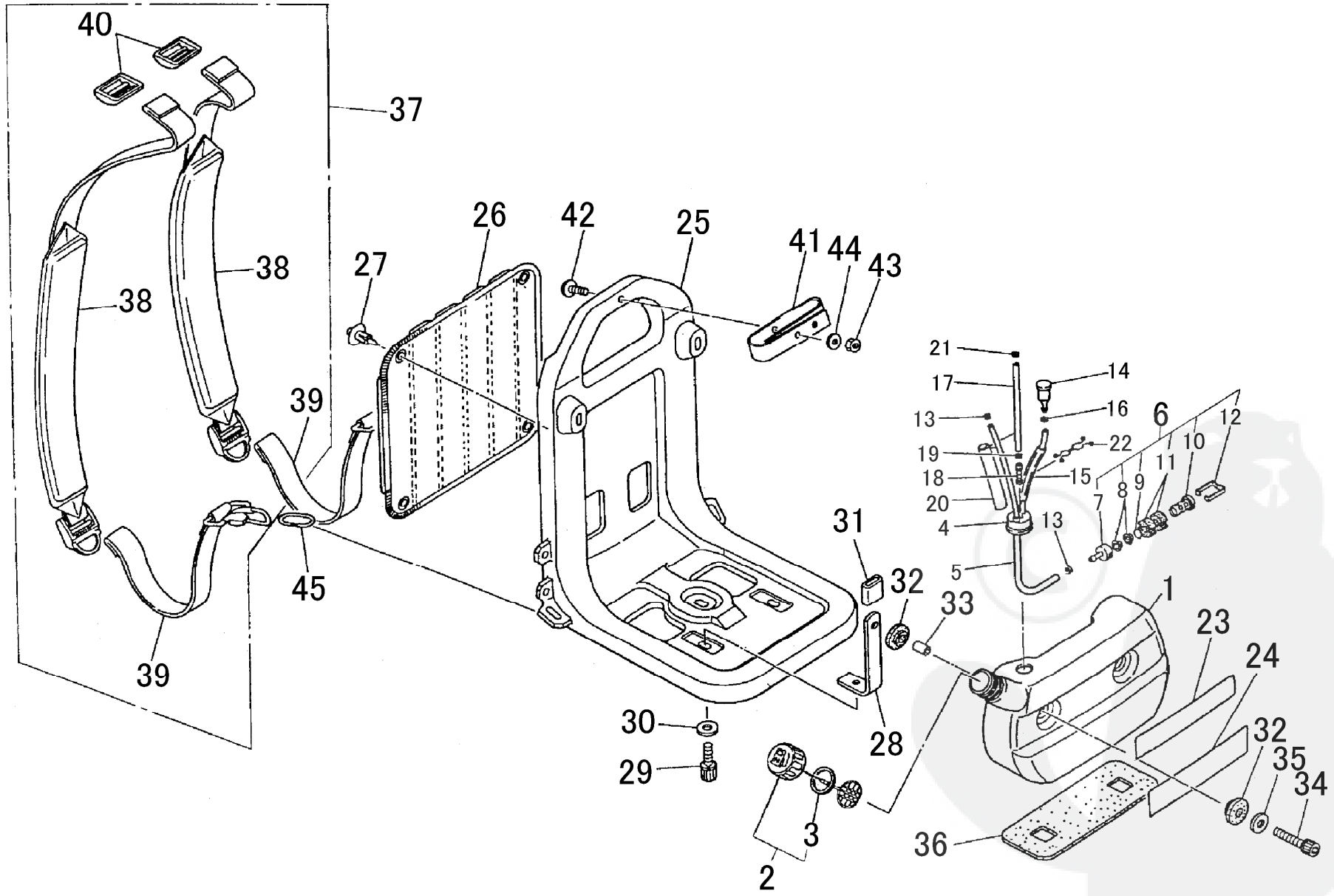
6- 1	72935-75101	RECOILSTARTERSUBASS	1
2	72935-75111	*STARTERCASE	1
3	70131-75120	*REEL	1
4	20024-75130	*RECOILSPRING	1
5	72935-75170	*SCREWTAPPING	1
6	20020-75180	*ROPE	1
7	20010-75190	*STARTERKNOB	1
8	20010-75210	*STOPPER	1
9	19420-00027	*LABELTRADE	1
10	72935-75200	STARTERPULLYASSY	1
12	20024-75220	*RATCHET	1
13	72935-75230	*RETURNSPRING	1
14	20024-75240	*ERING	1
15	72935-75310	NUT	1
16	11060-04160	BOLTADHESIVE	4
17	20020-76111	GASKETSTARTER	1



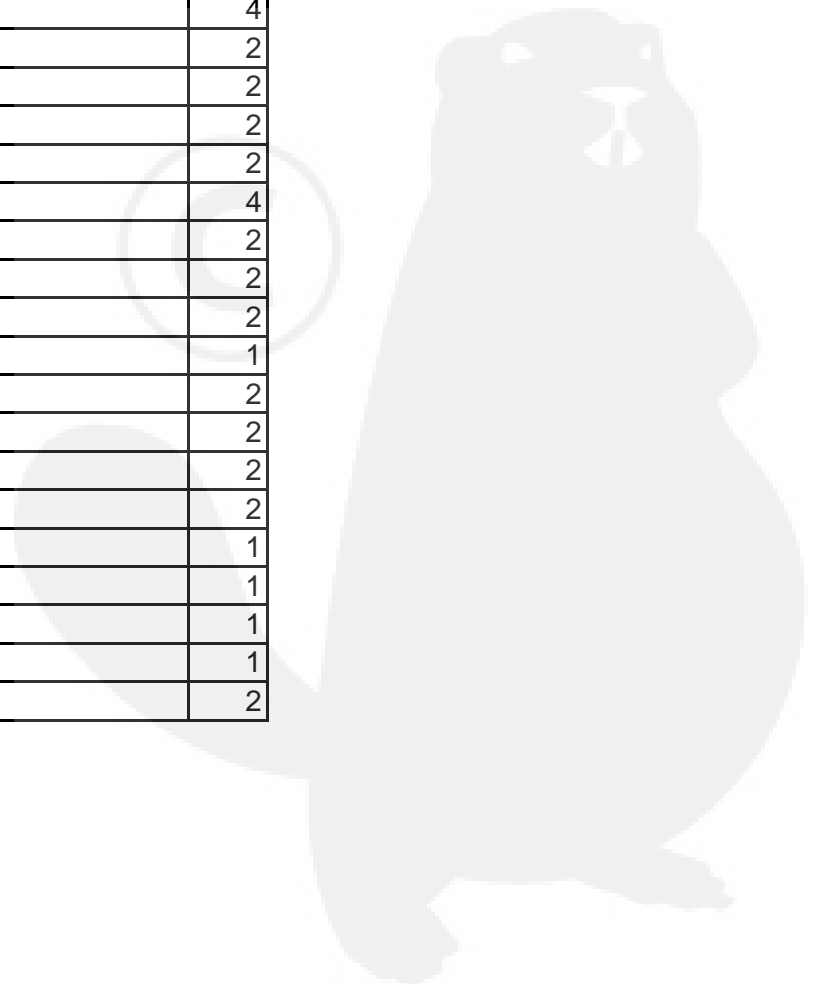


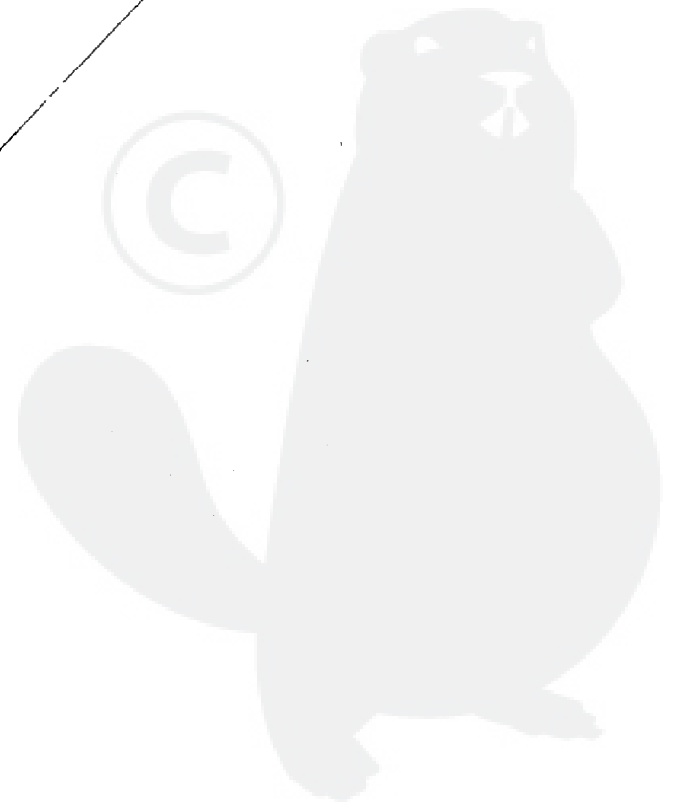
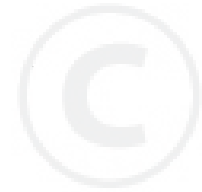
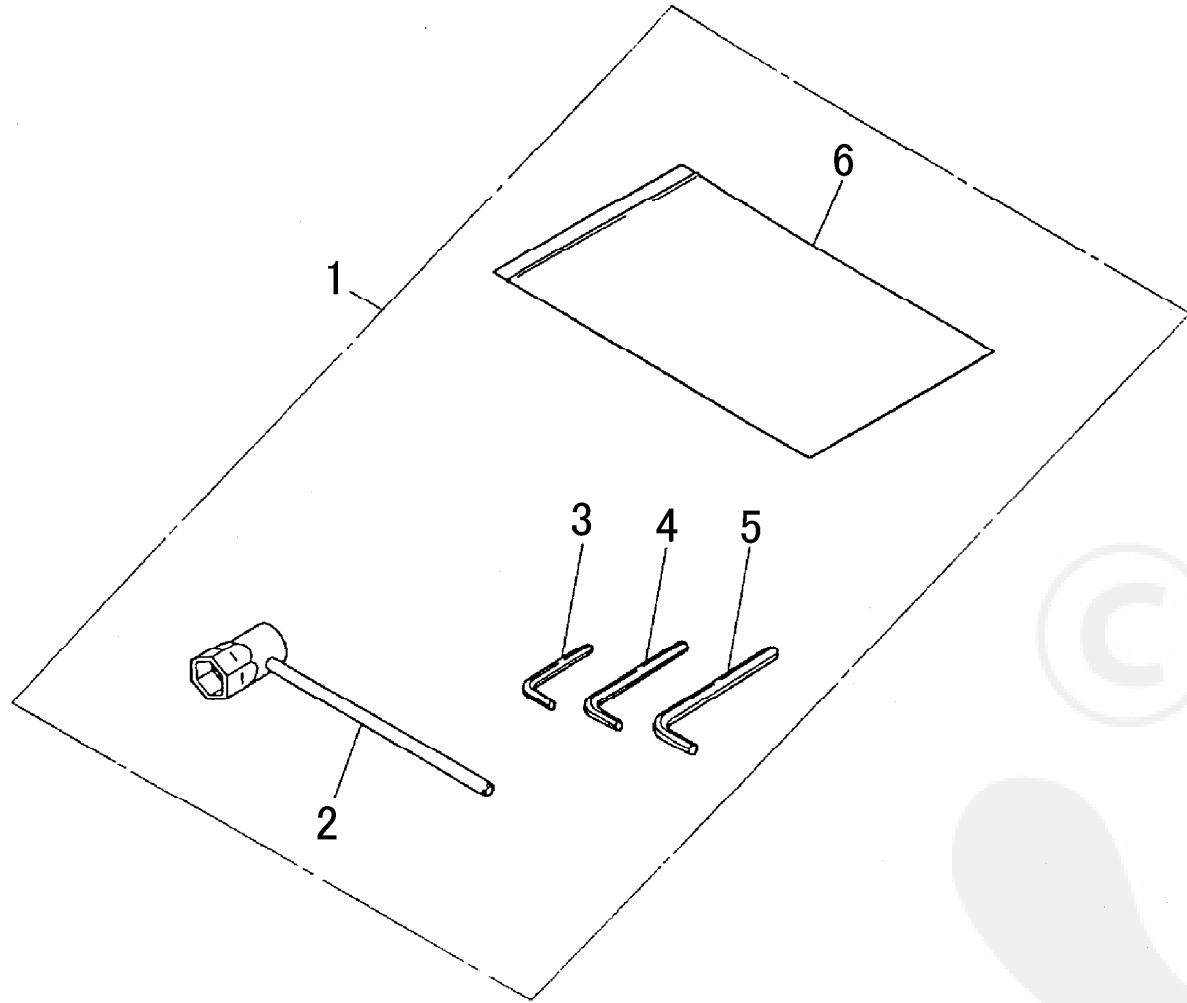
7- 1	68237-81010	CARBURETORASSY	1
2	72933-81410	*PUMPBODYASSY	1
3	70030-81380	**SCREEN	1
4	20036-81440	**NEEDLEVALVE	1
5	72933-81270	**SPRING	1
6	20016-81450	**SCREW	1
7	22100-81250	**PIN	1
8	22100-81230	**LEVER	1
9	68232-81321	*MAINJET	1
10	70097-81220	*ORING	1
11	20016-81420	*PUMPBASECOMP	1
12	20016-81510	*PUMPCOVER	1
13	20036-81670	*PRIMERPUMP	1
14	22100-81260	*DIAPHRAGMASSY	1
15	20016-81280	*GASKET	1
16	70097-81320	*DIAPHRAGM	1
17	70097-81310	*GASKETPUMP	1
18	20016-81140	*SCREW	4
19	72933-81450	*SWIVEL	1
20	20089-81185	*WASHER	1
21	20036-81195	*ERING	1
22	20089-81130	*BRACKET	1
23	70097-81290	*SCREW	1
24	20089-81110	*CABLEADJUSTER	1
25	20036-81120	*NUT	2
26	72933-81250	*RINGGASKET	1
27	62074-81320	*PLAG	1
28	72935-81711	GASKETCABURETOR	1
29	72935-81501	CHOKECOMP	1
30	01020-05600	BOLT	2
31	01600-05131	SPRINGWASHER	2
32	01610-05080	WASHER	2
33	72935-82111	CLEANERBODY	1
34	72935-82130	PIPE	1
35	72935-82120	CLEANERCOVER	1
36	19404-00008	LABELCHOKE	1
37	72935-82210	GASKET	1
38	11024-04140	BOLTSPW	2
39	72935-82310	FILTER	1





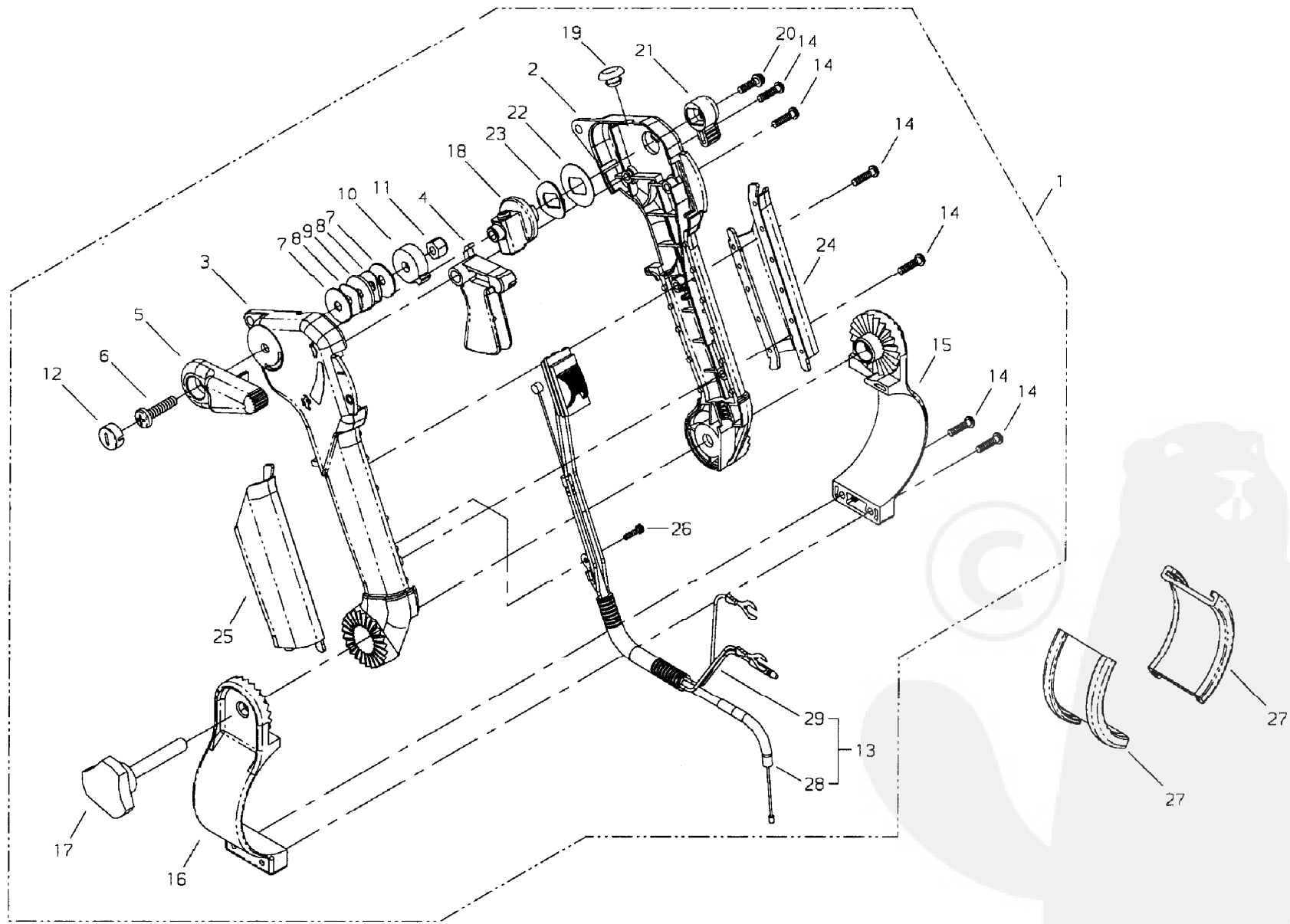
8- 1	72935-85111	FUELTANK	1
2	68204-85020	FUELCAPASSY	1
3	20000-85221	*GASKET	1
4	72933-85350	GROMMET	1
5	68206-85340	PIPE	1
6	22115-85401	FUELFILTERSUBASSY	1
7	22128-85410	*FUELLINEWEIGHT	1
8	22118-85460	*SCREEN	2
9	22128-85480	*RING	1
10	22128-85470	*SLEEVE	1
11	22128-85421	*FILTER	2
12	22128-85440	*CLIPFILTER	1
13	20020-85540	CLIP	2
14	20035-85522	VALVE	1
15	72935-85530	PIPE	1
16	20020-85540	CLIP	1
17	72935-85512	PIPE	1
18	72933-85620	JOINT	1
19	20020-85540	CLIP	1
20	72935-85540	PIPE	1
21	20021-85540	CLIP	1
22	72935-85550	CLIP	1
23	68200-91032	LABELTRADE	1
24	19420-00055	LABELTRADE	1
25	72935-86111	FRAME	1
26	72935-86120	PAD	1
27	72935-86130	CLIP	4
28	72935-86411	BRACKET	2
29	11020-06200	BOLTSW	2
30	15401-10016	COLLAR	2
31	72935-86440	CUSHION	2
32	72935-86421	CUSHION	4
33	17901-06150	COLLAR	2
34	11020-06250	BOLTSW	2
35	15401-20004	COLLAR	2
36	72935-86431	CUSHION	1
37	72935-87100	BANDASSY	2
38	72935-87111	*BAND	2
39	72935-87120	*BAND	2
40	72451-17230	*BUCKLE	2
41	72935-87210	BAND	1
42	01215-06300	SCREW	1
43	22011-97840	LOCKNUT	1
44	15401-10016	COLLAR	1
45	72935-87310	RING	2





9- 1	72935-91000	TOOLSET	1
2	22900-91180	*PLUGWRENCH	1
3	09026-03001	*HEXAWRENCH	1
4	09026-04001	*HEXAWRENCH	1
5	09026-05001	*HEXAWRENCH	1
6	19639-01100	*POLYBAG	1





10- 1	68237-84010	THROTTLELEVERASSY	1
2	68209-84320	*STAY	1
3	68209-84330	*STAY	1
4	68209-84340	*THROTTLELEVER	1
5	68209-84350	*LOCKLEVER	1
6	68209-84360	*ADJUSTBOLT	1
7	68209-84370	*WASHER	2
8	68209-84380	*ADJSPRING	2
9	68209-84390	*WASHER	1
10	68209-84400	*PLATE	1
11	68209-84410	*NYLONNUT	1
12	68209-84420	*RUBBERCAP	1
13	68237-84310	*THROTTLECABLEASSY	1
28	68237-84330	**THROTTLECABLE	1
29	68237-84320	**SWITCH	1
14	68209-84440	*SCREW	6
15	68209-84450	*BANDRIGHT	1
16	68209-84460	*BANDLEFT	1
17	68209-84470	*KNOBBOLT	1
18	68209-84480	*ADJUSTERASSY	1
19	68209-84490	*PLUG	1
20	68209-84500	*SCREW	1
21	68209-84510	*SUBLEVER	1
22	68209-84520	*WASHER	1
23	68209-84530	*ADJSPRING	1
24	68209-84540	*GRIP	1
25	68209-84550	*GRIP	1
26	68209-84560	*SCREW	1
27	68237-84340	SPACER	2

