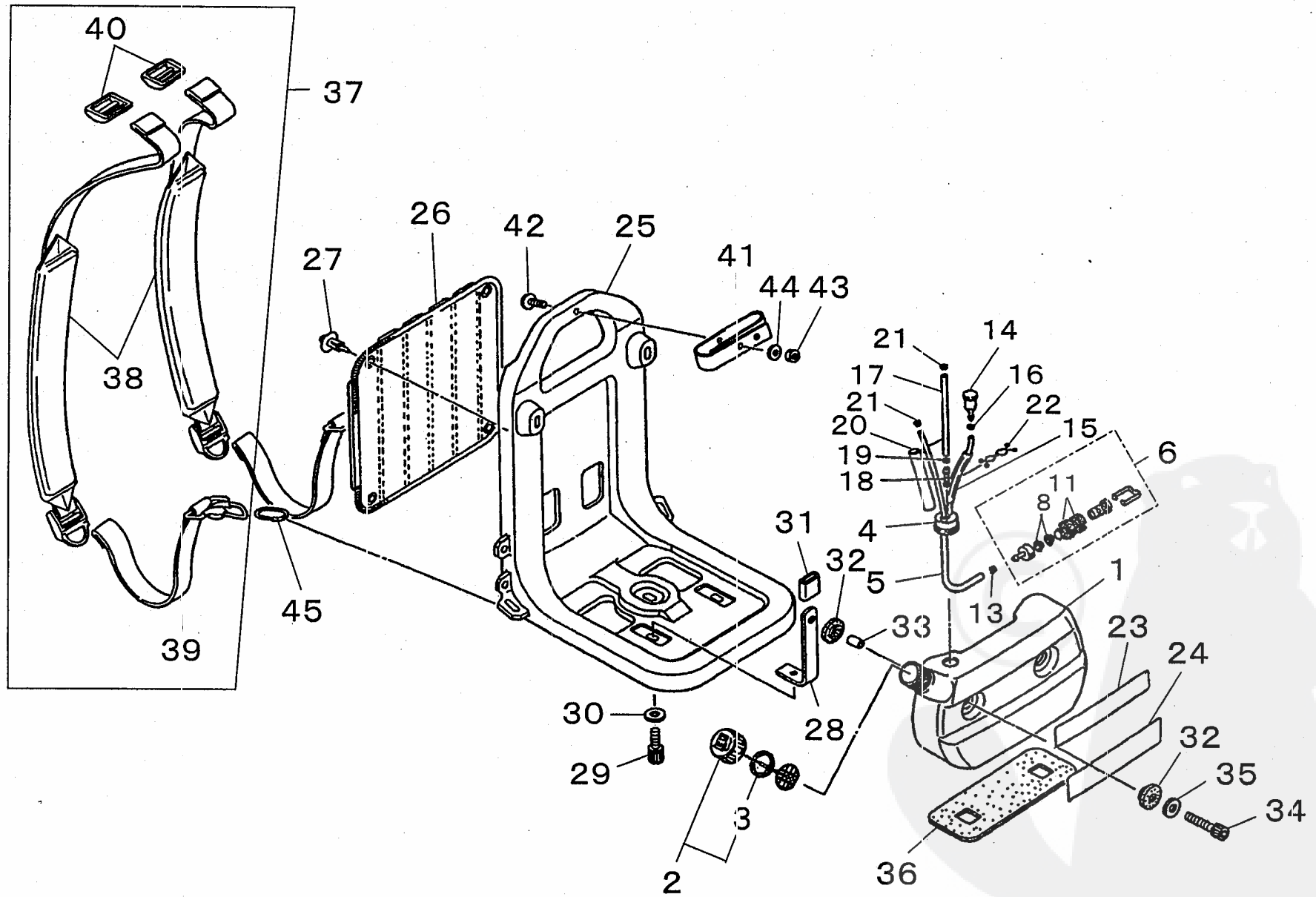


PRICE: (¥)

| Ref. No | Part No. | Part Name | Q'ty | Unit Price | Remarks |
|---------|-------------|------------------|------|------------|---------|
| 7- 1 | 68205-81010 | CARBURETOR ASSY | 1 | | |
| 2 | 72933-81411 | * PUMP BODY ASSY | 1 | | |
| 3 | 70030-81380 | ** SCREEN | 1 | | |
| 4 | 20036-81440 | ** NEEDLE VALVE | 1 | | |
| 5 | 72933-81270 | ** SPRING | 1 | | |
| 6 | 20016-81450 | ** SCREW | 1 | | |
| 7 | 22100-81250 | ** PIN | 1 | | |
| 8 | 22100-81230 | ** LEVER | 1 | | |
| 9 | 72935-81250 | * MAIN JET | 1 | | |
| 10 | 70097-81220 | * O RING | 1 | | |
| 11 | 20016-81420 | * PUMP BASE COMP | 1 | | |
| 12 | 20016-81510 | * PUMP COVER | 1 | | |
| 13 | 20036-81670 | * PRIMER PUMP | 1 | | |
| 14 | 22100-81260 | * DIAPHRAGM ASSY | 1 | | |
| 15 | 20016-81280 | * GASKET | 1 | | |
| 16 | 70097-81320 | * DIAPHRAGM | 1 | | |
| 17 | 70097-81310 | * GASKET PUMP | 1 | | |
| 18 | 20016-81140 | * SCREW | 4 | | |
| 19 | 72933-81450 | * SWIVEL | 1 | | |
| 20 | 20089-81185 | * WASHER | 1 | | |
| 21 | 20036-81195 | * E RING | 1 | | |
| 22 | 20089-81130 | * BRACKET | 1 | | |
| 23 | 70097-81290 | * SCREW | 2 | | |
| 24 | 20089-81110 | * CABLE ADJUSTER | 1 | | |
| 25 | 20036-81120 | NUT | 1 | | |
| 26 | 72933-81250 | RING GASKET | 1 | | |
| 27 | 72935-81711 | GASKET CABURETOR | 2 | | |
| 28 | 72935-81501 | CHOKE COMP | 1 | | |
| 29 | 01020-05600 | BOLT | 2 | | |
| 30 | 01600-05131 | SPRING WASHER | 2 | | |
| 31 | 01610-05080 | WASHER | 2 | | |
| 32 | 72935-82111 | CLEANER BODY | 1 | | |
| 33 | 72935-82130 | PIPE | 1 | | |
| 34 | 72935-82120 | CLEANER COVER | 1 | | |
| 35 | 19404-00008 | LABEL CHOKE | 1 | | |
| 36 | 72935-82210 | GASKET | 1 | | |
| 37 | 11024-04140 | BOLT SPW | 2 | | |
| 38 | 72935-82310 | FILTER | 1 | | |



PRICE: (¥)

| Ref. No. | Part No. | Part Name | Q'ty | Unit Price | Remarks |
|----------|-------------|----------------------|------|------------|---------|
| 8- 1 | 72935-85111 | FUEL TANK | 1 | | |
| 2 | 68204-85020 | FUEL CAP ASSY | 1 | | |
| 3 | 20000-85221 | • GASKET | 1 | | |
| 4 | 72933-85350 | GROMMET | 1 | | |
| 5 | 72935-85311 | PIPE | 1 | | |
| 6 | 22115-85401 | FUEL FILTER SUB ASSY | 1 | | |
| 8 | 22118-85460 | • SCREEN | 2 | | |
| 11 | 22128-85421 | • FILTER | 2 | | |
| 13 | 20020-85540 | CLIP | 1 | | |
| 14 | 20035-85522 | VALVE | 1 | | |
| 15 | 72935-85530 | PIPE | 1 | | |
| 16 | 20020-85540 | CLIP | 1 | | |
| 17 | 72935-85512 | PIPE | 1 | | |
| 18 | 72933-85620 | JOINT | 1 | | |
| 19 | 20020-85540 | CLIP | 1 | | |
| 20 | 72935-85540 | PIPE | 1 | | |
| 21 | 20021-85540 | CLIP | 2 | | |
| 22 | 72935-85550 | CLIP | 1 | | |
| 23 | 68200-91031 | LABEL TRADE | 1 | | |
| 24 | 19420-00042 | LABEL TRADE | 1 | | |
| 25 | 72935-86111 | FRAME | 1 | | |
| 26 | 72935-86120 | PAD | 1 | | |
| 27 | 72935-86130 | CLIP | 4 | | |
| 28 | 72935-86411 | BRACKET | 2 | | |
| 29 | 11020-06200 | BOLT SW | 2 | | |
| 30 | 15401-10016 | COLLAR | 2 | | |
| 31 | 72935-86440 | CUSHION | 2 | | |
| 32 | 72935-86421 | CUSHION | 4 | | |
| 33 | 17901-06150 | COLLAR | 2 | | |
| 34 | 11020-06250 | BOLT SW | 2 | | |
| 35 | 15401-20004 | COLLAR | 2 | | |
| 36 | 72935-86431 | CUSHION | 1 | | |
| 37 | 72935-87100 | BAND ASSY | 2 | | |
| 38 | 72935-87111 | • BAND | 2 | | |
| 39 | 72935-87120 | • BAND | 2 | | |
| 40 | 72451-17230 | • BUCKLE | 2 | | |
| 41 | 72935-87210 | BAND | 1 | | |
| 42 | 01215-06300 | SCREW | 1 | | |

