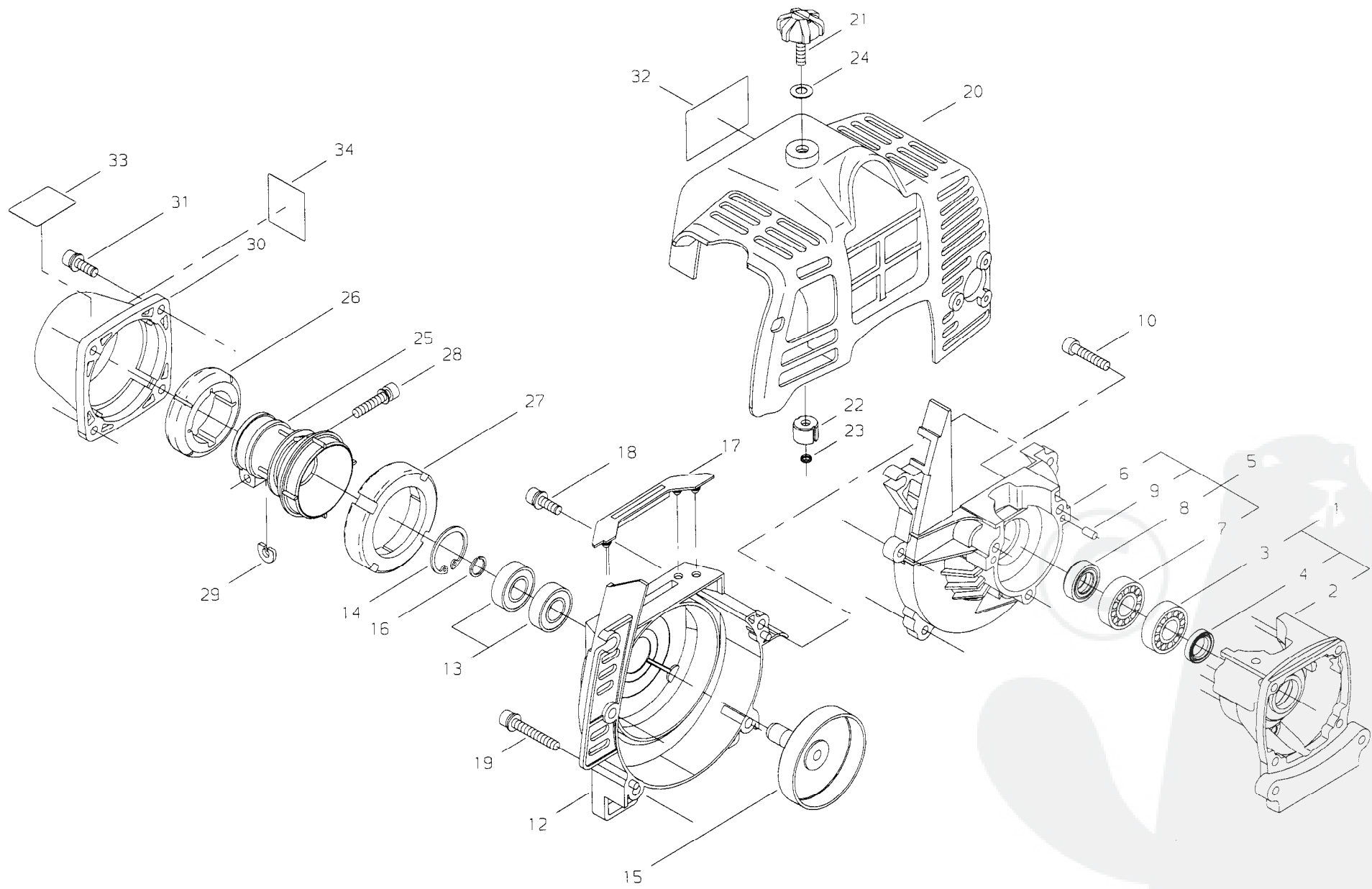
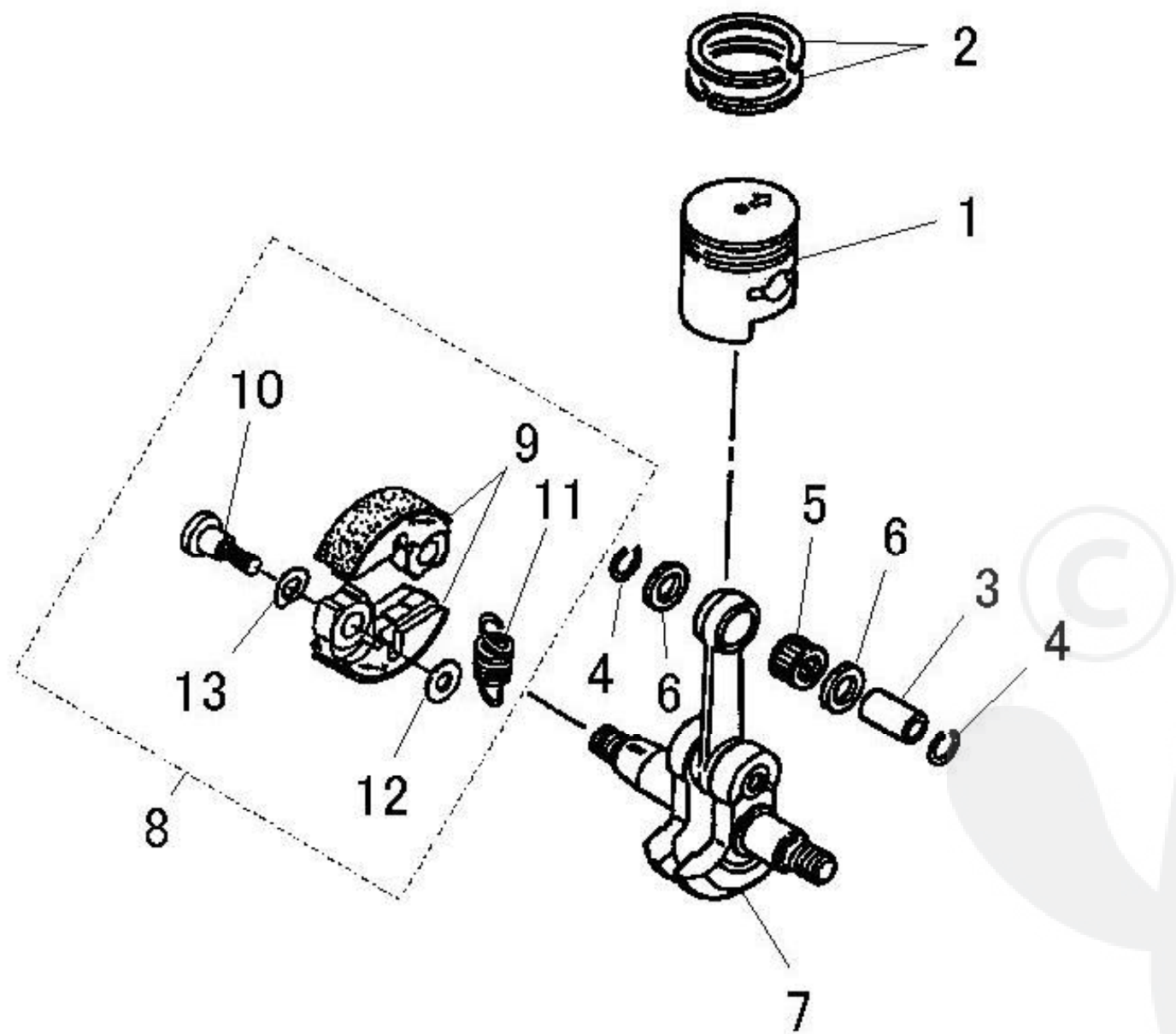


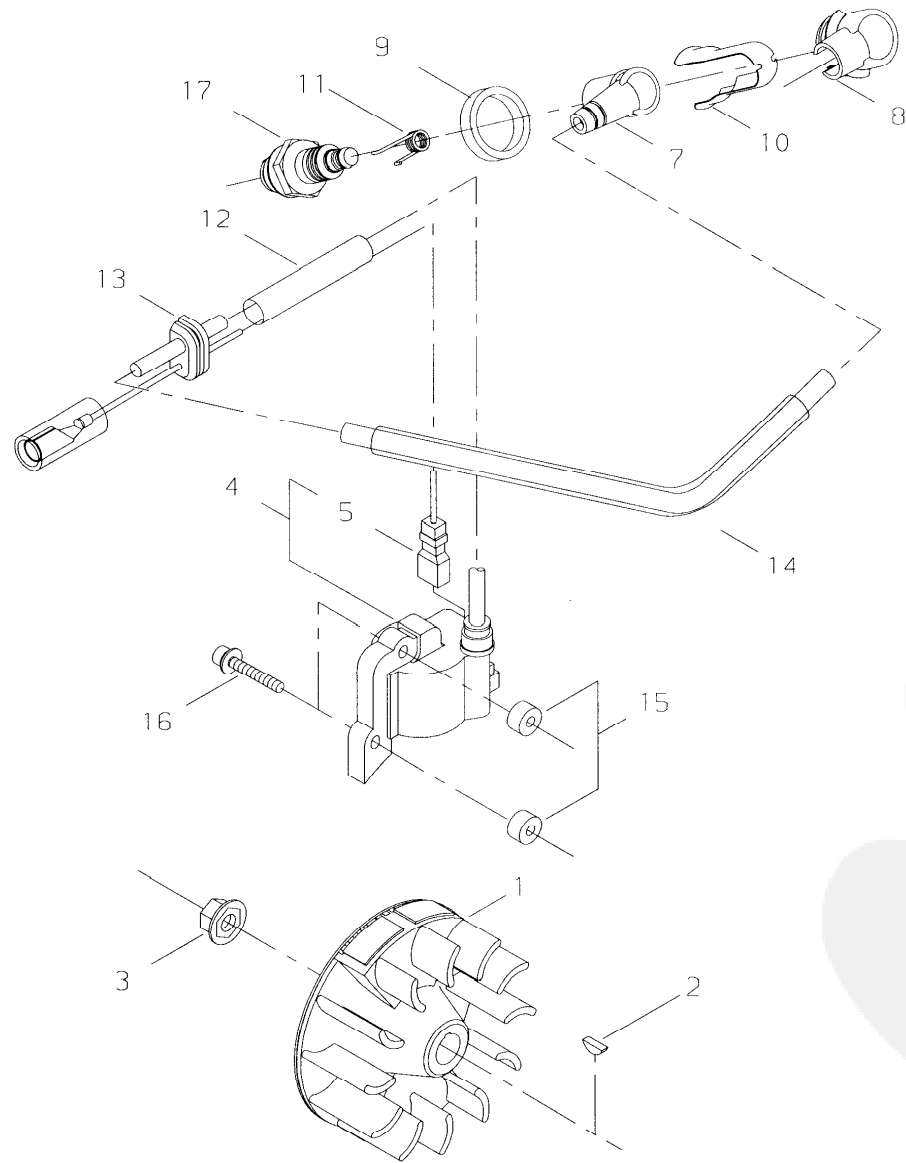
Ref. No	Part No.	Part Name	Q`ty
1- 1	20016-12110	CYLINDER	1
2	20016-12122	GASKET	1
3	01020-05250	BOLT	2
4	20016-12212	INSULATOR	1
5	20016-12220	GASKET	1
6	20011-12260	NUT	2
7	11022-05300	BOLTSW	2
8	20018-15110	MUFFLER	1
9	20016-15122	GASKET	1
10	01020-05500	BOLT	2
11	01610-05080	WASHER	2
12	01020-05120	BOLT	1



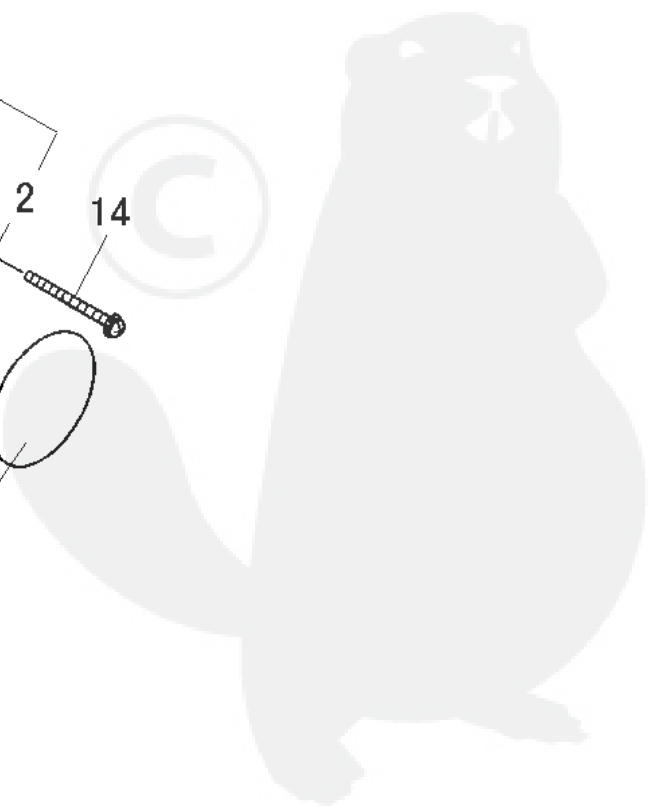
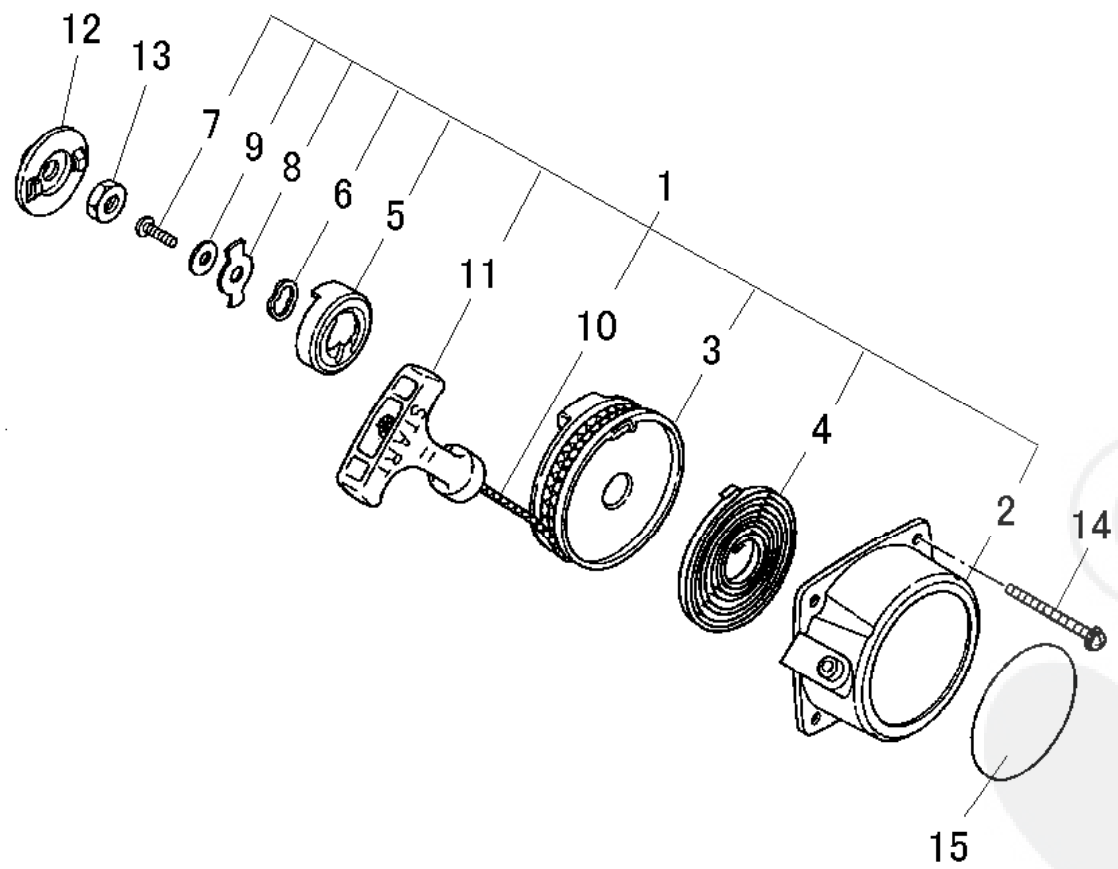
2-1	20016-21100	CRANKCASESCOMP	1
2	20016-21111	*CRANKCASES	1
3	12900-60010	*BEARING	1
4	22150-21250	*OILSEAL	1
5	20016-21200	CRANKCASEMCOMP	1
6	20016-21120	*CRANKCASEM	1
7	12900-60010	*BEARING	1
8	20000-21211	*OILSEAL	1
9	12492-40080	*ROLLER	2
10	01020-05250	BOLT	3
12	70140-31113	FANCOVER	1
13	02002-06000	BEARING	2
14	02432-26120	SNAPRING	1
15	20087-31210	CLUTCHDRUM	1
16	22000-13320	SNAPRING	1
17	70140-31130	CUSHION	1
18	11022-05160	BOLTSPW	2
19	11022-05350	BOLTSPW	2
20	70140-32111	CYLINDERCOVER	1
21	20018-31251	KNOB	1
22	20018-31260	INSULATOR	1
23	20018-31270	CLIP	1
24	20024-81790	CONEWASHER	1
25	20018-31410	JOINT	1
26	20018-31420	FRONTCUSHION	1
27	20018-31430	REARCUSHION	1
28	11023-05250	BOLT SW	1
29	20018-31460	SHIM	1
30	70135-31470	CAP	1
31	11022-05160	BOLTSPW	4
32	32880-91020	LABELTRADE	1
33	19402-00228	LABELCAUTION	1
34	19404-00042	LABELDECIBEL	1



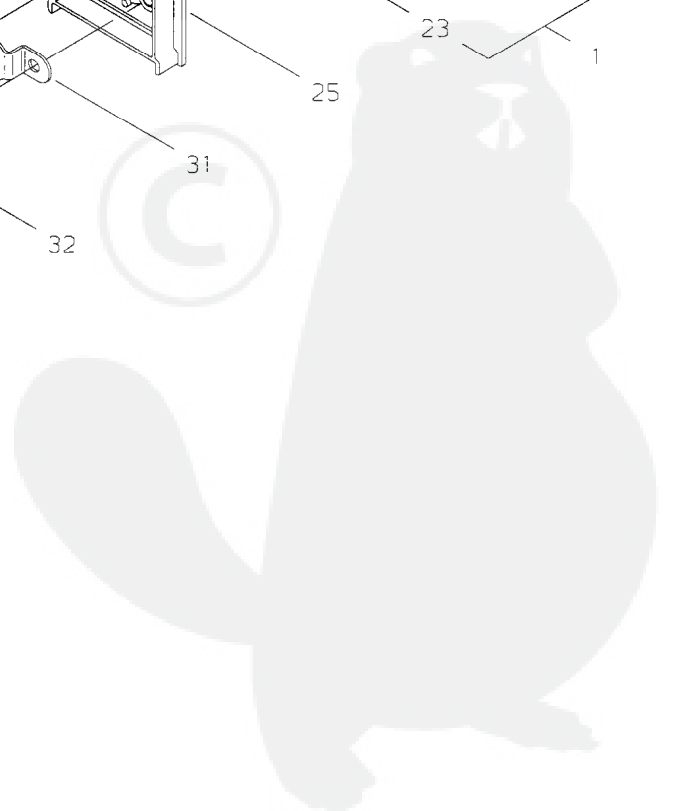
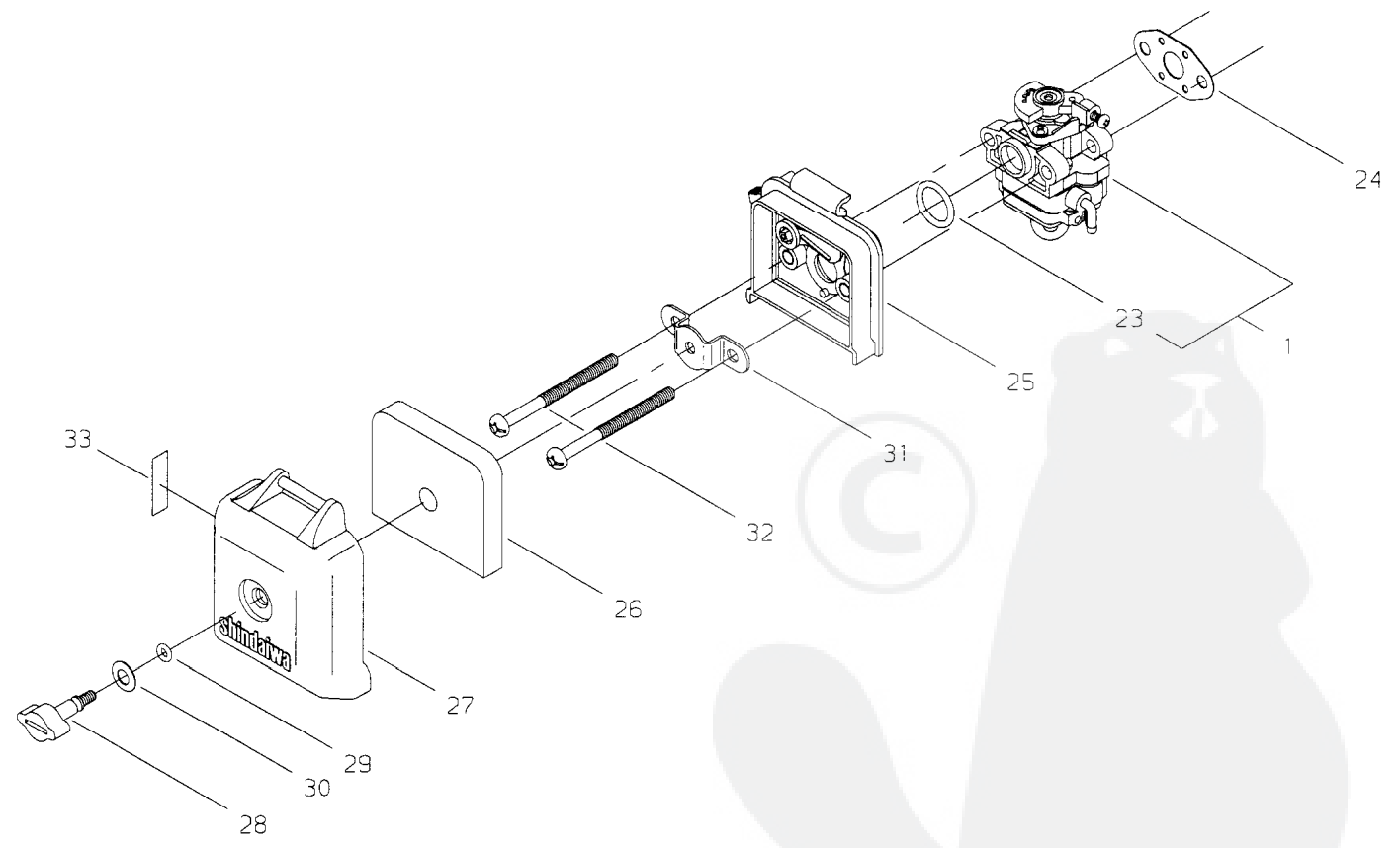
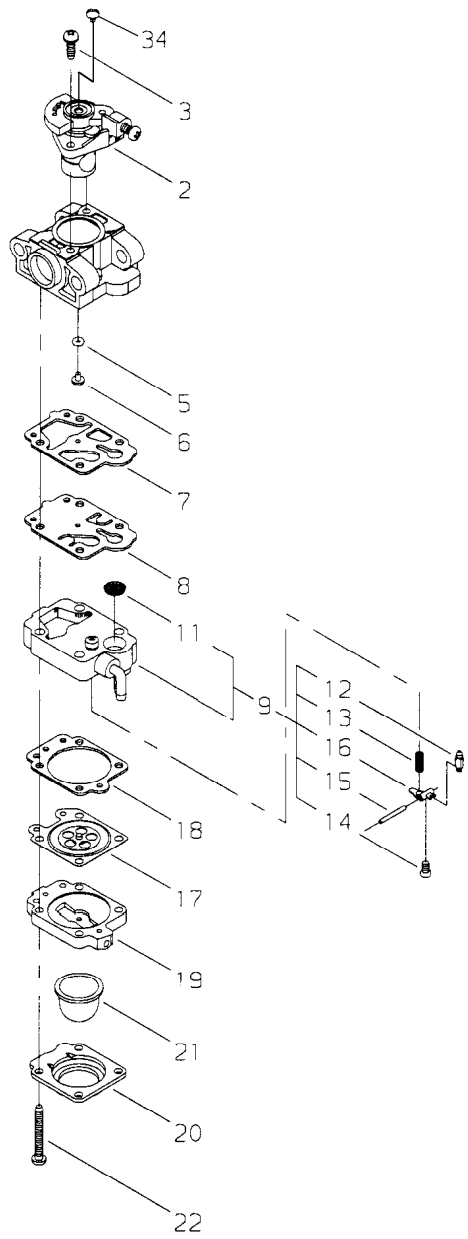
3- 1	20075-41110	PISTON	1
2	20000-41210	PISTONRING	2
3	20016-41310	PISTONPIN	1
4	70030-41320	SNAPRING	2
5	20016-41330	NEEDLEBEARING	1
6	20016-41340	THRUSTWASHER	2
7	20016-42002	CRANKSHAFTASSY	1
8	70140-51012	CLUTCHSHOESUBASSY	1
9	70140-51113	*CLUTCHSHOE	2
10	20087-51210	*BOLT	2
11	37013-51311	*COILSPRING	1
12	22100-71430	*WASHER	2
13	20087-51231	*SPRINGPLATE	2



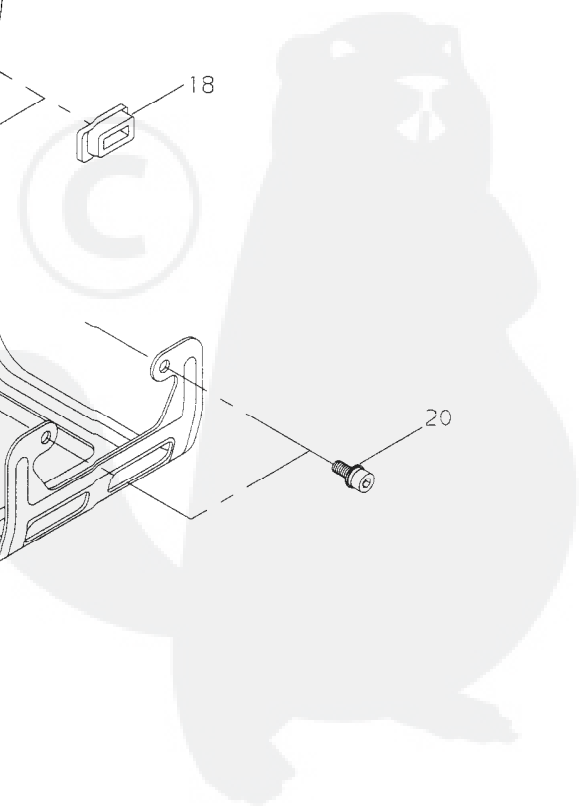
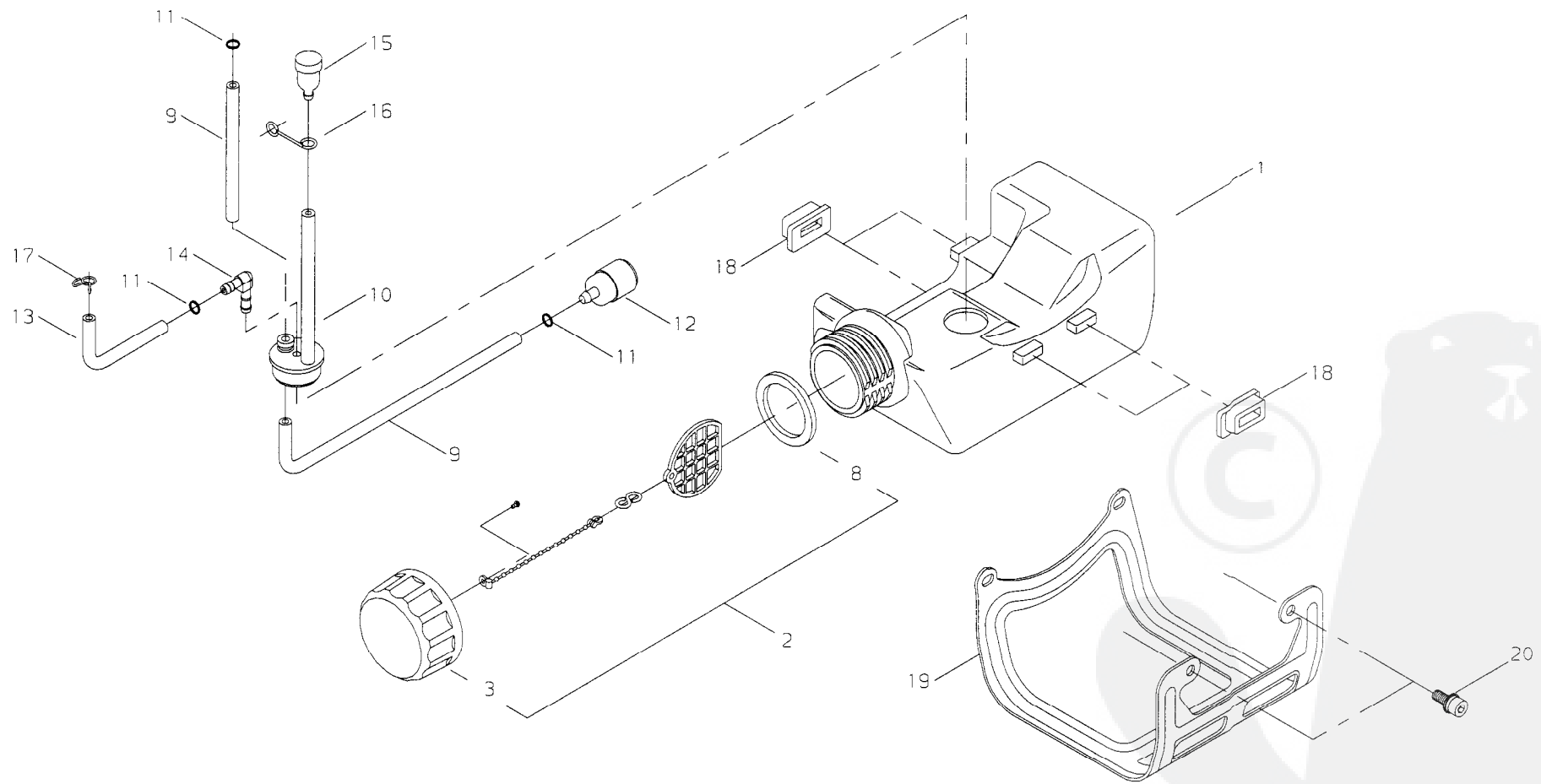
4- 1	20016-71200	ROTOR	1
2	02403-03100	KEY	1
3	20035-71220	NUT	1
4	20016-71601	COILASSY	1
5	20016-71641	*CORD	1
7	20010-72221	PLUGCAP	1
8	20000-72241	PLUGCAPCOVER	1
9	20000-72250	COVERBAND	1
10	70180-72260	SHIELD	1
11	20000-72230	SPRINGSPARKPLUG	1
12	20016-71651	TUBE	1
13	20010-72110	GROMMET	1
14	20016-71660	TUBE	1
15	70030-71620	INSULATOR	2
16	11024-04261	BOLTSLPW	2
17	13000-13406	SPARKPLUGBMR6A	1



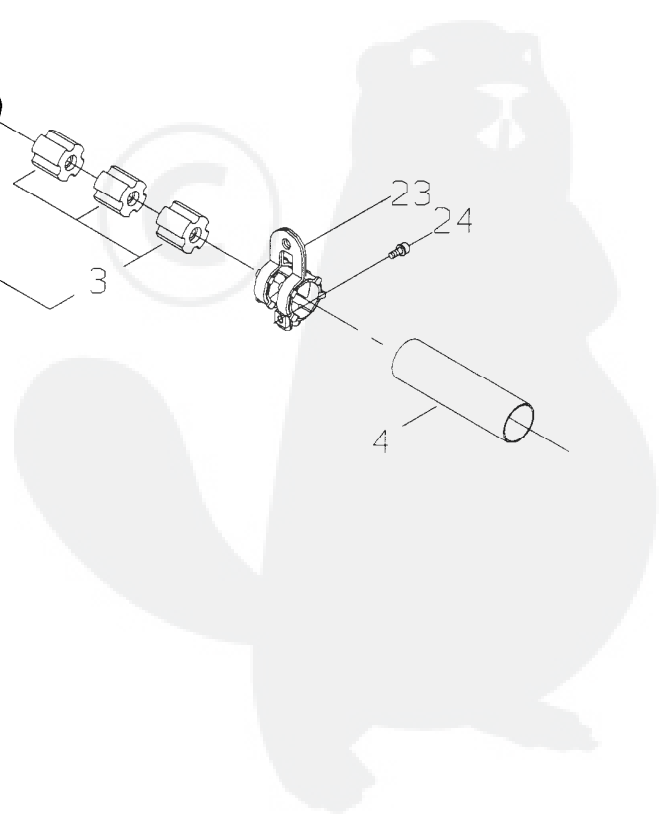
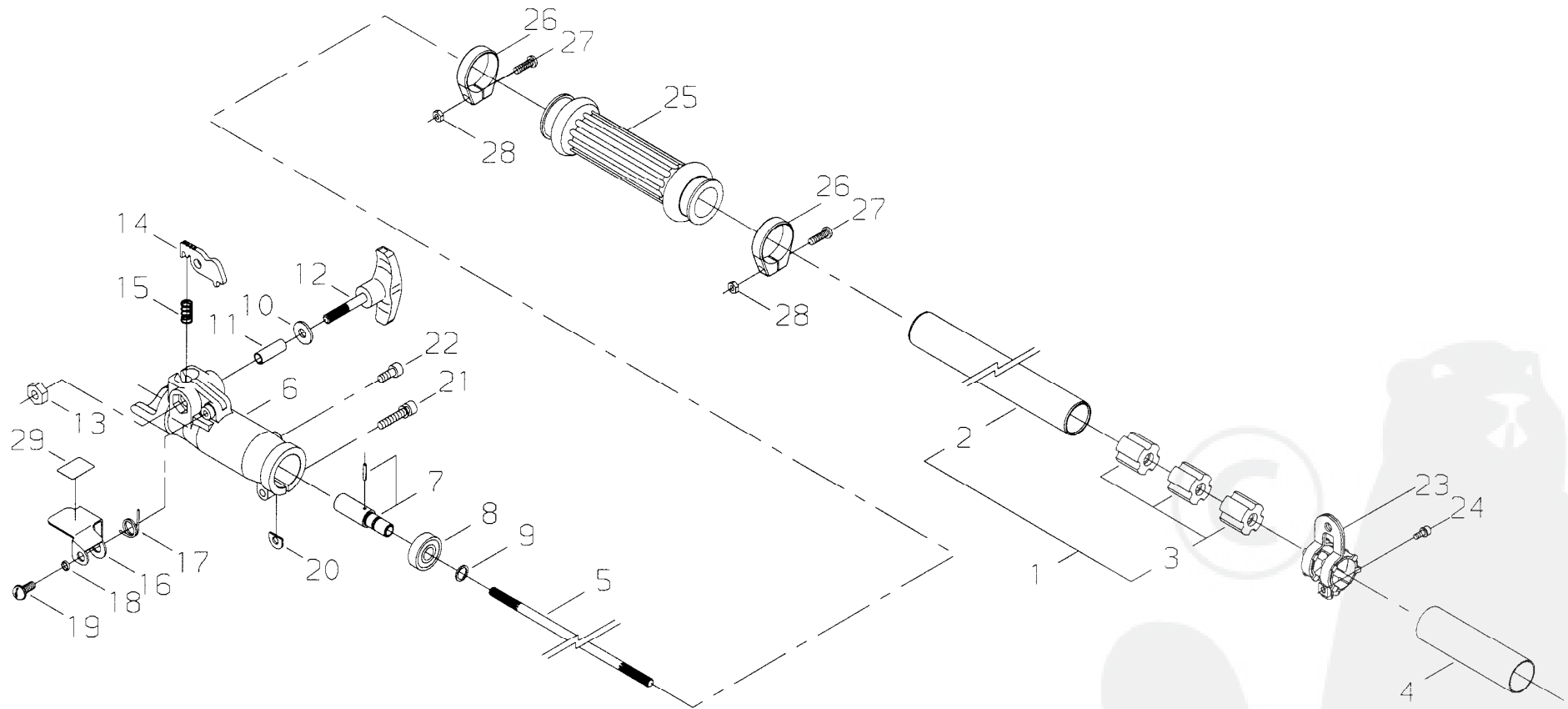
5- 1	72933-75101	RECOILSTARTERSUBASSY	1
2	70064-75110	*STARTERCASE	1
3	72933-75120	*REEL	1
4	70064-75130	*RECOILSPRING	1
5	72933-75140	*DOG	1
6	70064-75150	*WAVEWASHER	1
7	72933-75160	*SCREW	1
8	72933-75170	*RETAINER	1
9	72933-75180	*WASHER	1
10	70064-75190	*ROPE	1
11	32004-75150	*KNOB	1
15	70117-75311	*NAMEPLATE	1
12	70064-75310	STARTERPULLEY	1
13	01511-08051	NUT	1
14	11060-04122	BOLTADHESIVE	4



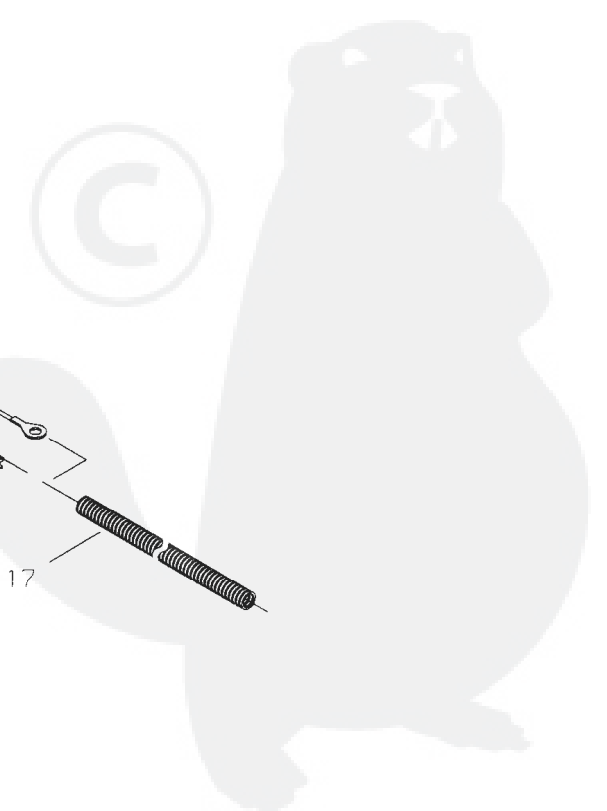
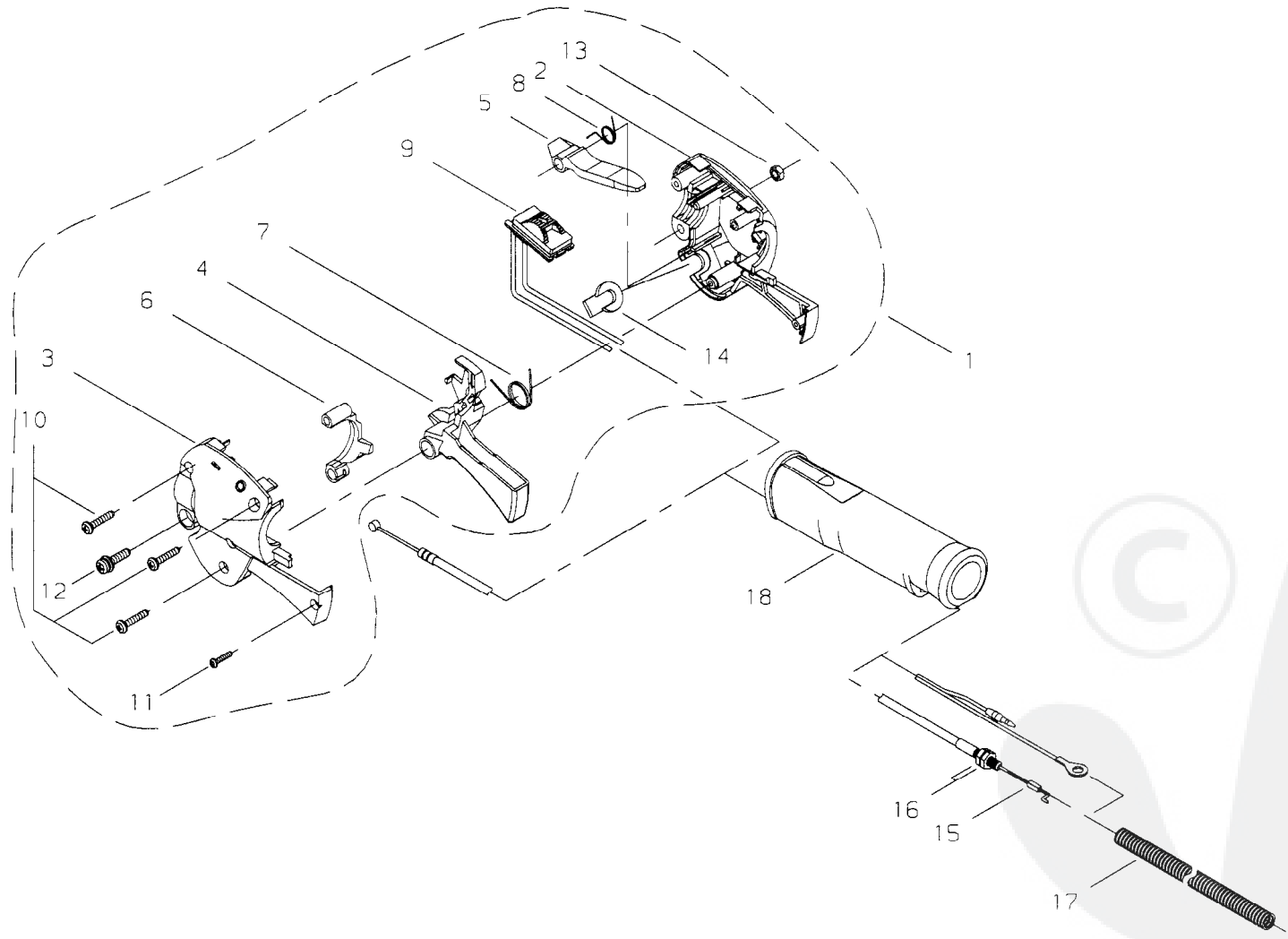
6- 1	20016-81001	CARBURETORBODYASSY	1
2	20016-81180	*THROTTLEVALVESET	1
3	70064-81290	*SCREW	2
5	70097-81220	*ORING	1
6	70064-81230	*MAINJET	1
7	70097-81310	*GASKETPUMP	1
8	70097-81320	*DIAPHRAGM	1
9	20016-81410	*PUMPBODYCOMP	1
11	70030-81380	**SCREEN	1
12	20036-81440	**NEEDLEVALVE	1
13	20016-81270	**SPRING	1
14	20016-81450	**SCREW	1
15	22100-81250	**PIN	1
16	22100-81230	**LEVER	1
17	22100-81260	*DIAPHRAGMASSY	1
18	20016-81280	*GASKET	1
19	20016-81420	*PUMPBASECOMP	1
20	70029-81480	*PUMPCOVER	1
21	20036-81670	*PRIMERPUMP	1
22	20016-81140	*SCREW	4
23	20016-81250	*ORING	1
24	20016-81530	GASKET	1
25	70140-81710	CLEANERBODYCOMP	1
26	20018-81750	FILTER	1
27	70140-81760	CLEANERCOVER	1
28	20115-81780	KNOBCLEANERCOVER	1
29	22100-82430	ORING	1
30	20024-81790	CONEWASHER	1
31	20018-81721	BACKPLATE	1
32	70140-81810	SCREWPM5X67	2
33	19404-00008	LABELCHOKE	1
34	22154-81270	PLUG	1



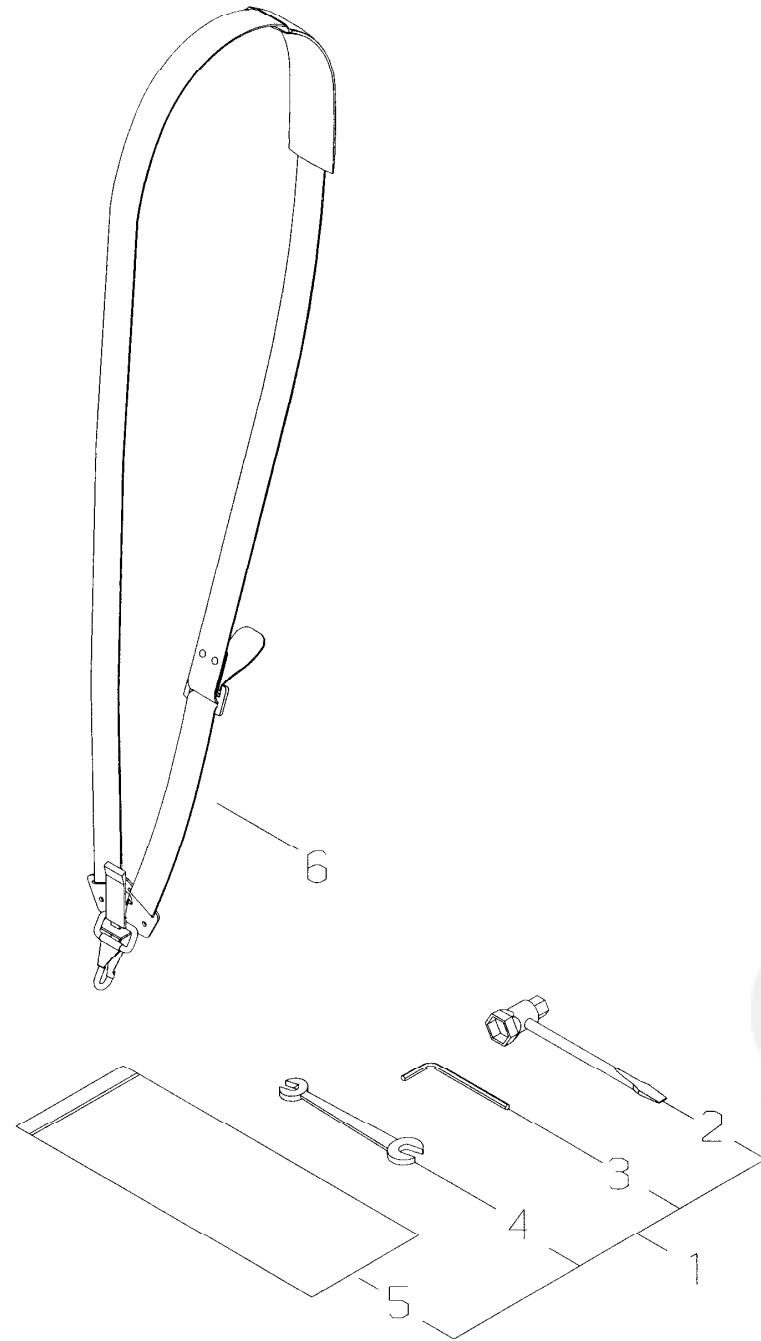
7- 1	20016-85112	FUELTANK	1
2	70168-85201	FUELCAPASSY	1
3	70168-85210	*FUELCAP	1
8	20000-85221	*GASKET	1
9	70064-85311	FUELPIPE	1
10	20089-85350	GROMMET	1
11	20020-85540	CLIP	3
12	20016-85400	FUELFILTER	1
13	20089-83311	PIPE	1
14	20087-85340	JOINT	1
15	20035-85522	VALVE	1
16	20016-12310	VALVEHOLDER	1
17	37013-85310	CLIP	1
18	20024-86120	TANKCUSHION	4
19	70135-86130	TANKGUARD	1
20	11022-05120	BOLTSPW	2



8- 1	65005-62010	OUTERPIPECOMP	1
2	63880-64320	*OUTERPIPE	1
3	22035-12120	*BUSH	3
4	65006-62310	PROTECTORP	1
5	63880-64340	MAINSHAFT	1
6	37000-62220	JOINTCASE	1
7	63880-64360	JOINTSHAFT	1
8	02002-00609	BEARING	1
9	22420-13350	SNAPRING	1
10	72030-14130	WASHER	1
11	17901-06220	COLLAR	1
12	63880-64380	KNOB	1
13	63880-64410	NUT	1
14	37000-62310	LOCKLEVER	1
15	17500-06001	COILSPRING	1
16	37000-62340	COVER	1
17	17520-12400	COILSPRING	1
18	15401-00004	COLLAR	1
19	11207-05120	SCREWPMPLPW	1
20	22000-13420	SHIM	1
21	11023-05250	BOLTSW	1
22	01020-05120	BOLT	1
23	22420-12210	HANGER	1
24	01020-05120	BOLT	1
25	37017-62131	GRIP	1
26	37017-62310	CLAMP	2
27	11203-04161	SCREWPM	2
28	22015-14390	NYLONNUT	2
29	19401-00168	LABELINST	1



9- 1	63023-62312	THROTTLELEVERASSY	1
2	63901-62321	*BODYRIGHT	1
3	63901-62332	*BODYLEFT	1
4	63901-62341	*LEVER	1
5	63901-62351	*LOCKLEVER	1
6	63901-62361	*HOLDER	1
7	63880-65350	*COILSPRING	1
8	63901-62370	*COILSPRING	1
9	63023-62320	*SWITCH	1
10	63880-65360	*SCREWTAPPING	3
11	63901-62390	*SCREWTAPPING	1
12	63901-62410	*SCREWSPW	1
13	01501-05030	*NUT	1
14	63880-65411	*PLUG	1
15	63023-62170	THROTTLECABLE	1
16	01501-06041	NUT	2
17	22422-14540	TUBE	1
18	63901-62140	GRIP	1



10- 1	78700-92010	TOOLSET	1
2	22102-91410	*PLUGWRENCH	1
3	09026-04001	*HEXAWRENCH	1
4	22000-91120	*SPANNER	1
5	19639-01100	*POLYBAG	1
6	22421-17202	STRAPASSY	1

