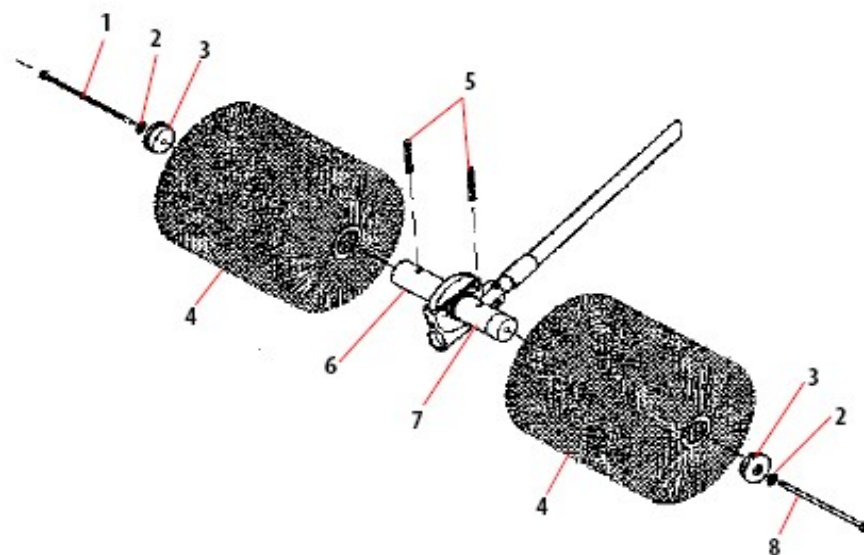
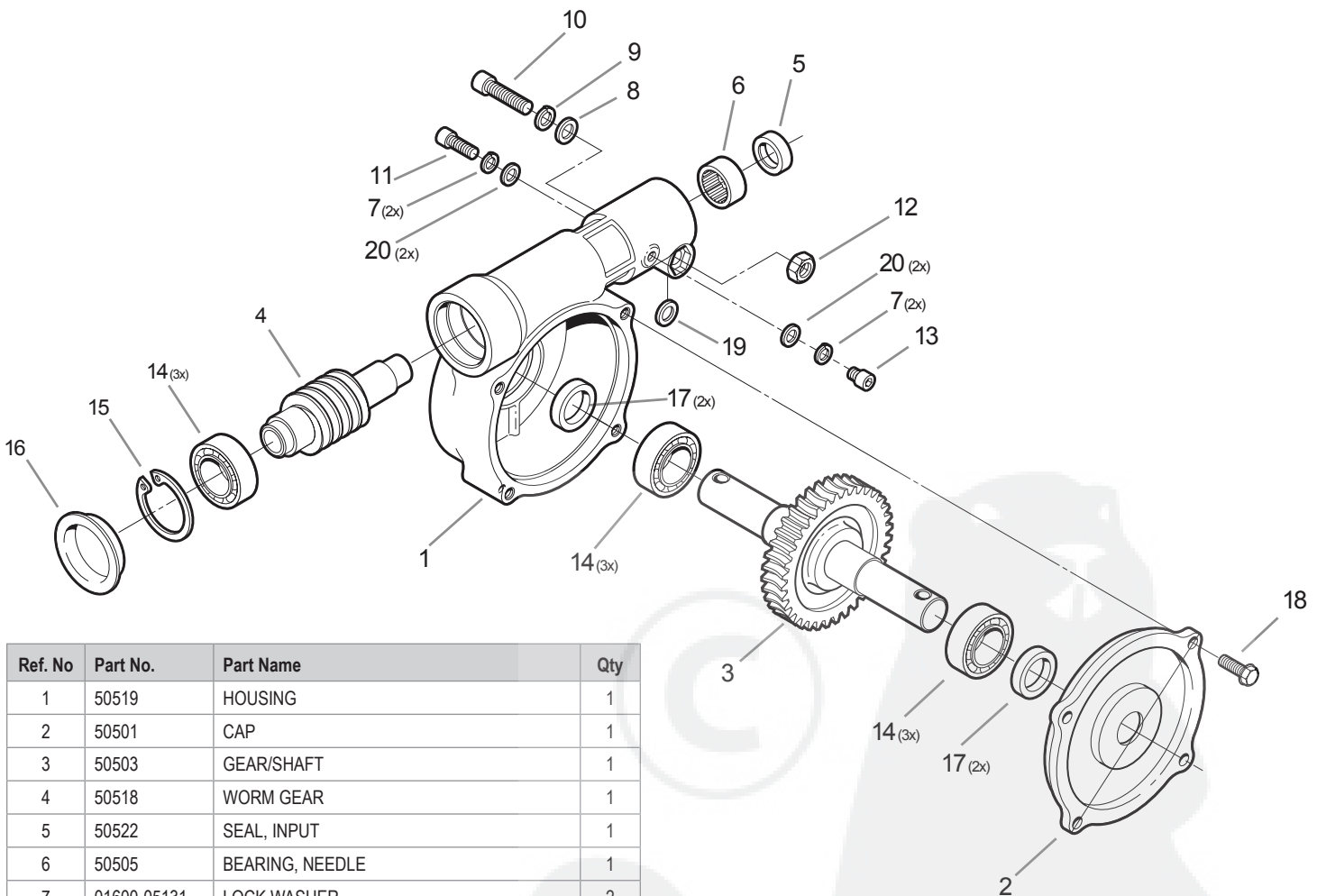


80295



Component	Item Description	Quantity
1	80180 bolt, hex head	1
2	99909-11118 washer, flat, 701067001	2
3	99909-11114 end caps, nylon brush	2
4	80254 brushes, nylon/silicon carbide	2
5	99909-11018 roll pins, 568067131	2
6	99909-11112 gearcase shaft adapt LH thread	1
7	33333 gearcase 0222-00380 (40:1), replaces 72953-13006	1
7	99909-11113 gearcase shaft adapt RH thread	1
8	80199 bolt, hex head	1

PowerBroom Shindaiwa Gearcase Assembly 33333



Ref. No	Part No.	Part Name	Qty
1	50519	HOUSING	1
2	50501	CAP	1
3	50503	GEAR/SHAFT	1
4	50518	WORM GEAR	1
5	50522	SEAL, INPUT	1
6	50505	BEARING, NEEDLE	1
7	01600-05131	LOCK WASHER	2
8	50509	WASHER, FLAT	1
9	50511	WASHER, LOCK	1
10	50507	SCREW	1
11	01020-05120	SCREW	1
12	50510	NUT	1
13	50520	BOLT	1
14	50506	BEARING	3
15	50512	RETAINING RING	1
16	50502	PLUG	1
17	50523	SEAL, OUTPUT	2
18	50508	SCREW, COVER	4
19	50509	SHIM	1
20	01610-05080	WASHER, FLAT	2