

# shindaiwa<sup>®</sup>

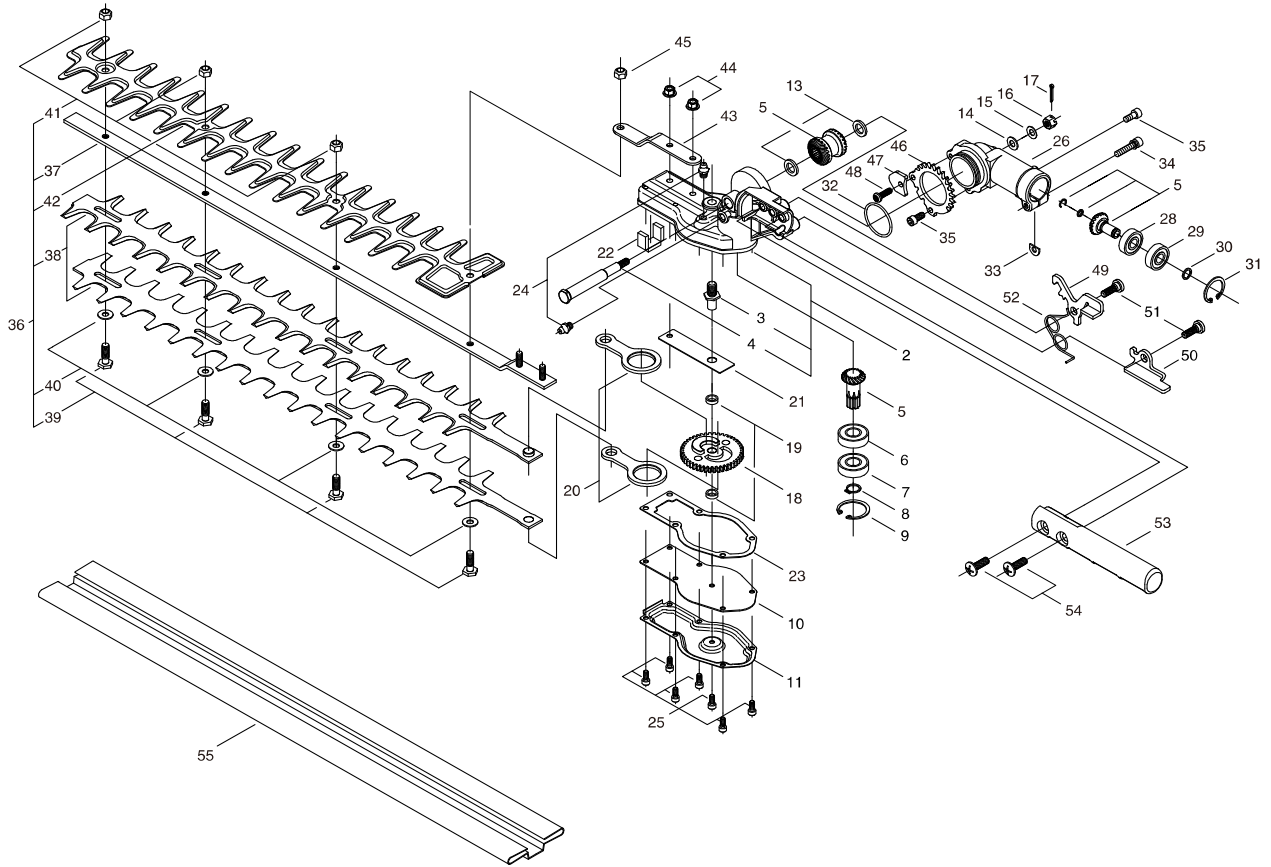
## **PARTS CATALOG** **SBA-AHS2422**

**CE**



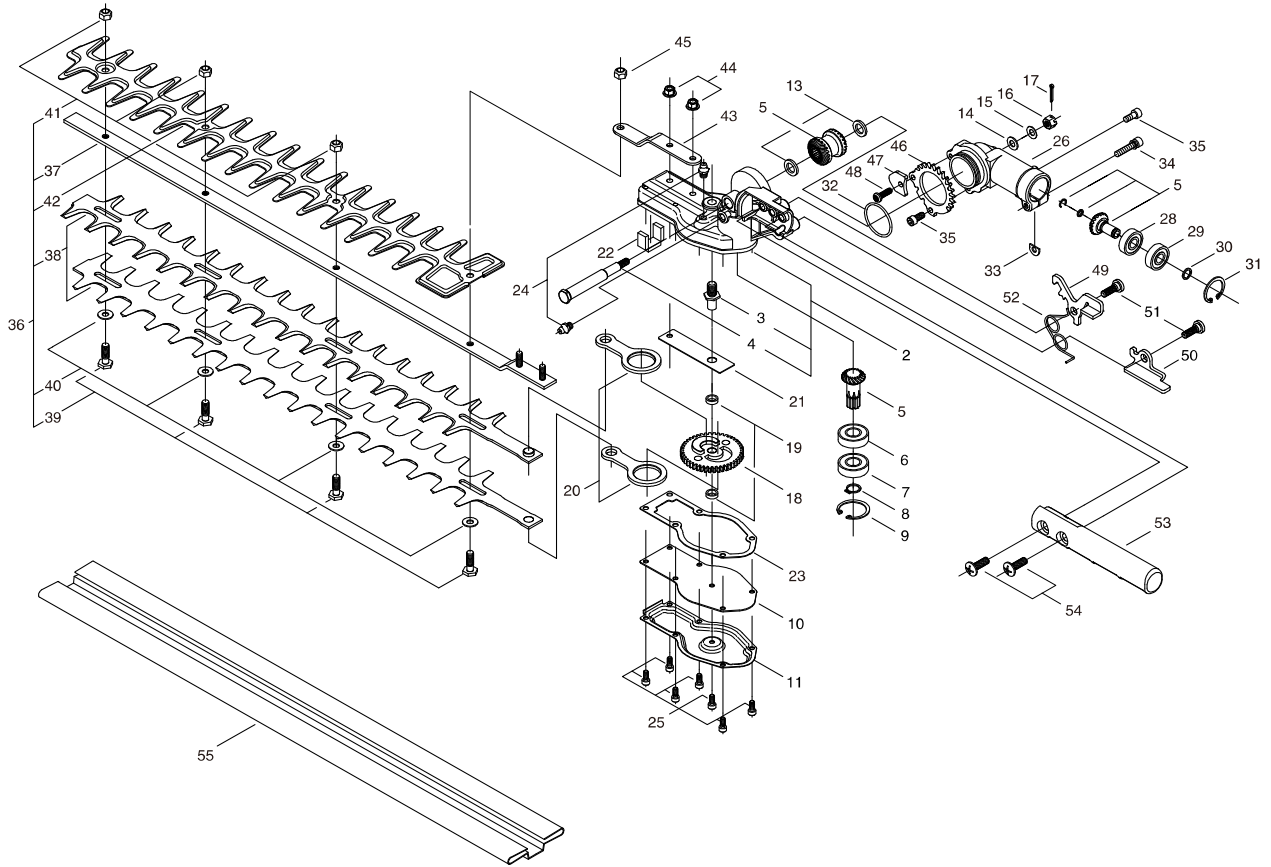
P017-001330-12Bb

# SBA-AHS2422 1 GEAR CASE



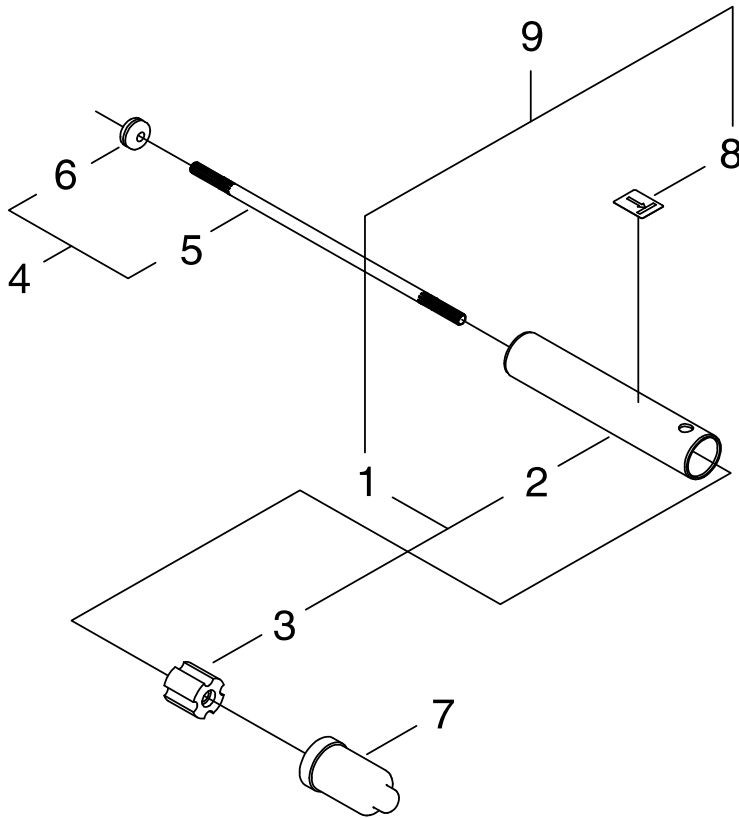
KEY	LV	PART NUMBER	Q'TY	DESCRIPTION	REMARKS
2		P021-028810	1	GEAR CASE	
3	+	C534-000660	1	MAIN SHAFT	
4	+	C534-000670	1	SHAFT	
5		P021-035780	1	GEAR SET	
6		900800-06001	1	BEARING, BALL 6001	
7		900804-06001	1	BEARING, BALL 6001ZZ	
8		92423-12000	1	SNAP RING	
9		92424-28000	1	SNAP RING	
10		C542-000040	1	CASE COVER	
11		C539-000080	1	COVER	
13		V307-000250	2	WASHER,CIRCULAR 10	
14		900603-00006	1	WASHER 6	
15		V347-000030	1	CONE WASHER	
16		V264-000170	1	NUT	
17		93002-16150	1	PIN	
18		V650-000530	1	CAM GEAR	
19		V355-000440	2	COLLAR	
20		C532-000220	2	ROD	
21		V150-002460	1	PLATE	
22		V541-000220	1	PACKING	
23		V110-000140	1	GASKET	
24		V187-000080	2	GREASE NIPPLE	
25		900105-04010	7	BOLT, H.S. 4*10	
26		C531-000700	1	GEAR CASE UPPER	
28		900800-00609	1	BEARING, BALL 609	
29		900804-00609	1	BEARING, BALL 609	

# SBA-AHS2422 1 GEAR CASE



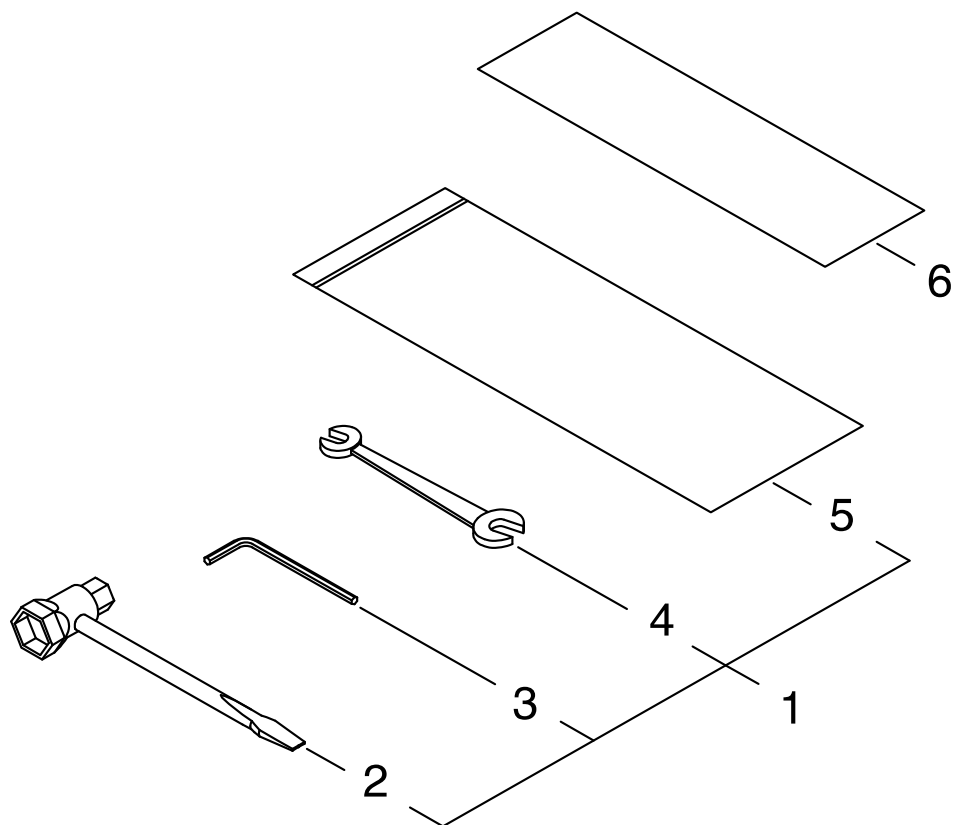
KEY	LV	PART NUMBER	Q'TY	DESCRIPTION	REMARKS
30		900706-00009	1	CIRCLIP 9	
31		92424-24000	1	SNAP RING	
32		92507-03150	1	O RING	
33		V340-000300	1	SHIM	
34		V203-000560	1	BOLT SW	
35		900105-05012	2	BOLT, H.S. 5*12	
36		X041-000311	1	CUTTER,ASM	
37	+	X425-000820	1	SUPPORT,CUTTER	
38	+	X411-001151	2	CUTTER	
39	+	V204-000570	4	BOLT	
40	+	V304-000240	4	WASHER	
41	+	433022-06460	3	NUT	
42	+	X431-000080	1	PROTECTOR	
43		V152-002390	1	HOLDER	
44		V263-000330	2	FLANGE NUT	
45		433022-06460	1	NUT	
46		C465-000020	1	ADJUST PLATE	
47		C629-000040	1	STOPPER PLATE	
48		V254-000100	1	SCREW	
49		C661-000070	1	LOCK LEVER	
50		C661-000080	1	SAFTY LEVER	
51		V204-000580	2	PIN RATCHET	
52		V452-000710	1	COIL SPRING	
53		C403-000480	1	HANDLE	
54		91463-06020	2	SCREW TRUSS	
55		X495-000410	1	BLADE COVER	

# SBA-AHS2422 2 MAIN PIPE



KEY	LV	PART NUMBER	Q'TY	DESCRIPTION	REMARKS
9		P021-029150	1	OUTER PIPE COMP	
1	+	C050-002030	1	OUTER PIPE COMP	
2	++	C500-000700	1	OUTER PIPE	
3	++	C501-000010	1	BUSH	
8	+	X505-003460	1	LABEL INST	
4		C504-000890	1	MAIN SHAFT ASSY	
5	+	C504-000900	1	MAIN SHAFT	
6	+	V145-000210	1	GROMMET	
7		C525-000050	1	CAP,MAIN PIPE	

# SBA-AHS2422 3 TOOLS



KEY	LV	PART NUMBER	Q'TY	DESCRIPTION	REMARKS
1		P021-029100	1	TOOL SET	
2	+	X602-000190	1	PLUG WRENCH	
3	+	X605-000100	1	TOOL,L WRENCH	
4	+	X600-000020	1	SPANNER	
5	+	X705-000130	1	POLY BAG	
6		X505-003490	1	LABEL CAUTION	

**Index**

<b>Patrs Number</b>	<b>Key No.</b>	<b>Patrs Number</b>	<b>Key No.</b>	<b>Patrs Number</b>	<b>Key No.</b>
433022-06460	1 - 41	V307-000250	1 - 13		
433022-06460	1 - 45	V340-000300	1 - 33		
900105-04010	1 - 25	V347-000030	1 - 15		
900105-05012	1 - 35	V355-000440	1 - 19		
900603-00006	1 - 14	V452-000710	1 - 52		
900706-00009	1 - 30	V541-000220	1 - 22		
900800-00609	1 - 28	V650-000530	1 - 18		
900800-06001	1 - 6	X041-000311	1 - 36		
900804-00609	1 - 29	X411-001151	1 - 38		
900804-06001	1 - 7	X425-000820	1 - 37		
91463-06020	1 - 54	X431-000080	1 - 42		
92423-12000	1 - 8	X495-000410	1 - 55		
92424-24000	1 - 31	X505-003460	2 - 8		
92424-28000	1 - 9	X505-003490	3 - 6		
92507-03150	1 - 32	X600-000020	3 - 4		
93002-16150	1 - 17	X602-000190	3 - 2		
C050-002030	2 - 1	X605-000100	3 - 3		
C403-000480	1 - 53	X705-000130	3 - 5		
C465-000020	1 - 46				
C500-000700	2 - 2				
C501-000010	2 - 3				
C504-000890	2 - 4				
C504-000900	2 - 5				
C525-000050	2 - 7				
C531-000700	1 - 26				
C532-000220	1 - 20				
C534-000660	1 - 3				
C534-000670	1 - 4				
C539-000080	1 - 11				
C542-000040	1 - 10				
C629-000040	1 - 47				
C661-000070	1 - 49				
C661-000080	1 - 50				
P021-028810	1 - 2				
P021-029100	3 - 1				
P021-029150	2 - 9				
P021-035780	1 - 5				
V110-000140	1 - 23				
V145-000210	2 - 6				
V150-002460	1 - 21				
V152-002390	1 - 43				
V187-000080	1 - 24				
V203-000560	1 - 34				
V204-000570	1 - 39				
V204-000580	1 - 51				
V254-000100	1 - 48				
V263-000330	1 - 44				
V264-000170	1 - 16				
V304-000240	1 - 40				

# YAMABIKO CORPORATION

7-2 SUEHIROCHO 1-CHOME, OHME, TOKYO 198-8760, JAPAN  
PHONE: 81-428-32-6118. FAX: 81-428-32-6145.

**shindaiwa<sup>®</sup>**



12Bb  
No. 03-273