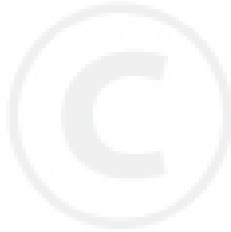
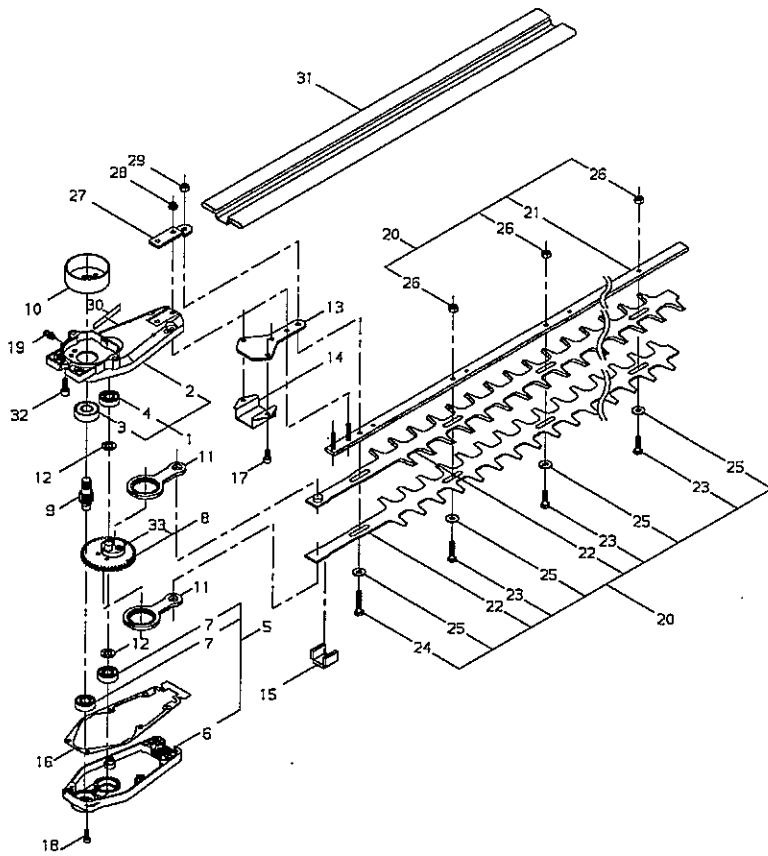


DH230 EPA2-30"
Ref.3



DH230 EPA2-30

Ref.3

Key	Lv	Part no.	Part description	Quantity
1		P021-018920	GEAR CASE COMP	1
2	•	C531-000690	GEAR CASE	1
3	•	900812-06201	BEARING, BALL 6201	1
4	•	94044-06000	BEARING BALL	1
5		P021-018930	CASE COVER COMP	1
6	•	C539-000070	CASE COVER	1
7	•	94044-06000	BEARING BALL	2
8		V060-000080	GEAR COMP	1
9		V655-000050	PINION SHAFT	1
10		A556-000930	CLUTCH DRUM	1
11		C532-000210	ROD COMP	2
12		V307-000240	COLLAR	2
13		V150-002430	PLATE	1
14		C538-000140	PLATE	1
15		V541-000210	PACKING	1
16		V110-000130	GASKET CASE	1
17		900105-05012	BOLT, H.S. 5*12	2
18		900105-04014	BOLT, H.S. 4*14	6
19		V187-000080	GREASE NIPPLE	1
20		X041-000060	CUTTER ASSY 24"	1
20		X041-000100	CUTTER ASSY 30"	1
21	•	X425-000600	GUIDE BAR 24"	1
21	•	X425-000650	GUIDE BAR 30"	1
22	•	X411-000790	BLADE 24"	2
22	•	X411-000930	BLADE 30"	2
23	•	V204-000570	BOLT	3
23	•	V204-000570	BOLT	5
24	•	V204-000510	BOLT	1
25	•	V304-000240	WASHER	4
25	•	V304-000240	WASHER	6
26	•	V264-000150	LOCK NUT	3
26	•	V264-000150	LOCK NUT	5
27		V152-002330	HOLDER	1
28		V263-000330	FLANGE NUT	2
29		V264-000150	LOCK NUT	1
30		X505-003390	LABEL CAUTION	1

DH230 EPA2-30

Ref.3

Key	Lv	Part no.	Part description	Quantity
31		X495-000340	BLADE COVER	1
31		X495-000370	BLADE COVER	1
32		900105-06016	BOLT, H.S. 6*16	3
33		V203-001100	BOLT	4

