

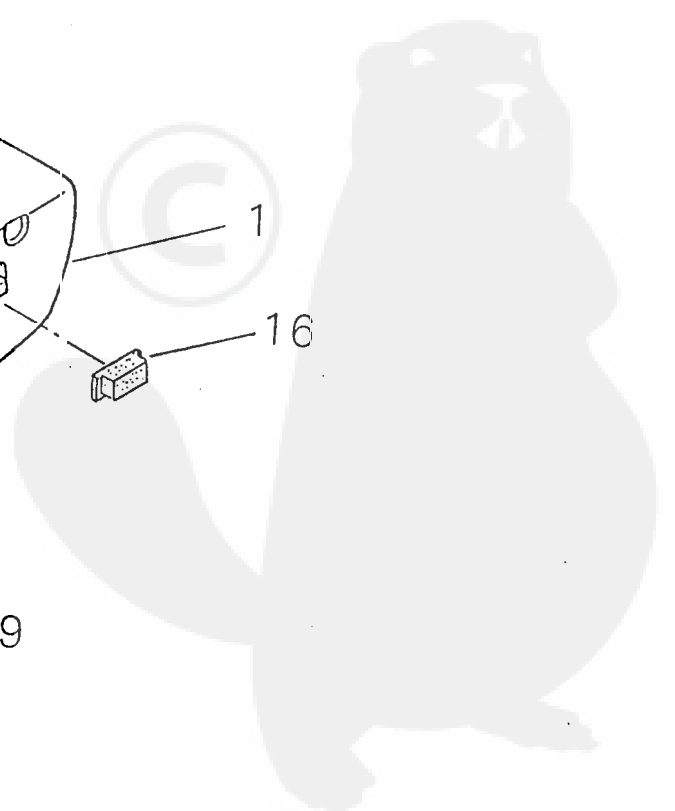
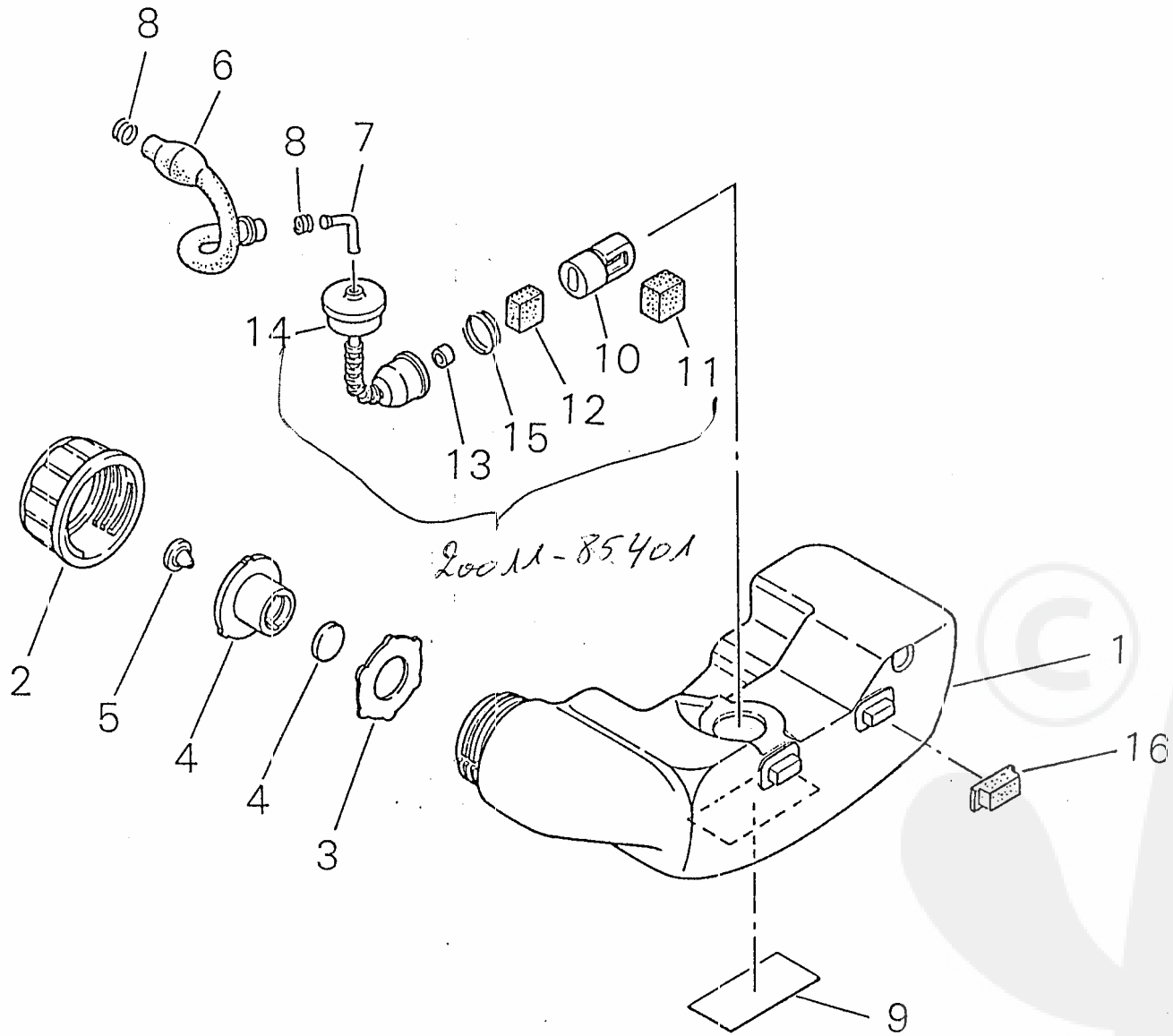
PRICE:(ST)

Ref. No	Part No.	Part Name	Q'ty	Unit Price	Remarks
6-	20040-81002	CARBURETOR ASSY	1		
	20040-81022	* CARBURETOR BODY SUB ASSY	1		
1	72920-81130	** ADJUSTER CAP	1		
2	20020-81110	** CABLE ADJUSTER	1		
3	20000-81260	** LOCK NUT	1		
4	72920-81120	** BODY CAP	1		
5	20011-81140	** SPRING	1		
6	20000-81150	** SPRING RECEIVE	1		
7	20040-81171	** JET NEEDLE	1		
8	20040-81181	** THROTTLE VALVE	1		
10	20000-81310	** SLOW STOP SCREW	1		
11	20000-81320	** SPRING	1		
12	20011-81351	** ADJUST SCREW	1		
13	20011-81360	** SPRING	1		
14	20040-81410	** NEEDLE JET	1		
15	20011-81420	** HOLDER	1		
16	20040-81430	** SPRING	1		
17	20000-81441	** NEEDLE VALVE	1		
18	20011-81450	** LEVER	1		
19	20011-81460	** PIN	1		
20	20011-81470	** SCREW	1		
21	20011-81510	** GASKET	1		
22	20011-81520	** DIAPHRAGM	1		
23	20011-81530	** COVER DIAPHRAGM	1		
24	20000-81540	** SCREW	4		
25	20011-81550	** ORVER FLOW VALVE	1		
26	20011-81563	** TICKLER LEVER	1		
27	20011-81573	** SPRING	1		
28	20011-81581	** SCREW	1		
29	20011-81590	** COLLAR	1		
30	20011-81621	** DIAPHRAGM	1		
31	20011-81630	** GASKET	1		
32	20011-81642	** PUMP BODY	1		
33	20000-81650	** SCREW	4		
34	20020-81660	** PUMP VALVE	1		
35	20040-81680	** SPRING	1		
	20040-81700	* AIR CLEANER SUB ASSY	1		
36	20040-81710	** CLEANER BODY	1		

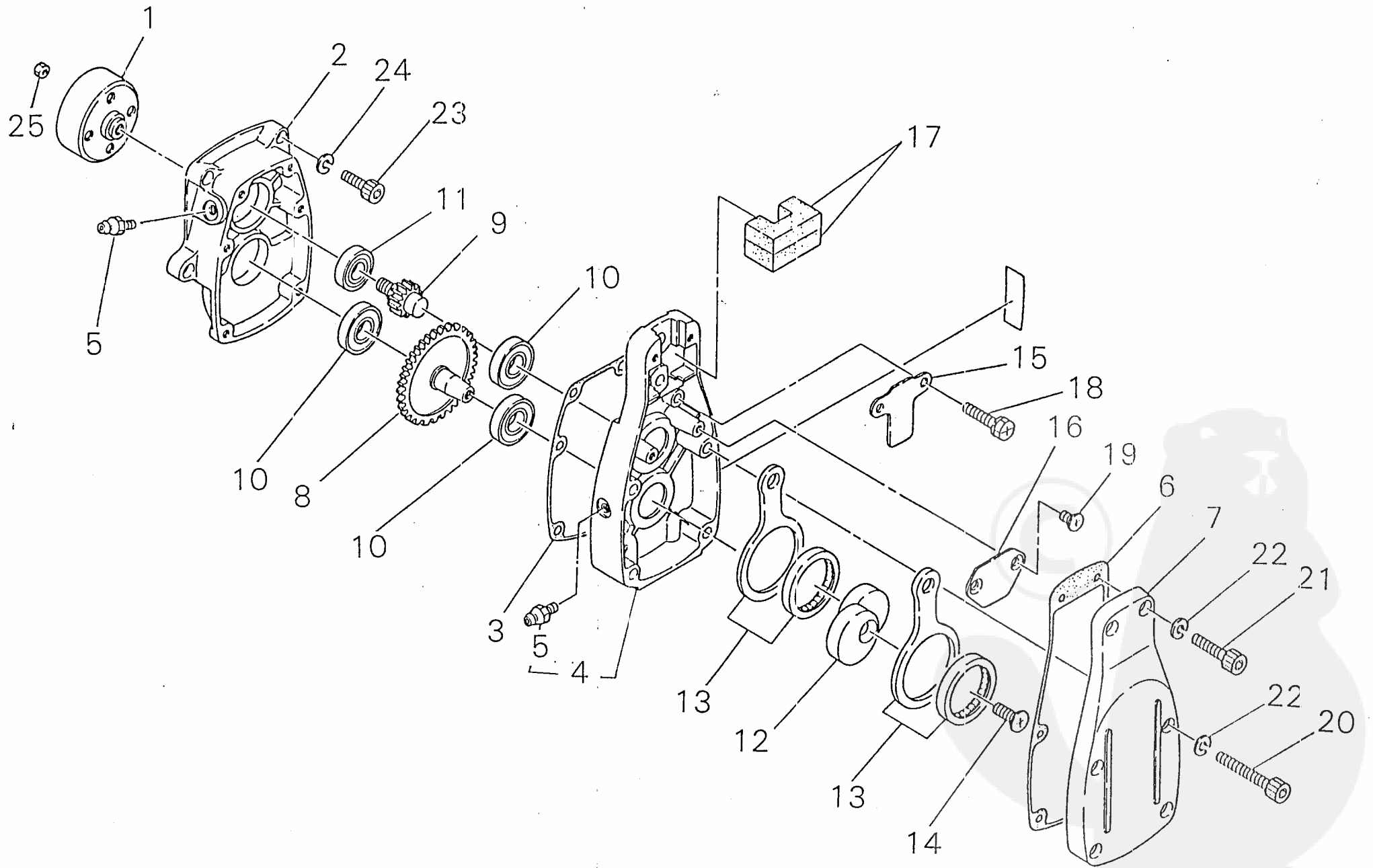
PARTS LIST  
SHINDAIWA  
(LI38 LIA0380P)

HT20/USA-20  
HT20/USA-30  
HT20/USA-40



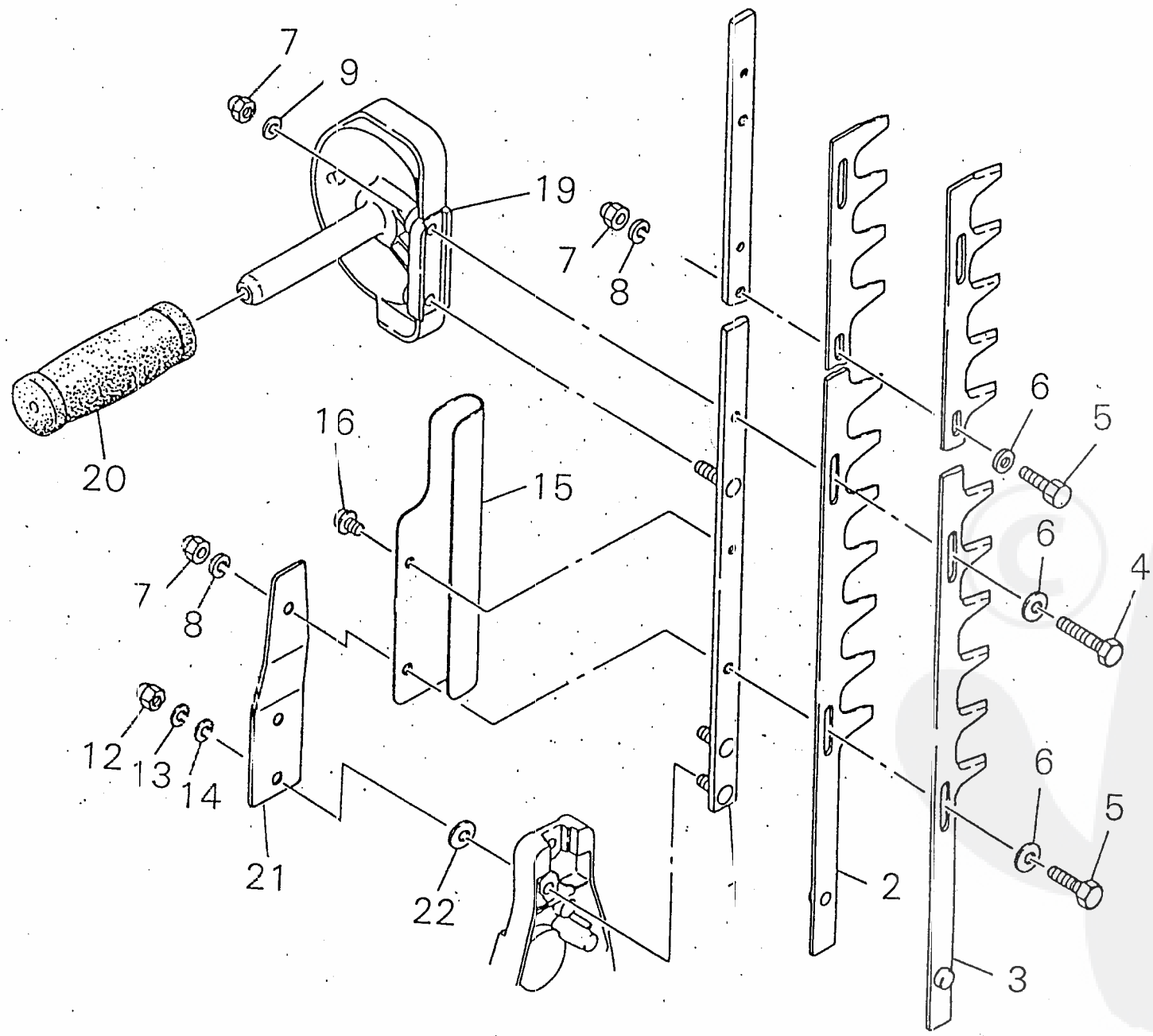












PRICE:(ST)

HT20/30 (81cm) CUTTER COMPLETE = S172910-13002

Ref. No	Part No.	Part Name	Q'ty	Unit Price	Remarks
9-	72914-13000	CUTTER ASSY	1		T20/USA-40
	72913-13000	CUTTER ASSY	1		T20/USA-20
	22910-13002	CUTTER ASSY	1		T20/USA-30
	72914-13100	• CUTTER SUB ASSY	1		T20/USA-40
	72910-13102	• CUTTER SUB ASSY	1		T20/USA-30
	22911-13100	• CUTTER SUB ASSY	1		T20/USA-20
1	72914-13110	•• GUIDE BAR	1		T20/USA-40
1	22911-13110	•• GUIDE BAR	1		T20/USA-20
1	22910-13110	•• GUIDE BAR	1		T20/USA-30
2	72914-13120	•• UPPER CUTTER	1		T20/USA-40
2	22911-13120	•• UPPER CUTTER	1		T20/USA-20
2	22910-13122	•• UPPER CUTTER	1		T20/USA-30
3	72914-13130	•• LOWER CUTTER	1		T20/USA-40
3	22911-13130	•• LOWER CUTTER	1		T20/USA-20
3	22910-13132	•• LOWER CUTTER <i>longer = 81 cm</i>	1		T20/USA-30
4	22910-13140	•• STEP BOLT L	1		
5	22910-13150	•• STEP BOLT S	4		
6	22910-13160	•• CUTTER WASHER	5		
7	11525-06020	•• U NUT	6		
8	22910-13170	•• SPRING WASHER	4		
9	01610-06080	•• WASHER	2		
12	22910-13210	• CAP NUT	2		
13	01600-06151	• SPRING WASHER	2		
14	01610-06080	• WASHER	2		
	22910-15200	PROTECTOR SUB ASSY #	1		
15	22910-15210	• PROTECTOR	1		
16	22910-15220	• SCREW PM SPW L	1		
	22910-15101	FRONT HANDLE COMP	1		
19	22910-15111	• FRONT HANDLE	1		
20	22910-15122	• GRIP	1		
21	72914-15410	HOLDER	1		T20/USA-40
22	72914-15420	WASHER	1		T20/USA-40

