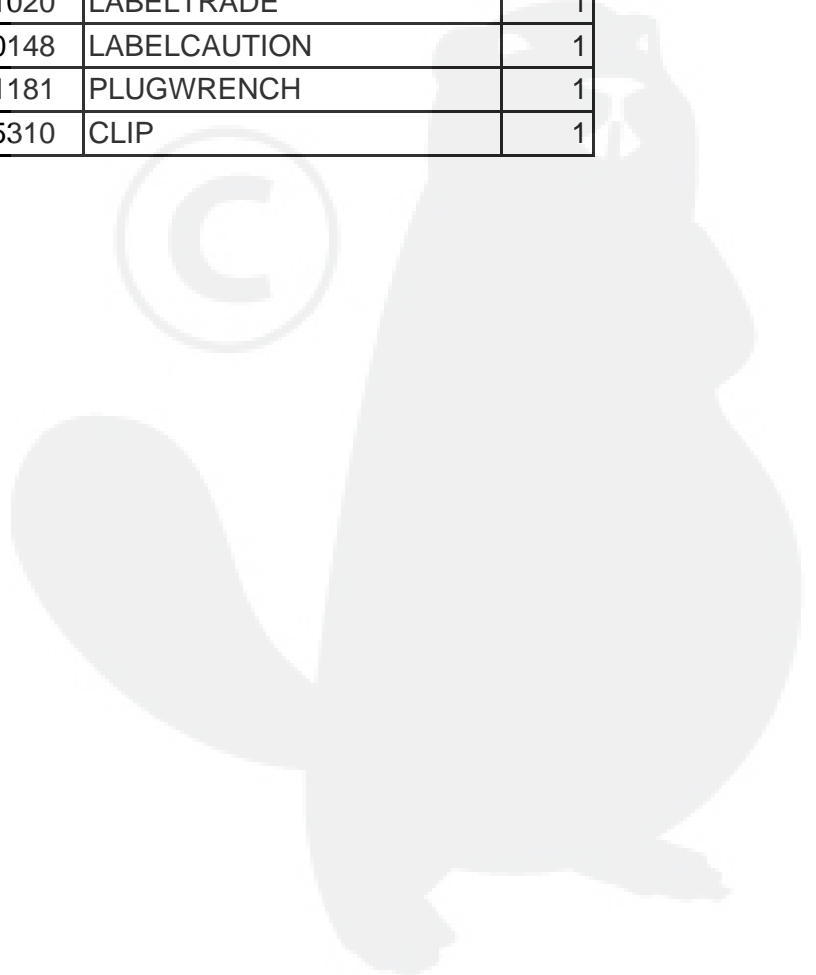
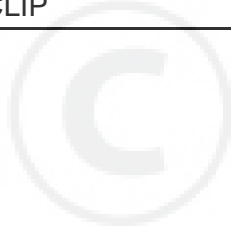
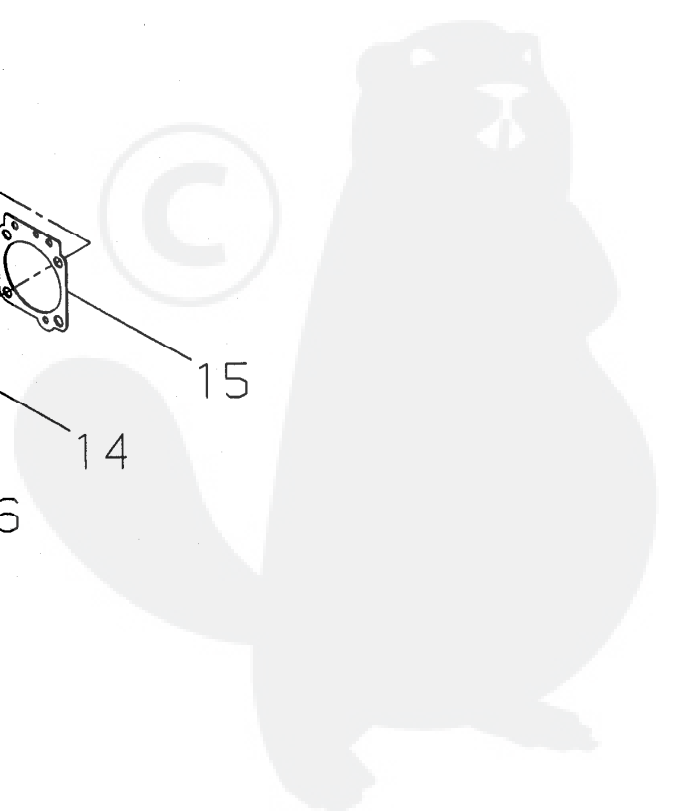
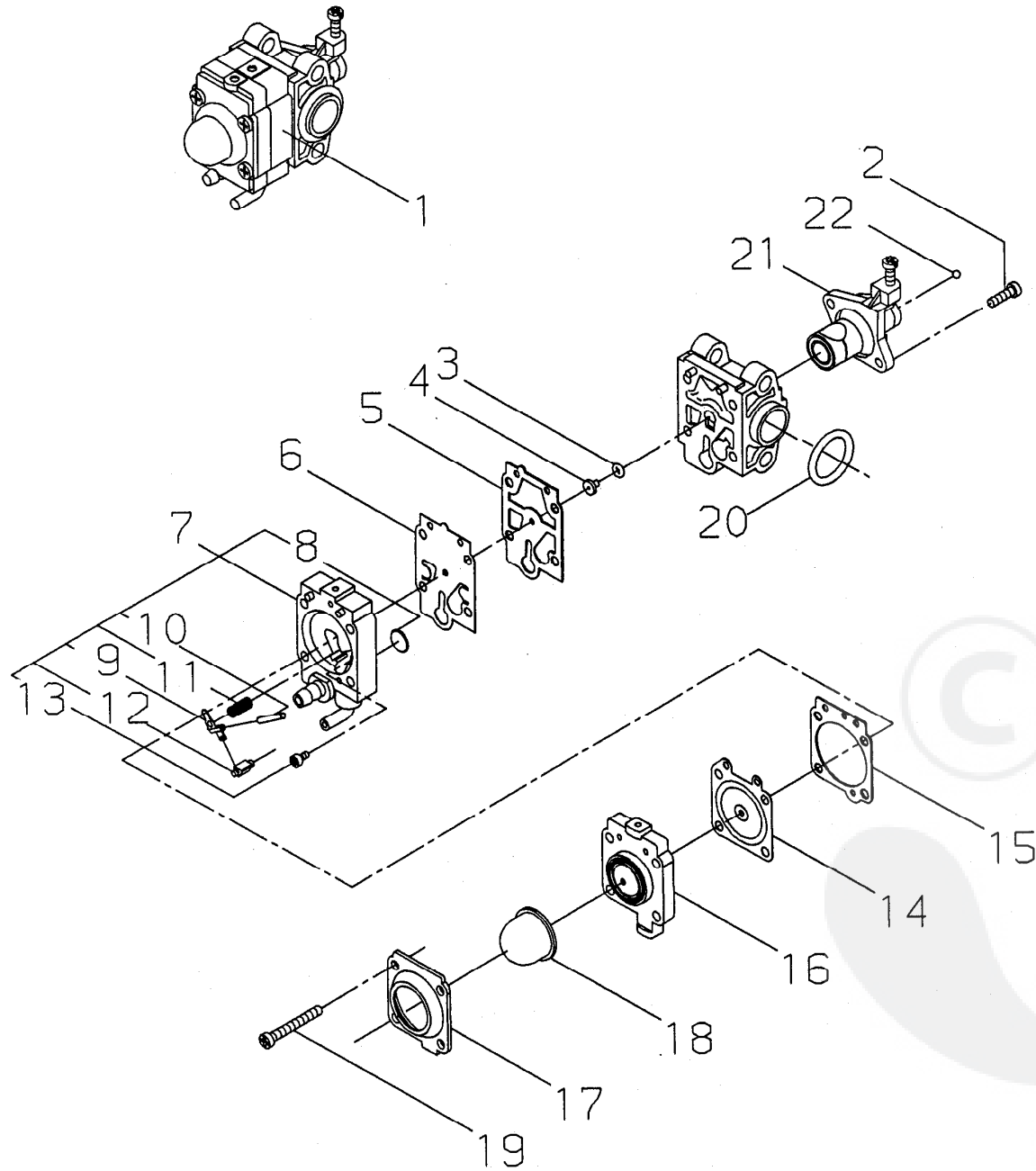


| Ref. No | Part No.    | Part Name         | Q`ty |
|---------|-------------|-------------------|------|
| 1- 1    | 20142-12110 | CYLINDER          | 1    |
| 2       | 20870-12120 | GASKET            | 1    |
| 3       | 11022-05250 | BOLTSPW           | 4    |
| 4       | 20140-12210 | INSULATOR         | 1    |
| 5       | 20140-12220 | GASKET            | 1    |
| 6       | 20011-12260 | NUT               | 2    |
| 7       | 20142-15110 | MUFFLER           | 1    |
| 8       | 68120-15210 | GASKET            | 1    |
| 9       | 01020-05400 | BOLT              | 2    |
| 10      | 01610-05080 | WASHER            | 4    |
| 11      | 20870-21100 | CRANKCASEPTOCOMP  | 1    |
| 12      | 12900-60010 | *BEARING          | 1    |
| 13      | 22150-21250 | *OILSEAL          | 1    |
| 14      | 20870-21301 | CRANKCASEMCOMP    | 1    |
| 15      | 12900-60010 | *BEARING          | 1    |
| 16      | 20000-21211 | *OILSEAL          | 1    |
| 17      | 12492-40080 | *ROLLER           | 2    |
| 18      | 01020-05250 | BOLT              | 3    |
| 19      | 68120-31010 | FANCOVERASSY      | 1    |
| 20      | 68120-31110 | *FANCOVER         | 1    |
| 21      | 70030-75120 | *REEL             | 1    |
| 22      | 70030-75130 | *RECOILSPRING     | 1    |
| 23      | 70030-75140 | *WASHER           | 1    |
| 24      | 20035-75170 | *SCREW            | 1    |
| 25      | 70030-75160 | *ROPE             | 1    |
| 26      | 20010-75190 | *STARTERKNOB      | 1    |
| 27      | 20010-75210 | *STOPPER          | 1    |
| 28      | 11060-05202 | BOLTADHESIVE      | 7    |
| 29      | 68120-32110 | CYLINDERCOVER     | 1    |
| 30      | 20011-72120 | GROMMET           | 1    |
| 31      | 11022-06160 | BOLTSPW           | 1    |
| 32      | 11060-04123 | BOLTADHESIVE      | 2    |
| 33      | 20142-41110 | PISTON            | 1    |
| 34      | 20142-41210 | PISTONRING        | 1    |
| 35      | 20142-41310 | PISTONPIN         | 1    |
| 36      | 70030-41320 | SNAPRING          | 2    |
| 37      | 20016-41330 | NEEDLEBEARING     | 1    |
| 38      | 20016-41340 | THRUSTWASHER      | 2    |
| 39      | 68120-42010 | CRANKSHAFT        | 1    |
| 40      | 68120-51020 | CLUTCHSHOESUBASSY | 1    |

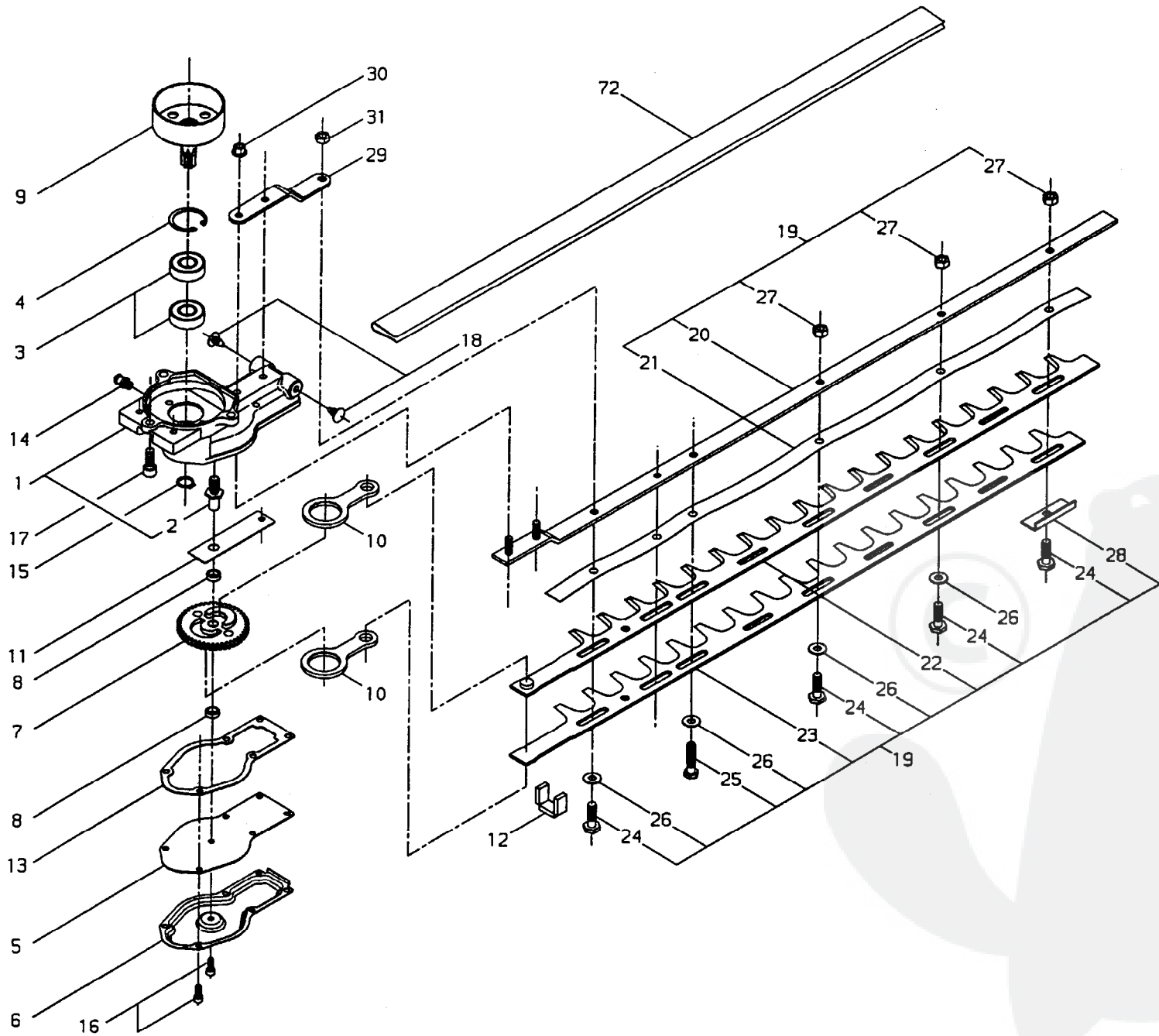
|    |             |                    |   |
|----|-------------|--------------------|---|
| 41 | 20035-51111 | *CLUTCHSHOE        | 2 |
| 42 | 20035-51221 | *CLUTCHSPRING      | 1 |
| 43 | 20142-51210 | *BOLT              | 2 |
| 44 | 20087-51231 | *SPRINGPLATE       | 2 |
| 45 | 22100-71430 | *WASHER            | 2 |
| 46 | 20870-51210 | CLUTCHBOSS         | 1 |
| 47 | 20870-51220 | BOLT               | 1 |
| 48 | 22100-71430 | WASHER             | 1 |
| 49 | 20870-71100 | ROTORSUBASSY       | 1 |
| 50 | 20870-71110 | *ROTOR             | 1 |
| 51 | 20870-71120 | *RATCHET           | 1 |
| 52 | 20870-71130 | *COILSPRING        | 1 |
| 53 | 68120-71020 | COILASSY           | 1 |
| 54 | 20016-71640 | *CORD              | 1 |
| 55 | 22102-72220 | PLUGCAP            | 1 |
| 56 | 20000-72230 | SPRINGSPARKPLUG    | 1 |
| 57 | 14063-08005 | INSTUBE            | 1 |
| 58 | 68120-71320 | INSULATOR          | 2 |
| 59 | 11024-04261 | BOLTSLPW           | 2 |
| 60 | 02403-03100 | KEY                | 1 |
| 61 | 20035-71220 | NUT                | 1 |
| 62 | 70064-72111 | TUBE               | 1 |
| 63 | 13000-13406 | SPARKPLUGBMR6A     | 1 |
| 64 | 20140-81700 | CLEANERBODYSUBASSY | 1 |
| 65 | 20140-81720 | *CHOKEPLATE        | 1 |
| 66 | 20140-81730 | *CHOKELEVER        | 1 |
| 67 | 20140-82210 | *FILTER            | 1 |
| 68 | 20140-81790 | *CLEANERCOVER      | 1 |
| 69 | 37019-82340 | SCREWPMSPW         | 1 |
| 70 | 20018-81721 | BACKPLATE          | 1 |
| 71 | 19404-00008 | LABELCHOKE         | 1 |
| 72 | 68120-82310 | GASKET             | 1 |
| 73 | 68120-81310 | CABLEHOLDER        | 1 |
| 74 | 11203-05658 | SCREWPM            | 2 |
| 75 | 68122-85010 | FUELTANKASSY       | 1 |
| 76 | 68120-85110 | *FUELTANK          | 1 |
| 77 | 20870-85121 | *FUELPIPE          | 1 |
| 78 | 20016-85400 | *FUELFILTER        | 1 |
| 79 | 20870-85132 | *PIPE              | 1 |
| 80 | 20087-85340 | *JOINT             | 2 |
| 81 | 20020-85540 | *CLIP              | 3 |
| 82 | 68120-85330 | *PIPE              | 1 |

|    |             |              |   |
|----|-------------|--------------|---|
| 83 | 20000-85350 | CLAMPB       | 1 |
| 84 | 62800-85020 | FUELCAPASSY  | 1 |
| 85 | 20040-85211 | *FUELCAP     | 1 |
| 86 | 20870-85160 | *PACKING     | 1 |
| 87 | 62800-85310 | *HOLDERCOMP  | 1 |
| 88 | 20040-85260 | VALVEFUEL    | 1 |
| 89 | 20870-85210 | PACKING      | 1 |
| 90 | 68125-91020 | LABELTRADE   | 1 |
| 91 | 19402-00148 | LABELCAUTION | 1 |
| 92 | 22000-91181 | PLUGWRENCH   | 1 |
| 93 | 37013-85310 | CLIP         | 1 |



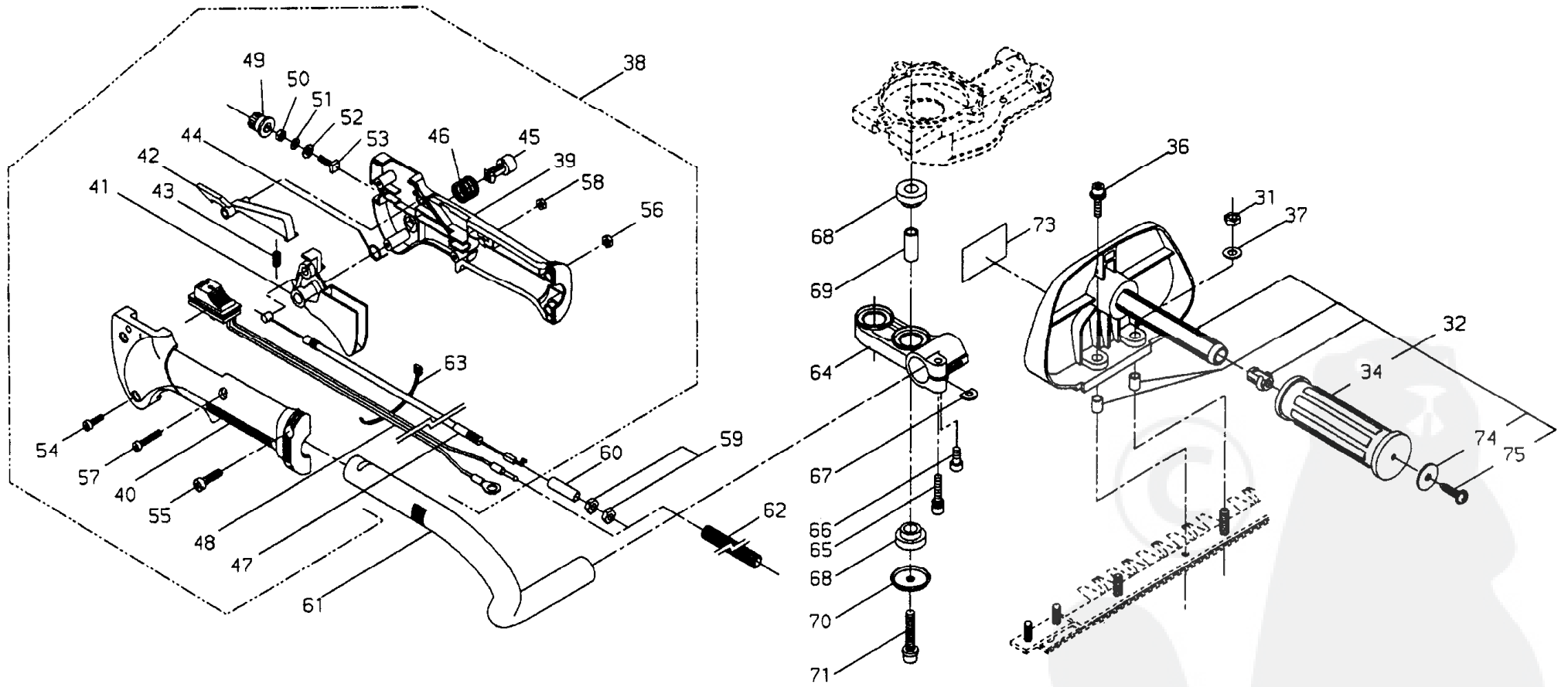


|      |             |                  |   |
|------|-------------|------------------|---|
| 2- 1 | 68120-81010 | CABURETORASSY    | 1 |
| 2    | 70064-81290 | *SCREW           | 2 |
| 3    | 70097-81220 | *ORING           | 1 |
| 4    | 70064-81230 | *MAINJET         | 1 |
| 5    | 70097-81310 | *GASKETPUMP      | 1 |
| 6    | 70097-81320 | *DIAPHRAGM       | 1 |
| 7    | 20016-81410 | *PUMPBODYCOMP    | 1 |
| 8    | 70030-81380 | **SCREEN         | 1 |
| 9    | 22100-81230 | **LEVER          | 1 |
| 10   | 22100-81250 | **PIN            | 1 |
| 11   | 20016-81270 | **SPRING         | 1 |
| 12   | 20036-81440 | **NEEDLEVALVE    | 1 |
| 13   | 20016-81450 | **SCREW          | 1 |
| 14   | 22100-81260 | *DIAPHRAGMASSY   | 1 |
| 15   | 20016-81280 | *GASKET          | 1 |
| 16   | 20016-81420 | *PUMPBASECOMP    | 1 |
| 17   | 20016-81510 | *PUMPCOVER       | 1 |
| 18   | 20036-81670 | *PRIMERPUMP      | 1 |
| 19   | 20016-81140 | *SCREW           | 1 |
| 20   | 20016-81250 | *ORING           | 1 |
| 21   | 68120-81320 | THROTTLEVALVESET | 1 |
| 22   | 20870-81230 | *BALL            | 1 |



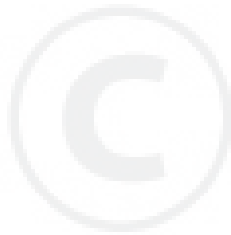
|      |             |              |   |
|------|-------------|--------------|---|
| 3- 1 | 68120-61110 | GEARCASE     | 1 |
| 2    | 68120-61320 | *MAINSHAFT   | 1 |
| 3    | 02006-06001 | BEARING      | 2 |
| 4    | 02432-28120 | SNAPRING     | 1 |
| 5    | 68120-61120 | CASECOVER    | 1 |
| 6    | 63840-61340 | COVER        | 1 |
| 7    | 68120-61130 | CAMGEAR      | 1 |
| 8    | 15401-10025 | COLLAR       | 2 |
| 9    | 68120-61160 | CLUTCHDRUM   | 1 |
| 10   | 68120-61170 | ROD          | 2 |
| 11   | 68120-61331 | PLATE        | 1 |
| 12   | 68120-61340 | PACKING      | 1 |
| 13   | 68120-61351 | GASKET       | 1 |
| 14   | 20870-61640 | GREASENIPPLE | 1 |
| 15   | 02430-12100 | SNAPRING     | 1 |
| 16   | 01020-04100 | BOLT         | 7 |
| 17   | 01020-06160 | BOLT         | 3 |
| 18   | 38120-61311 | CAP          | 2 |
| 19   | 68125-62010 | CUTTERASSY   | 1 |
| 20   | 18501-60005 | *GUIDEBAR    | 1 |
| 21   | 17540-00002 | *LEAFSPRING  | 1 |
| 22   | 18500-60002 | *BLADE       | 1 |
| 23   | 18500-60003 | *BLADE       | 1 |
| 24   | 20870-62110 | *BOLT        | 4 |
| 25   | 20870-62150 | *BOLT        | 1 |
| 26   | 20870-62131 | *WASHER      | 4 |
| 27   | 11525-06210 | *UNUT        | 3 |
| 28   | 38120-62310 | *PLATE       | 1 |
| 29   | 68120-62331 | HOLDER       | 1 |
| 30   | 11526-05212 | FLANGENUT    | 2 |
| 31   | 11524-06211 | UNUT         | 2 |

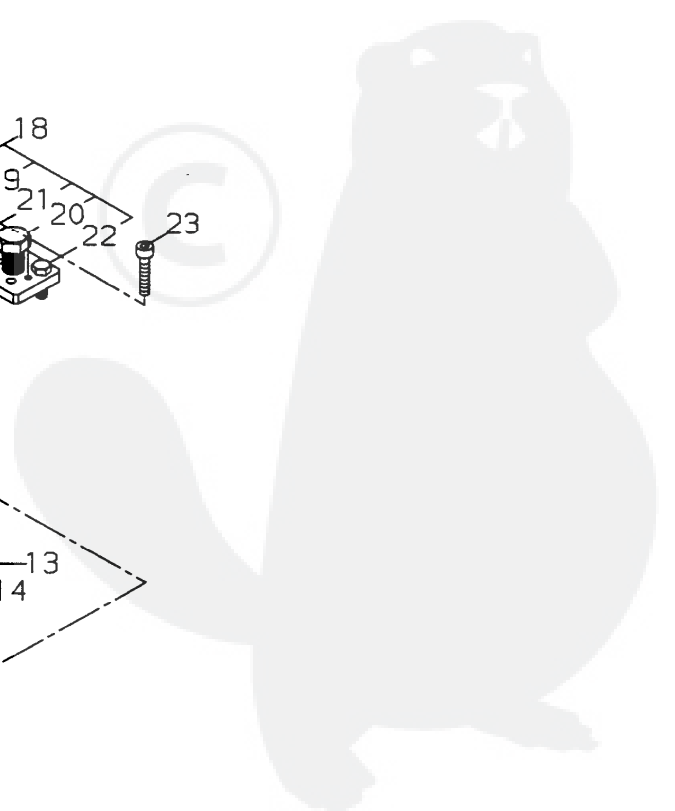
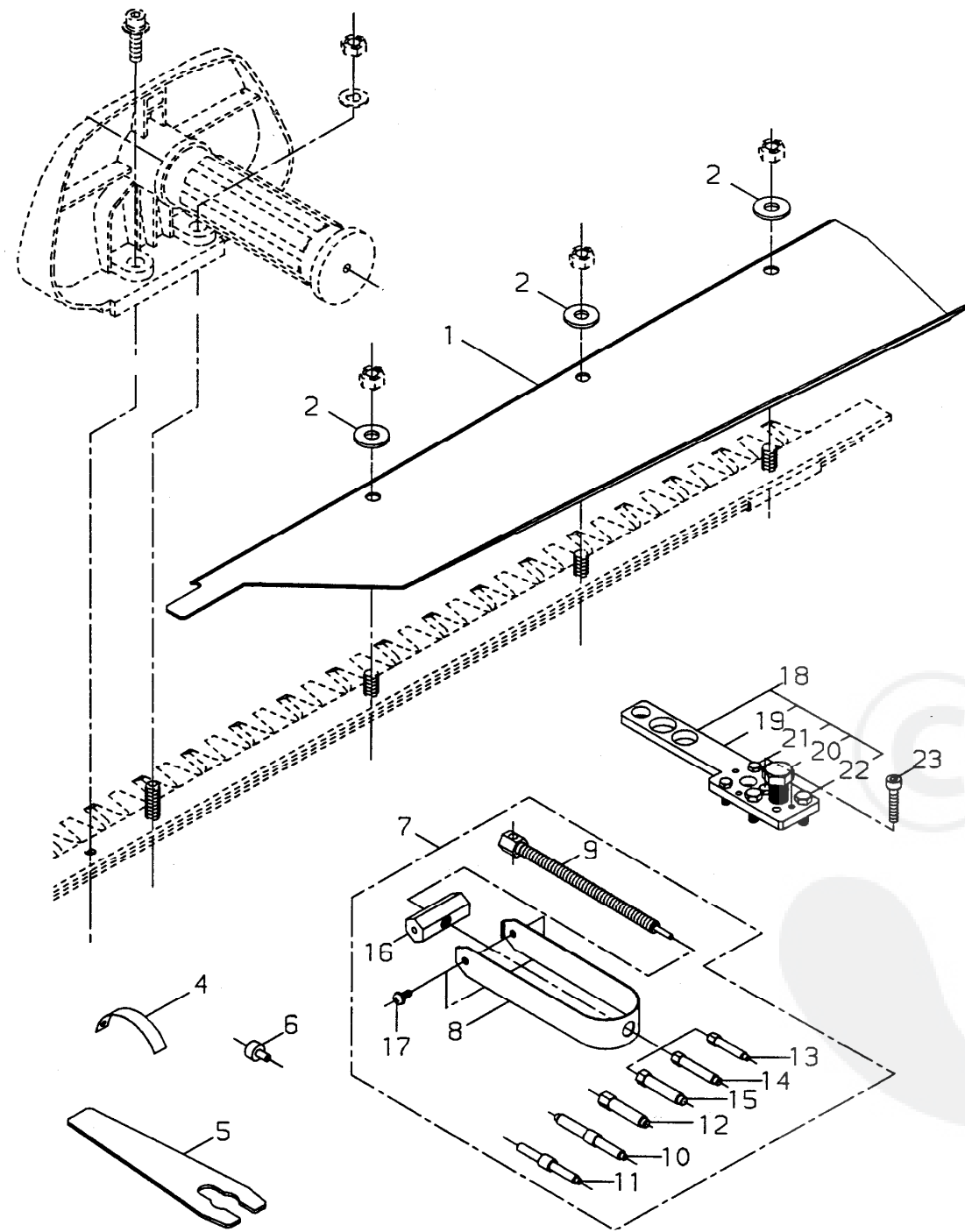




|      |             |                 |   |
|------|-------------|-----------------|---|
| 4-32 | 20870-64104 | FRONTHANDLECOMP | 1 |
| 33   | 20870-64113 | *FRONTHANDLE    | 1 |
| 34   | 20870-64122 | *GRIP           | 1 |
| 35   | 17901-06100 | *COLLAR         | 2 |
| 36   | 11060-05202 | BOLTADHESIVE    | 1 |
| 37   | 01613-06100 | WASHER          | 1 |
| 38   | 38122-65011 | REARHANDLEASSY  | 1 |
| 39   | 70871-65110 | *BODYRIGHT      | 1 |
| 40   | 70871-65120 | *BODYLEFT       | 1 |
| 41   | 70871-65130 | *LEVER          | 1 |
| 42   | 70871-65140 | *LOCKLEVER      | 1 |
| 43   | 70871-65150 | *COILSPRING     | 1 |
| 44   | 70871-65160 | *COILSPRING     | 1 |
| 45   | 70871-65170 | *BUTTON         | 1 |
| 46   | 70871-65180 | *COILSPRING     | 1 |
| 47   | 38122-65311 | *THROTTLECABLE  | 1 |
| 48   | 38122-65331 | *SWITCHCOMP     | 1 |
| 49   | 20870-65110 | *KNOB           | 1 |
| 50   | 20870-65120 | *NUT            | 1 |
| 51   | 20870-65320 | *SPRINGWASHER   | 1 |
| 52   | 20870-65141 | *WASHER         | 1 |
| 53   | 20870-65150 | *BOLT           | 1 |
| 54   | 70871-65310 | *SCREWTAPPING   | 3 |
| 55   | 70871-65320 | *SCREWPM        | 2 |
| 56   | 01501-05030 | *NUT            | 2 |
| 57   | 70871-65331 | *SCREW          | 1 |
| 58   | 70871-65340 | *NUT            | 1 |
| 59   | 01501-06041 | NUT             | 2 |
| 60   | 38122-65320 | PIPE            | 1 |
| 61   | 20870-65311 | PIPE            | 1 |
| 62   | 20019-83140 | TUBE            | 1 |
| 63   | 15210-12305 | BAND            | 1 |
| 64   | 20870-65412 | HANDLESTAY      | 1 |
| 65   | 11023-05250 | BOLTSW          | 1 |
| 66   | 01020-05120 | BOLT            | 1 |
| 67   | 22000-13420 | SHIM            | 1 |
| 68   | 20870-65421 | CUSHION         | 4 |
| 69   | 15401-10200 | COLLAR          | 2 |
| 70   | 20870-65430 | PLATE           | 2 |
| 71   | 11020-06350 | BOLTSW          | 2 |
| 72   | 19601-01508 | PLATECOVER      | 1 |
| 73   | 19402-00147 | LABELCAUTION    | 1 |

|    |             |         |   |
|----|-------------|---------|---|
| 74 | 15401-20011 | COLLAR  | 1 |
| 75 | 22160-32220 | SCREWPC | 1 |





|      |             |              |   |
|------|-------------|--------------|---|
| 5- 1 | 38120-62030 | PLATE        | 1 |
| 2    | 23510-64210 | WASHER       | 3 |
| 4    | 20000-96210 | AIRGAPGAUGE  | 1 |
| 5    | 20000-96411 | ROTORSPANNER | 1 |
| 6    | 20021-96420 | STOPPER      | 2 |
| 7    | 20021-96601 | PULLERASSY   | 1 |
| 8    | 20021-96611 | *PULLER      | 1 |
| 9    | 20021-96621 | *BOLT        | 1 |
| 10   | 20000-96631 | *GUIDEPIN    | 1 |
| 11   | 20035-96630 | *GUIDEPIN    | 1 |
| 12   | 20021-96630 | *GUIDEPIN    | 1 |
| 13   | 20021-96650 | *PINADAPTER  | 1 |
| 14   | 20021-96660 | *PINADAPTER  | 1 |
| 15   | 20021-96670 | *PINADAPTER  | 1 |
| 16   | 20000-96640 | *BOSS        | 1 |
| 17   | 01211-06120 | *SCREWSW     | 2 |
| 18   | 20000-96104 | PULLERASSY   | 1 |
| 19   | 20000-96114 | *LEVER       | 1 |
| 20   | 22100-96121 | *CENTERBOLT  | 1 |
| 21   | 20000-96130 | *BOLT        | 3 |
| 22   | 20000-96140 | *BOLT        | 2 |
| 23   | 01020-06350 | BOLT         | 2 |