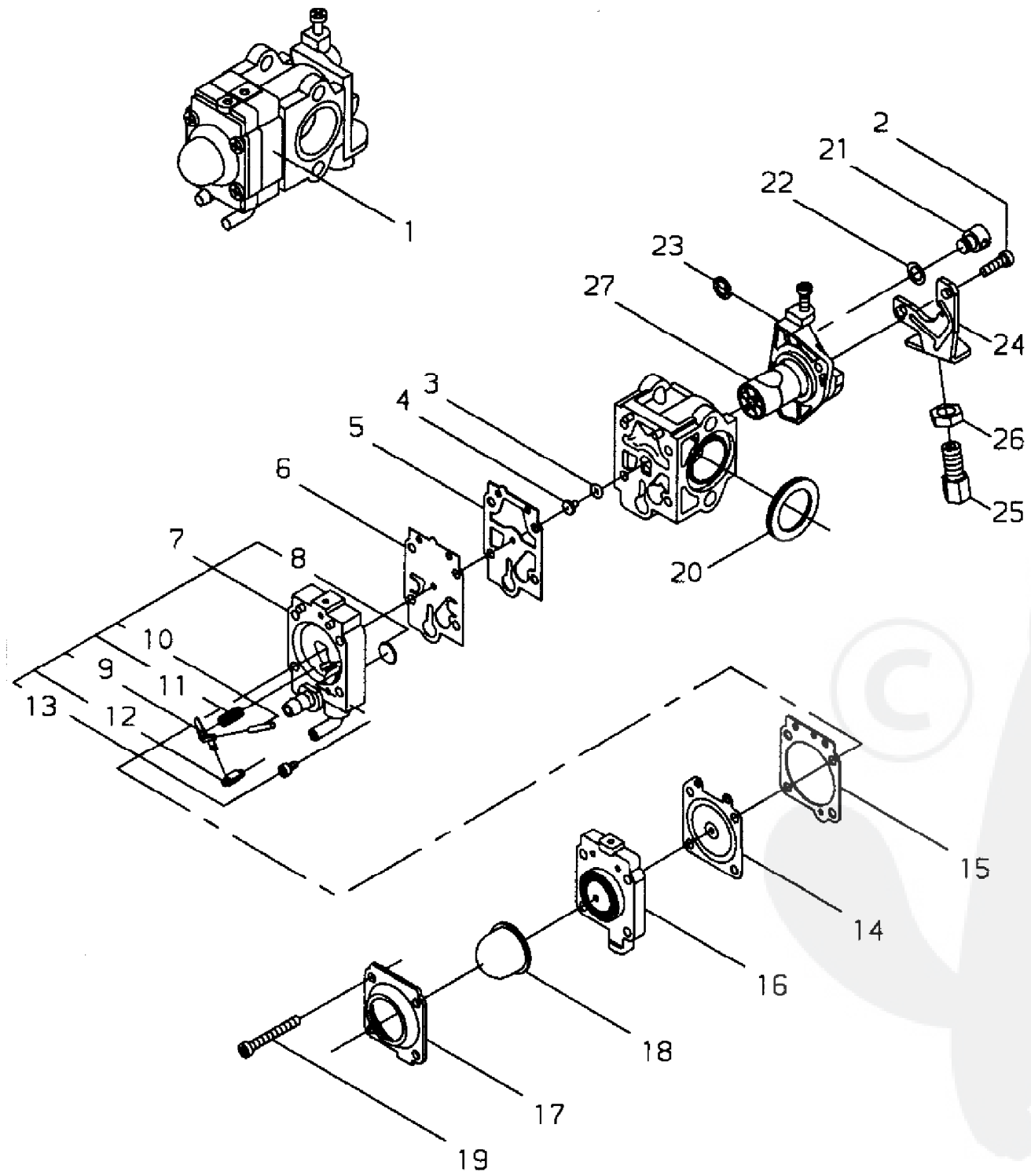


Ref. No	Part No.	Part Name	Q`ty	Remarks,Serial No.
1- 1	62809-12111	CYLINDER	1	
2	20870-12121	GASKET	1	
3	01020-05250	BOLT	5	
4	20016-12213	INSULATOR	1	
5	20870-12220	GASKET	1	
7	11022-05300	BOLTSW	2	
8	70871-15100	MUFFLERSUBASSY	1	
9	70871-15110	*MUFFLER	1	
10	70871-15120	*SPARKARRESTER	1	
11	01270-03062	*SCREWTAPPING	1	
12	20870-15122	GASKET	1	
13	01020-05500	BOLT	2	
14	01610-05080	WASHER	4	
15	01020-05120	BOLT	1	
16	20870-21100	CRANKCASEPTOCOMP	1	
17	12900-60010	*BEARING	1	
18	22150-21250	*OILSEAL	1	
19	20870-21301	CRANKCASEMCOMP	1	
20	12900-60010	*BEARING	1	
21	20000-21211	*OILSEAL	1	
22	12492-40080	*ROLLER	2	
23	20870-31102	FANCOVERSUBASSY	1	
24	20870-31112	*FANCOVER	1	
25	70030-75120	*REEL	1	
26	70030-75130	*RECOILSPRING	1	
27	70030-75140	*WASHER	1	
28	20035-75170	*SCREW	1	
29	70030-75160	*ROPE	1	
30	20010-75190	*STARTERKNOB	1	
31	20010-75210	*STOPPER	1	
32	11060-05202	BOLTADHESIVE	5	
33	20870-32111	CYLINDERCOVER	1	
34	20011-72120	GROMMET	1	
35	11060-04163	BOLTADHESIVE	2	
36	20870-33111	COVER	1	
37	20870-33120	KNOB	2	
38	23627-21220	COLLAR	2	
39	20075-41110	PISTON	1	
40	20000-41210	PISTONRING	2	
41	20075-41310	PISTONPIN	1	
42	70030-41320	SNAPRING	2	
43	37013-41230	NEEDLEBEARING	1	
44	37013-41240	THRUSTWASHER	2	
45	20870-42101	CRANKSHAFTCOMP	1	
46	70140-51012	CLUTCHSHOESUBASSY	1	
47	70140-51113	*CLUTCHSHOE	2	

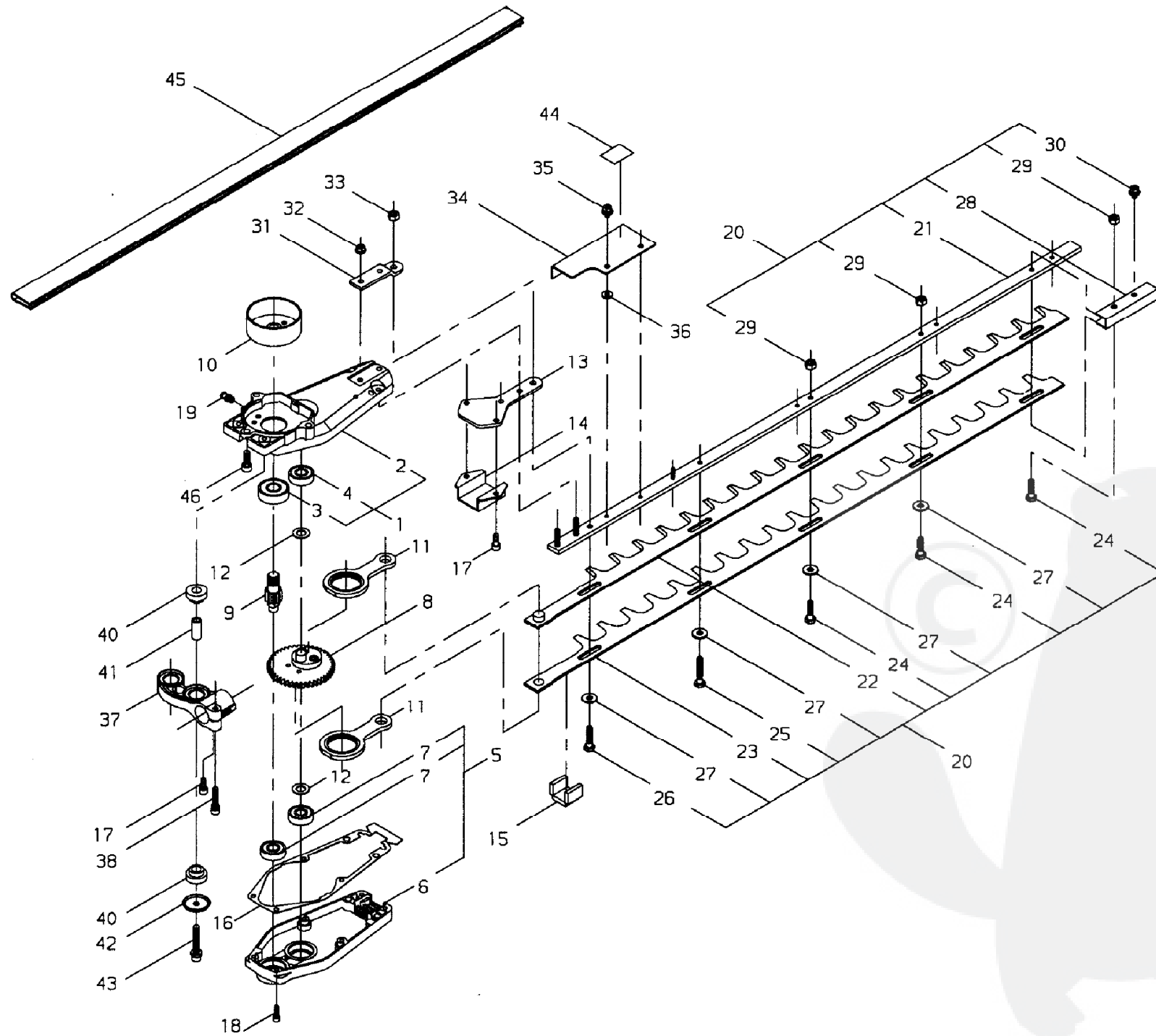
48	37013-51310	*COILSPRING	1
49	20087-51210	BOLT	2
50	20087-51231	SPRINGPLATE	2
51	22100-71430	WASHER	3
52	20870-51211	CLUTCHBOSS	1
53	20870-51220	BOLT	1
54	20870-71100	ROTOR SUBASSY	1
55	20870-71110	*ROTOR	1
56	20870-71120	*RATCHET	1
57	20870-71130	*COILSPRING	1
141	20870-98310	COILSET	1
58	20870-71202	*COILSUBASSY	1
59	20870-71222	**CORD	1
62	20016-71651	*TUBE	1
60	22160-72220	PLUGCAP	1
61	20000-72230	SPRINGSPARKPLUG	1
63	70030-71620	INSULATOR	2
64	11024-04261	BOLTSLPW	2
65	02403-03100	KEY	1
66	20035-71220	NUT	1
67	13000-13406	SPARKPLUGBMR6A	1
68	20870-82100	CLEANERBODY SUBASSY	1
69	20870-82111	*CLEANERBODY	1
71	20870-82120	*CHOKELEVER	1
72	20110-82140	*CHOKESHAFT	1
73	01600-06151	*SPRINGWASHER	1
74	11524-06211	*UNUT	1
75	20870-82210	FILTER	1
76	20870-82312	CLEANERCOVER	1
77	20870-82411	GASKET	1
78	01020-05550	BOLT	2
79	01600-05131	SPRINGWASHER	2
80	62800-85013	FUELTANKASSY	1
81	20870-85251	*FUELTANK	1
82	20870-85121	*FUELPIPE	1
83	20016-85400	*FUELFILTER	1
84	20870-85132	*PIPE	1
85	20087-85340	*JOINT	1
86	20020-85540	*CLIP	3
87	20870-85140	*PIPE	1
88	72933-85620	*JOINT	1
89	20000-85350	*CLAMPB	1
90	62800-85021	*FUEL CAPASSY	1
91	20870-85310	**FUEL CAP	1
92	20870-85160	**PACKING	1
93	62800-85310	**HOLDERCOMP	1
94	20870-85320	**VALVEFUEL	1
95	20870-85210	**PACKING	1

140	37013-85310	*CLIP	1
96	15401-10022	COLLAR	3
97	20870-85230	COLLAR	6
98	20870-85240	BOLT	3
99	19402-00148	LABELCAUTION	1
100	19404-00048	LABELDECIBEL	1
101	20870-91120	LABELTRADE	1
102	20870-64104	FRONTHANDLECOMP	1
103	20870-64122	*GRIP	1
138	15401-20011	*COLLAR	1
139	22160-32220	*SCREWPC	1
104	11526-05212	FLANGENUT	1
105	01613-06100	WASHER	1
106	11525-06210	UNUT	1
107	20870-65102	REARHANDLESUBASSY	1
108	70871-65111	*BODYRIGHT	1
109	70871-65121	*BODYLEFT	1
110	70871-65130	*LEVER	1
111	70871-65140	*LOCKLEVER	1
112	70871-65150	*COILSPRING	1
113	70871-65160	*COILSPRING	1
114	70871-65170	*BUTTON	1
115	70871-65180	*COILSPRING	1
116	70871-65191	*THROTTLECABLE	1
117	70871-65202	*SWITCHCOMP	1
118	20870-65110	*KNOB	1
119	20870-65120	*NUT	1
120	20870-65320	*SPRINGWASHER	1
121	20870-65141	*WASHER	1
122	20870-65150	*BOLT	1
123	70871-65311	*SCREWTAPPING	3
124	70871-65320	*SCREWPM	2
125	01501-05030	*NUT	2
126	70871-65331	*SCREW	1
127	70871-65340	*NUT	1
128	20870-65311	PIPE	1
129	20019-83140	TUBE	1
130	15210-12305	BAND	1
131	70871-92100	TOOLSET	1
132	22150-91410	*PLUGWRENCH	1
133	22150-91160	*DRIVER	1
134	09026-05001	*HEXAWRENCH	1
135	09026-04001	*HEXAWRENCH	1
136	22000-91120	*SPANNER	1
137	19639-01100	*POLYBAG	1

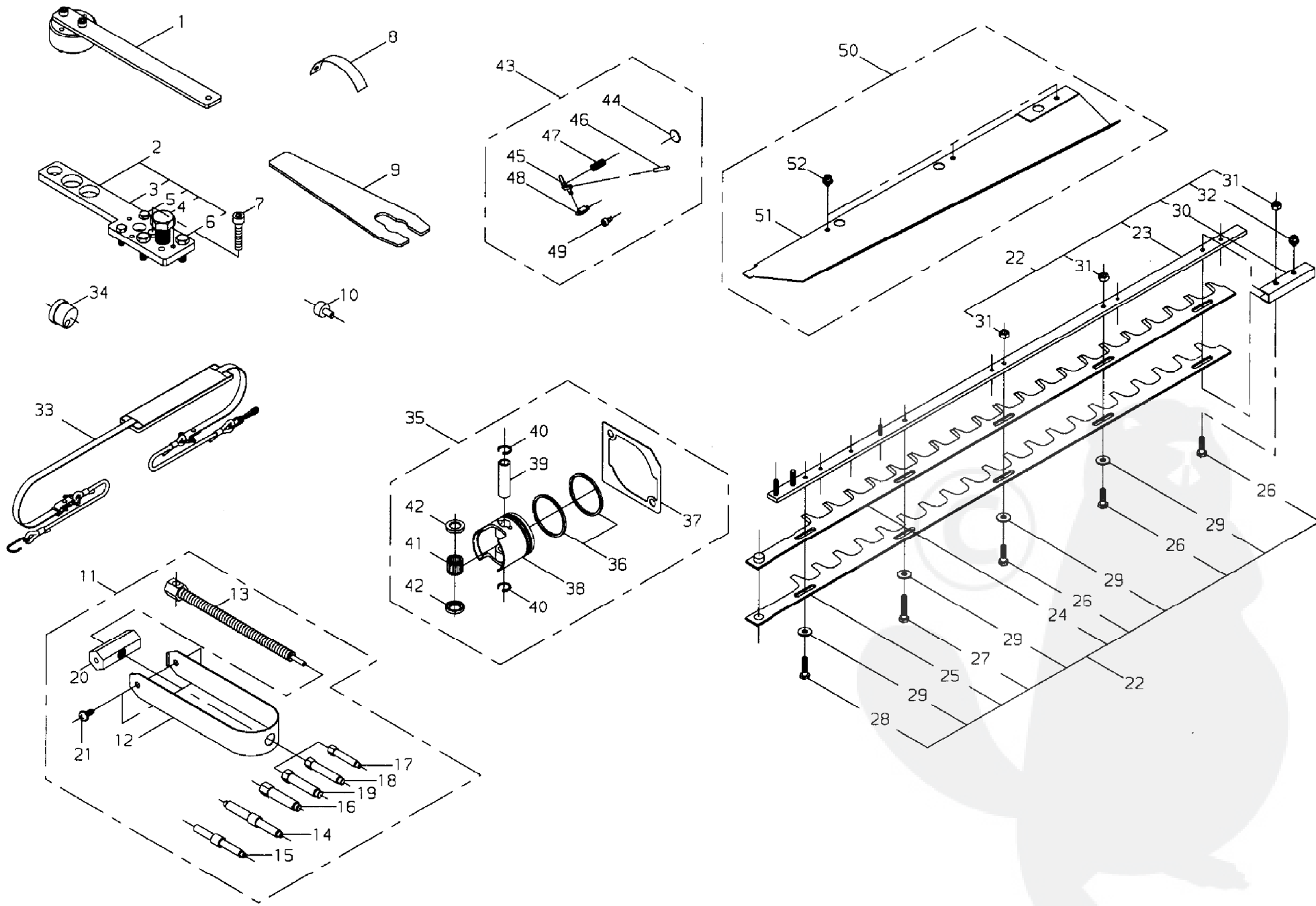


2- 1	70871-81100	CARBURETORSUBASSY	1	
2	70097-81290	*SCREW	2	
3	70097-81220	*ORING	1	
4	72934-81230	*MAINJET	1	
5	70097-81310	*GASKETPUMP	1	
6	70097-81320	*DIAPHRAGM	1	
7	72933-81410	*PUMPBODYASSY	1	
8	70030-81380	**SCREEN	1	
9	22100-81230	**LEVER	1	
10	22100-81250	**PIN	1	
11	72933-81270	**SPRING	1	
12	20036-81440	**NEEDLEVALVE	1	
13	20016-81450	**SCREW	1	
14	22100-81260	*DIAPHRAGMSSY	1	
15	20016-81280	*GASKET	1	
16	20016-81420	*PUMPBASECOMP	1	
17	20016-81510	*PUMPCOVER	1	
18	20036-81670	*PRIMERPUMP	1	
19	20016-81140	*SCREW	4	
20	72933-81250	*RINGGASKET	1	
21	72933-81450	*SWIVEL	1	
22	20089-81185	*WASHER	1	
23	20036-81195	*ERING	1	
24	20089-81130	*BRACKET	1	
25	20089-81110	*CABLEADJUSTER	1	
26	20036-81120	*NUT	1	
27	20870-81220	*VALVEASSY	1	





3- 1	20870-61103	GEARCASECOMP	1	
2	20870-61113	*GEARCASE	1	
3	02006-06201	*BEARING	1	
4	02002-06000	*BEARING	1	
5	20870-61203	CASECOVERCOMP	1	
6	20870-61213	*CASECOVER	1	
7	02002-06000	*BEARING	2	
8	20870-61301	GEARCOMP	1	
9	20870-61410	PINIONSHAFT	1	
10	20870-61420	CLUTCHDRUM	1	
11	20870-61500	RODCOMP	2	
12	15401-11008	COLLAR	2	
13	20870-61611	PLATE	1	
14	20870-61621	PLATE	1	
15	20870-61630	PACKING	1	
16	20870-61650	GASKETCASE	1	
17	01020-05120	BOLT	3	
18	01020-04140	BOLT	6	
19	20870-61640	GREASENIPPLE	1	
20	63810-62010	CUTTERASSY	1	
21	20870-62201	*GUIDEBARCOMP	1	
22	18500-70004	*BLADEUPPER	1	
23	18500-70005	*BLADELOWER	1	
24	20870-62110	*BOLT	3	
25	20870-62120	*BOLT	1	
26	20870-62150	*BOLT	1	
27	20870-62131	*WASHER	4	
28	20870-62141	*PLATE	1	
29	11525-06210	*UNUT	3	
30	20870-63120	*BOLTSLPW	1	
31	20870-62210	HOLDER	1	
32	11526-05212	FLANGENUT	2	
33	11525-06210	UNUT	1	
34	20870-63211	PROTECTOR	1	
35	20870-63120	BOLTSLPW	2	
36	23627-21220	COLLAR	2	
37	20870-65413	HANDLESTAY	1	
38	11023-05250	BOLT SW	1	
40	20870-65421	CUSHION	4	
41	15401-10200	COLLAR	2	
42	20870-65430	PLATE	2	
43	11020-06350	BOLT SW	2	
44	19402-00147	LABELCAUTION	1	
45	19601-01602	COVER	1	
46	01020-06160	BOLT	3	



4- 1	20870-98010	SPANNER	1	
2	20000-96104	PULLERASSY	1	
3	20000-96114	*LEVER	1	
4	22100-96121	*CENTERBOLT	1	
5	20000-96130	*BOLT	3	
6	20000-96140	*BOLT	2	
7	01020-06350	BOLT	2	
8	20000-96210	AIRGAPGAUGE	1	
9	20000-96411	ROTORSPANNER	1	
10	20021-96420	STOPPER	2	
11	20021-96601	PULLERASSY	1	
12	20021-96611	*PULLER	1	
13	20021-96621	*BOLT	1	
14	20000-96631	*GUIDEPIN	1	
15	20035-96630	*GUIDEPIN	1	
16	20021-96630	*GUIDEPIN	1	
17	20021-96650	*PINADAPTER	1	
18	20021-96660	*PINADAPTER	1	
19	20021-96670	*PINADAPTER	1	
20	20000-96640	*BOSS	1	
21	01211-06120	*SCREWSW	2	
22	20870-98040	CUTTERASSY	1	
23	20870-62201	*GUIDEBARCOMP	1	
24	18500-70002	*BLADE	1	
25	18500-70003	*BLADE	1	
26	20870-62110	*BOLT	3	
27	20870-62120	*BOLT	1	
28	20870-62150	*BOLT	1	
29	20870-62131	*WASHER	4	
30	20870-62141	*PLATE	1	
31	11525-06210	*UNUT	3	
32	20870-63120	*BOLTSLPW	1	
33	22910-97100	STRAPASSY	1	
34	20870-98050	HOLDER	1	
35	70870-98020	PISTONSET	1	
36	20000-41210	*PISTONRING	2	
37	20870-12121	*GASKET	1	
38	20075-41110	*PISTON	1	
39	20075-41310	*PISTONPIN	1	
40	70030-41320	*SNAPRING	2	
41	37013-41230	*NEEDLEBEARING	1	
42	37013-41240	*THRUSTWASHER	2	
43	70870-98030	VALVESET	1	
44	70030-81380	*SCREEN	1	
45	22100-81230	*LEVER	1	
46	22100-81250	*PIN	1	
47	72933-81270	*SPRING	1	
48	20036-81440	*NEEDLEVALVE	1	

49	20016-81450	*SCREW	1	
50	70870-98011	PLATESET	1	
51	20870-63111	*PLATE	1	
52	20870-63120	*BOLTSLPW	3	

