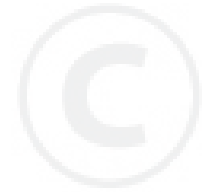
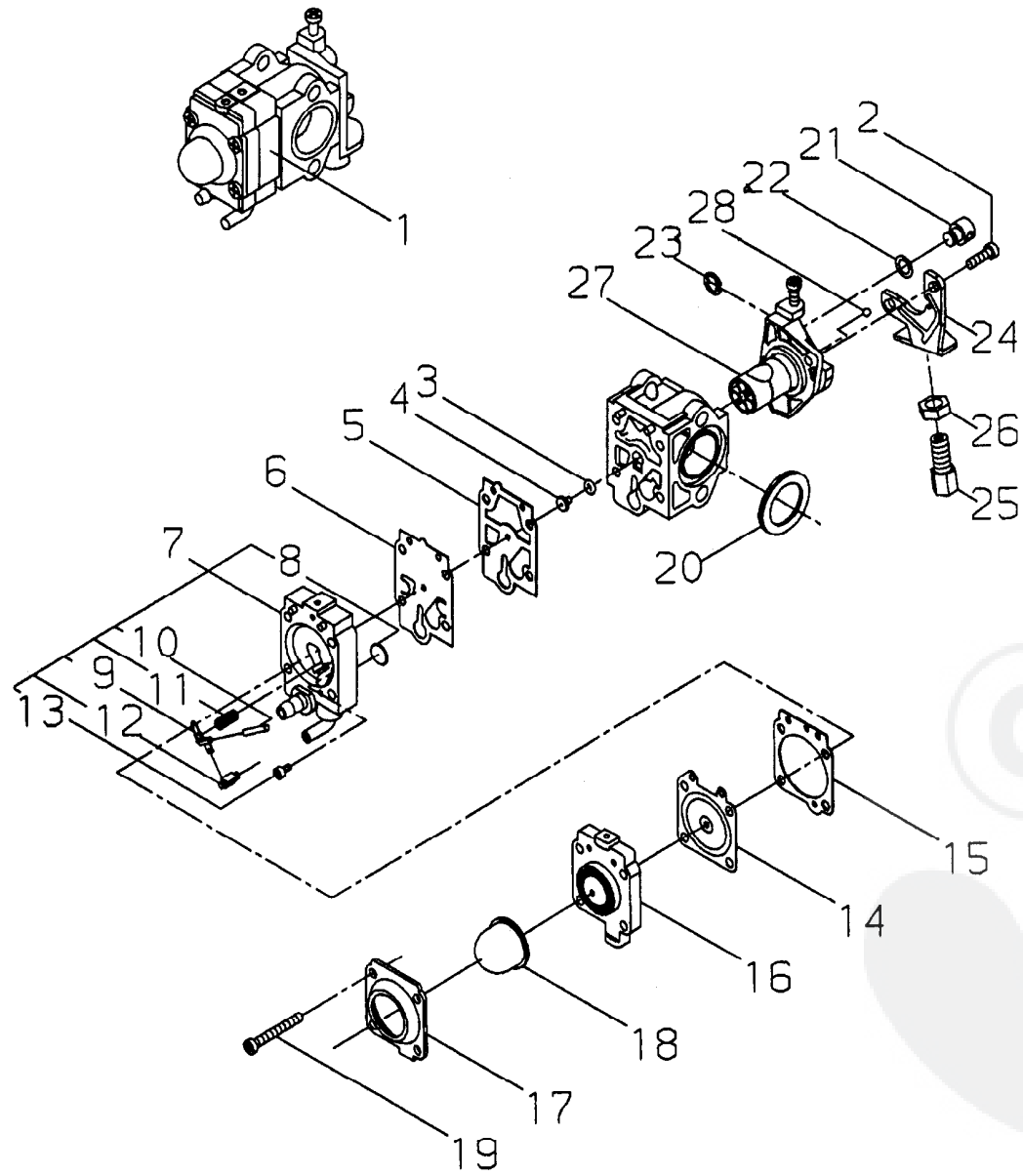


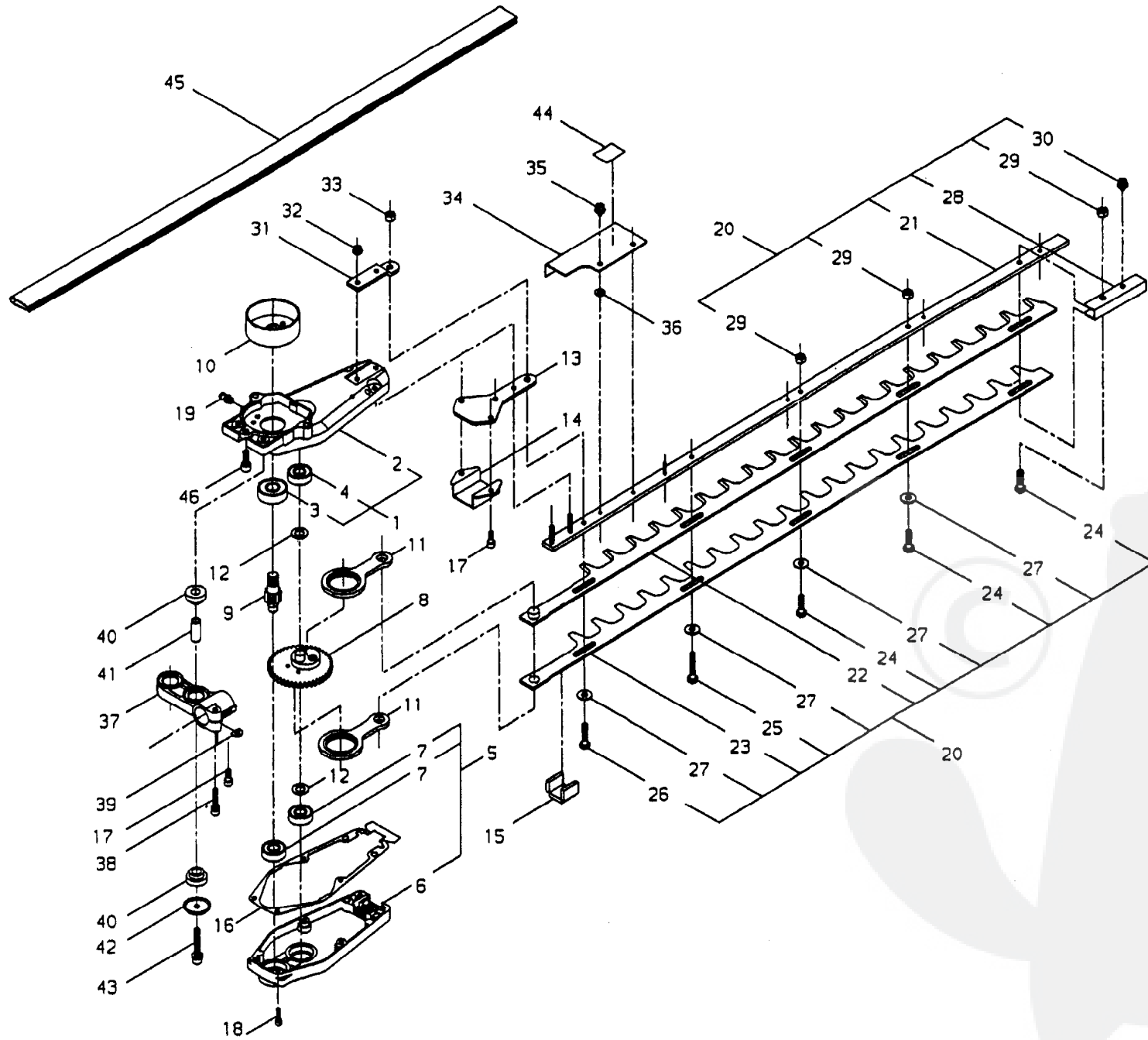
Ref. No	Part No.	Part Name	Q'ty
1- 1	62809-12111	CYLINDER	1
2	20870-12120	GASKET	1
3	01020-05250	BOLT	5
4	20016-12212	INSULATOR	1
5	20870-12220	GASKET	1
6	20011-12260	NUT	2
7	11022-05300	BOLTSW	2
8	20870-15110	MUFFLER	1
9	20870-15122	GASKET	1
10	01020-05500	BOLT	2
11	01610-05080	WASHER	4
12	01020-05120	BOLT	1
13	20870-21100	CRANKCASEPTOCOMP	1
15	12900-60010	*BEARING	1
16	22150-21250	*OILSEAL	1
17	20870-21301	CRANKCASEMCOMP	1
19	12900-60010	*BEARING	1
20	20000-21211	*OILSEAL	1
21	12492-40080	*ROLLER	2
22	20870-31102	FANCOVERSUBASSY	1
23	20870-31112	*FANCOVER	1
24	70030-75120	*REEL	5
25	70030-75130	*RECOILSPRING	1
26	70030-75140	*WASHER	1
27	20035-75170	*SCREW	1
28	70030-75160	*ROPE	1
29	20010-75190	*STARTERKNOB	1
30	20010-75210	*STOPPER	1
31	11060-05202	BOLTADHESIVE	5
32	20870-32111	CYLINDERCOVER	1
33	20011-72120	GROMMET	1
34	11060-04123	BOLTADHESIVE	2
35	20870-33111	COVER	1
36	20870-33120	KNOB	2
37	23627-21220	COLLAR	2
38	20075-41110	PISTON	1
39	20000-41210	PISTONRING	2
40	20075-41310	PISTONPIN	1
41	70030-41320	SNAPRING	2
42	70030-41330	NEEDLEBEARING	1
43	70030-41340	THRUSTWASHER	2
44	20870-42101	CRANKSHAFTCOMP	1
45	70140-51011	CLUTCHSHOESUBASSY	1
46	70140-51111	*CLUTCHSHOE	2
47	70140-51220	*CLUTCHSPRING	1
48	20087-51210	BOLT	2
49	20087-51231	SPRINGPLATE	2
50	22100-71430	WASHER	3
51	20870-51210	CLUTCHBOSS	1
52	20870-51220	BOLT	1
54	20870-71110	ROTOR	1
55	20870-71120	RATCHET	1

56	20870-71130	COILSPRING	1
57	20870-71202	COILSUBASSY	1
58	20870-71222	*CORD	1
59	22160-72220	PLUGCAP	1
60	20000-72230	SPRINGSPARKPLUG	1
61	20016-71651	TUBE	1
62	70030-71620	INSULATOR	2
63	11024-04261	BOLTSLPW	2
66	02403-03100	KEY	1
67	20035-71220	NUT	1
68	13000-13406	SPARKPLUGBMR6A	1
69	20870-82100	CLEANERBODYSUBASSY	1
70	20870-82111	*CLEANERBODY	1
71	20115-82121	*CHOKEPLATE	1
72	20870-82120	*CHOKELEVER	1
73	20110-82140	*CHOKESHAFT	1
74	01600-06151	*SPRINGWASHER	1
75	11524-06211	*UNUT	1
76	20870-82210	FILTER	1
77	20870-82312	CLEANERCOVER	1
78	20870-82411	GASKET	1
79	01020-05600	BOLT	2
80	01600-05131	SPRINGWASHER	2
81	20870-85102	FUELTANKSUBASSY	1
82	20870-85250	*FUELTANK	1
83	20870-85121	*FUELPIPE	1
84	20016-85400	*FUELFILTER	1
85	20870-85132	*PIPE	1
86	20087-85340	*JOINT	1
87	20020-85540	*CLIP	3
88	68120-85330	*PIPE	1
89	72933-85620	*JOINT	1
90	20000-85350	*CLAMPB	1
91	62800-85020	*FUELCAPASSY	1
92	20040-85211	**FUELCAP	1
93	20870-85160	**PACKING	1
94	62800-85310	**HOLDERCOMP	1
95	20040-85260	**VALVEFUEL	1
96	20870-85210	**PACKING	1
97	15401-10022	COLLAR	3
98	20870-85230	COLLAR	6
99	20870-85240	BOLT	3
100	19402-00148	LABELCAUTION	1
101	20870-91120	LABELTRADE	1
101	62801-91020	LABELTRADE	1
102	20870-64104	FRONTHANDLECOMP	1
104	20870-64122	*GRIP	1
105	17901-06100	*COLLAR	2
106	11526-05212	FLANGENUT	1
107	01613-06100	WASHER	1
108	11525-06210	UNUT	1
109	20870-65101	REARHANDLESUBASSY	1
110	70871-65110	*BODYRIGHT	1
111	70871-65120	*BODYLEFT	1

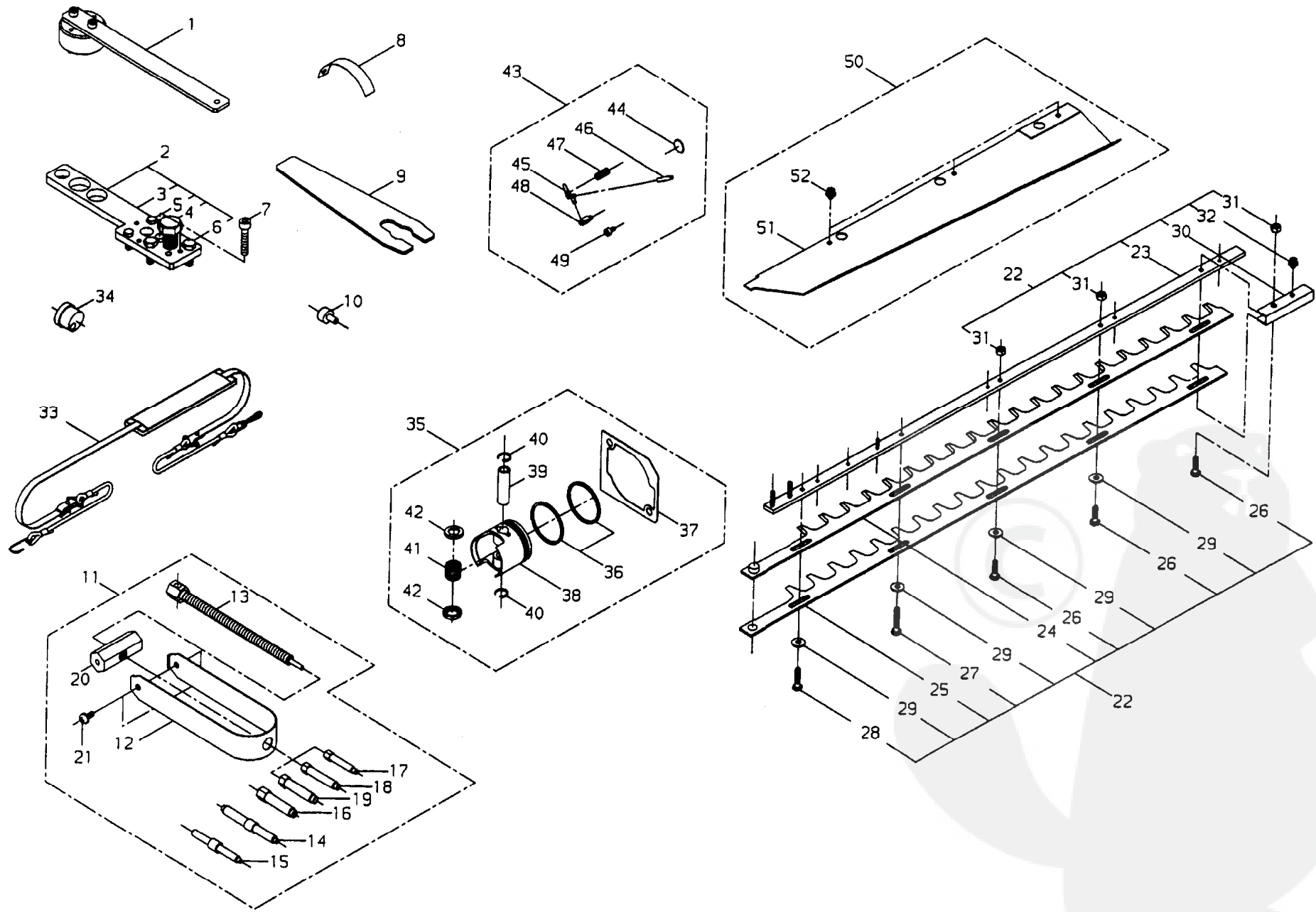
112	70871-65130	*LEVER	1
113	70871-65140	*LOCKLEVER	1
114	70871-65150	*COILSPRING	1
115	70871-65160	*COILSPRING	1
116	70871-65170	*BUTTON	1
117	70871-65180	*COILSPRING	1
118	70871-65191	*THROTTLECABLE	1
119	70871-65202	*SWITCHCOMP	1
120	20870-65110	*KNOB	1
121	20870-65120	*NUT	1
122	20870-65320	*SPRINGWASHER	1
123	20870-65141	*WASHER	1
124	20870-65150	*BOLT	1
125	70871-65310	*SCREWTAPPING	3
126	70871-65320	*SCREWPM	2
127	01501-05030	*NUT	2
128	70871-65331	*SCREW	1
129	70871-65340	*NUT	1
130	20870-65311	PIPE	1
131	20019-83140	TUBE	1
132	15210-12305	BAND	1
133	70871-92100	TOOLSET	1
134	22150-91410	*PLUGWRENCH	1
135	22150-91160	*DRIVER	1
136	09026-05001	*HEXAWRENCH	1
137	09026-04001	*HEXAWRENCH	1
138	22000-91120	*SPANNER	1
139	19639-01100	*POLYBAG	1
140	15401-20011	COLLAR	1
141	22160-32220	SCREWPC	1
142	37013-85310	CLIP	1



2- 1	70871-81100	CARBURETORSUBASSY	1
2	70097-81290	*SCREW	2
3	70097-81220	*ORING	1
4	72934-81230	*MAINJET	1
5	70097-81310	*GASKETPUMP	1
6	70097-81320	*DIAPHRAGM	1
7	72933-81410	*PUMPBODYASSY	1
8	70030-81380	**SCREEN	1
9	22100-81230	**LEVER	1
10	22100-81250	**PIN	1
11	72933-81270	**SPRING	1
12	20036-81440	**NEEDLEVALVE	1
13	20016-81450	**SCREW	1
14	22100-81260	*DIAPHRAGMASSY	1
15	20016-81280	*GASKET	1
16	20016-81420	*PUMPBASECOMP	1
17	20016-81510	*PUMPCOVER	1
18	20036-81670	*PRIMERPUMP	1
19	20016-81140	*SCREW	4
20	72933-81250	*RINGGASKET	1
21	72933-81450	*SWIVEL	1
22	20089-81185	*WASHER	1
23	20036-81195	*ERING	1
24	20089-81130	*BRACKET	1
25	20089-81110	*CABLEADJUSTER	1
26	20036-81120	*NUT	1
27	68120-81320	THROTTLEVALVESET	1
28	20870-81230	*BALL	1



3- 1	20870-61103	GEARCASECOMP	1
2	20870-61113	*GEARCASE	1
3	02006-06201	*BEARING	1
4	02002-06000	*BEARING	1
5	20870-61203	CASECOVERCOMP	1
6	20870-61213	*CASECOVER	1
7	02002-06000	*BEARING	2
8	20870-61301	GEARCOMP	1
9	20870-61410	PINIONSHAFT	1
10	20870-61420	CLUTCHDRUM	1
11	20870-61500	RODCOMP	2
12	15401-11008	COLLAR	2
13	20870-61611	PLATE	1
14	20870-61621	PLATE	1
15	20870-61630	PACKING	1
16	20870-61650	GASKETCASE	1
17	01020-05120	BOLT	3
18	01020-04140	BOLT	6
19	20870-61640	GREASENIPPLE	1
20	63810-62010	CUTTERSUBASSY	1
21	20870-62201	*GUIDEBARCOMP	1
22	18500-70004	*BLADEUPPER	1
23	18500-70005	*BLADELOWER	1
24	20870-62110	*BOLT	3
25	20870-62120	*BOLT	1
26	20870-62150	*BOLT	1
27	20870-62131	*WASHER	4
28	20870-62141	*PLATE	1
29	11525-06210	*UNUT	3
30	20870-63120	*BOLTSLPW	1
31	20870-62210	HOLDER	1
32	11526-05212	FLANGENUT	2
33	11525-06210	UNUT	1
34	20870-63211	PROTECTOR	1
35	20870-63120	BOLTSLPW	2
36	23627-21220	COLLAR	2
37	20870-65412	HANDLESTAY	1
38	11023-05250	BOLTSW	1
39	22000-13420	SHIM	1
40	20870-65421	CUSHION	4
41	15401-10200	COLLAR	2
42	20870-65430	PLATE	2
43	11020-06350	BOLTSW	2
44	19402-00147	LABELCAUTION	1
45	19601-01602	COVER	1
46	01020-06160	BOLT	3



4- 1	20870-98010	SPANNER	1
2	20000-96104	PULLERASSY	1
3	20000-96114	*LEVER	1
4	22100-96121	*CENTERBOLT	1
5	20000-96130	*BOLT	3
6	20000-96140	*BOLT	2
7	01020-06350	BOLT	2
8	20000-96210	AIRGAPGAUGE	1
9	20000-96411	ROTORSPANNER	1
10	20021-96420	STOPPER	2
11	20021-96601	PULLERASSY	1
12	20021-96611	*PULLER	1
13	20021-96621	*BOLT	1
14	20000-96631	*GUIDEPIN	1
15	20035-96630	*GUIDEPIN	1
16	20021-96630	*GUIDEPIN	1
17	20021-96650	*PINADAPTER	1
18	20021-96660	*PINADAPTER	1
19	20021-96670	*PINADAPTER	1
20	20000-96640	*BOSS	1
21	01211-06120	*SCREWSW	2
22	20870-98040	CUTTERASSY	1
23	20870-62201	*GUIDEBARCOMP	1
24	18500-70002	*BLADE	1
25	18500-70003	*BLADE	1
26	20870-62110	*BOLT	3
27	20870-62120	*BOLT	1
28	20870-62150	*BOLT	1
29	20870-62131	*WASHER	4
30	20870-62141	*PLATE	1
31	11525-06210	*UNUT	3
32	20870-63120	*BOLTSLPW	1
33	22910-97100	STRAPASSY	1
34	20870-98050	HOLDER	1
35	70870-98020	PISTONSET	1
36	20000-41210	*PISTONRING	2
37	20870-12120	*GASKET	1
38	20075-41110	*PISTON	1
39	20075-41310	*PISTONPIN	1
40	70030-41320	*SNAPRING	2
41	70030-41330	*NEEDLEBEARING	1
42	70030-41340	*THRUSTWASHER	2
43	70870-98030	VALVESET	1
44	70030-81380	*SCREEN	1
45	22100-81230	*LEVER	1
46	22100-81250	*PIN	1
47	72933-81270	*SPRING	1
48	20036-81440	*NEEDLEVALVE	1
49	20016-81450	*SCREW	1
50	70870-98011	PLATESET	1
51	20870-63111	*PLATE	1
52	20870-63120	*BOLTSLPW	3