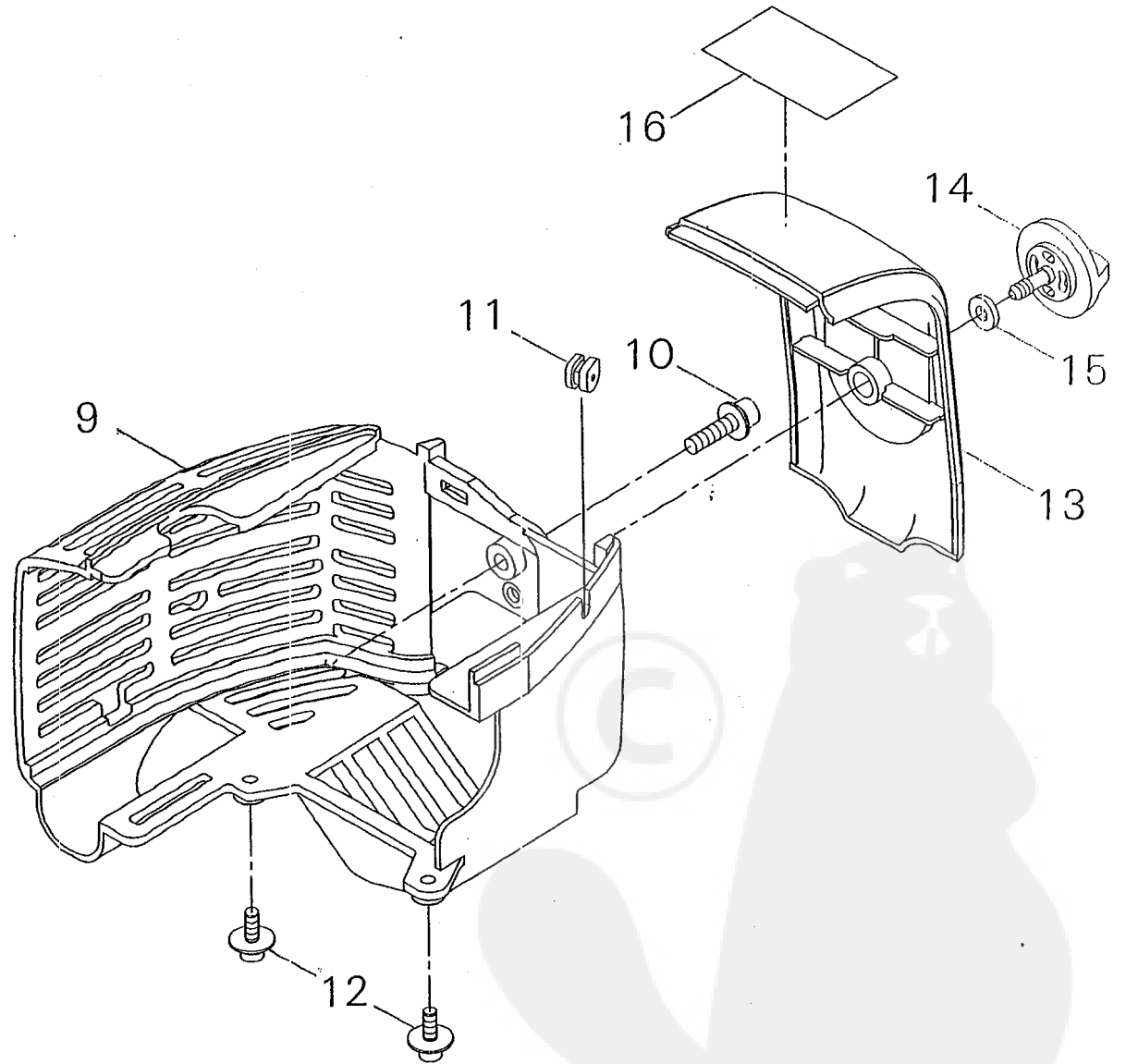
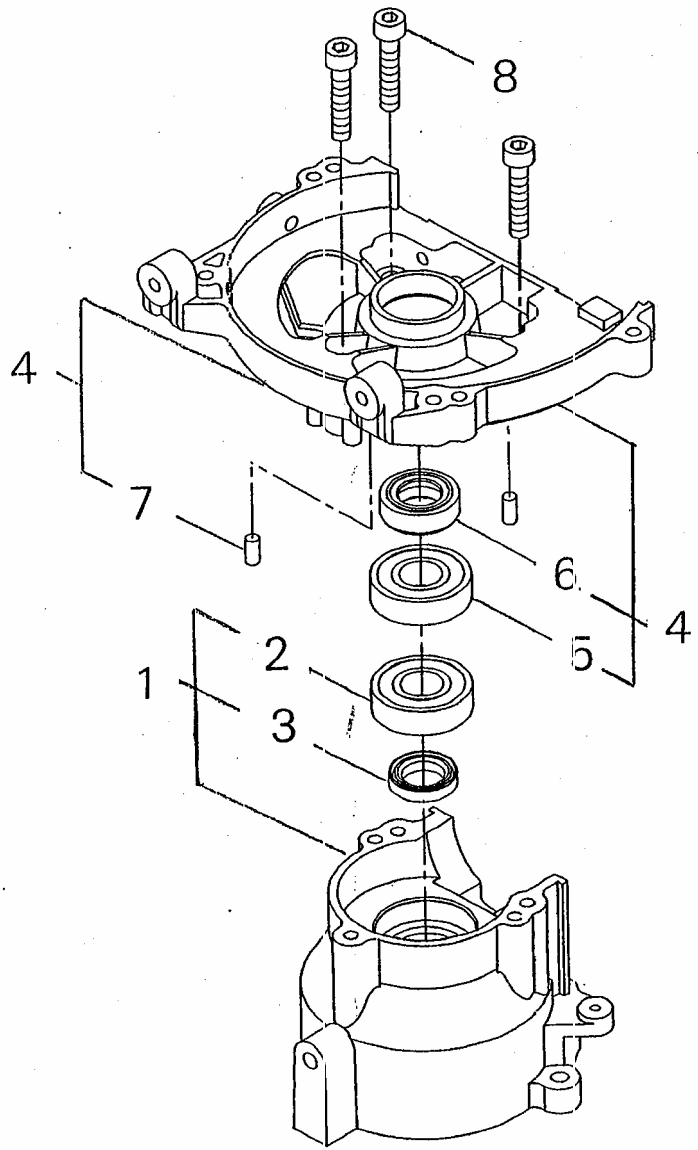


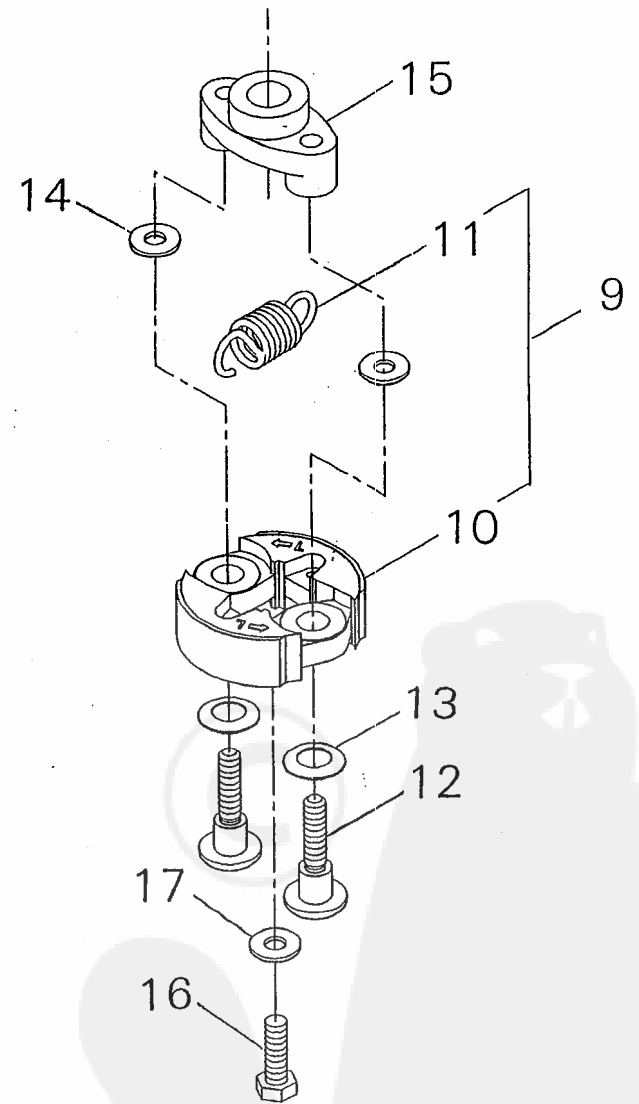
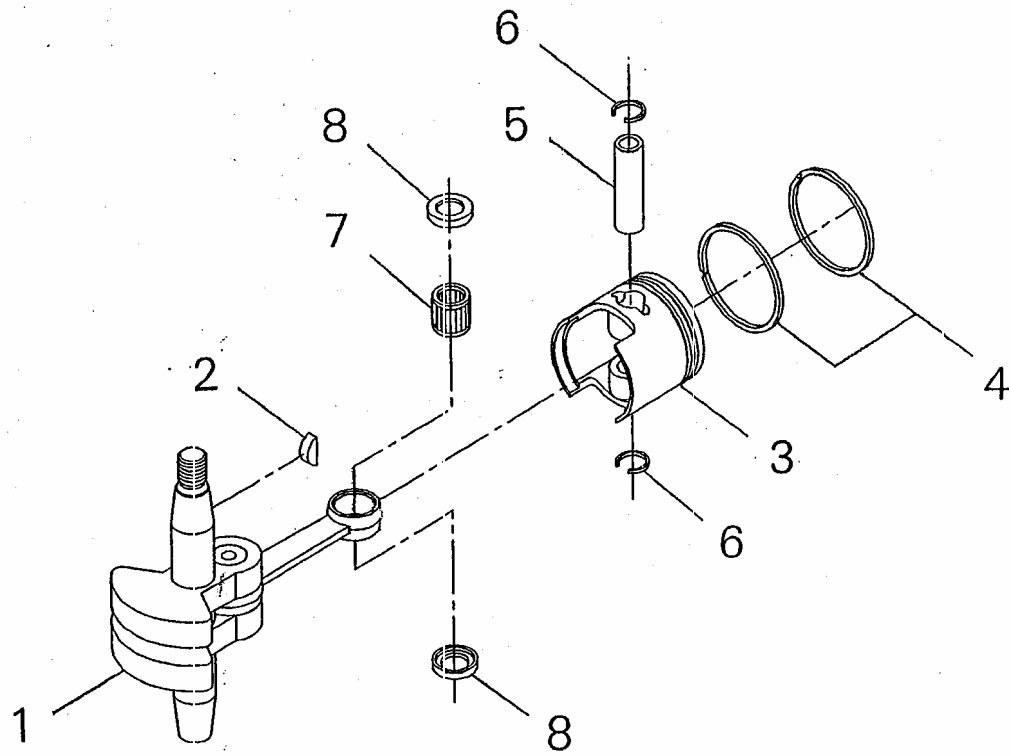
PRICE: (¥)

| Ref. No | Part No. | Part Name | Qty | Unit Price | Remarks |
|---------|-------------|-----------|-----|------------|---------|
| 1- 1 | 20870-12110 | CYLINDER | 1 | | |
| 2 | 20870-12120 | GASKET | 1 | | |
| 3 | 01020-05250 | BOLT | 2 | | |
| 4 | 20016-12210 | INSULATOR | 1 | | |
| 5 | 20870-12220 | GASKET | 1 | | |
| 6 | 20011-12260 | NUT | 2 | | |
| 7 | 11022-05250 | BOLT SPW | 2 | | |
| 8 | 20870-15110 | MUFFLER | 1 | | |
| 11 | 20870-15122 | GASKET | 1 | | |
| 12 | 01020-05500 | BOLT | 2 | | |
| 13 | 01610-05080 | WASHER | 2 | | |
| 14 | 01020-05120 | BOLT | 1 | | |
| | | | | | |
| | | | | | |
| | | | | | |
| | | | | | |
| | | | | | |
| | | | | | |
| | | | | | |
| | | | | | |
| | | | | | |
| | | | | | |
| | | | | | |
| | | | | | |
| | | | | | |
| | | | | | |
| | | | | | |
| | | | | | |
| | | | | | |
| | | | | | |
| | | | | | |
| | | | | | |
| | | | | | |
| | | | | | |
| | | | | | |
| | | | | | |
| | | | | | |
| | | | | | |



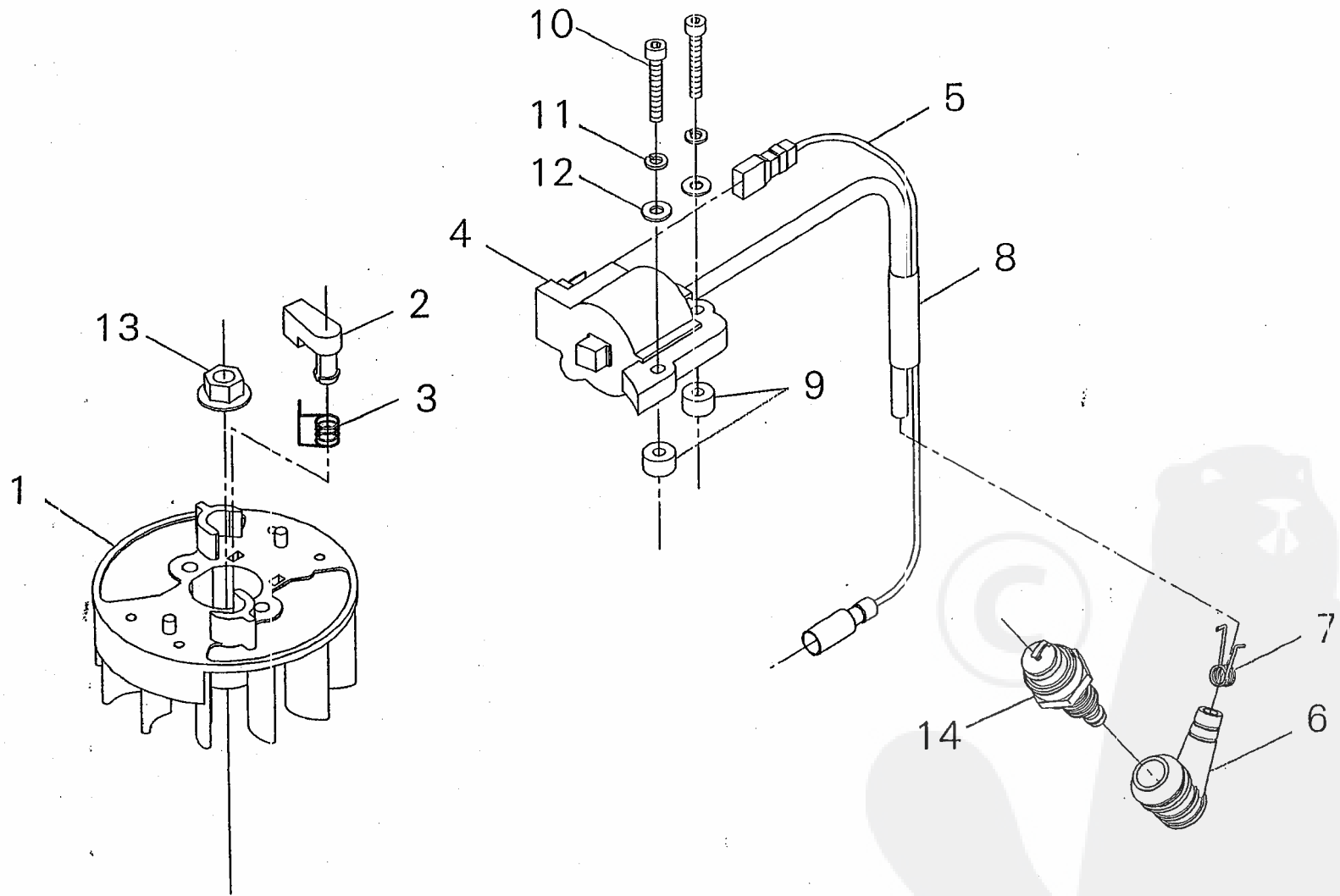
PRICE:(¥)

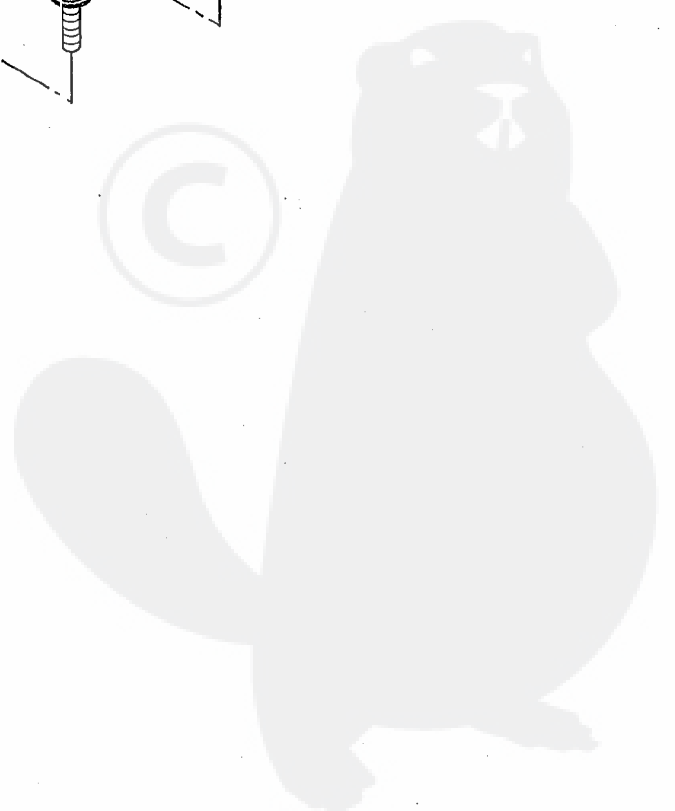
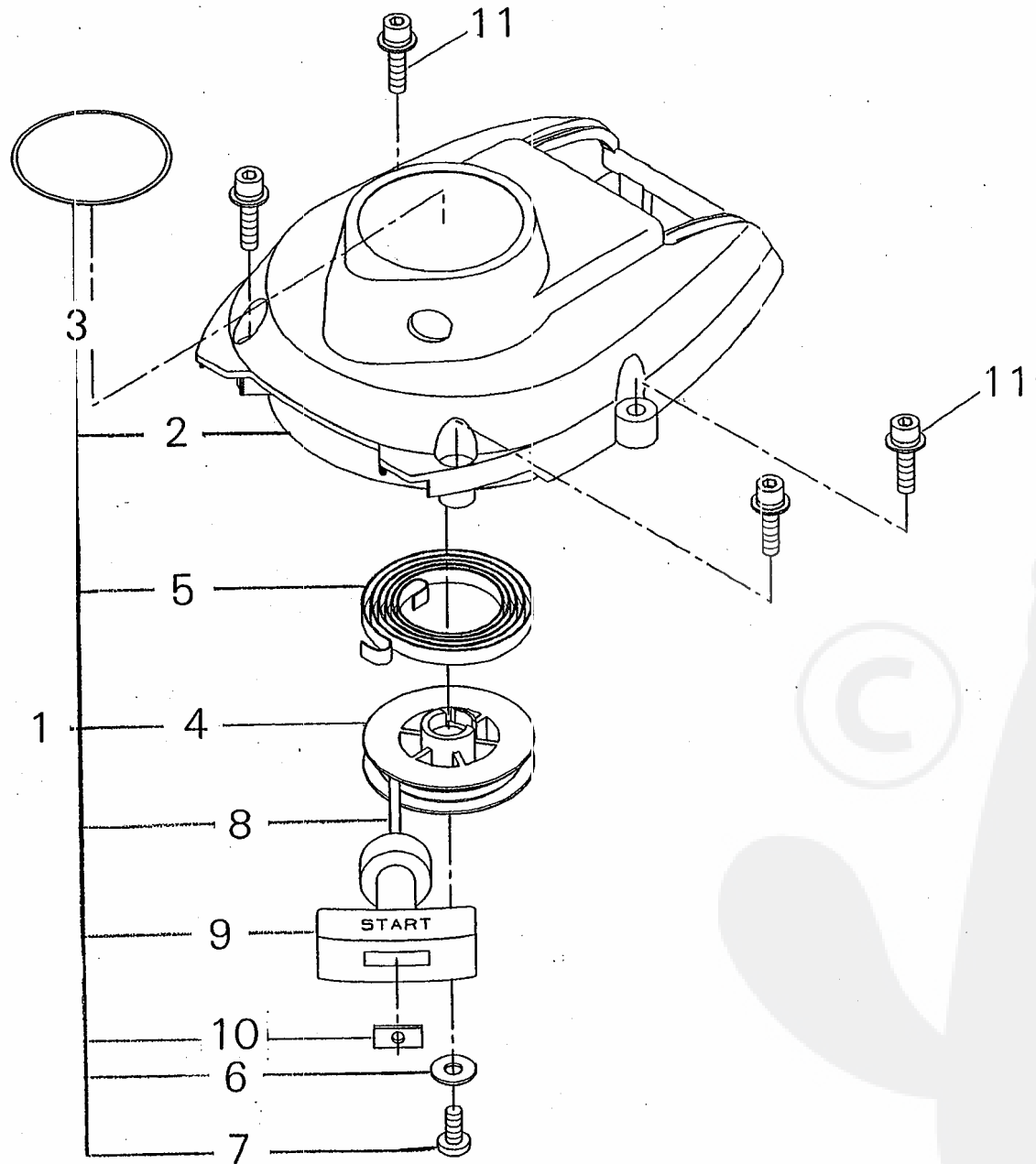
| Ref. No | Part No. | Part Name | Q'ty | Unit Price | Remarks |
|---------|-------------|---------------------|------|------------|---------|
| 2- 1 | 20870-21100 | CRANK CASE PTO COMP | 1 | | |
| 2 | 12900-60010 | • BEARING | 1 | | |
| 3 | 22150-21250 | • OIL SEAL | 1 | | |
| 4 | 20870-21301 | CRANK CASE M COMP | 1 | | |
| 5 | 12900-60010 | • BEARING | 1 | | |
| 6 | 20000-21211 | • OIL SEAL | 1 | | |
| 7 | 12492-40080 | • ROLLER | 2 | | |
| 8 | 01020-05250 | BOLT | 3 | | |
| 9 | 20870-32111 | CYLINDER COVER | 1 | | |
| 10 | 11060-05202 | BOLT ADHESIVE | 1 | | |
| 11 | 20011-72120 | GROMMET | 1 | | |
| 12 | 11060-04123 | BOLT ADHESIVE | 2 | | |
| 13 | 20870-33111 | COVER | 1 | | |
| 14 | 20870-33120 | KNOB | 1 | | |
| 15 | 23627-21220 | COLLAR | 1 | | |
| 16 | 19402-00148 | LABEL CAUTION | 1 | | |
| | | | | | |
| | | | | | |
| | | | | | |
| | | | | | |
| | | | | | |
| | | | | | |
| | | | | | |
| | | | | | |
| | | | | | |
| | | | | | |
| | | | | | |
| | | | | | |
| | | | | | |
| | | | | | |
| | | | | | |
| | | | | | |
| | | | | | |
| | | | | | |
| | | | | | |
| | | | | | |

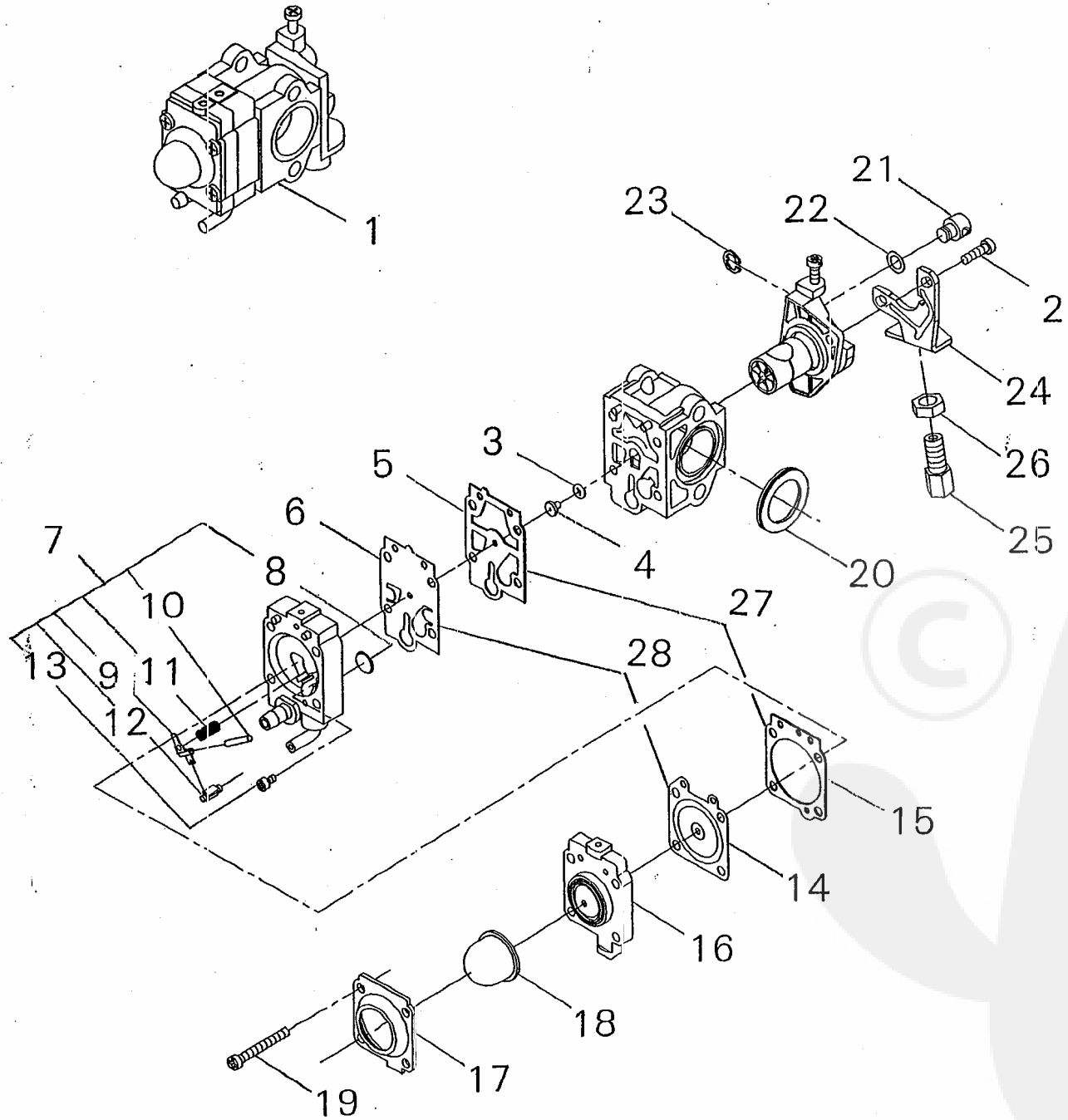


PRICE:(¥)

| Ref. No | Part No. | Part Name | Qty | Unit Price | Remarks |
|---------|-------------|----------------------|-----|------------|---------|
| 3- 1 | 20870-42101 | CRANK SHAFT COMP | 1 | | |
| 2 | 02403-03100 | KEY | 1 | | |
| 3 | 20075-41110 | PISTON | 1 | | |
| 4 | 20000-41210 | PISTON RING | 2 | | |
| 5 | 20075-41310 | PISTON PIN | 1 | | |
| 6 | 70030-41320 | SNAP RING | 2 | | |
| 7 | 70030-41330 | NEEDLE BEARING | 1 | | |
| 8 | 70030-41340 | THRUST WASHER | 2 | | |
| 9 | 70140-51011 | CLUTCH SHOE SUB ASSY | 1 | | |
| 10 | 70140-51111 | • CLUTCH SHOE | 2 | | |
| 11 | 70140-51220 | • CLUTCH SPRING | 1 | | |
| 12 | 20087-51210 | BOLT | 2 | | |
| 13 | 20087-51231 | SPRING PLATE | 2 | | |
| 14 | 22100-71430 | WASHER | 2 | | |
| 15 | 20870-51210 | CLUTCH BOSS | 1 | | |
| 16 | 20870-51220 | BOLT | 1 | | |
| 17 | 22100-71430 | WASHER | 1 | | |
| | | | | | |
| | | | | | |
| | | | | | |
| | | | | | |
| | | | | | |
| | | | | | |
| | | | | | |
| | | | | | |
| | | | | | |
| | | | | | |
| | | | | | |
| | | | | | |
| | | | | | |
| | | | | | |
| | | | | | |
| | | | | | |
| | | | | | |
| | | | | | |
| | | | | | |

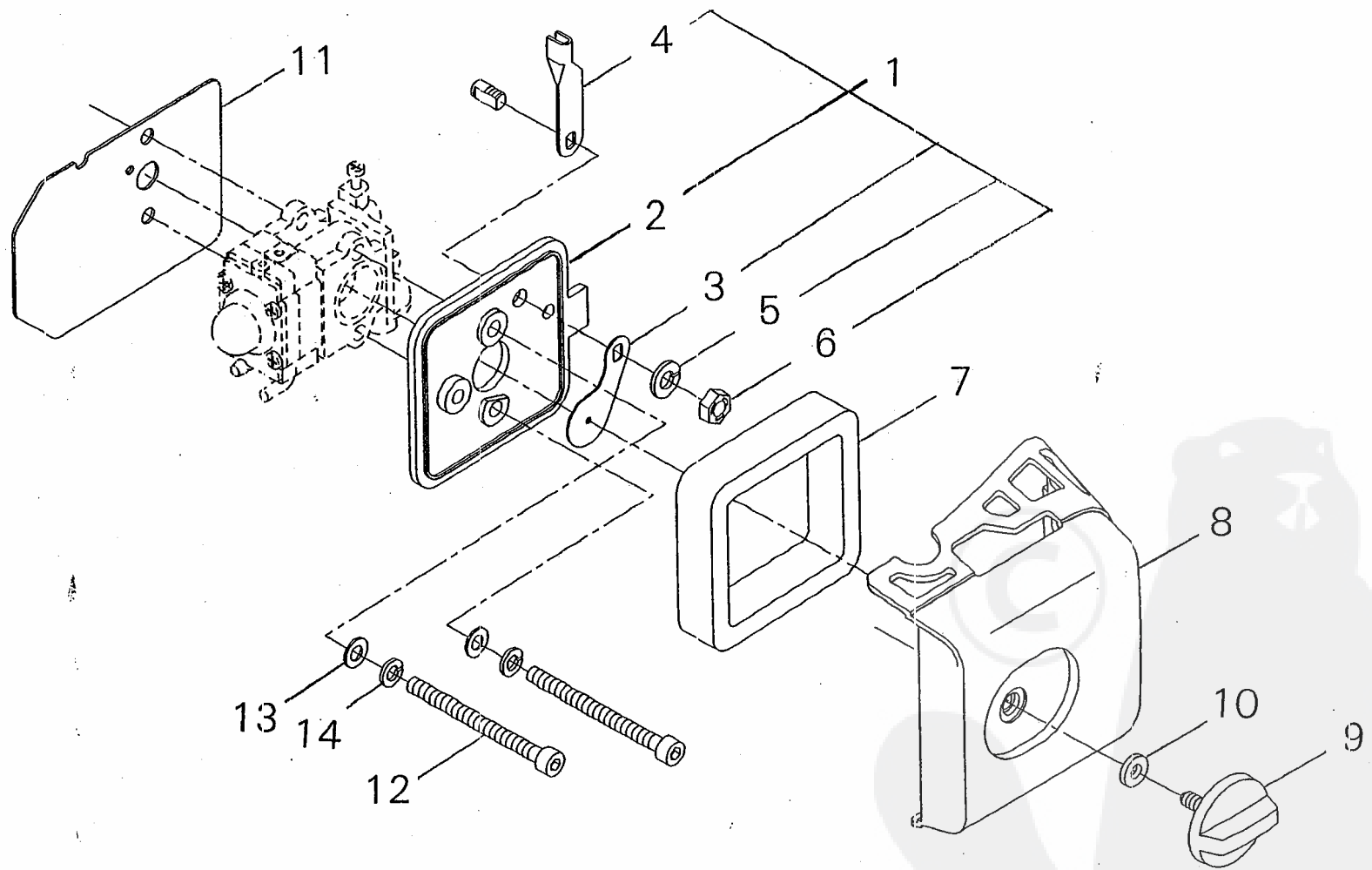






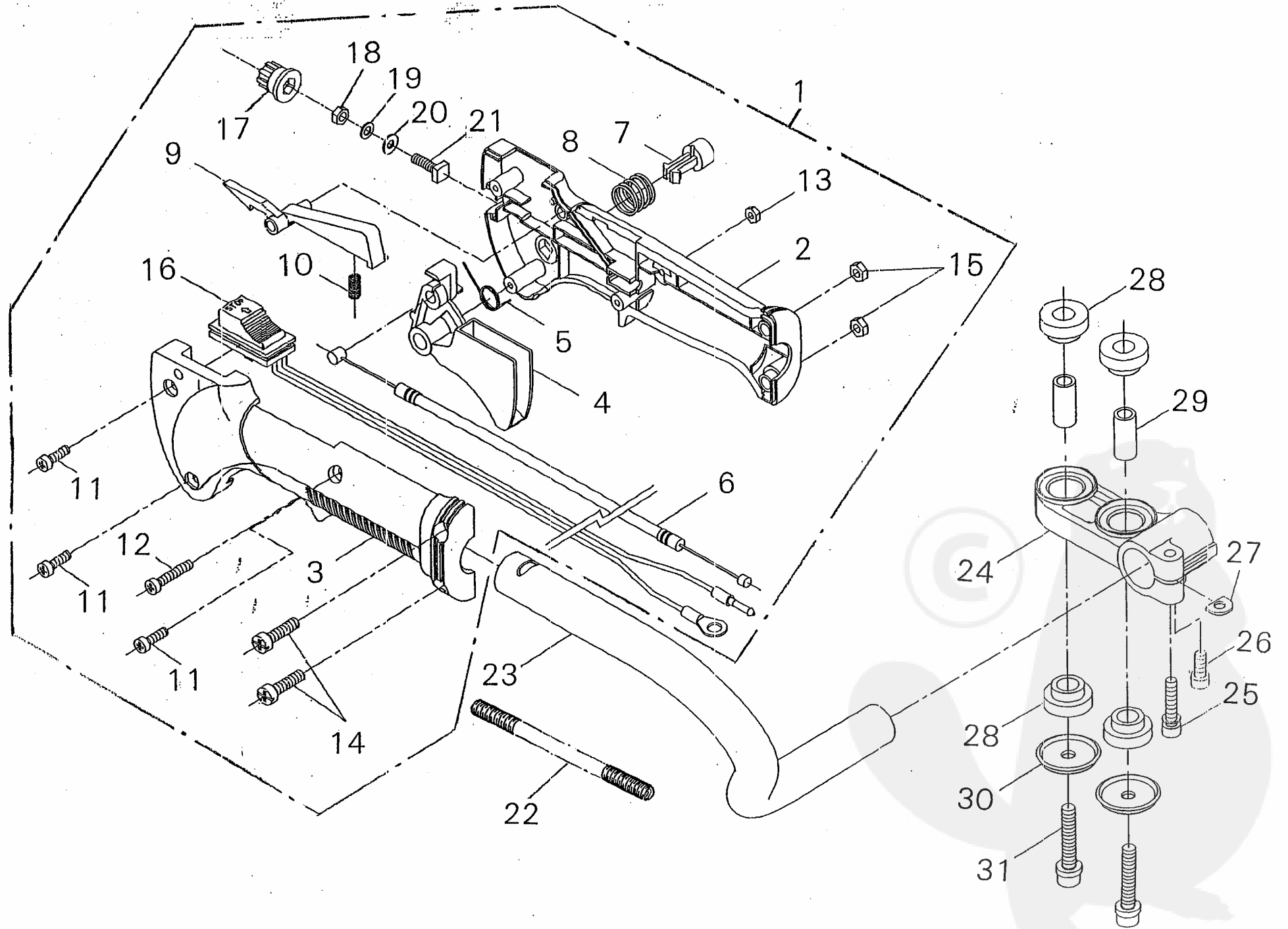
PRICE:(¥)

| Ref. No | Part No. | Part Name | Q'ty | Unit Price | Remarks |
|---------|----------------|---------------------|------|------------|---------|
| 6- | 1 70871-81100 | CARBURETOR SUB ASSY | 1 | | |
| | 2 70097-81290 | • SCREW | 2 | | |
| | 3 70097-81220 | • O RING | 1 | | |
| | 4 72934-81230 | • MAIN JET | 1 | | |
| | 5 70097-81310 | • GASKET PUMP | 1 | | |
| | 6 70097-81320 | • DIAPHRAGM | 1 | | |
| | 7 72933-81410 | • PUMP BODY ASSY | 1 | | |
| | 8 70030-81380 | •• SCREEN | 1 | | |
| | 9 22100-81230 | •• LEVER | 1 | | |
| | 10 22100-81250 | •• PIN | 1 | | |
| | 11 72933-81270 | •• SPRING | 1 | | |
| | 12 20036-81440 | •• NEEDLE VALVE | 1 | | |
| | 13 20016-81450 | •• SCREW | 1 | | |
| | 14 22100-81260 | • DIAPHRAGM ASSY | 1 | | |
| | 15 20016-81280 | • GASKET | 1 | | |
| | 16 20016-81420 | • PUMP BASE COMP | 1 | | |
| | 17 20016-81510 | • PUMP COVER | 1 | | |
| | 18 20036-81670 | • PRIMER PUMP | 1 | | |
| | 19 20016-81140 | • SCREW | 4 | | |
| | 20 72933-81250 | • RING GASKET | 1 | | |
| | 21 72933-81450 | • SWIVEL | 1 | | |
| | 22 20089-81185 | • WASHER | 1 | | |
| | 23 20036-81195 | • E RING | 1 | | |
| | 24 20089-81130 | • BRACKET | 1 | | |
| | 25 20089-81110 | • CABLE ADJUSTER | 1 | | |
| | 26 20036-81120 | • NUT | 1 | | |
| | 27 20016-81910 | GASKET KIT | 1 | | |
| | 5 70097-81310 | • GASKET PUMP | 1 | | |
| | 15 20016-81280 | • GASKET | 1 | | |
| | 28 70097-81920 | DIAPHRAGM KIT | 1 | | |
| | 6 70097-81320 | • DIAPHRAGM | 1 | | |
| | 14 22100-81260 | • DIAPHRAGM ASSY | 1 | | |
| | | | | | |
| | | | | | |
| | | | | | |
| | | | | | |
| | | | | | |
| | | | | | |



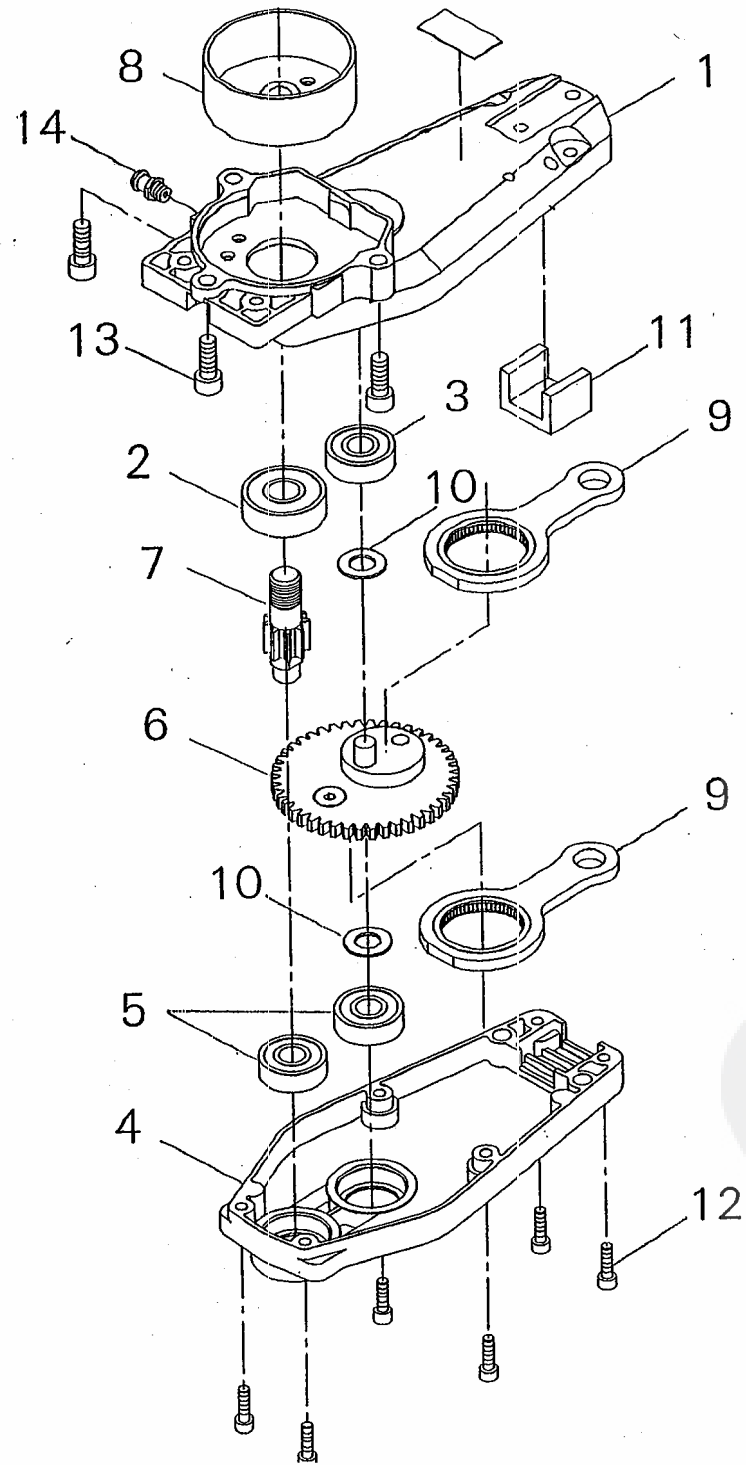
PRICE:(¥)

| Ref. No | Part No. | Part Name | Qty | Unit Price | Remarks |
|---------|-------------|-----------------------|-----|------------|---------|
| 7- 1 | 20870-82100 | CLEANER BODY SUB ASSY | 1 | | |
| 2 | 20870-82111 | • CLEANER BODY | 1 | | |
| 3 | 20115-82121 | • CHOKE PLATE | 1 | | |
| 4 | 20870-82120 | • CHOKE LEVER | 1 | | |
| 5 | 01600-06151 | • SPRING WASHER | 1 | | |
| 6 | 11524-06211 | • U NUT | 1 | | |
| 7 | 20870-82210 | FILTER | 1 | | |
| 8 | 20870-82312 | CLEANER COVER | 1 | | |
| 9 | 20870-33120 | KNOB | 1 | | |
| 10 | 23627-21220 | COLLAR | 1 | | |
| 11 | 20870-82411 | GASKET | 1 | | |
| 12 | 01020-05600 | BOLT | 2 | | |
| 13 | 01610-05080 | WASHER | 2 | | |
| 14 | 01600-05131 | SPRING WASHER | 2 | | |
| | | | | | |
| | | | | | |
| | | | | | |
| | | | | | |
| | | | | | |
| | | | | | |
| | | | | | |
| | | | | | |
| | | | | | |
| | | | | | |
| | | | | | |
| | | | | | |
| | | | | | |
| | | | | | |
| | | | | | |
| | | | | | |
| | | | | | |
| | | | | | |
| | | | | | |
| | | | | | |
| | | | | | |
| | | | | | |
| | | | | | |
| | | | | | |
| | | | | | |
| | | | | | |
| | | | | | |
| | | | | | |



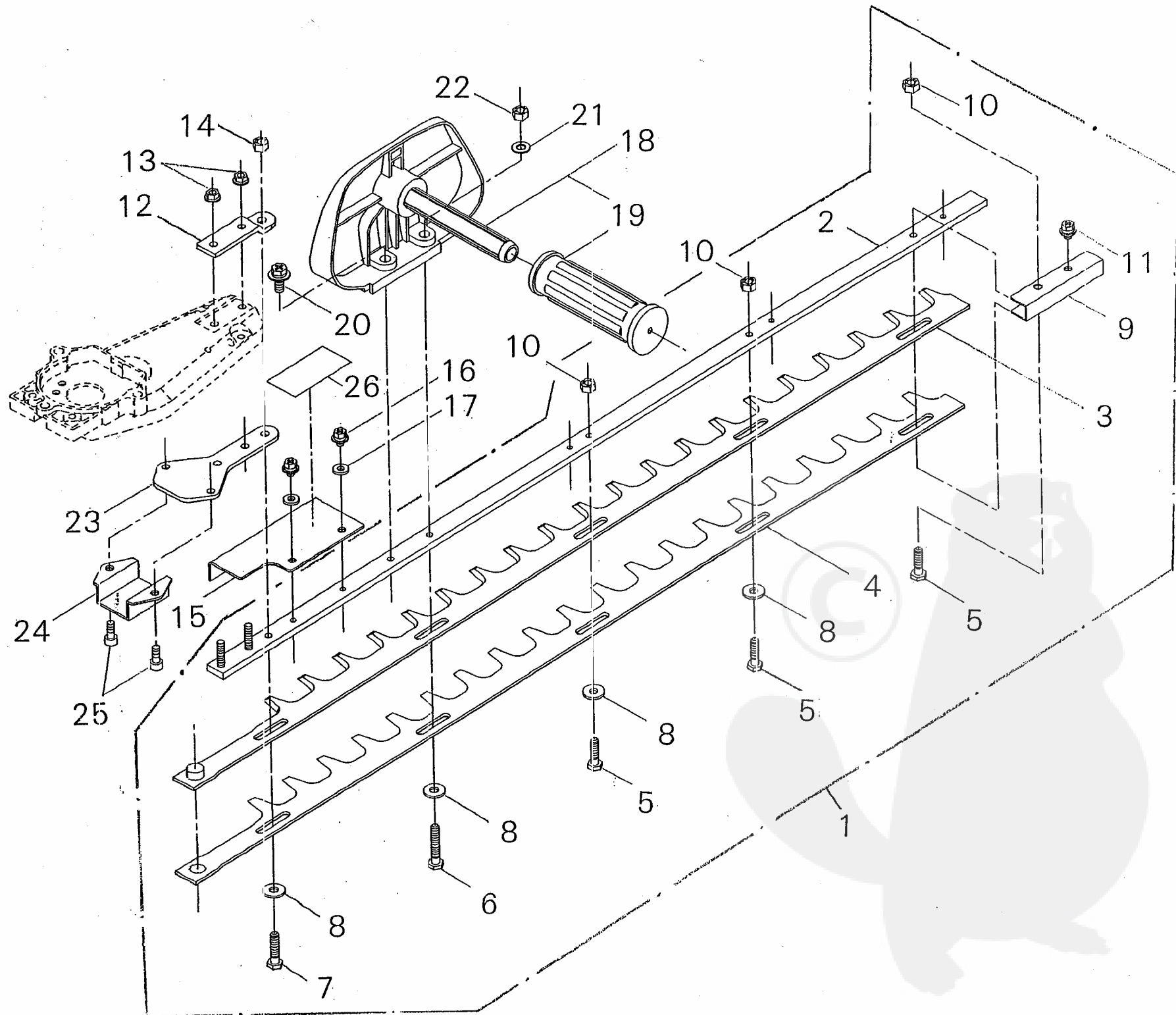
PRICE: (¥)

| Ref. No | Part No. | Part Name | Q'ty | Unit Price | Remarks |
|---------|-------------|----------------------|------|------------|---------|
| 9- 1 | 20870-65100 | REAR HANDLE SUB ASSY | 1 | | |
| 2 | 70871-65110 | • BODY RIGHT | 1 | | |
| 3 | 70871-65120 | • BODY LEFT | 1 | | |
| 4 | 70871-65130 | • LEVER | 1 | | |
| 5 | 70871-65160 | • COIL SPRING | 1 | | |
| 6 | 70871-65191 | • THROTTLE CABLE | 1 | | |
| 7 | 70871-65170 | • BUTTON | 1 | | |
| 8 | 70871-65180 | • COIL SPRING | 1 | | |
| 9 | 70871-65140 | • LOCK LEVER | 1 | | |
| 10 | 70871-65150 | • COIL SPRING | 1 | | |
| 11 | 70871-65310 | • SCREW TAPPING | 3 | | |
| 12 | 70871-65331 | • SCREW | 1 | | |
| 13 | 70871-65340 | • NUT | 1 | | |
| 14 | 70871-65320 | • SCREW PM | 2 | | |
| 15 | 01501-05030 | • NUT | 2 | | |
| 16 | 70871-65201 | • SWITCH COMP | 1 | | |
| 17 | 20870-65110 | • KNOB | 1 | | |
| 18 | 20870-65120 | • NUT | 1 | | |
| 19 | 20870-65130 | • WASHER | 1 | | |
| 20 | 20870-65140 | • WASHER | 1 | | |
| 21 | 20870-65150 | • BOLT | 1 | | |
| 22 | 20019-83140 | TUBE | 1 | | |
| 23 | 20870-65311 | PIPE | 1 | | |
| 24 | 20870-65412 | HANDLE STAY | 1 | | |
| 25 | 11023-05250 | BOLT SW | 1 | | |
| 26 | 01020-05120 | BOLT | 1 | | |
| 27 | 22000-13420 | SHIM | 1 | | |
| 28 | 20870-65420 | CUSHION | 4 | | |
| 29 | 15401-10200 | COLLAR | 2 | | |
| 30 | 20870-65430 | PLATE | 2 | | |
| 31 | 11020-06350 | BOLT SW | 2 | | |
| | | | | | |
| | | | | | |
| | | | | | |
| | | | | | |
| | | | | | |



PRICE: (¥)

| Ref. No | Part No. | Part Name | Q'ty | Unit Price | Remarks |
|---------|----------|-------------|---------------|------------|---------|
| 10- | 1 | 20870-61113 | GEAR CASE | 1 | |
| | 2 | 02006-06201 | BEARING | 1 | |
| | 3 | 02002-06000 | BEARING | 1 | |
| | 4 | 20870-61213 | CASE COVER | 1 | |
| | 5 | 02002-06000 | BEARING | 2 | |
| | 6 | 20870-61301 | GEAR COMP | 1 | |
| | 7 | 20870-61410 | PINION SHAFT | 1 | |
| | 8 | 20870-61420 | CLUTCH DRUM | 1 | |
| | 9 | 20870-61500 | ROD COMP | 2 | |
| | 10 | 22157-41250 | THRUST WASHER | 2 | |
| | 11 | 20870-61630 | PACKING | 1 | |
| | 12 | 01020-04140 | BOLT | 6 | |
| | 13 | 01020-06160 | BOLT | 3 | |
| | 14 | 20870-61640 | GREASE NIPPLE | 1 | |
| | | | | | |
| | | | | | |
| | | | | | |
| | | | | | |
| | | | | | |
| | | | | | |
| | | | | | |
| | | | | | |
| | | | | | |
| | | | | | |
| | | | | | |
| | | | | | |
| | | | | | |
| | | | | | |
| | | | | | |
| | | | | | |
| | | | | | |
| | | | | | |
| | | | | | |
| | | | | | |
| | | | | | |
| | | | | | |
| | | | | | |
| | | | | | |
| | | | | | |
| | | | | | |
| | | | | | |



PRICE:(¥)

| Ref. No | Part No. | Part Name | Qty | Unit Price | Remarks |
|---------|-------------|-------------------|-----|------------|---------|
| 11- 1 | 70872-62101 | CUTTER SUB ASSY | 1 | | |
| 2 | 70872-62201 | • GUIDE BAR COMP | 1 | | |
| 3 | 18500-70000 | • BLADE | 1 | | |
| 4 | 18500-70001 | • BLADE | 1 | | |
| 5 | 20870-62110 | • BOLT | 3 | | |
| 6 | 20870-62120 | • BOLT | 1 | | |
| 7 | 20870-62150 | • BOLT | 1 | | |
| 8 | 20870-62131 | • WASHER | 4 | | |
| 9 | 20870-62141 | • PLATE | 1 | | |
| 10 | 11525-06210 | • U NUT | 3 | | |
| 11 | 20870-63120 | • BOLT SLPW | 1 | | |
| 12 | 20870-62210 | HOLDER | 1 | | |
| 13 | 11526-05212 | FLANGE NUT | 2 | | |
| 14 | 11525-06210 | U NUT | 1 | | |
| 15 | 20870-63211 | PROTECTOR | 1 | | |
| 16 | 20870-63120 | BOLT SLPW | 2 | | |
| 17 | 23627-21220 | COLLAR | 2 | | |
| 18 | 20870-64102 | FRONT HANDLE COMP | 1 | | |
| 19 | 20870-64121 | • GRIP | 1 | | |
| 20 | 11526-08212 | FLANGE NUT | 1 | | |
| 21 | 01613-06100 | WASHER | 1 | | |
| 22 | 11525-06210 | U NUT | 1 | | |
| 23 | 20870-61611 | PLATE | 1 | | |
| 24 | 20870-61621 | PLATE | 1 | | |
| 25 | 01020-05120 | BOLT | 2 | | |
| 26 | 19402-00147 | LABEL CAUTION | 1 | | |
| | | | | | |
| | | | | | |
| | | | | | |
| | | | | | |
| | | | | | |
| | | | | | |
| | | | | | |
| | | | | | |
| | | | | | |
| | | | | | |
| | | | | | |
| | | | | | |
| | | | | | |
| | | | | | |
| | | | | | |
| | | | | | |
| | | | | | |
| | | | | | |
| | | | | | |
| | | | | | |

