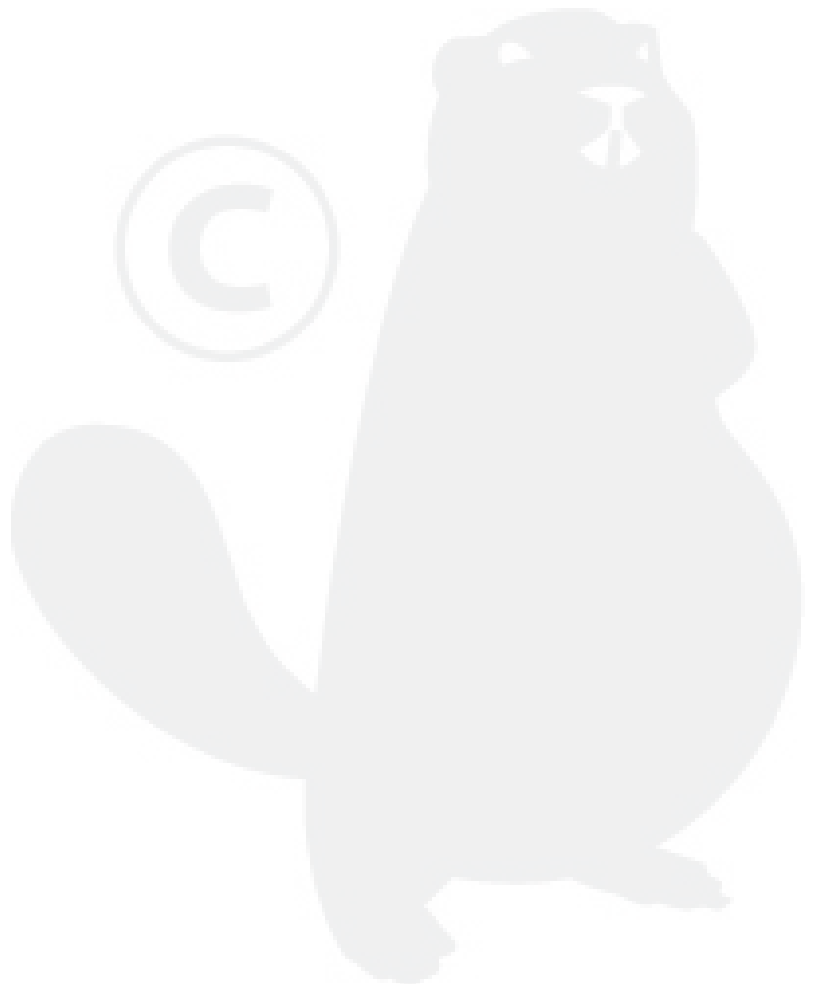
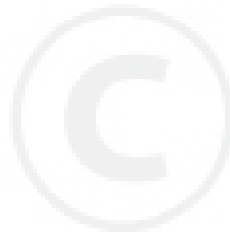
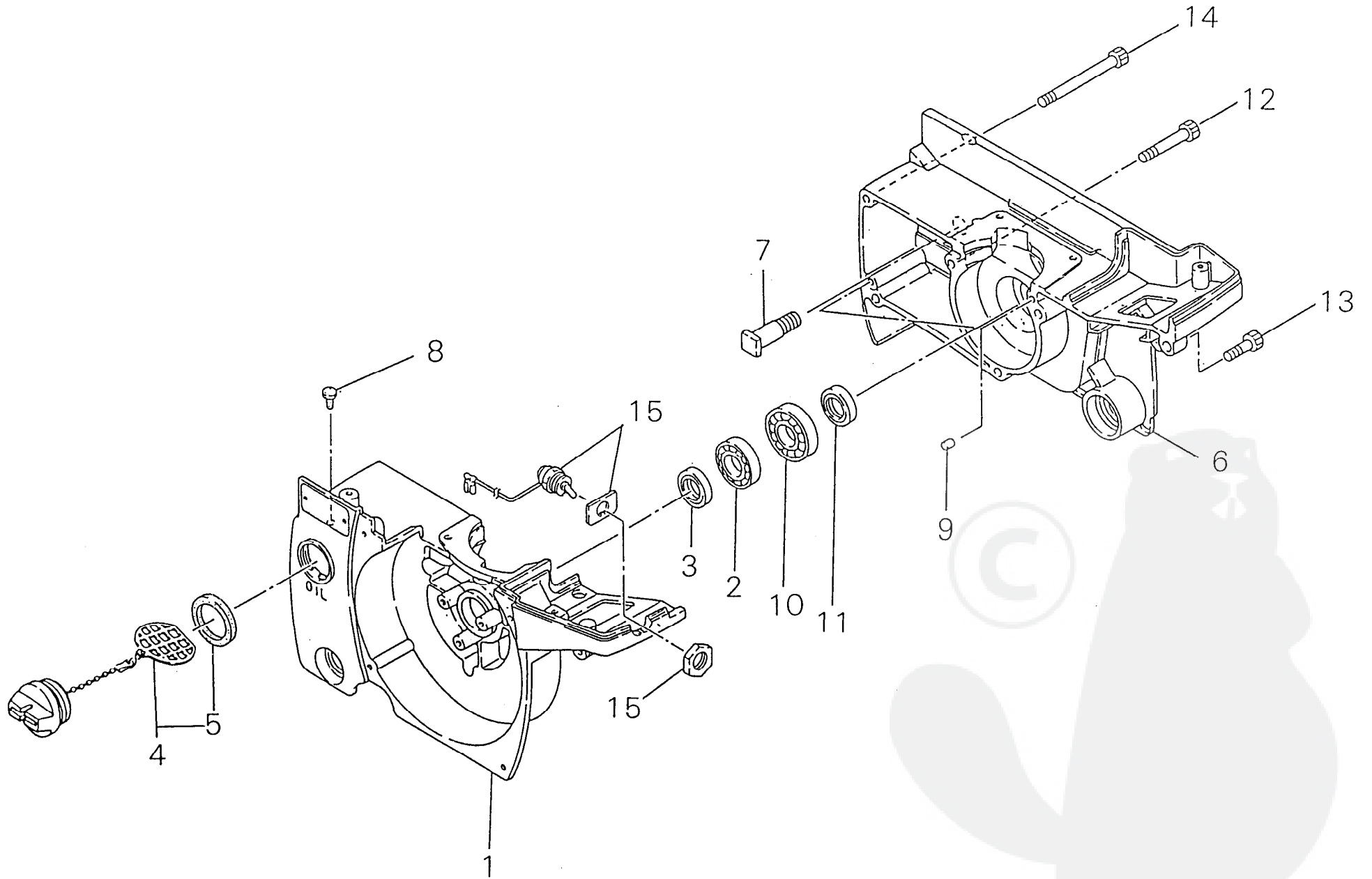


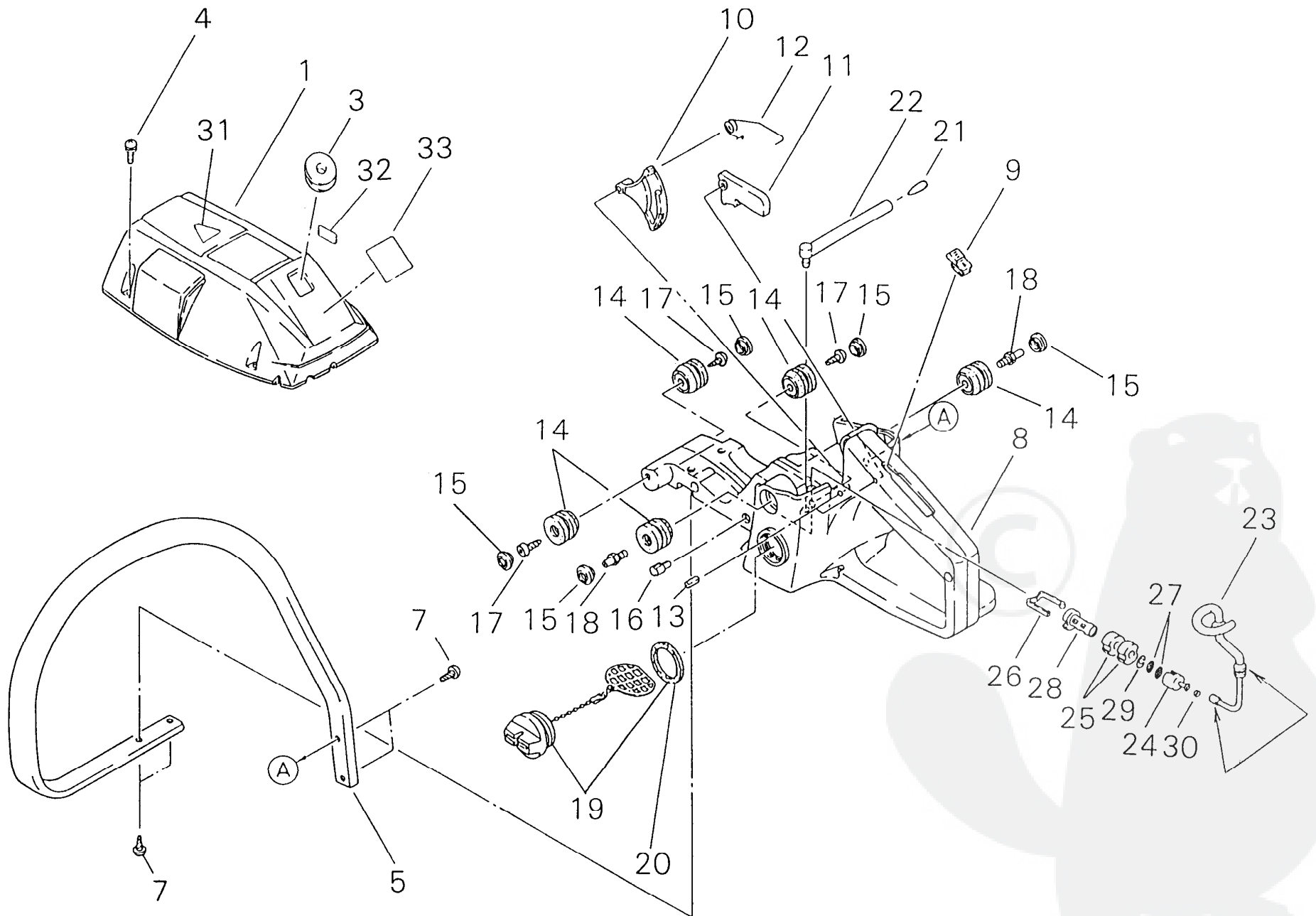
Ref. No	Part No.	Part Name	Q`ty
1- 1	22154-12110	CYLINDER	1
2	22154-12120	GASKETCYLINDER	1
3	22154-12130	BOLT	4
4	22166-12150	INSULATOR	1
5	22154-12160	GASKETINSULATOR	1
6	22137-12170	SEAL	1
7	11260-04161	SCREWADHESIVE	2
8	22154-12190	GASKETCARBURETOR	1
9	22166-12210	NUT	2
10	11260-04163	SCREWADHESIVE	2
	22154-15100	BASEMUFFLERSUBASSY	1
11	22154-15110	*BASEMUFFLER	1
12	22154-15130	*TAILPLATE	1
13	11203-04060	*SCREWPM	2
14	22154-15140	PLATEMUFFLER	1
15	22154-15150	PIPEMUFFLER	1
16	72303-15180	COVERMUFFLER	1
17	22154-15210	GASKETMUFFLER	1
18	72303-15410	BOLT	2
19	20011-12260	NUT	2



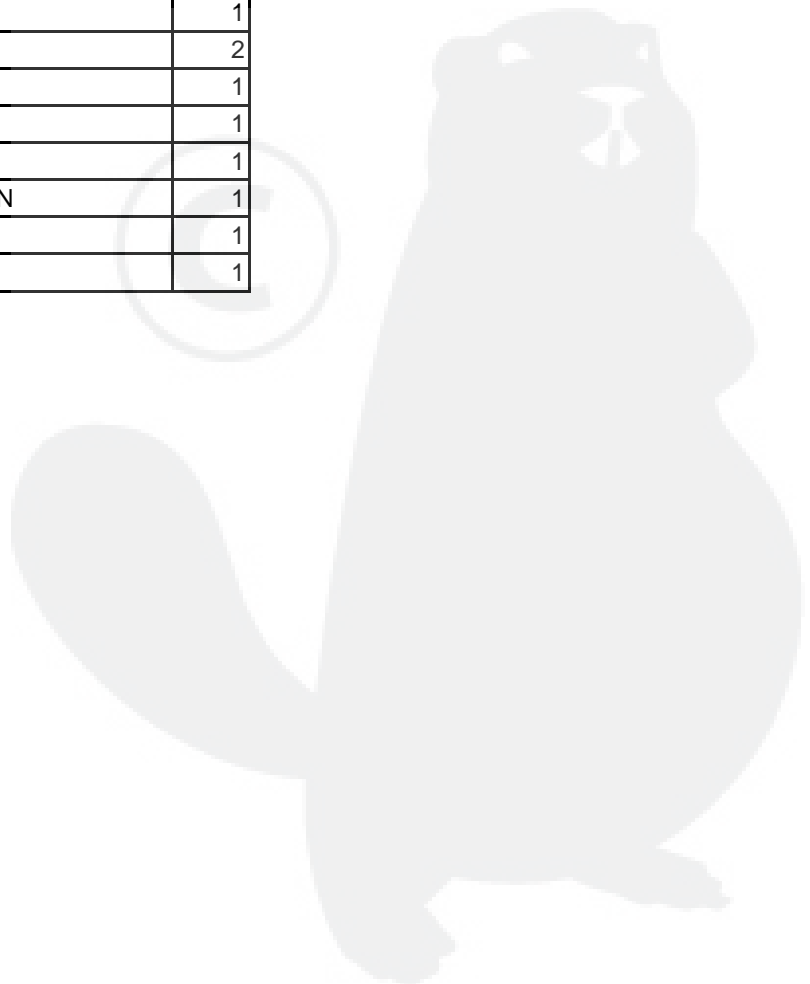


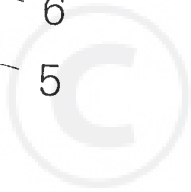
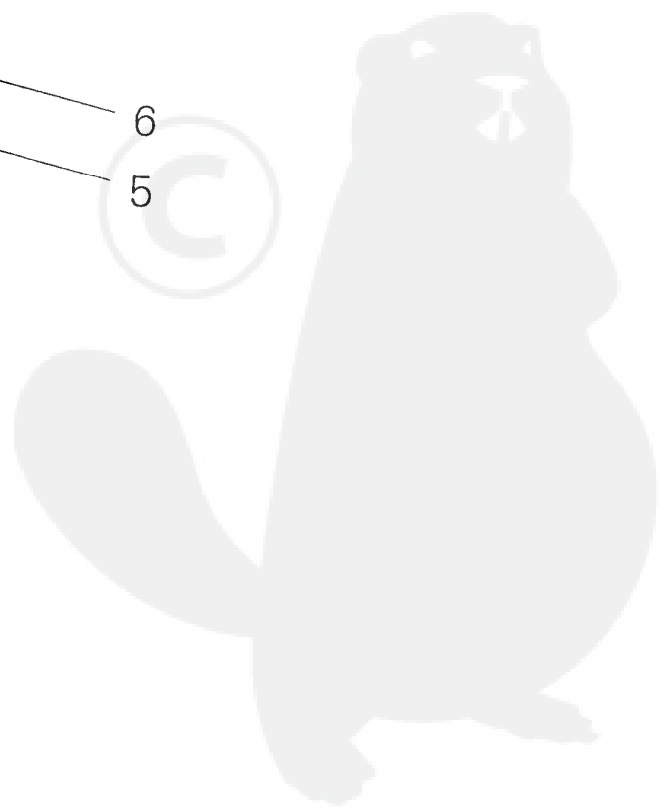
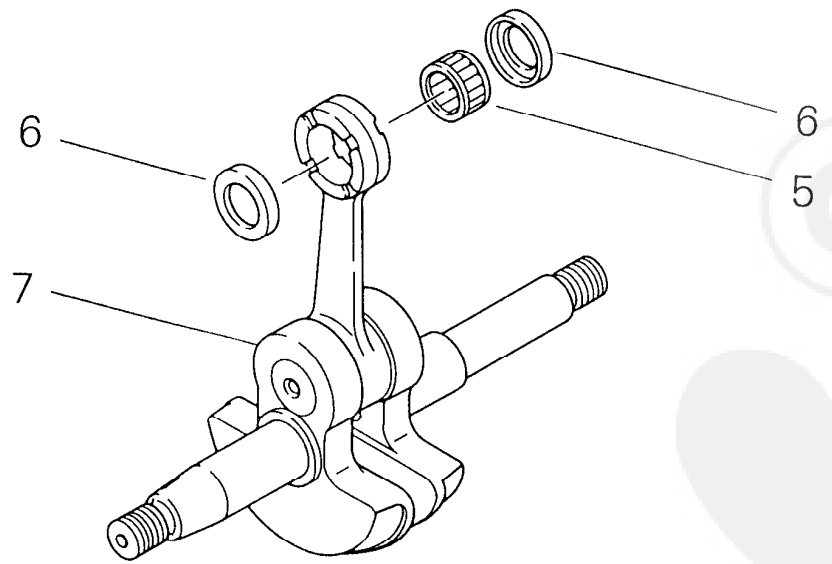
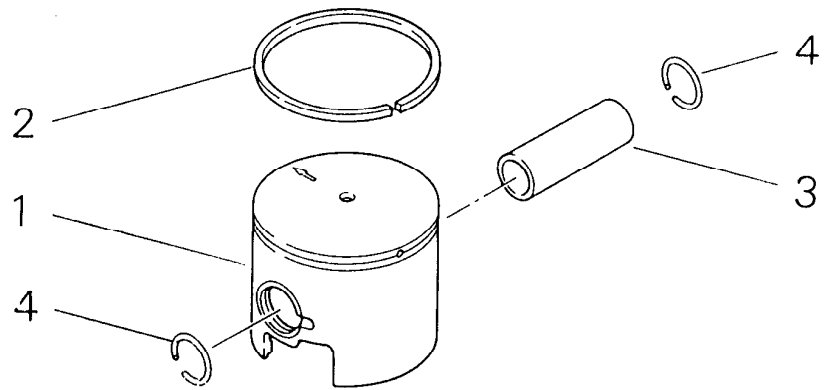
2-	22154-21201	CRANKCASEMCOMP	1
1	22154-21212	*CRANKCASEM	1
8	22115-57120	*VALVEOILTANK	1
2	12900-60010	*BEARING	1
3	22150-21250	*OILSEAL	1
4	22160-21302	OILCAPASSY	1
5	22160-21351	*GASKETCAP	1
	22137-21500	CRANKCASECCOMP	1
6	22137-21510	*CRANKCASEC	1
7	22120-12260	*BOLTBAR	2
9	12492-40080	*ROLLER	2
10	12900-62010	*BEARING	1
11	22150-21250	*OILSEAL	1
12	11060-05300	BOLTADHESIVE	3
13	11060-05182	BOLTADHESIVE	1
14	11060-05450	BOLTADHESIVE	2
15	22154-22101	SWITCHASSY	1





3-1	22154-31111	CYLINDERCOVER	1
3	22154-31160	GROMMETIDLE	1
4	11260-04163	SCREWADHESIVE	3
5	72296-32111	FRONTHANDLE	1
7	11029-50210	BOLTHILO	4
	22137-33101	REARHANDLESUBASSY	1
8	72303-33201	*REARHANDLE	1
9	22154-33310	*SLIDESTOPPER	1
10	22154-33320	*THROTTLELEVER	1
11	22154-33330	*LOCKLEVER	1
12	22154-33340	*SPRINGLEVER	1
13	12420-40255	*SPRINGPIN	2
14	22154-33731	CUSHION22	5
15	22154-33740	PLUG22	5
16	22154-33750	SUPPORTER	1
17	22156-33750	BOLTHILO	3
18	22154-33761	STOPBOLT22	2
19	22137-33800	FUELCAPASSY	1
20	22160-21351	*GASKETCAP	1
	22154-33900	BREATHERASSY	1
21	22155-33950	*ELEMENT	1
22	22154-33940	*PIPE	1
	22159-34100	FUELPIPEASSY	1
23	22159-34110	*FUELPIPE	1
	22115-85401	*FUELFILTERSUBASSY	1
24	22128-85410	**WEIGHTFUEL	1
25	22128-85421	**FILTER	2
26	22128-85440	**CLIPFILTER	1
27	22118-85460	**SCREEN	2
28	22128-85470	**SLEEVE	1
29	22128-85480	**RING	1
30	20020-85540	**CLIP	1
31	19402-00083	LABELCAUTION	1
32	19401-00094	LABELINST	1
33	19426-00016	LABELMARK	1

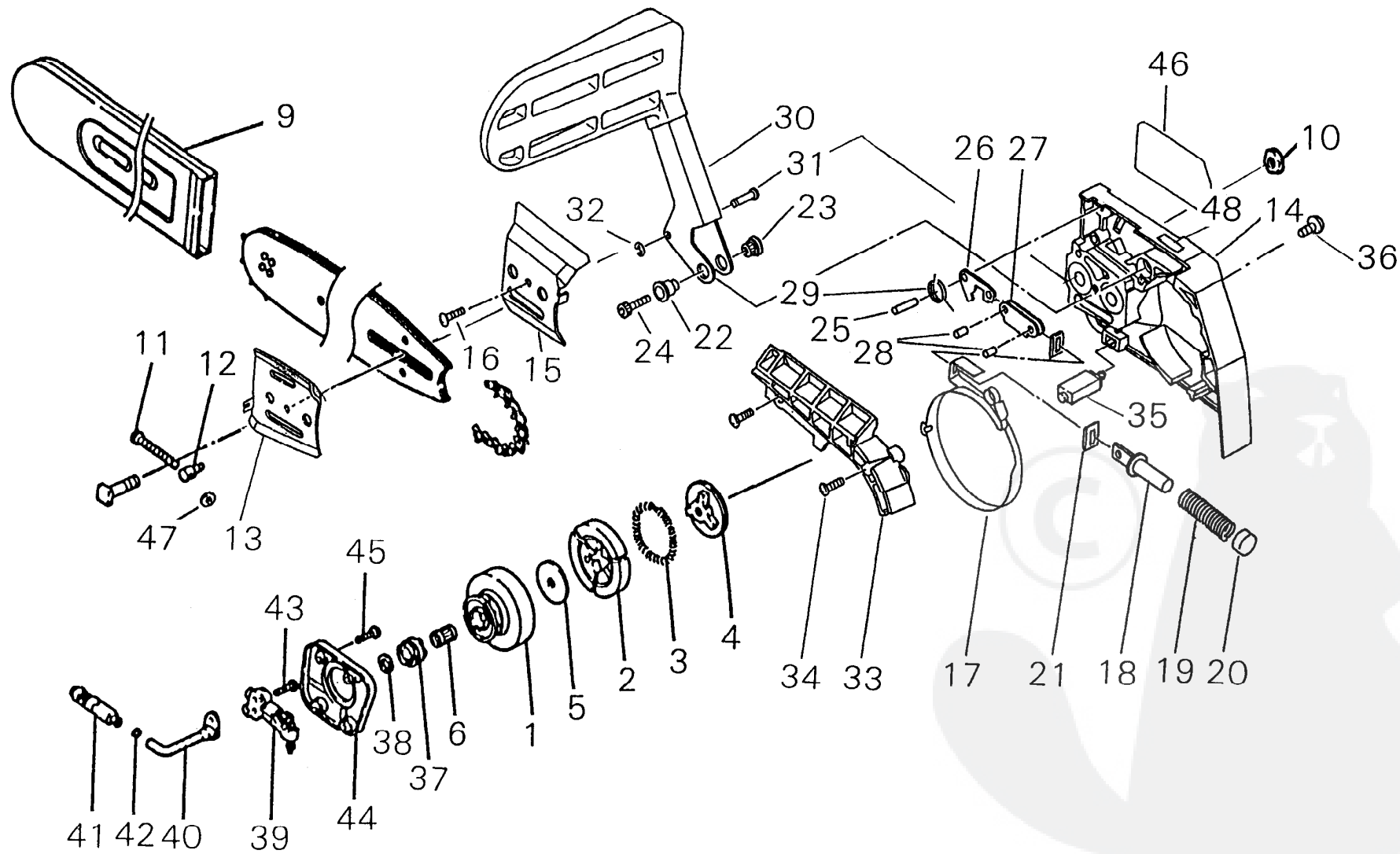




4-1	22154-41110	PISTON	1
2	22100-41210	PISTONRING	1
3	20010-41310	PISTONPIN	1
4	22100-41230	SNAPRING	2
5	20010-41330	NEEDLEBEARING	1
6	22156-41340	THRUSTWASHER	2
7	22154-42000	CRANKSHAFTASSY	1

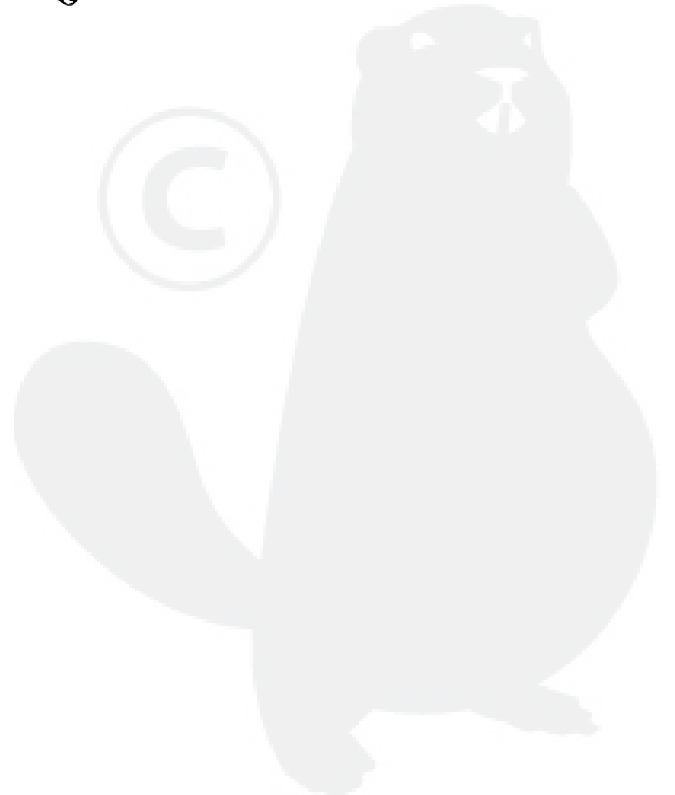
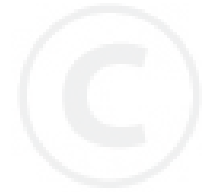
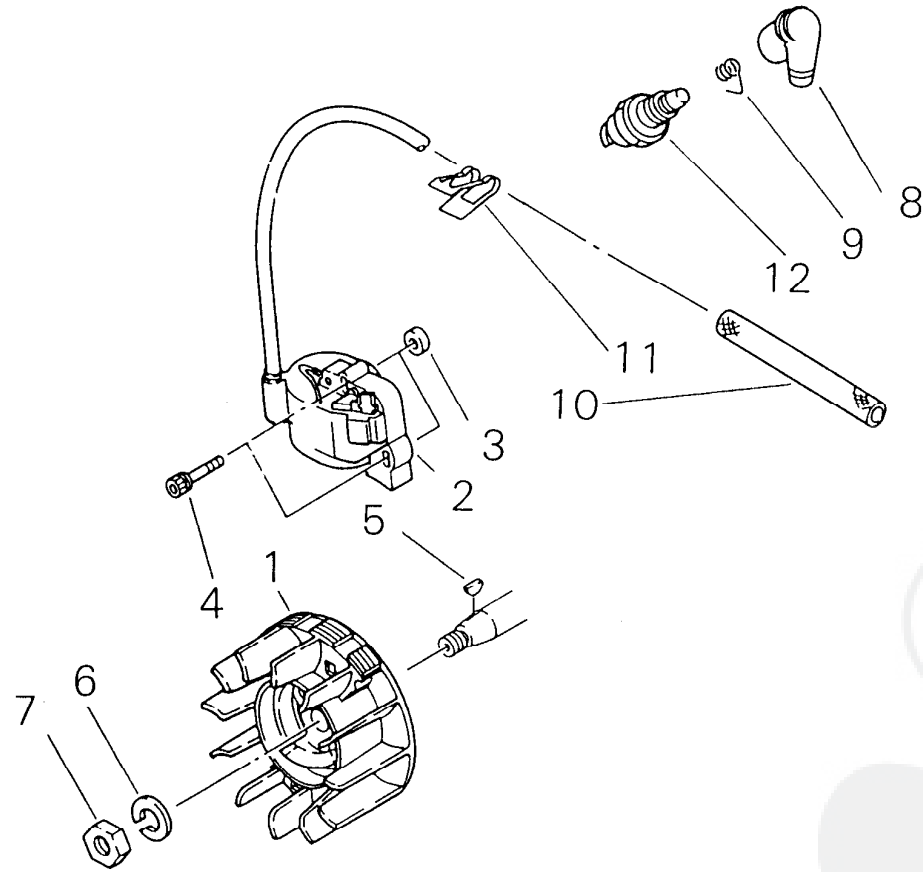






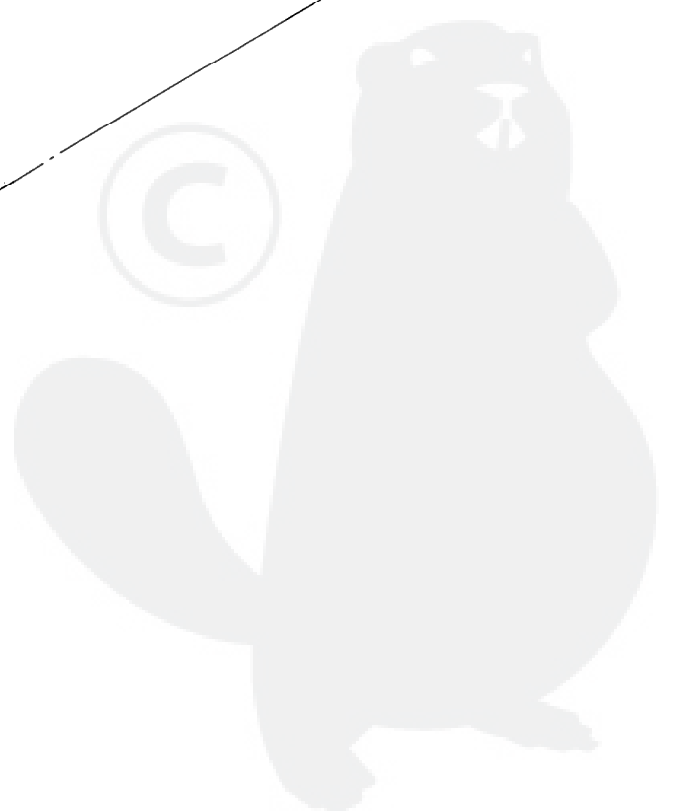
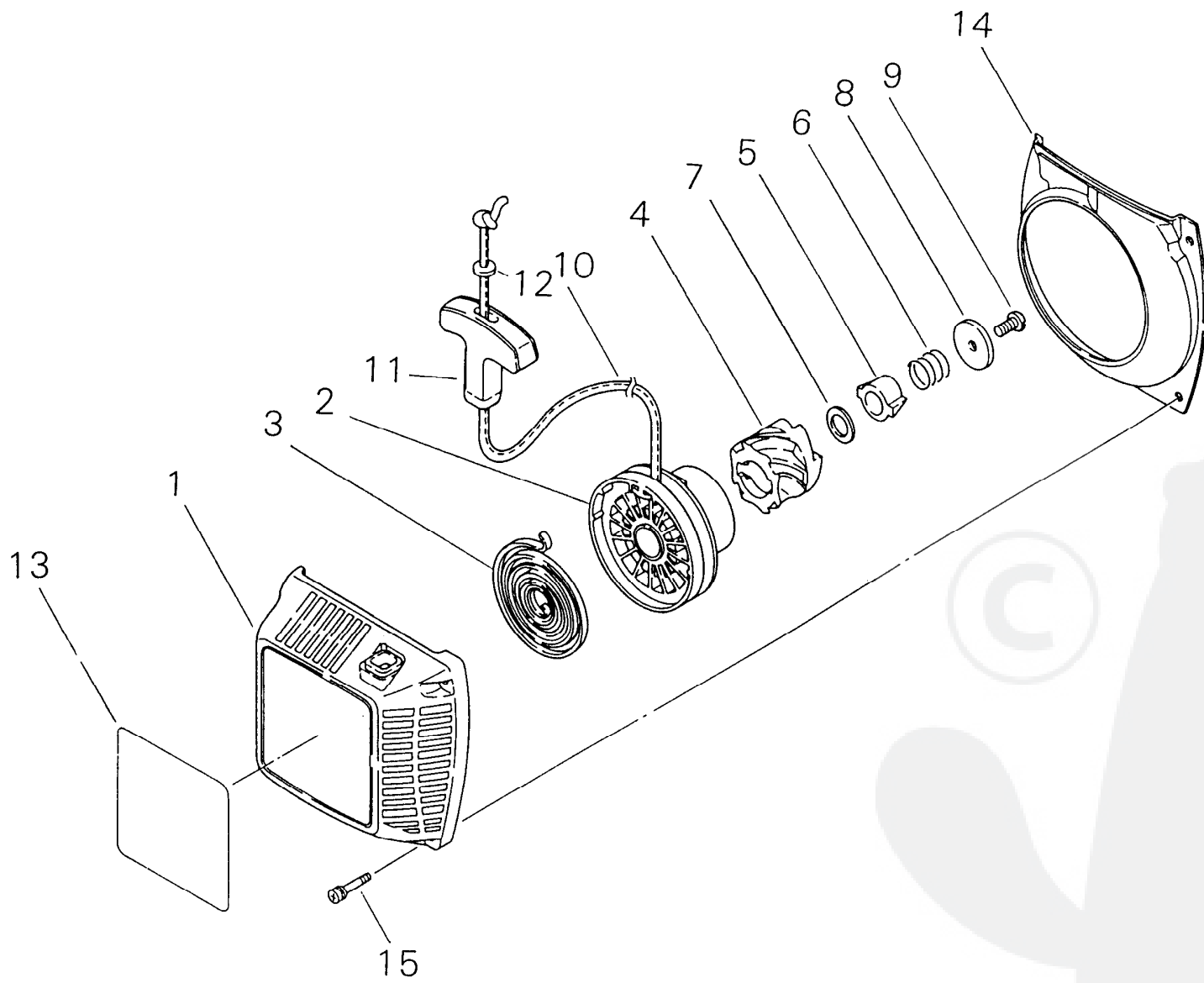
5-1	72348-51110	CLUTCHDRUM	1
	72348-51200	CLUTCHASSY	1
2	72348-51220	*CLUTCHSHOE	3
3	22102-51230	*CLUTCHSPRING	1
4	22154-51240	*CLUTCHBOSSB	1
5	22154-51250	CLUTCHBOSSA	1
6	22102-51310	NEEDLEBEARING	1
9	19600-44100	CHAINCOVER	1
10	22150-52411	NUT	2
11	22154-52421	SLIDESCREW	1
12	22150-52440	SLIDEPIECE	1
47	22154-52450	PUSHNUT	1
13	22159-54150	GUIDEPLATEA	1
	72328-54012	BRAKEASSY	1
	72328-54190	*CLUTCHCOVERSUBASSY	1
14	72328-54110	**CLUTCHCOVER	1
15	22159-54160	**GUIDEPLATEB	1
16	01270-04082	**SCREW TAPPING	1
17	72345-54210	*BRAKEBAND	1
18	72316-54220	*HOLDERSPRING	1
19	72346-54230	*BRAKESPRING	1
20	72316-54240	*STOPPER	1
21	72316-54310	*ADJUSTPLATE	2
22	72316-54520	*HOLDER	1
23	72316-54530	*NUTLEVER	1
24	01020-04120	*BOLT	1
25	12492-40140	*ROLLER	1
26	22173-54561	*INNERLEVER	1
27	72316-54570	*TIESTRAP	1
28	12492-40080	*ROLLER	2
29	72316-54580	*SPRINGLEVER	1
30	72316-54511	*LEVER	1
31	72316-54540	*PINLEVER	1
32	02434-30060	*SNAPRING	1
33	72327-54610	*COVER	1
34	01270-04122	*SCREW TAPPING	2
35	22154-54611	CHAINCATCHER	1
36	01275-03102	SCREWTRUSST	1
46	72326-54140	LABELTRADE	1
48	19401-00093	LABELINST	1
37	22154-55110	GEAR	1
38	22154-55120	THRUSTPLATE	1
39	22154-55200	OILPUMPASSY	1
	22154-55301	OILPIPEASSY	1
40	22154-55310	*OILPIPE	1
41	22154-55330	*OILFILTER	1
42	22154-85540	*CLIPOIL	1
43	11205-04120	SCREWPM	2
44	22154-56110	PUMPCOVER	1
45	11205-04120	SCREWPM	4





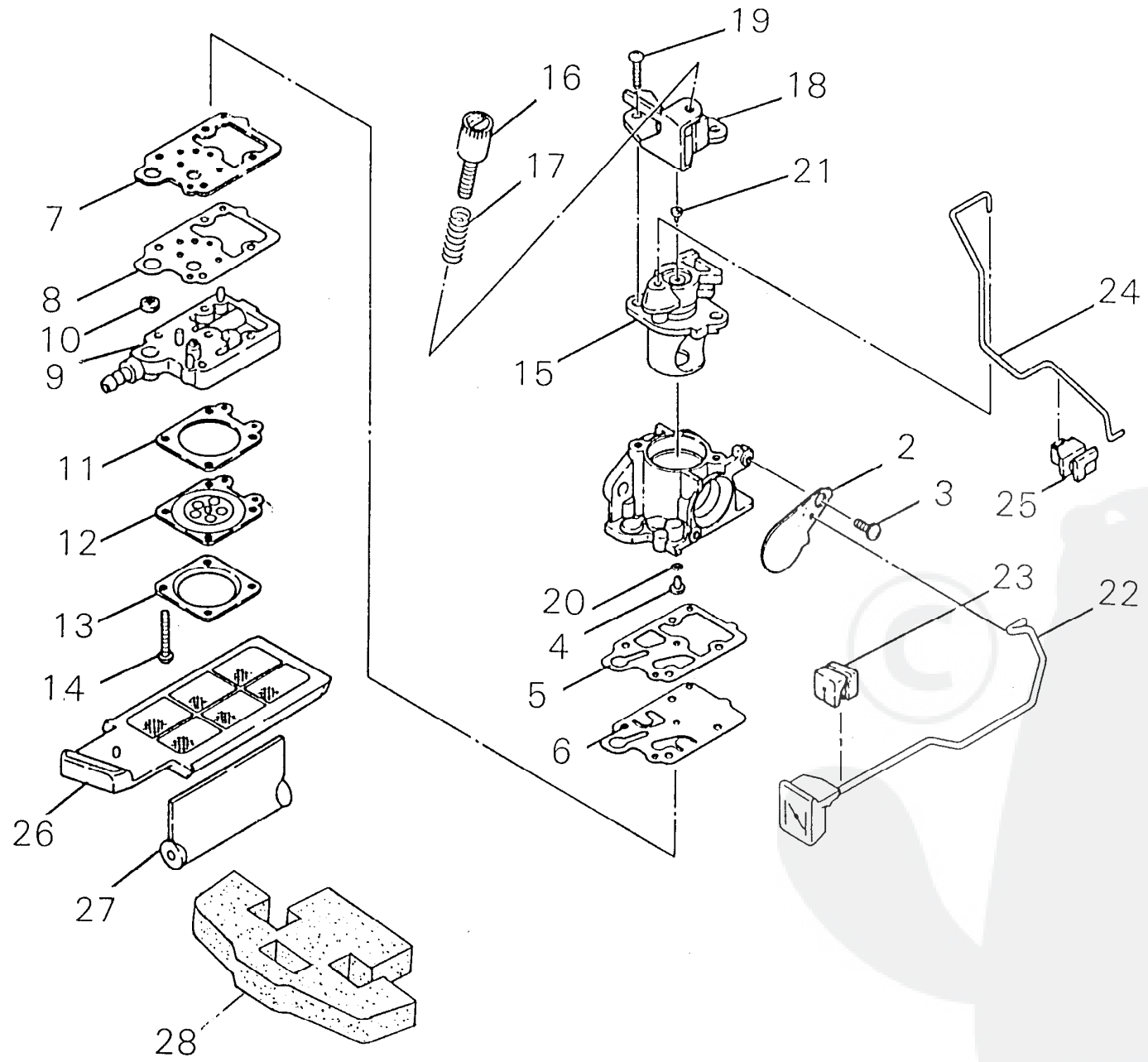
6- 1	22154-71100	ROTOR	1
2	20024-71610	COIL	1
3	22154-71810	INSULATOR	2
4	11060-04240	BOLTADHESIVE	2
5	02403-03100	KEY	1
6	01600-08201	SPRINGWASHER	1
7	22100-43231	NUT	1
8	22154-72220	PLUGCAP	1
9	22154-72230	SPRINGPLUG	1
10	70064-72110	TUBE	1
11	22154-72240	CLIP	1
12	13000-13507	SPARKPLUGBPMR7A	1



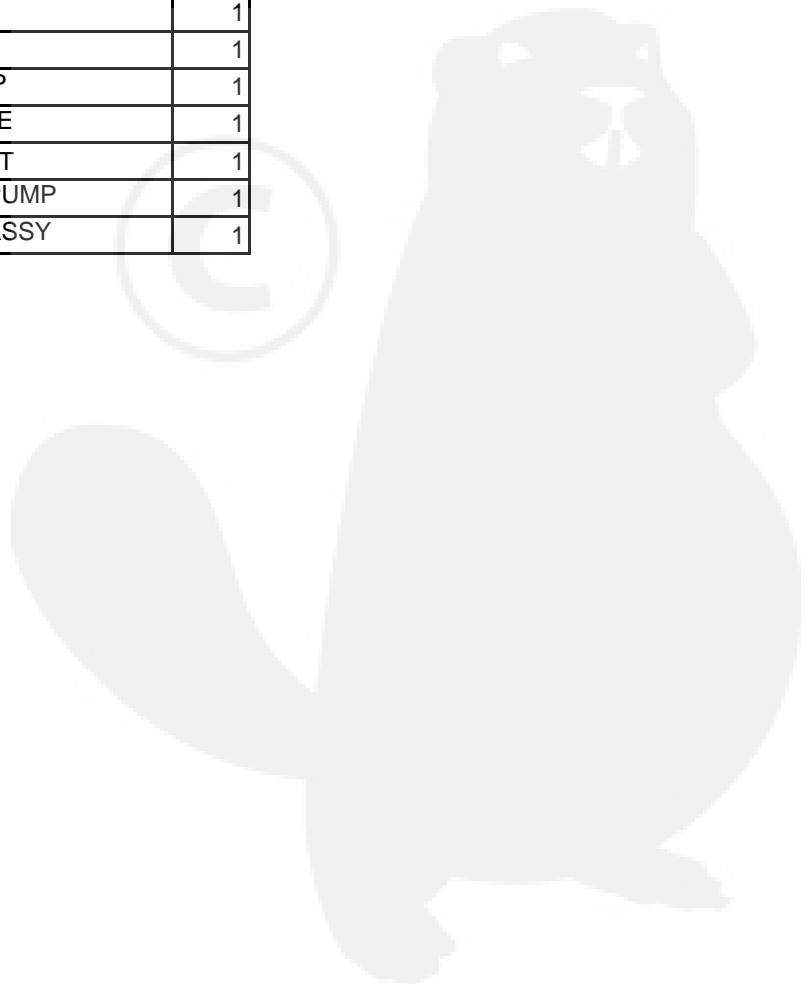


7-	22154-75101	RECOILSTARTERSUBASSY	1
1	22154-75112	*RECOILCASE	1
2	22154-75210	*REEL	1
3	22154-75310	*RECOILSPRING	1
4	22154-75341	*RATCHET	1
5	22154-75353	*GUIDE	1
6	22154-75360	*FRICTIONSPRING	1
7	22154-75380	*WASHER	1
8	22154-75371	*THRUSTWASHER	1
9	20035-75170	*SCREW	1
10	22154-75410	*ROPE	1
11	22154-75420	*KNOBRECOIL	1
12	22154-75430	*STOPPERKNOB	1
13	72306-75440	LABELTRADE	1
14	22154-75610	AIRPLATE	1
15	11206-04200	SCREWPMSPW	4

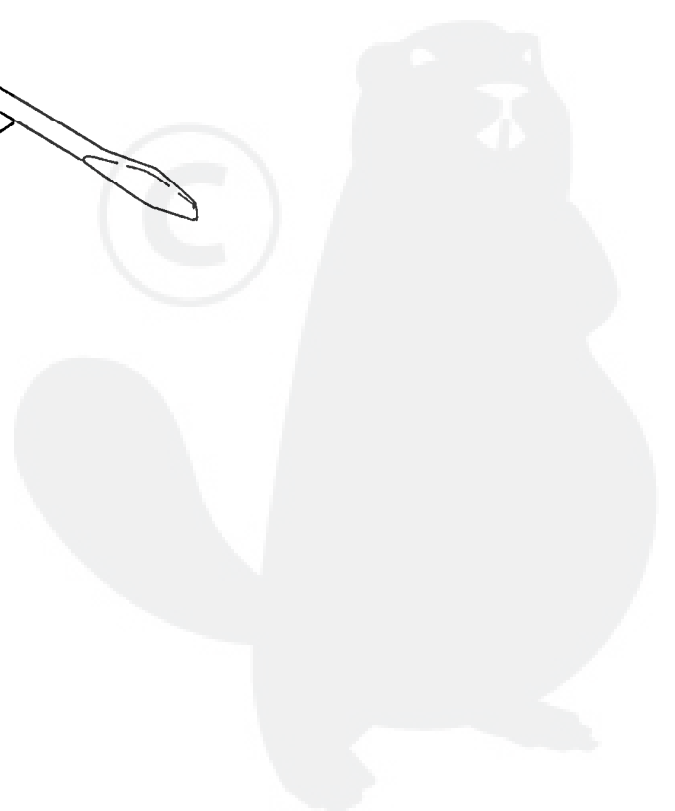
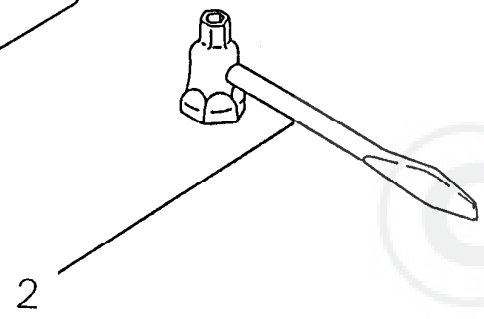
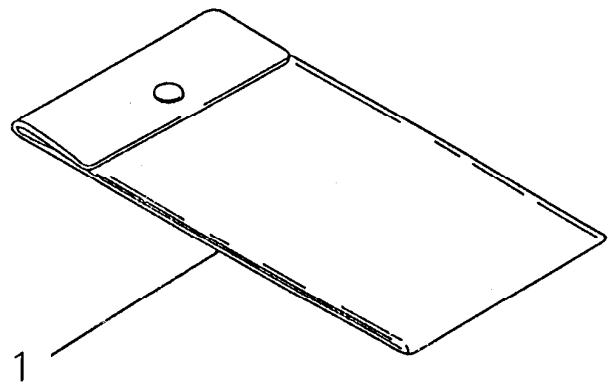




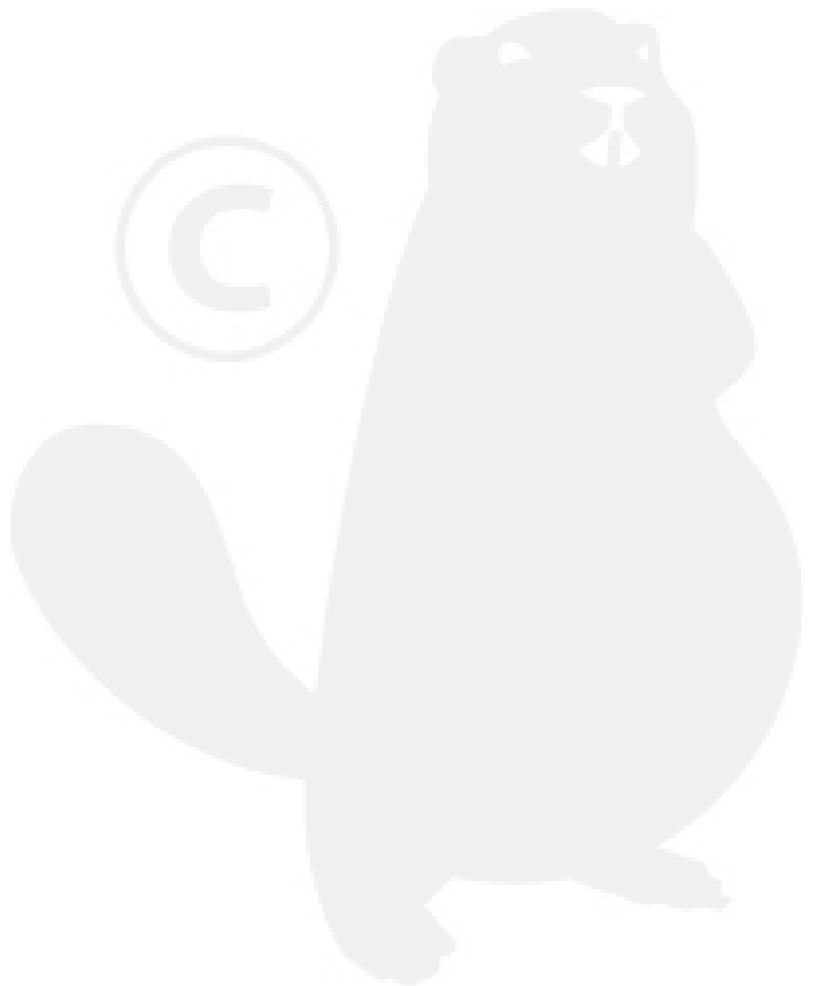
8-	22137-81000	CARBURETORASSY	1
2	22154-81120	*CHOKEVALVE	1
3	22154-81130	*SCREW	1
4	22137-81140	*JET	1
5	22154-81150	*GASKETPUMP	1
6	22154-81160	*DIAPHRAGMPUMP	1
7	22154-81170	*PLATEPUMP	1
8	22154-81180	*GASKETPLATE	1
9	22137-81190	*PUMPBODYASSY	1
10	70030-81380	*SCREEN	1
11	22100-81290	GASKETDIAPHRAGM	1
12	22100-81260	*DIAPHRAGMASSY	1
13	22100-81280	*COVERDIAPHRAGM	1
14	70097-81141	*SCREW	4
15	22137-81230	*THROTTLEVALVE	1
16	22154-81410	*IDLESCREW	1
17	22154-81420	*SPRINGIDLE	1
18	22154-81430	*BRACKET	1
19	22154-81440	*SCREW	2
20	70097-81220	*ORING	1
21	22154-81270	*PLUG	1
22	22137-82120	CHOKEROD	1
23	22137-82130	GROMMETCHOKE	1
24	22154-82140	THROTTLEROD	1
25	22154-82150	GROMMETROD	1
26	22154-82310	AIRCLEANER	1
27	22154-82320	SHUTTER	1
28	72298-82330	FILTER	1
	22154-81910	GASKETKIT	1
5	22154-81150	*GASKETPUMP	1
8	22154-81180	*GASKETPLATE	1
	22154-81920	DIAPHRAGMKIT	1
6	22154-81160	*DIAPHRAGMPUMP	1
12	22100-81260	*DIAPHRAGMASSY	1

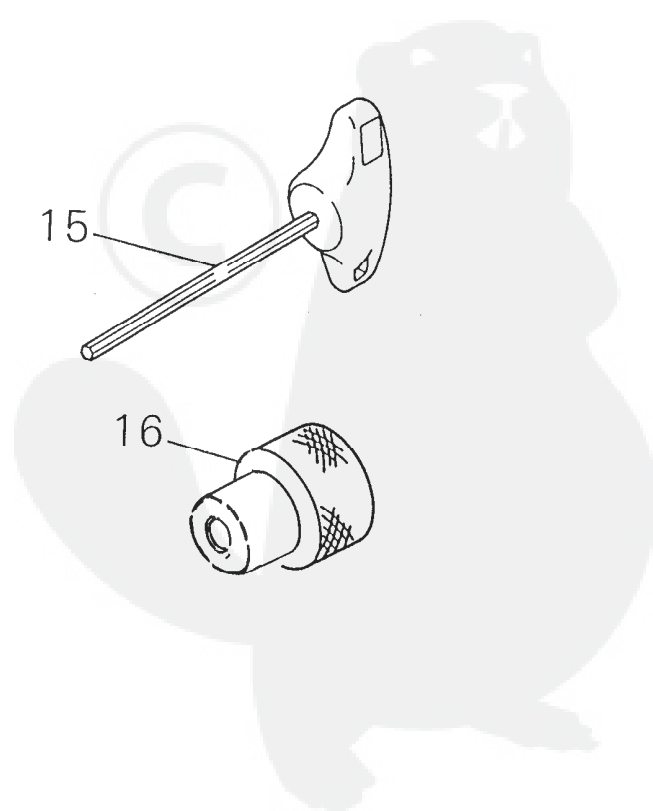
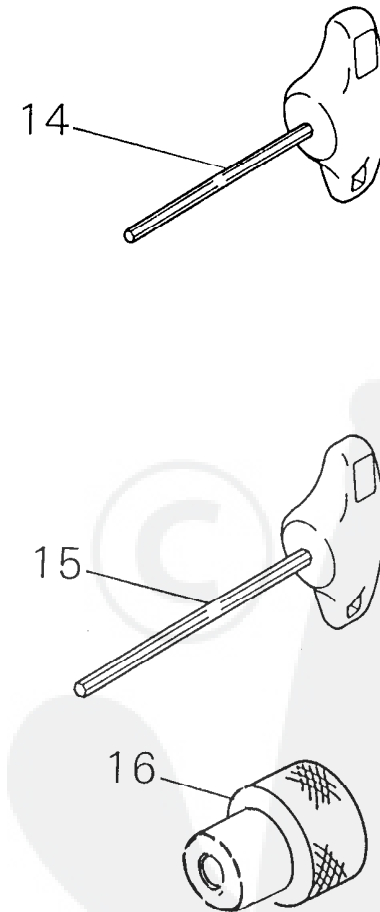
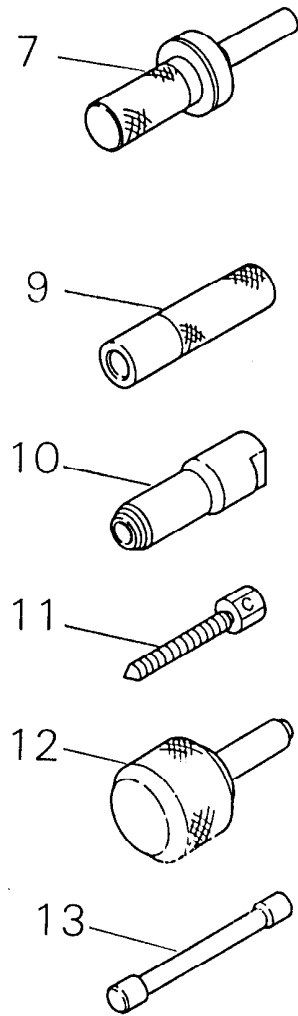
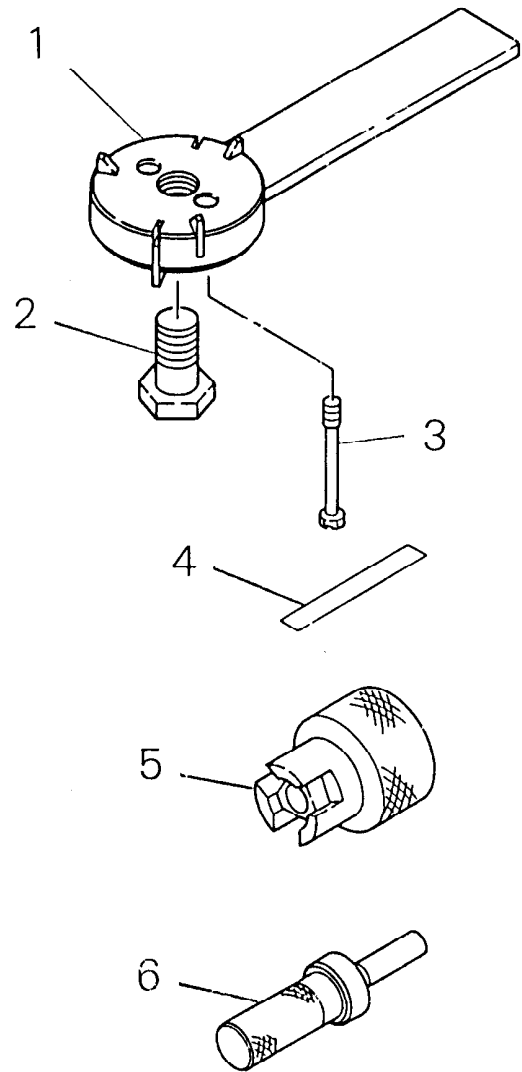






9-	72306-91000	TOOLSET	1
1	19639-01100	*POLYBAG	1
2	22150-91410	*PLUGWRENCH	1





10-	22154-96100	PULLERASSY	1
1	22154-96110	*PULLER	1
2	22100-96121	*CENTERBOLT	1
3	22102-96130	*BOLT	2
4	22154-96210	SETGAUGE	1
5	22154-96410	HOLDER	1
6	22154-96420	RODOILSEAL	1
7	22154-96430	RODBEARING	1
9	22154-96440	RODOILSEALOUT	1
	22150-96600	PULLERMASSY	1
10	22150-96610	*PULLERM	1
11	22150-96620	*BOLT	1
12	22154-96460	PLUGBUSH	1
13	22155-96240	PISTONSTOPPER	1
14	22155-96521	TWRENCH4	1
15	22155-96531	TWRENCH5	1
16	22154-96220	SETGAUGE	1

