

# shindaiwa

## PARTS PRICE LIST

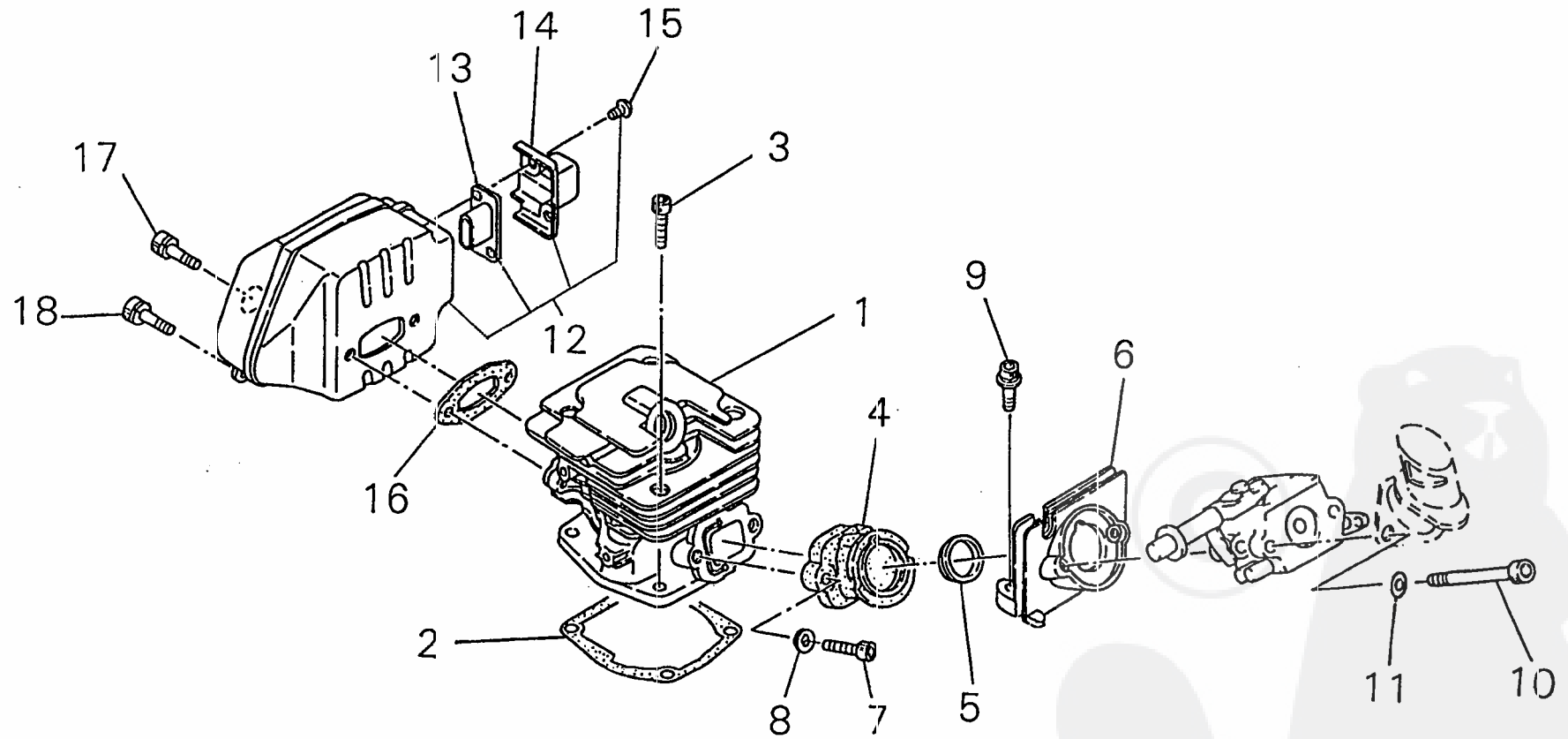
377

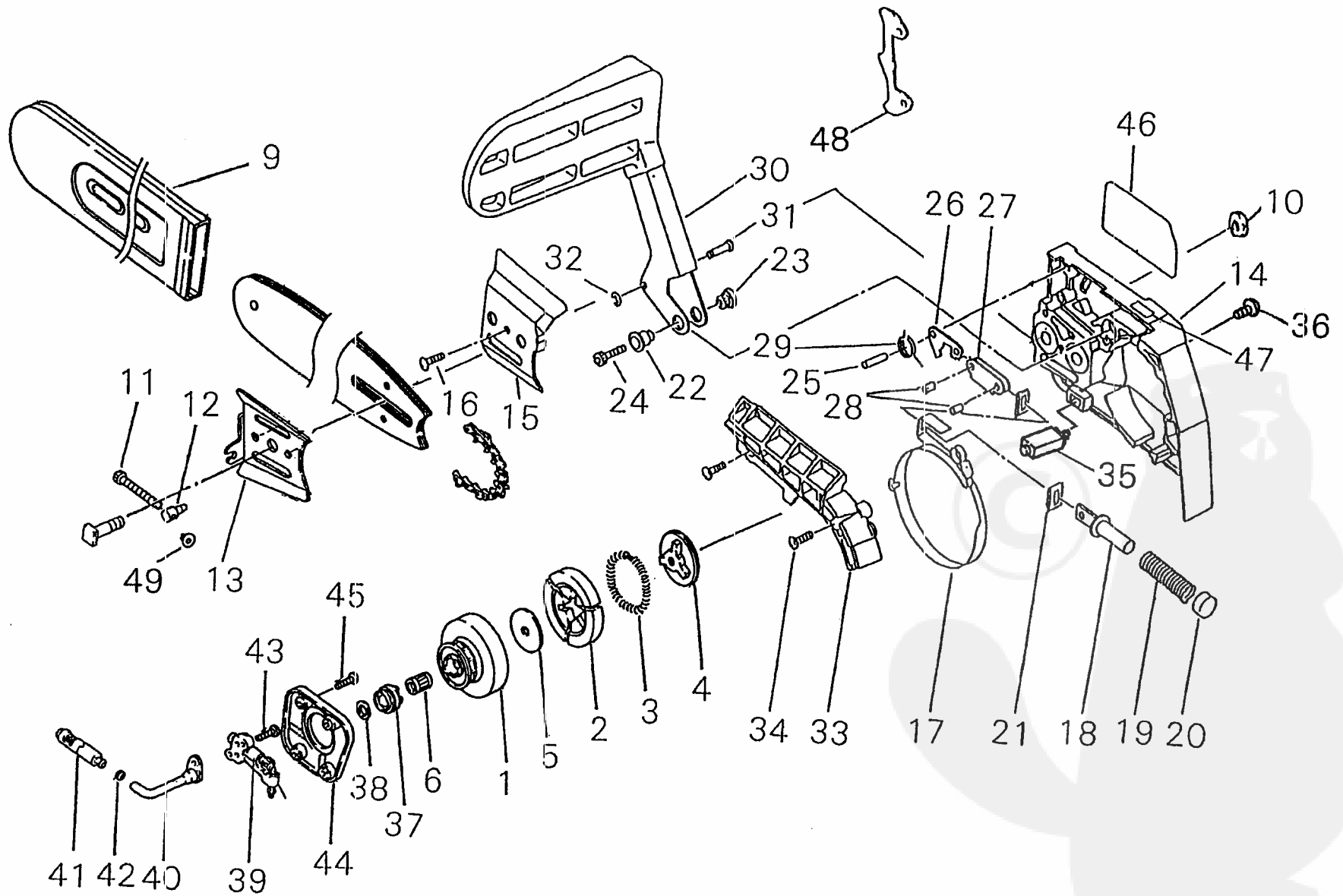
**Shindaiwa Kogyo Co.,Ltd.**

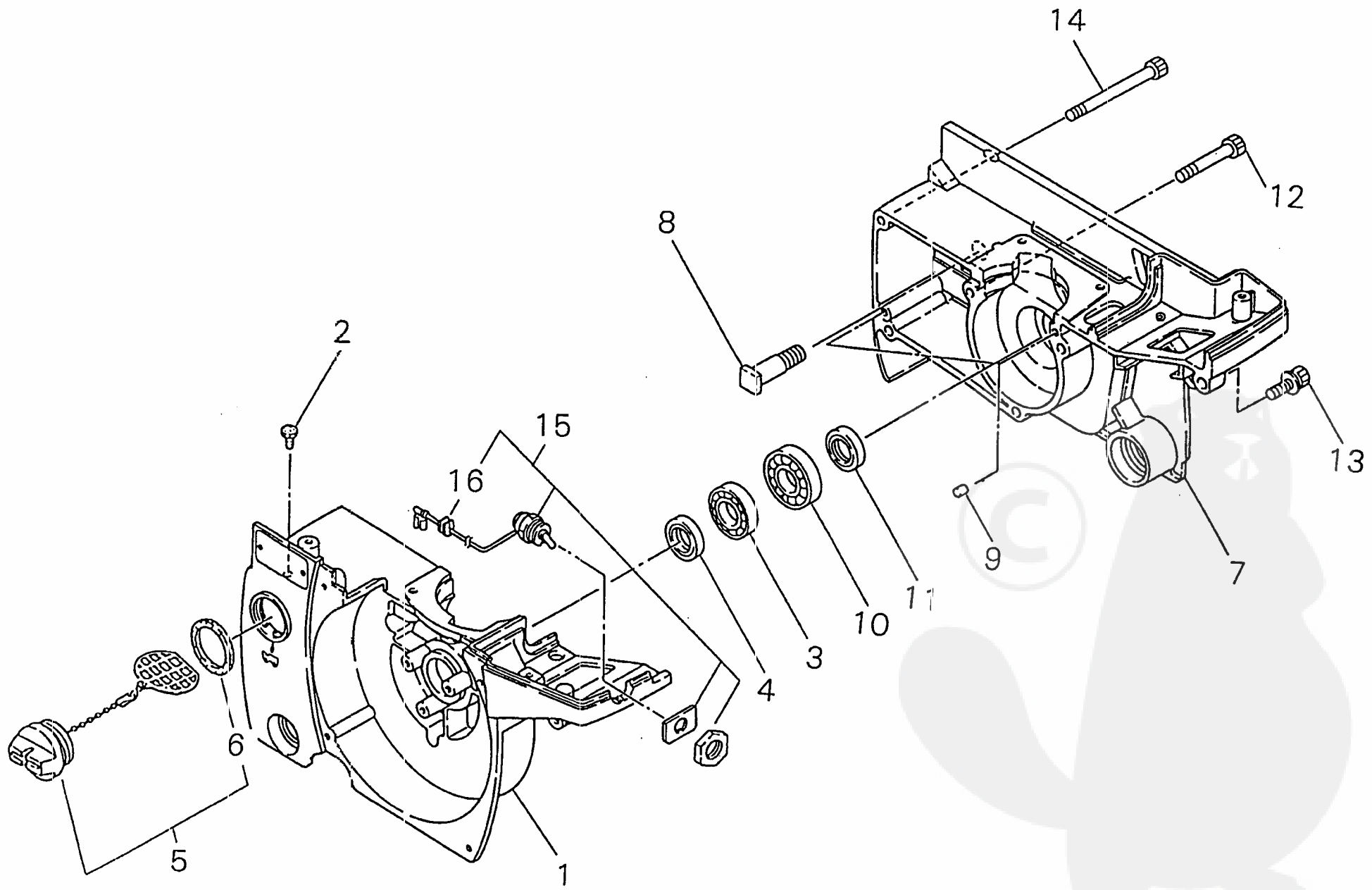
6-2-11,Ozuka -Nishi, Asaminami-ku, Hiroshima, 731-3167, Japan

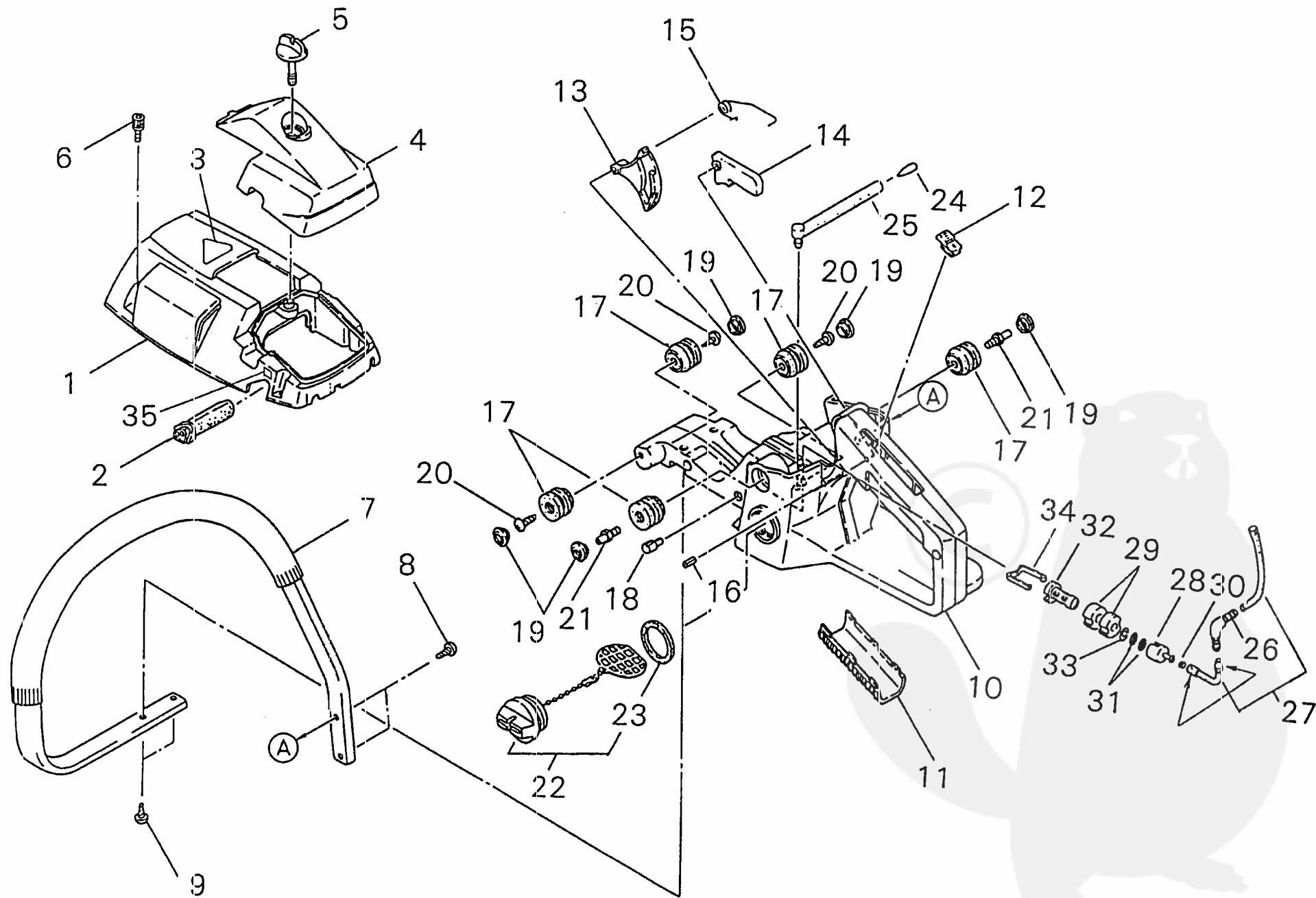
Telephone (082) 849-2005 Fax (082) 849-2481

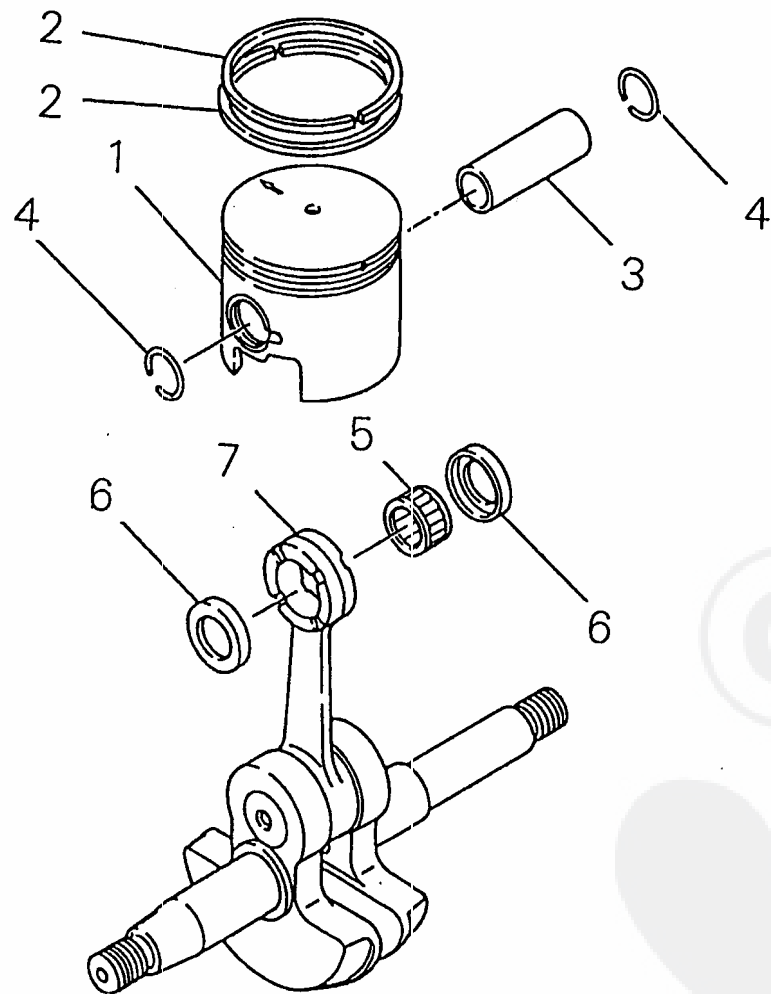
377/CE  
OCT. 28, 2002  
Printed in Japan

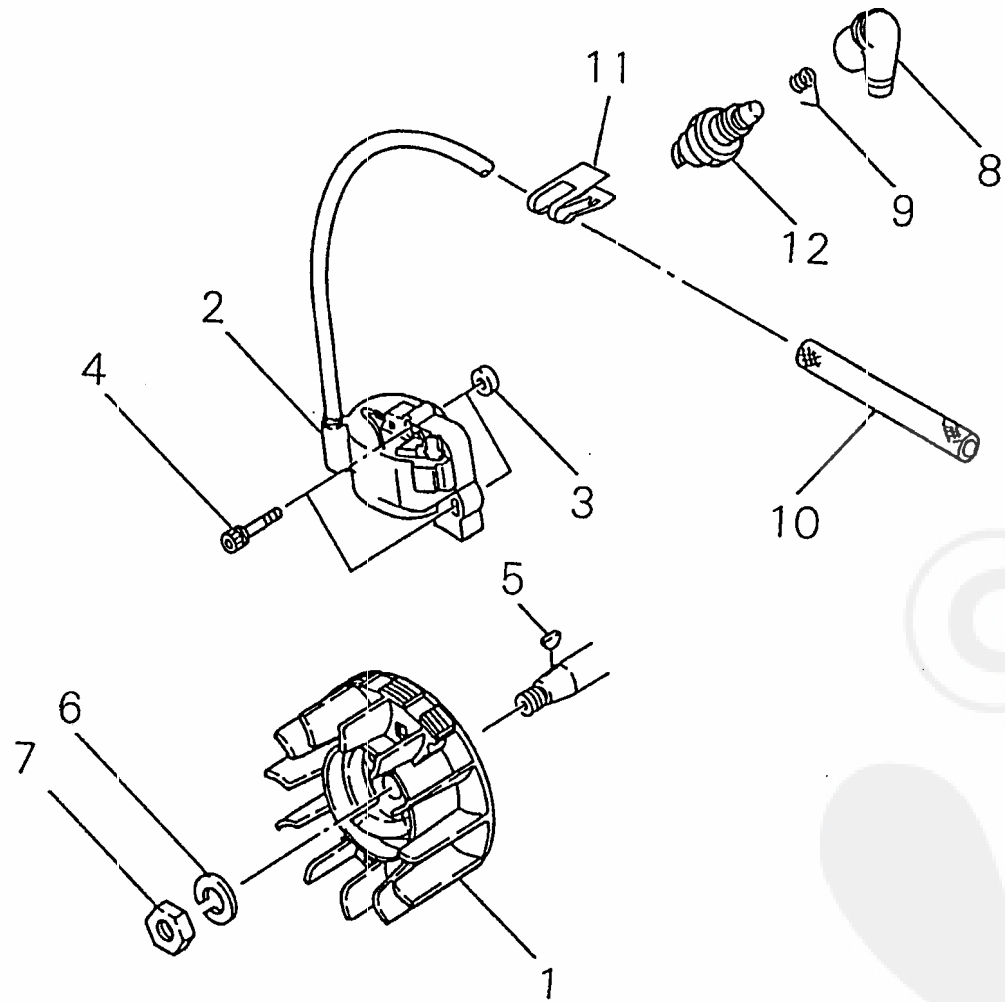


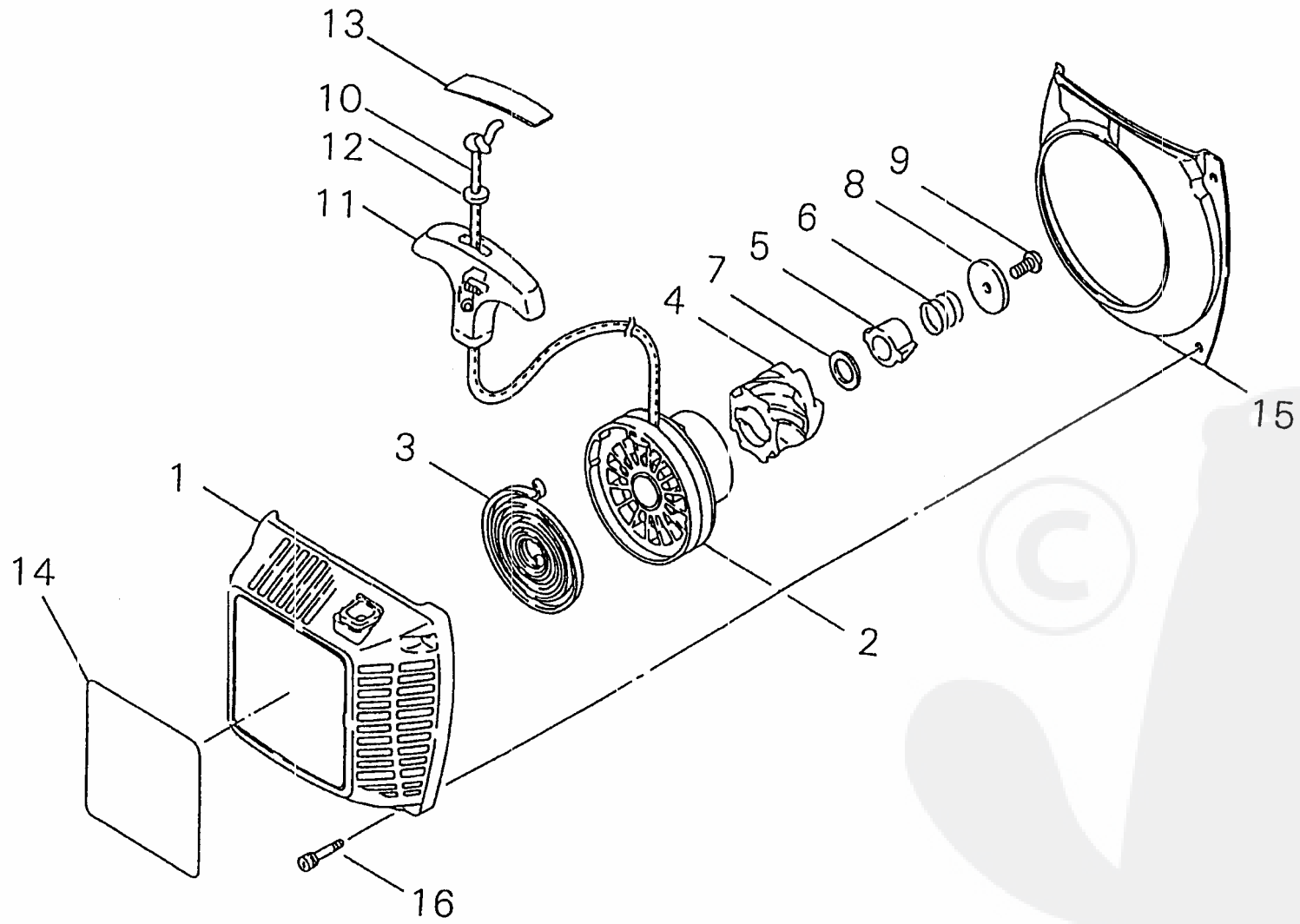




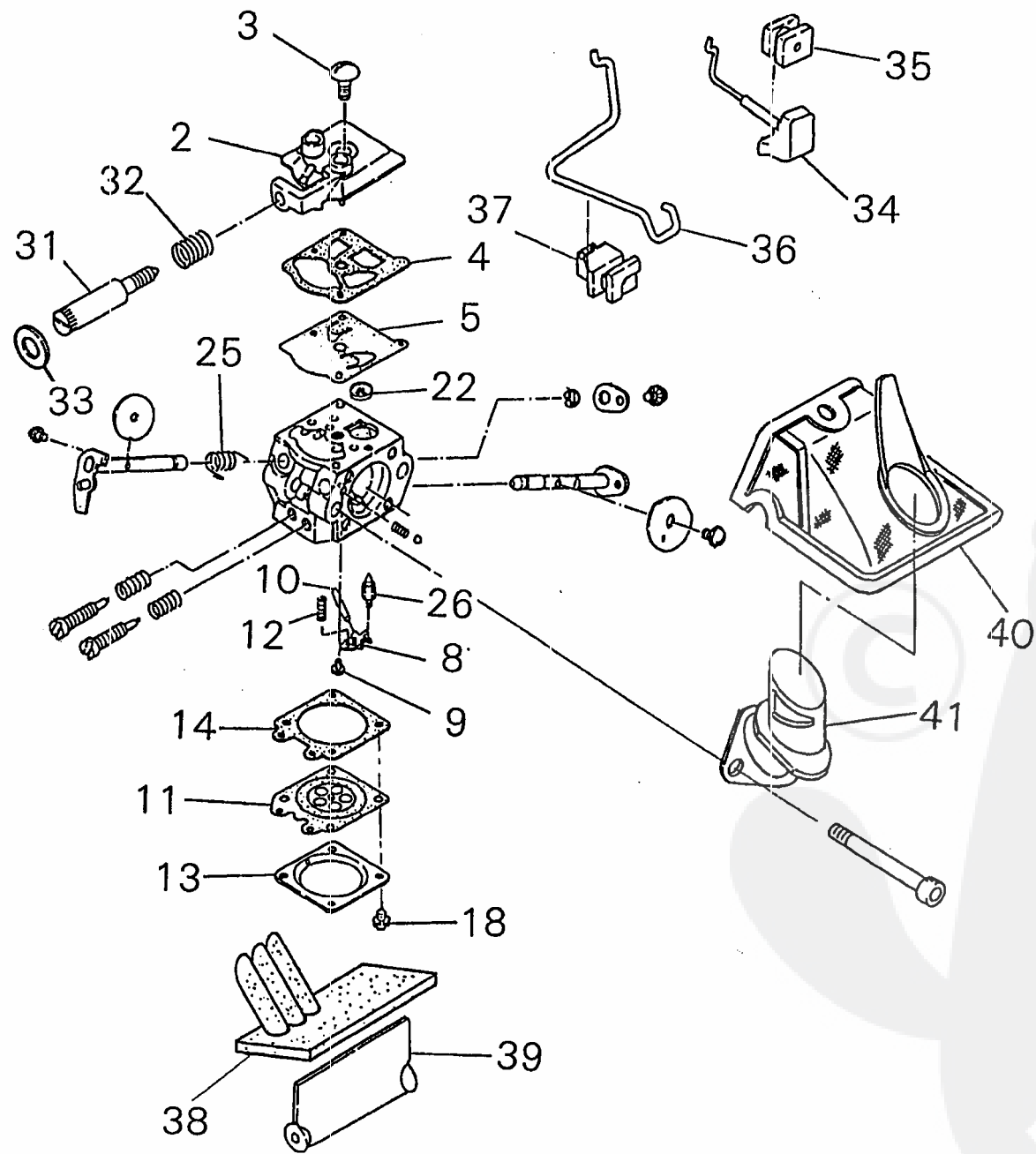


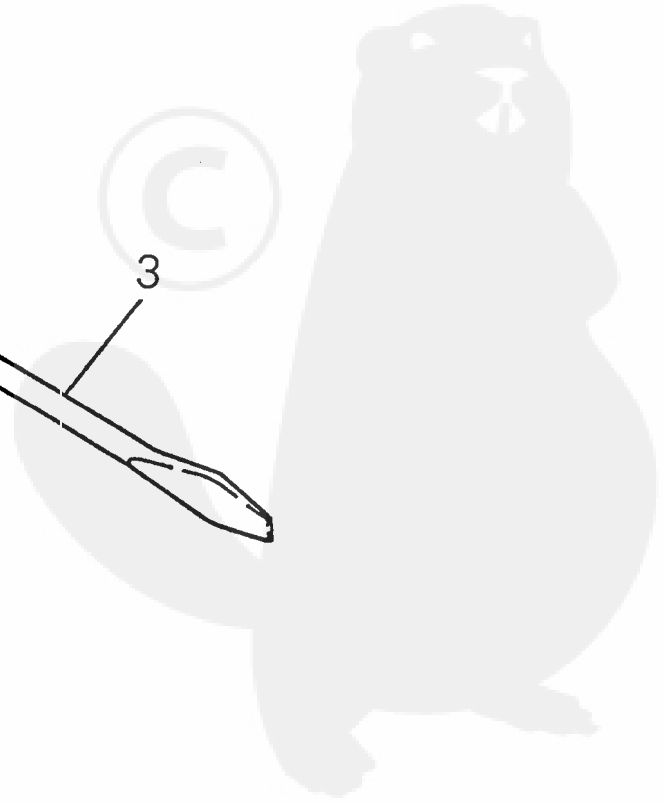
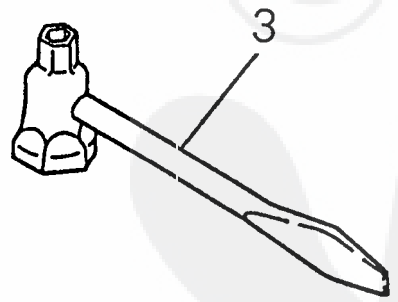
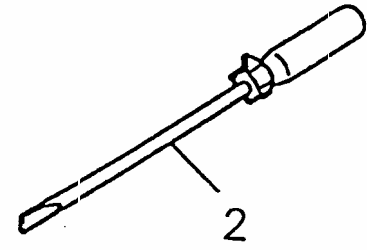
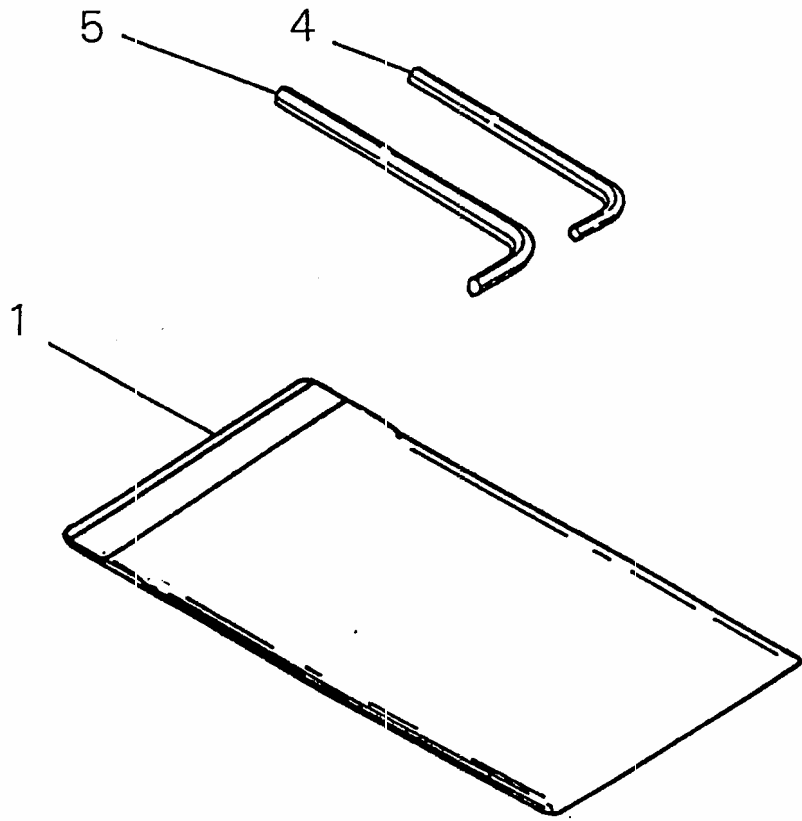


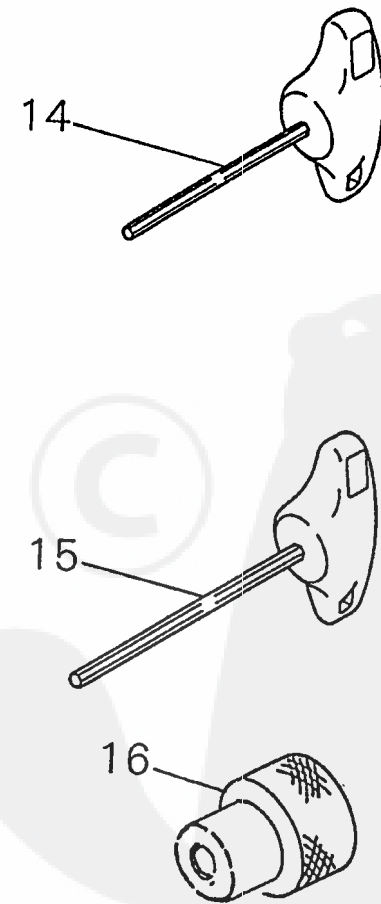
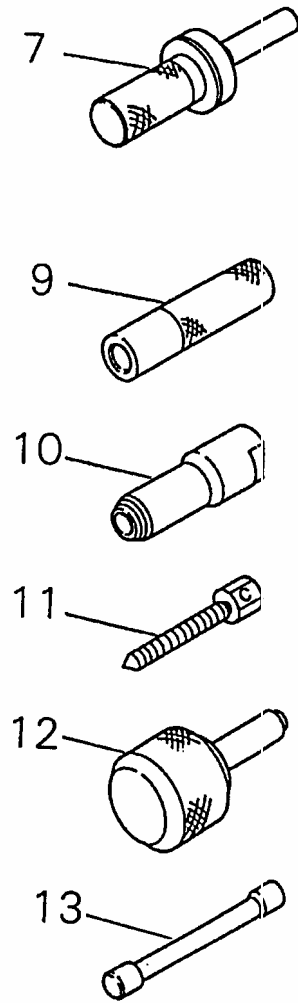
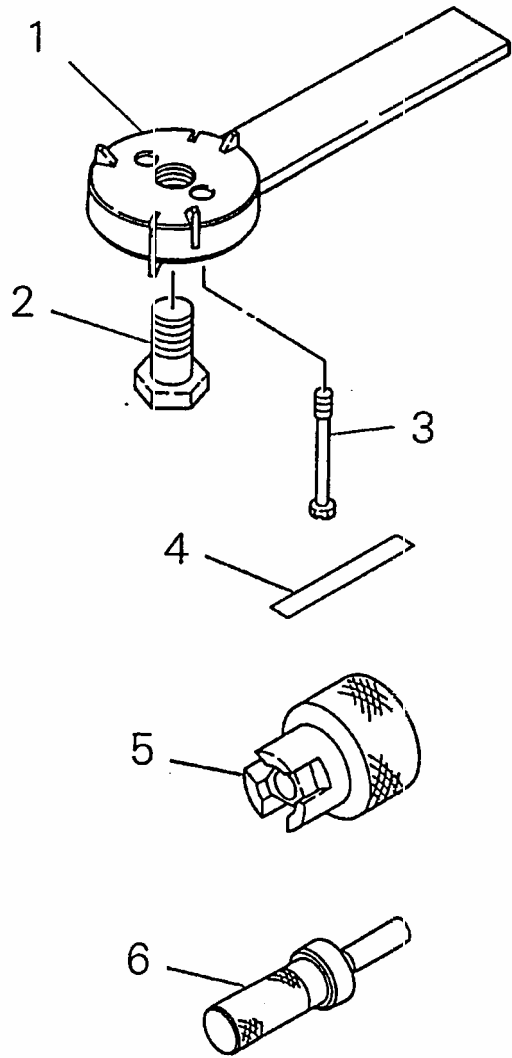












Ref. No	Part No.	Part Name	Q'ty
1- 1	22180-12110	CYLINDER	1
2	22154-12120	GASKETCYLINDER	1
3	22154-12130	BOLT	4
4	22156-12152	BOOT	1
5	22156-14140	SLEEFVE	1
6	22177-12170	BRACKET	1
7	11060-04120	BOLTADHESIVE	2
8	01610-04050	WASHER	2
9	11060-04141	BOLTADHESIVE	2
10	11060-05400	BOLTADHESIVE	2
11	01610-05080	WASHER	2
12	22166-15100	MUFFLERSUBASSY	1
13	22166-15120	*TAILPIPE	1
14	22156-15130	*TAILPLATE	1
15	11203-04060	*SCREWPM	2
16	22156-15210	GASKETMUFFLER	1
17	11020-05160	BOLT SW	2
18	11020-05160	BOLT SW	2
2-	22159-21200	CRANKCASEMCOMP	1
1	22159-21211	*CRANKCASEM	1
2	22115-57120	*VALVEOILTANK	1
3	12900-60010	*BEARING	1
4	22150-21250	*OILSEAL	1
5	22160-21302	OILCAPASSY	1
6	22160-21351	*GASKETCAP	1
	22159-21500	CRANKCASECCOMP	1
7	22159-21510	*CRANKCASEC	1
8	22120-12260	*BOLTBAR	2
9	12492-40080	*ROLLER	2
10	12900-62010	*BEARING	1
11	22150-21250	*OILSEAL	1
12	11060-05300	BOLTADHESIVE	3
13	11060-05182	BOLTADHESIVE	1
14	11060-05450	BOLTADHESIVE	2
15	22156-22100	SWITCHASSY	1
16	22156-22150	*GROMMET	1
3- 1	22180-31110	CYLINDERCOVER	1
2	22156-31120	GROMMETHL	1
3	19402-00083	LABELCAUTION	1
4	22159-31210	CLEANERCOVER	1

5	22155-92520	KNOBCLEANERCOVER	1
6	11060-04160	BOLTADHESIVE	3
7	22156-32111	FRONTHANDLE	1
8	11029-50210	BOLTHILO	2
9	11029-50170	BOLTHILO	2
	22156-33101	REARHANDLESUBASSY	1
10	22156-33201	*REARHANDLE	1
11	22156-33230	*GRIP	1
12	22154-33310	*SLIDESTOPPER	1
13	22154-33320	*THROTTLELEVER	1
14	22154-33330	*LOCKLEVER	1
15	22154-33340	*SPRINGLEVER	1
16	12420-40255	*SPRINGPIN	2
17	22154-33731	CUSHION22	5
18	22154-33750	SUPPORTER	1
19	22154-33740	PLUG22	5
20	22156-33750	BOLTHILO	3
21	22154-33761	STOPBOLT22	2
22	22137-33800	FUELCAPASSY	1
23	22160-21351	*GASKETCAP	1
	22154-33900	BREATHERASSY	1
24	22155-33950	*ELEMENT	1
25	22154-33940	*PIPE	1
26	22155-33930	JOINT	1
	22159-34100	FUELPIPEASSY	1
27	22159-34110	*FUELPIPE	1
	22115-85401	*FUELFILTERSUBASSY	1
28	22128-85410	**WEIGHTFUEL	1
29	22128-85421	**FILTER	2
30	22128-85440	**CLIPFILTER	1
31	22118-85460	**SCREEN	2
32	22128-85470	**SLEEVE	1
33	22128-85480	**RING	1
34	20020-85540	*CLIP	1
35	19401-00094	LABELINST	1
4- 1	22156-41110	PISTON	1
2	22156-41210	PISTONRING	2
3	20010-41310	PISTONPIN	1
4	22100-41230	SNAPRING	2
5	20010-41330	NEEDLEBEARING	1
6	22156-41340	THRUSTWASHER	2
7	22159-42000	CRANKSHAFTASSY	1

5-1	72352-51110	CLUTCHDRUM	1
	72348-51200	CLUTCHASSY	1
2	72348-51220	*CLUTCHSHOE	3
3	22102-51230	*CLUTCHSPRING	1
4	22154-51240	*CLUTCHBOSSB	1
5	22154-51250	CLUTCHBOSSA	1
6	22102-51310	NEEDLEBEARING	1
9	19600-74100	CHAINCOVER	1
10	22150-52411	NUT	2
11	22154-52421	SLIDESCREW	1
12	22150-52440	SLIDEPIECE	1
49	22154-52450	PUSHNUT	1
13	22159-54150	GUIDEPLATEA	1
48	22154-52530	SPIKE	1
	72328-54012	BRAKEASSY	1
	72328-54190	*CLUTCHCOVERSUBASSY	1
14	72328-54110	**CLUTCHCOVER	1
15	22159-54160	**GUIDEPLATEB	1
16	01270-04082	**SCREWTAPPING	1
17	72345-54210	*BRAKEBAND	1
18	72316-54220	*HOLDERSPRING	1
19	72346-54230	*BRAKESPRING	1
20	72316-54240	*STOPPER	1
21	72316-54310	*ADJUSTPLATE	2
22	72316-54520	*HOLDER	1
23	72316-54530	*NUTLEVER	1
24	01020-04120	*BOLT	1
25	12492-40140	*ROLLER	1
26	22173-54561	*INNERLEVER	1
27	72316-54570	*TIESTRAP	1
28	12492-40080	*ROLLER	2
29	72316-54580	*SPRINGLEVER	1
30	72316-54511	*LEVER	1
31	72316-54540	*PINLEVER	1
32	02434-30060	*SNAPRING	1
33	72327-54610	*COVER	1
34	01270-04122	*SCREWTAPPING	2
35	22154-54611	*CHAINCATCHER	1
36	01275-03102	*SCREWTRUSST	1
37	22154-55110	GEAR	1
38	22154-55120	THRUSTPLATE	1
39	22156-55200	OILPUMPASSY	1

	22154-55301	OILPIPEASSY	1
40	22154-55310	*OILPIPE	1
41	22154-55330	*OILFILTER	1
42	22154-85540	*CLIPOIL	1
43	11205-04120	SCREWPM	2
44	22154-56110	PUMPCOVER	1
45	11205-04120	SCREWPM	4
46	72306-54140	NAMEPLATEC	1
47	19401-00093	LABELINST	1
6-1	22154-71100	ROTOR	1
2	20024-71610	COIL	1
3	22154-71810	INSULATOR	2
4	11060-04240	BOLTADHESIVE	2
5	02403-03100	KEY	1
6	01600-08201	SPRINGWASHER	1
7	22100-43231	NUT	1
8	22160-72220	PLUGCAP	1
9	22154-72230	SPRINGPLUG	1
10	70064-72110	TUBE	1
11	22154-72240	CLIP	1
12	13000-13507	SPARKPLUGBPMR7A	1
7-	72326-75101	RECOILSTARTERSUBASSY	1
1	22154-75112	*RECOILCASE	1
2	22154-75210	*REEL	1
3	22159-75310	*RECOILSPRING	1
4	22154-75341	*RATCHET	1
5	22154-75353	*GUIDE	1
6	22154-75360	*FRICTIONSPRING	1
7	22154-75371	*THRUSTWASHER	1
8	22154-75380	*WASHER	1
9	20035-75170	*SCREW	1
10	22154-75410	*ROPE	1
11	22159-75420	*KNOBRECOIL	1
12	22104-75430	*STOPPERKNOB	1
13	20010-75230	*TAPE	1
14	72305-75440	NAMEPLATER	1
15	22154-75610	AIRPLATE	1
16	11060-04200	BOLTADHESIVE	4
8-	22159-81000	CARBURETORASSY	1
2	22156-81120	*PUMPCOVERASSY	1
3	22100-81130	*SCREW	1
4	22128-81140	*GASKETPUMPCOVER	1

5	22129-81150	*DIAPHRAGMPUMP	1
8	22100-81230	*LEVER	1
9	22100-81240	*SCREW	1
10	22100-81250	*PIN	1
11	22100-81260	*DIAPHRAGMASSY	1
12	22120-81270	*SPRINGLEVER	1
13	22100-81280	*COVERDIAPHRAGM	1
14	22100-81290	*GASKETDIAPHRAGM	1
18	22100-81351	*SCREW	4
22	70030-81380	*SCREEN	1
25	22100-81410	*SPRINGSHAFT	1
26	20036-81440	*NEEDLEVALVE	1
31	22156-81410	*IDLESCREW	1
32	22156-81420	*SPRINGIDLE	1
33	22156-81440	*SEALCOLLAR	1
34	22159-82120	CHOKEROD	1
35	22180-82130	GROMMETCHOKE	1
36	22159-82140	THROTTLEROD	1
37	22154-82150	GROMMETROD	1
38	72300-82610	SILENCER	1
39	22154-82320	SHUTTER	1
40	22159-82411	AIRCLEANER	1
41	22159-82431	ELBOW	1
	22128-81920	GASKETKIT	1
4	22128-81140	*GASKETPUMPCOVER	1
14	22100-81290	*GASKETDIAPHRAGM	1
	22128-81910	DIAPHRAGMKIT	1
5	22128-81150	*DIAPHRAGMPUMP	1
11	22100-81260	*DIAPHRAGMASSY	1
9-	72297-91000	TOOLSET	1
1	19639-01100	*POLYBAG	1
2	22150-91160	*DRIVER	1
3	22150-91410	*PLUGWRENCH	1
4	09026-03001	*HEXAWRENCH	1
5	09026-04001	*HEXAWRENCH	1
10-	22154-96100	PULLERASSY	1
1	22154-96110	*PULLER	1
2	22100-96121	*CENTERBOLT	1
3	22102-96130	*BOLT	2
4	22154-96210	SETGAUGE	1
5	22154-96410	HOLDER	1
6	22154-96420	RODOILSEAL	1



7	22154-96430	RODBEARING	1
9	22154-96440	RODOILSEALOUT	1
	22150-96600	PULLERMASSY	1
10	22150-96610	*PULLERM	1
11	22150-96620	*BOLT	1
12	22154-96460	PLUGBUSH	1
13	22155-96240	PISTONSTOPPER	1
14	22155-96521	TWRENCH4	1
15	22155-96531	TWRENCH5	1
16	22154-96220	SETGAUGE	1

