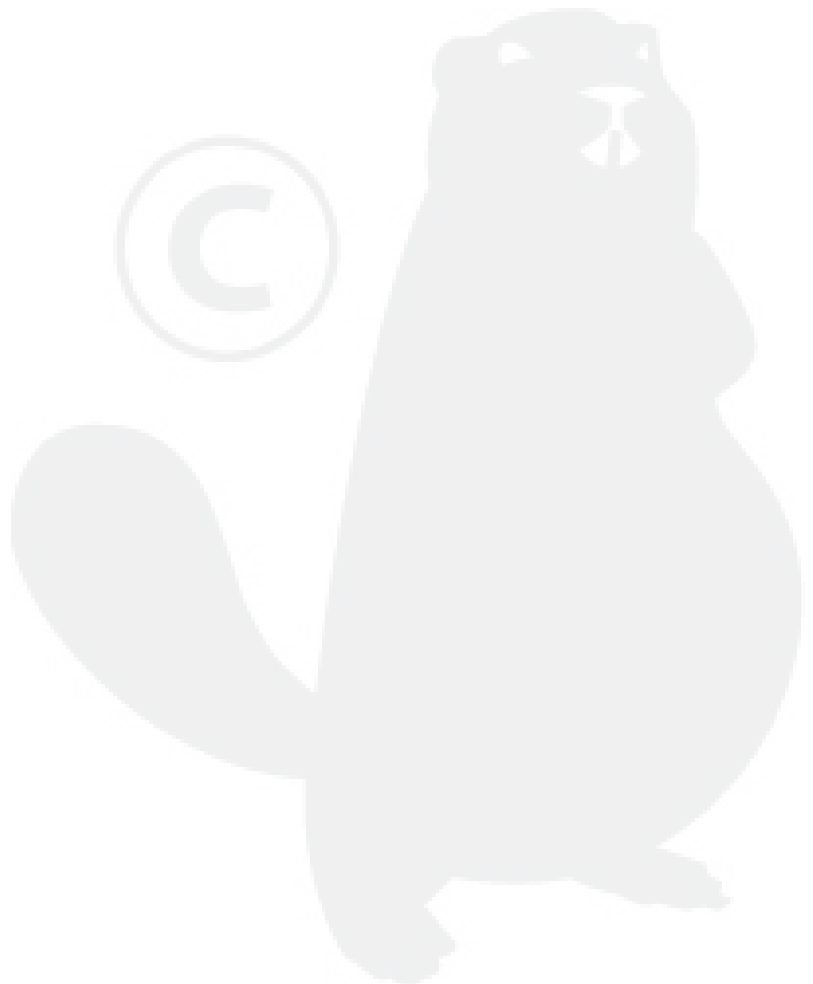
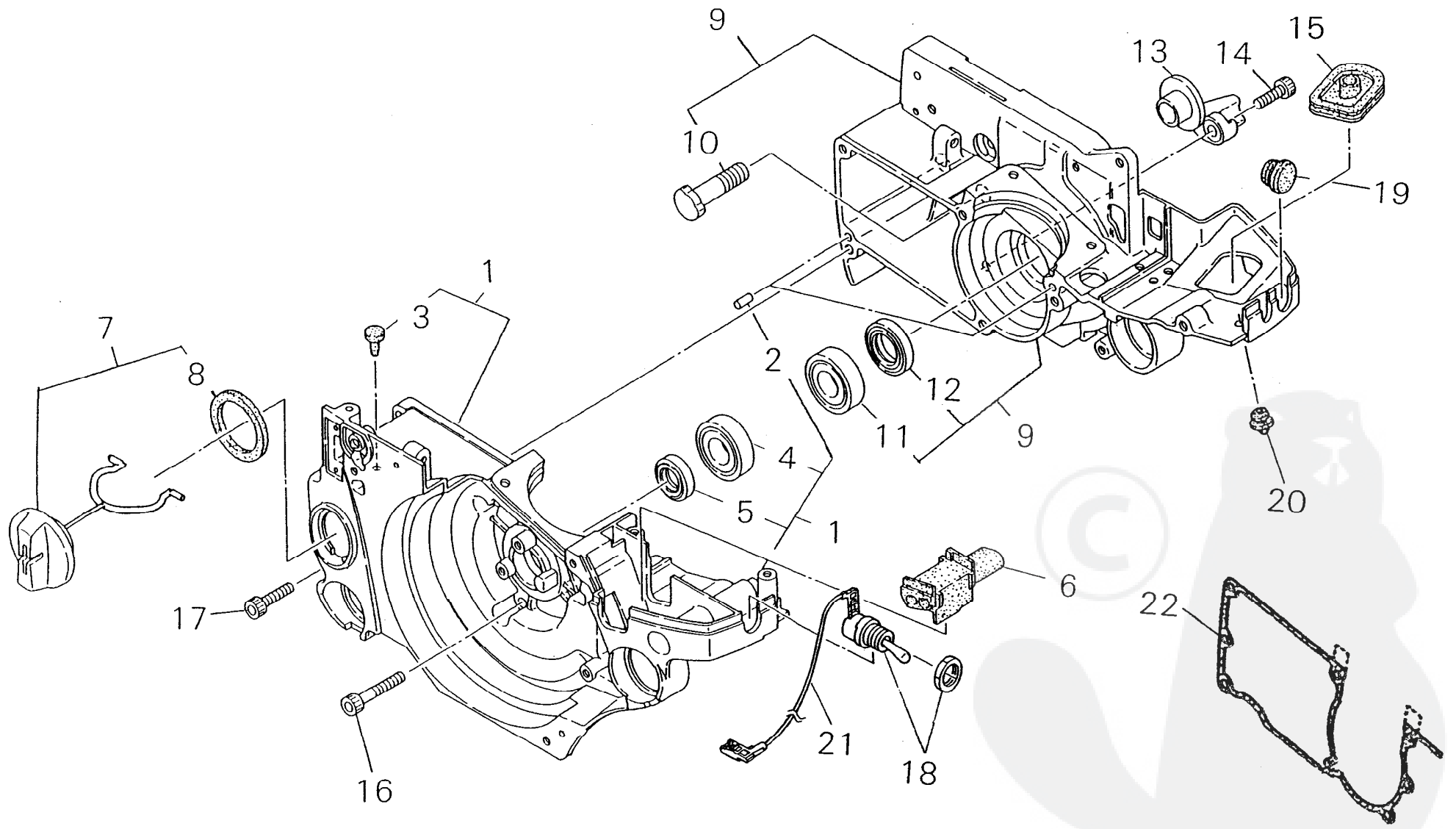


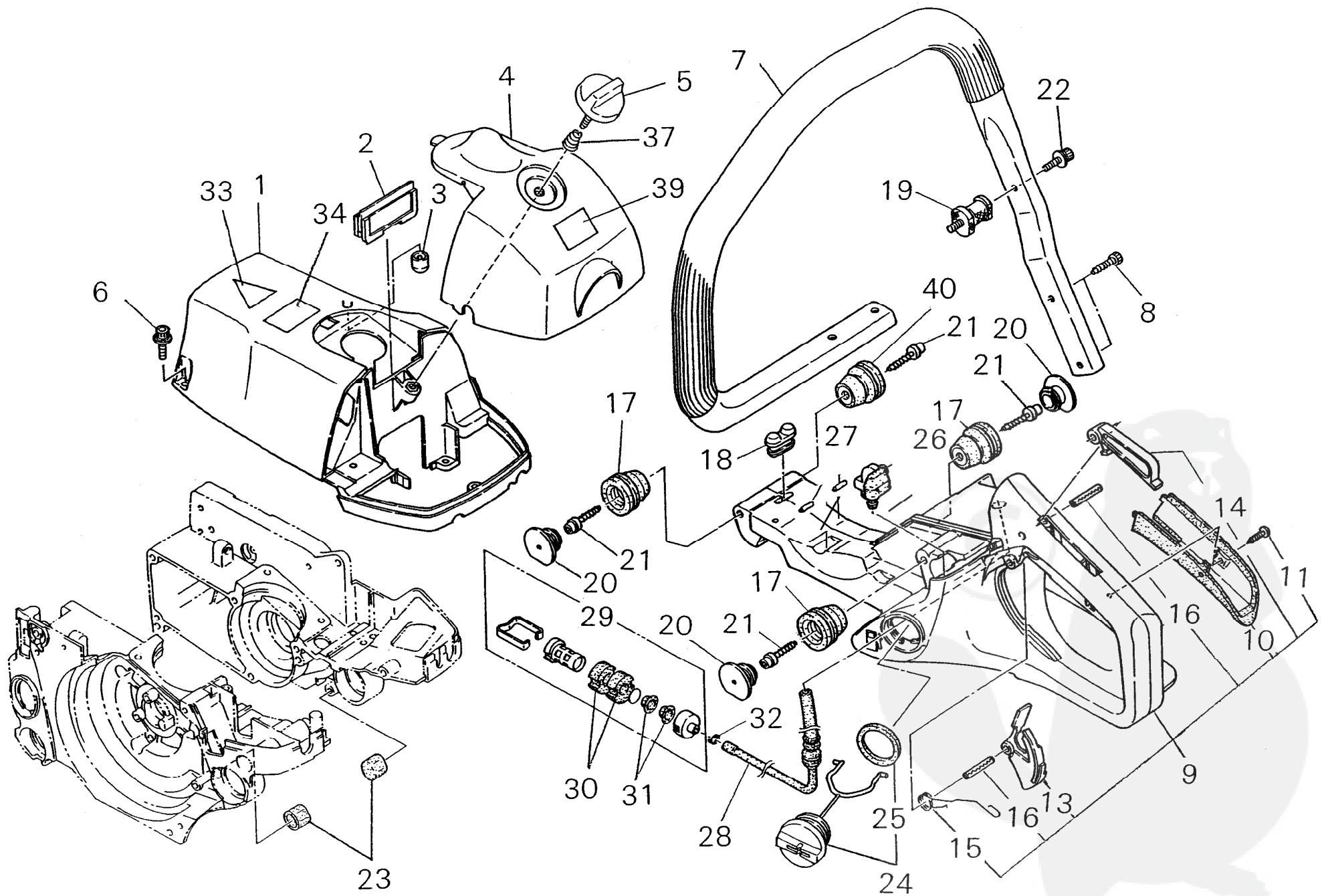
Ref. No	Part No.	Part Name	Q`ty
1- 1	22182-12111	CYLINDER	1
2	22102-12250	*PULSEJOINT	1
3	22182-12120	GASKETCYLINDER	1
4	01020-05180	BOLT	4
5	22182-12151	BOOT	1
6	22182-14140	SLEEVE	1
7	22182-12160	SPRING	1
8	22182-12170	BRACKET	1
9	11022-04160	BOLTSPW	3
10	01020-05480	BOLT	2
11	01610-05080	WASHER	2
12	72357-15111	MUFFLER	1
13	72311-15210	*TAILPLATE	1
14	11203-04060	*SCREWPM	2
16	22182-15120	CAPMUFFLER	1
17	11022-04100	BOLTSPW	1
18	22182-15310	GASKETMUFFLER	1
19	01020-05160	BOLT	4
20	22173-97111	PLUG	1
21	22173-16160	GASKET	1



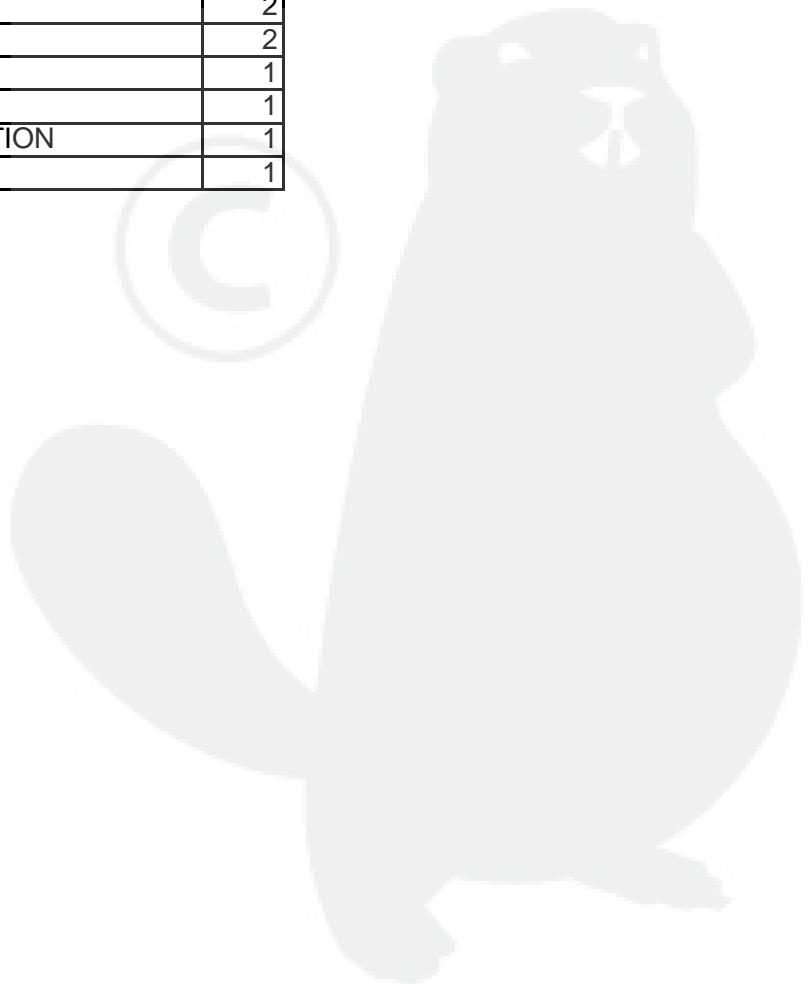


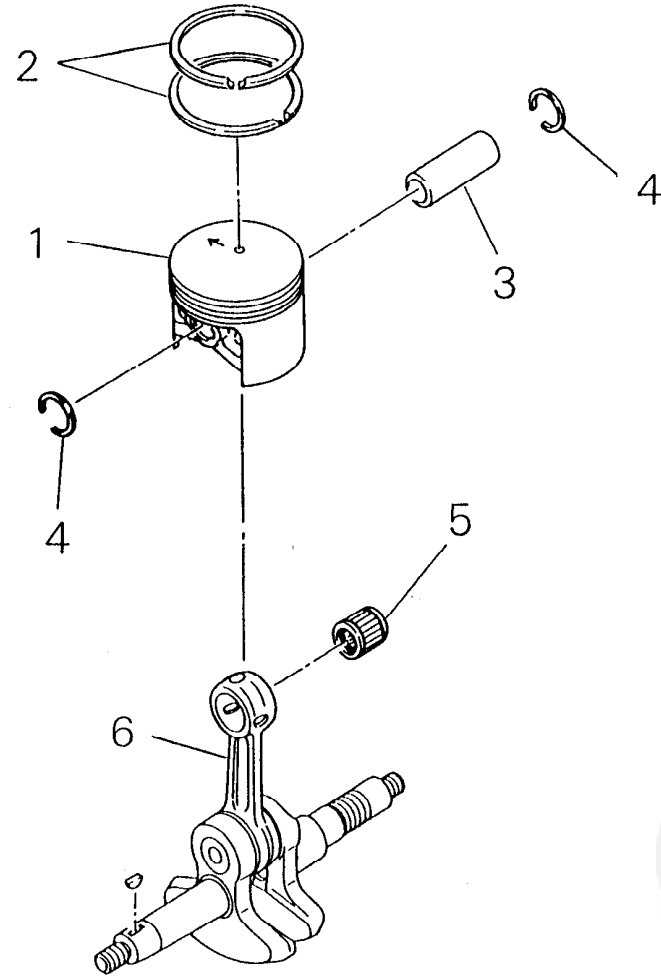
2-1	22197-21200	CRANKCASEMCOMP	1
2	12492-40080	*ROLLER	2
3	22115-57120	*VALVEOILTANK	1
4	02030-06001	*BEARING	1
5	22150-21250	*OILSEAL	1
6	22182-21270	GROMMET	1
7	72320-31403	CAPASSY	1
7	72320-31403	CAPASSY	1
8	22160-21351	*GASKETCAP	1
9	22197-21501	CRANKCASECCOMP	1
10	22182-21530	*BOLTBAR	1
11	02030-06002	*BEARING	1
12	22182-21551	*OILSEAL	1
13	22197-21610	CHAINCATCHER	1
14	01020-05120	BOLT	1
15	22182-22211	GROMMETFUEL	1
16	01020-05300	BOLT	3
17	01020-05160	BOLT	3
18	22182-22101	SWITCHASSY	1
19	22160-22220	PLUGSWITCH	1
20	22182-21621	SUPPORTER	1
21	22182-22141	CORD	1
22	39010-21310	GASKETCASE	1





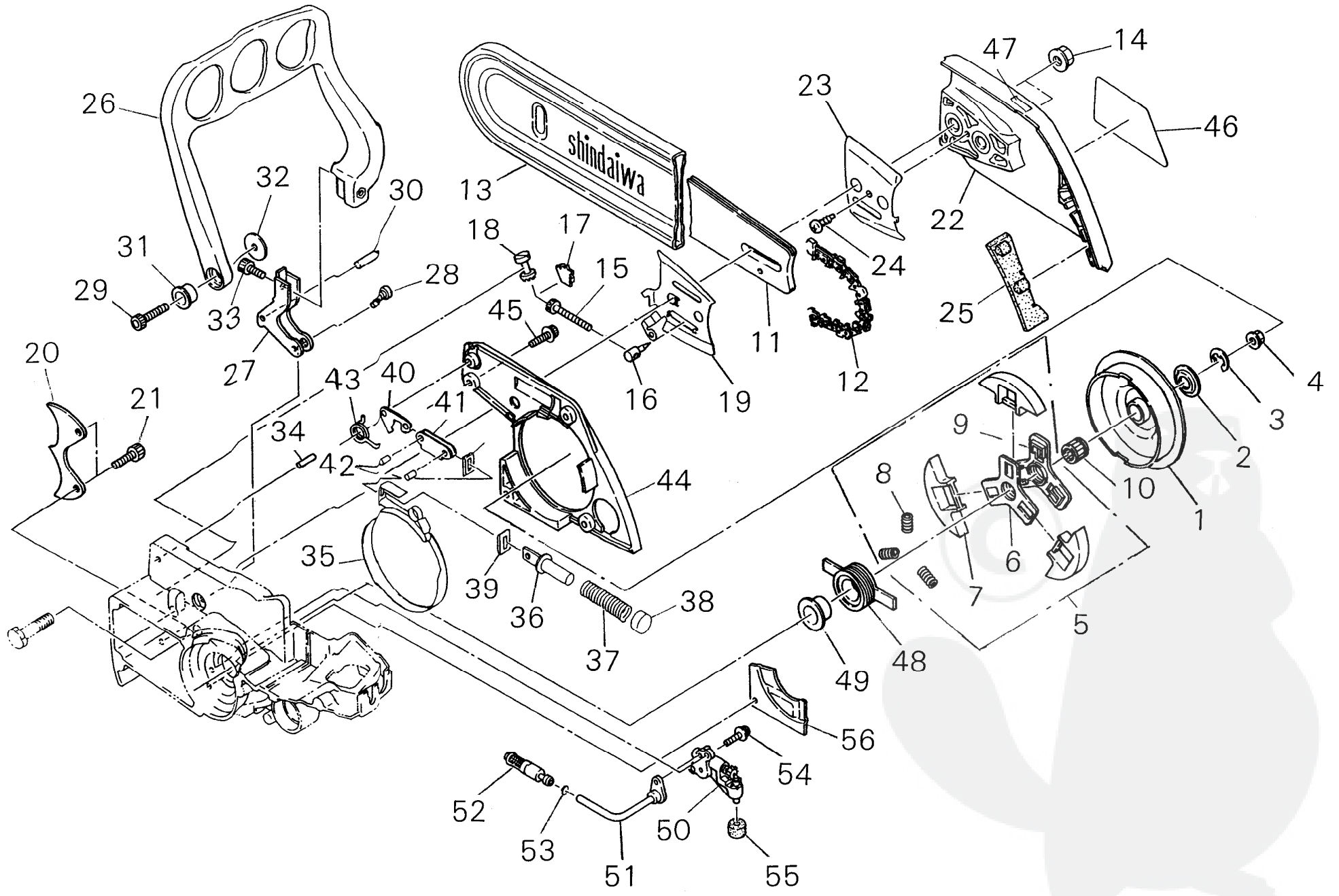
3- 1	22197-31110	CYLINDERCOVER	1
2	22182-31140	PLUG	1
3	22182-31160	SUPPORTER	1
4	22197-97910	CLEANERCOVER	1
5	22182-31220	KNOBCLEANERCOVER	1
37	22182-31230	SPRING	1
6	11024-04140	BOLTSPW	4
7	39010-32110	FRONTHANDLE	1
8	11029-50170	BOLTHILO	4
9	39010-32030	REARHANDLESUBASSY	1
10	22182-33230	*GRIP	1
11	01280-04202	*SCREWTAPPING	1
13	22182-33325	*THROTTLELEVER	1
14	22182-33331	*LOCKLEVER	1
15	22182-33340	*SPRINGLEVER	1
16	12420-40255	*SPRINGPIN	2
19	22182-33742	CUSHION	1
20	22197-33750	PLUG	3
21	22156-33750	BOLTHILO	4
22	11022-04100	BOLTSPW	1
23	22182-33760	SUPPORTER	2
40	72357-33710	CUSHION	1
17	22182-33781	CUSHION	3
24	22197-33802	CAPASSY	1
24	22197-33802	CAPASSY	1
25	22160-21351	*GASKETCAP	1
26	22182-33940	BREATHERPIPE	1
27	22155-33950	ELEMENT	2
28	22182-34110	FUELPIPE	1
29	22115-85401	FUELFILTERSUBASSY	1
30	22128-85421	*FILTER	2
31	22118-85460	*SCREEN	2
32	20020-85540	CLIP	1
33	19401-00094	LABELINST	1
34	19402-00083	LABELCAUTION	1
39	19401-00104	LABELINST	1





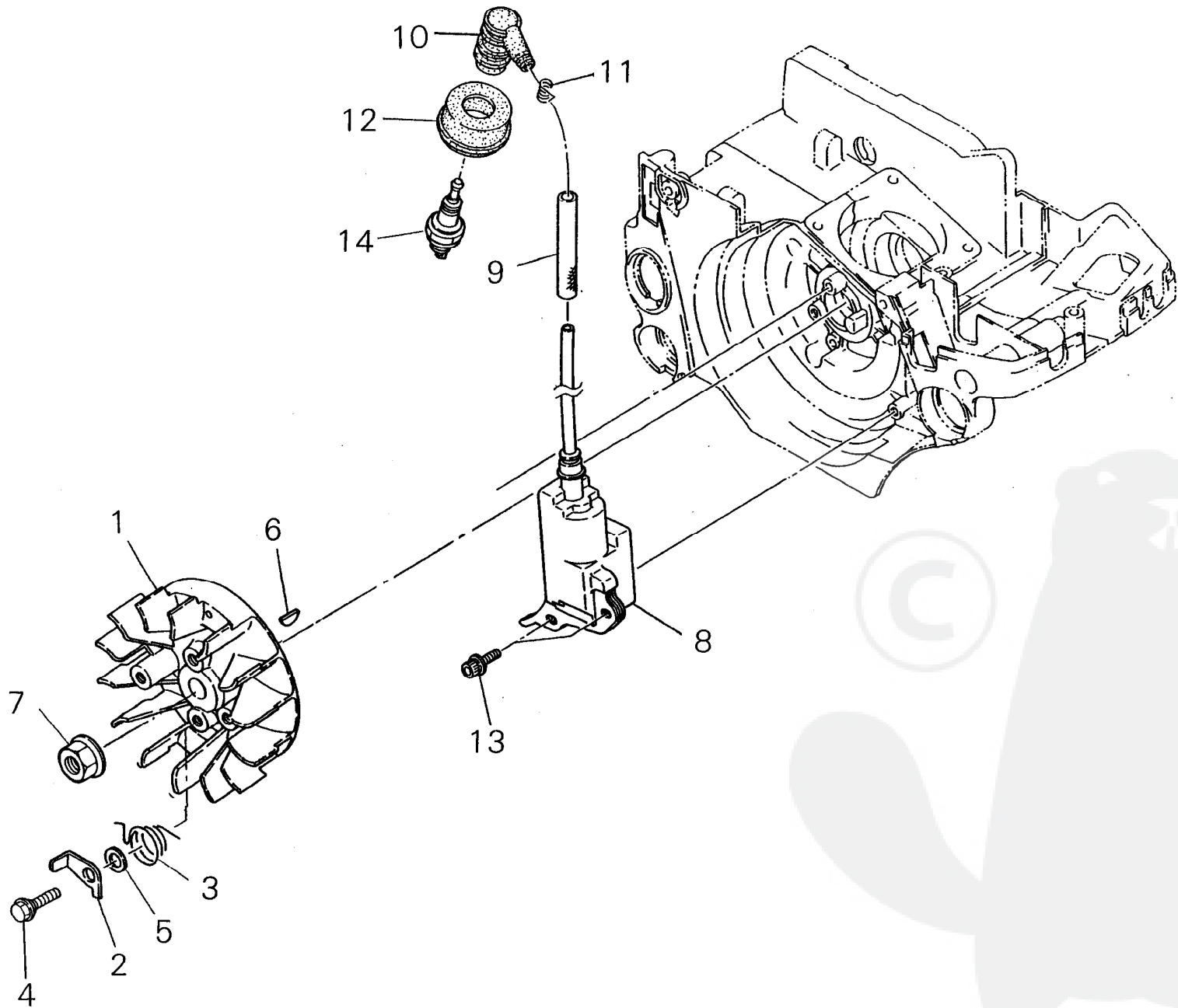
4- 1	39010-41111	PISTON	1
2	39010-41120	PISTONRING	2
3	22160-41220	PISTONPIN	1
4	22100-41230	SNAPRING	2
5	22160-41240	BEARINGSE	1
6	22182-42001	CRANKSHAFTASSY	1



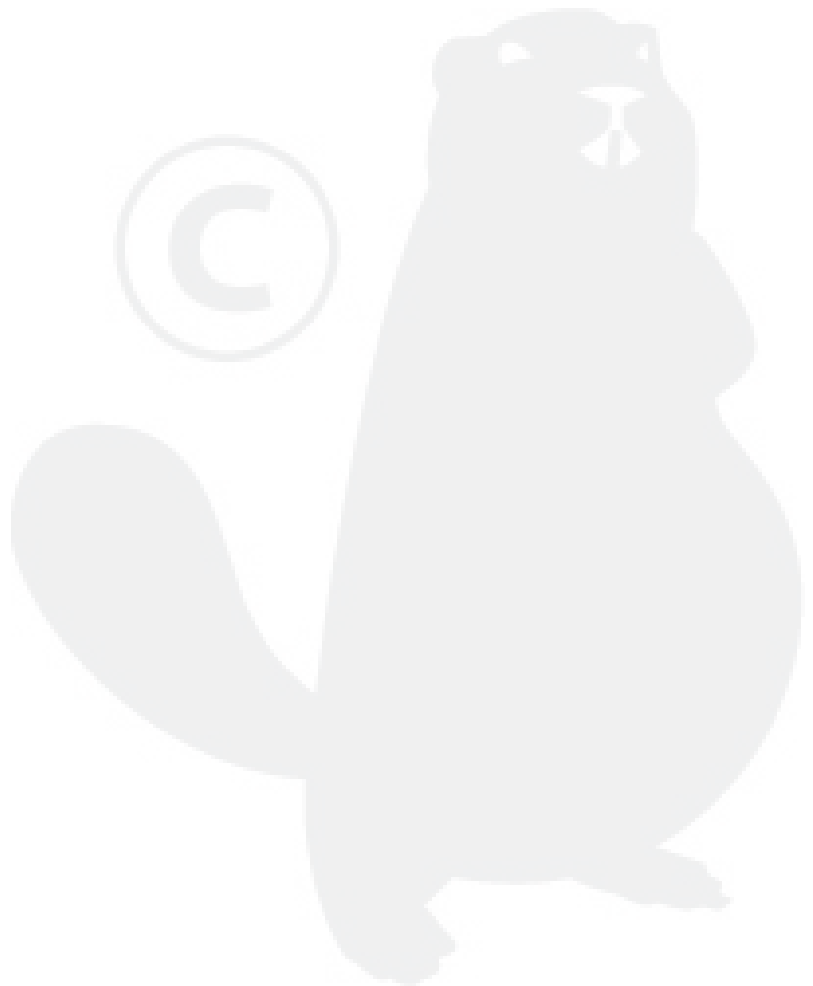


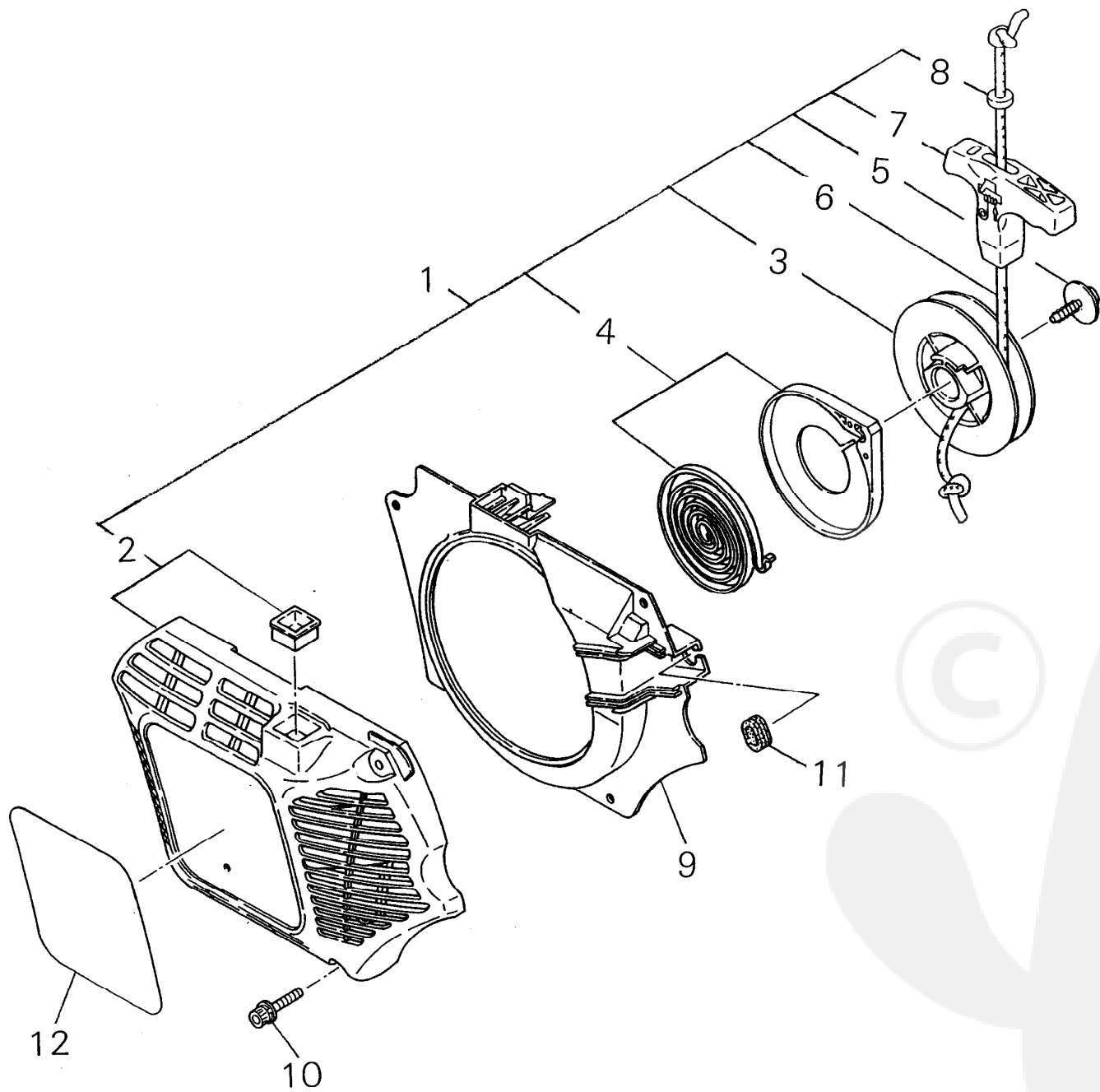
5-1	72358-51110	CLUTCHDRUM	1
2	22182-51130	WASHER	1
3	22182-51140	SNAPRING	1
4	22182-51170	NUT	1
5	22197-51200	CLUTCHASSY	1
6	22182-51210	*CLUTCHBOSSA	1
7	22182-51220	*CLUTCHSHOE	3
8	22197-51230	*CLUTCHSPRING	3
9	22182-51241	*CLUTCHBOSSB	1
10	22100-51310	NEEDLEBEARING	1
11	22180-97220	GUIDEBAR	1
12	18075-00680	SAWCHAIN	1
13	19600-44100	CHAINCOVER	1
14	22182-52411	NUT	2
15	22182-52620	SLIDESCREW	1
16	22150-52440	SLIDEPIECE	1
17	22182-52631	GUIDE	1
18	22182-52641	ADJUSTGEAR	1
19	72357-52661	GUIDEPLATE	1
20	22182-52680	SPIKE	1
21	01020-05120	BOLT	2
22	22197-54111	CLUTCHCOVER	1
23	22182-54162	GUIDEPLATE	1
24	01270-04062	SCREWTAPPING	1
25	22182-54170	PROTECTOR	1
26	72357-54510	GUARD	1
27	22197-54521	LEVER	1
28	22182-54540	BOLTLEVER	1
29	01020-05200	BOLT	1
30	12492-40110	ROLLER	1
31	22169-54660	SPACER	1
32	22169-54670	WASHER	1
33	01020-05120	BOLT	1
34	12492-40160	ROLLER	1
35	72357-54212	BRAKEBAND	1
36	72316-54220	HOLDERSPRING	1
37	72316-54230	BRAKESPRING	1
38	72316-54240	STOPPER	1
39	72316-54310	ADJUSTPLATE	2
40	22173-54561	INNERLEVER	1
41	72316-54570	TIESTRAP	1
42	12492-40080	ROLLER	2
43	72357-54580	SPRINGLEVER	1
44	22197-54611	COVERBRAKE	1
45	11060-04122	BOLTADHESIVE	4
46	22197-92151	LABELTRADE	1
47	19401-00093	LABELINST	1
48	22182-55110	GEAR	1
49	22182-55120	COLLAR	1
50	22197-55200	OILPUMPASSY	1
51	22182-55310	OILPIPE	1
52	22182-55330	OILFILTER	1
53	22154-85540	CLIPOIL	1
54	11205-04120	SCREWPM	2
55	22169-55430	FILTER	1
56	22182-56110	PUMPCOVER	1



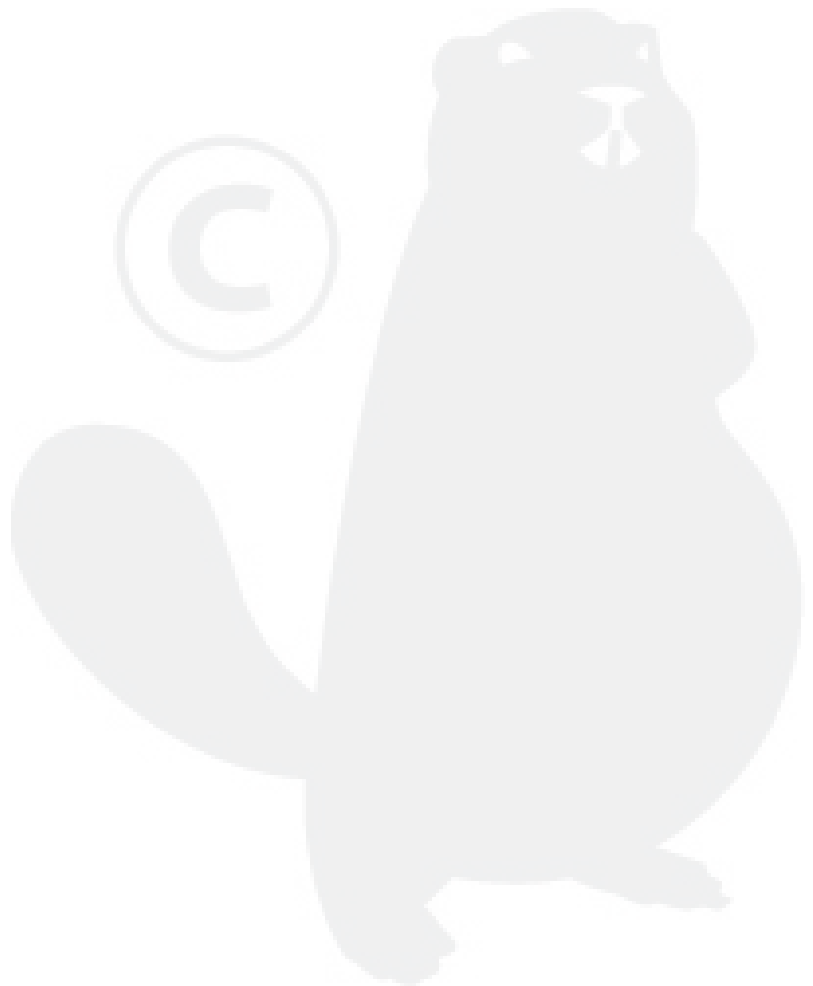


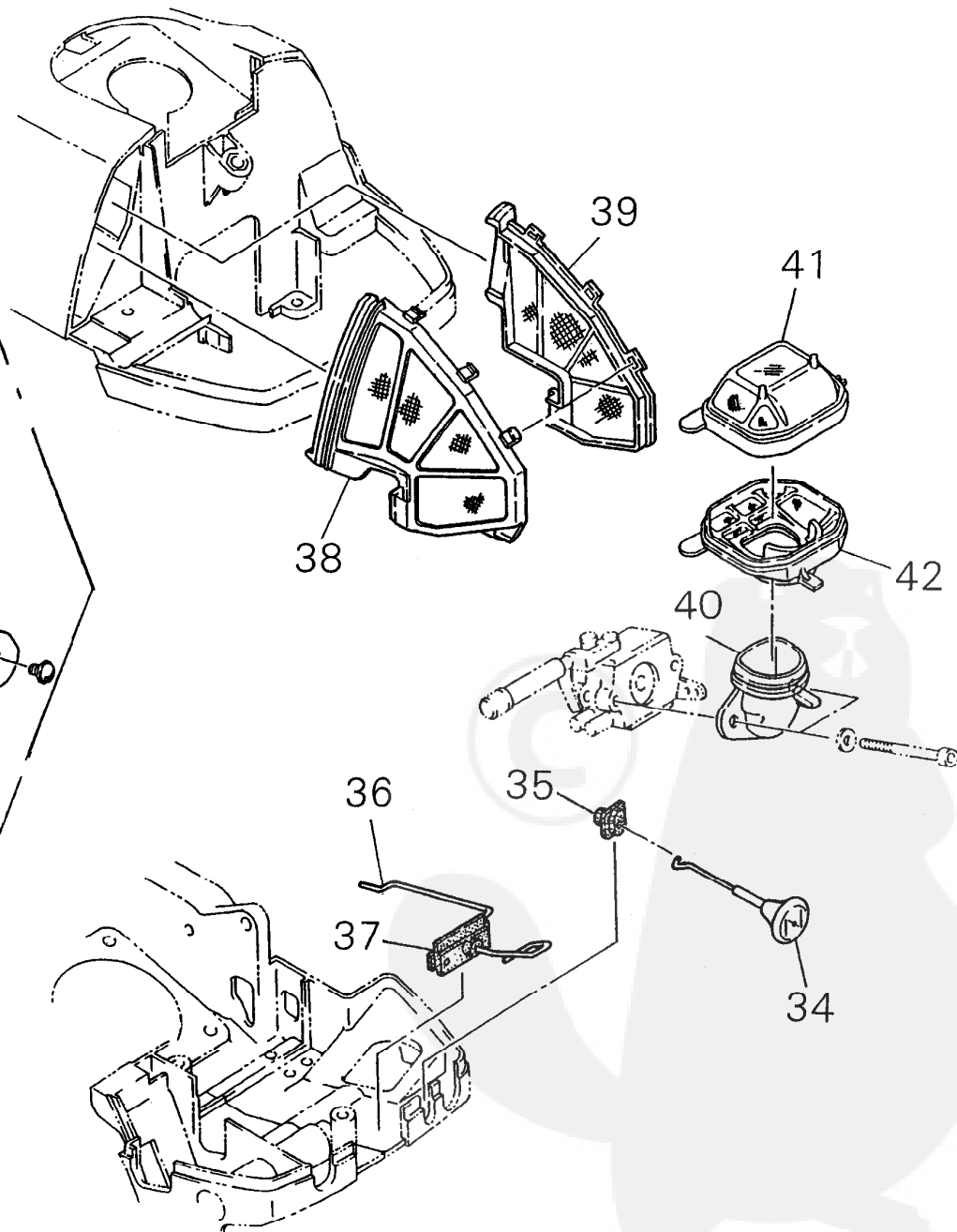
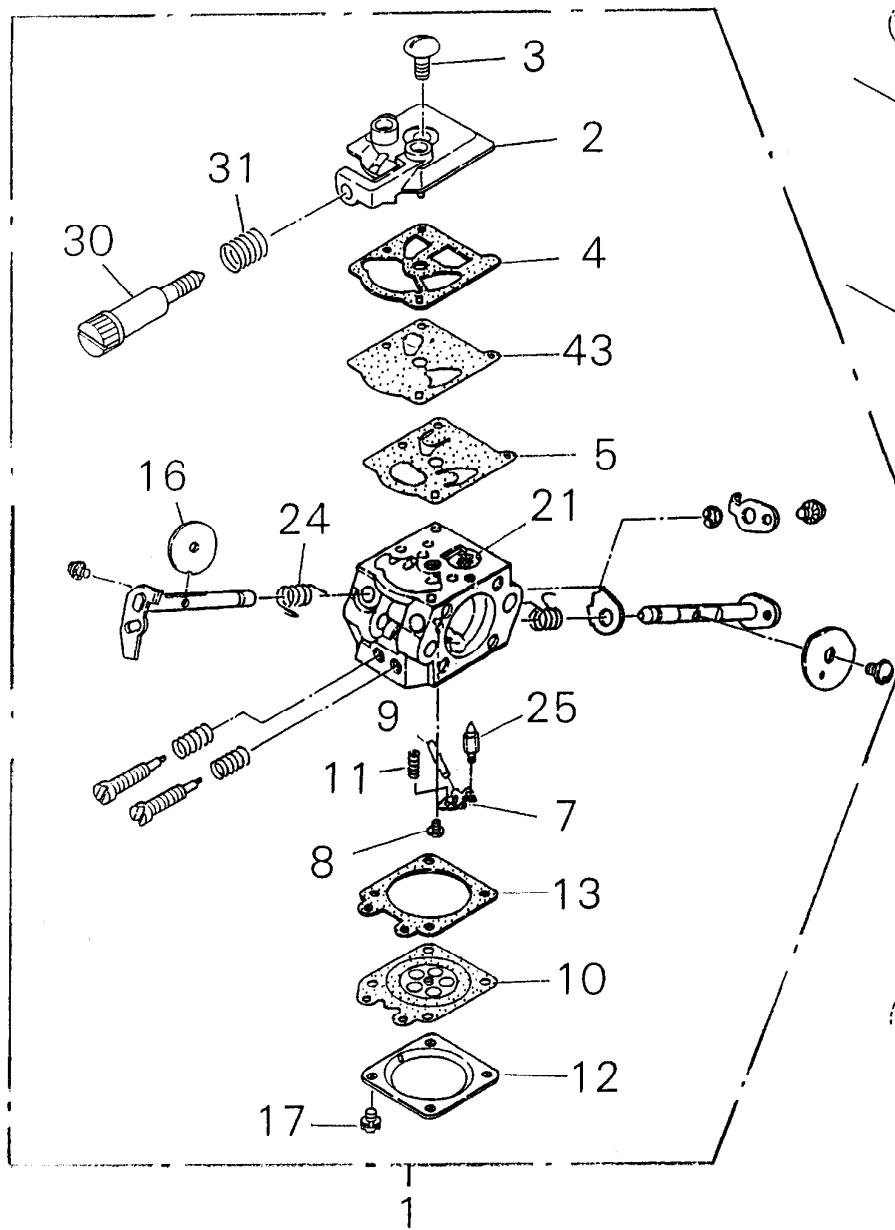
6-1	22182-71111	ROTOR	2
2	22182-71412	RATCHET	2
3	22182-71421	SPRINGRATCHET	2
4	22182-71440	BOLT	2
5	22182-71430	WASHER	2
6	02403-03100	KEY	1
7	22169-71460	NUT	1
8	22182-71601	COILSUBASSY	1
9	22182-71640	TUBE	1
10	22160-72220	PLUGCAP	1
11	22154-72230	SPRINGPLUG	1
12	22182-72260	SEALCAP	1
13	11022-04200	BOLTSPW	2
14	13000-13507	SPARKPLUGBPMR7A	1



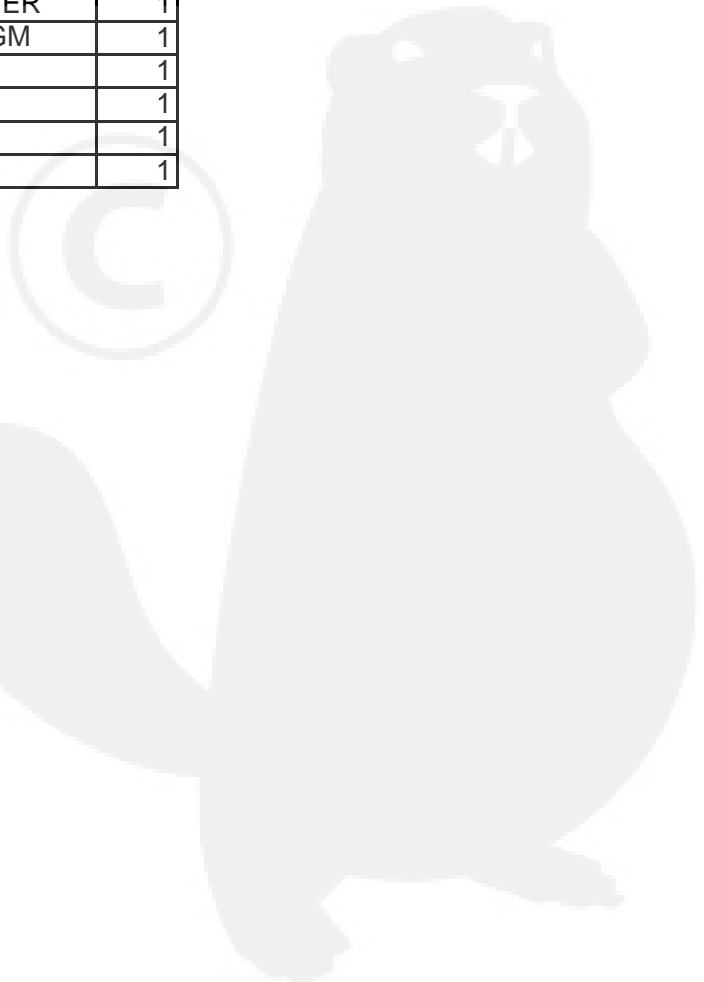


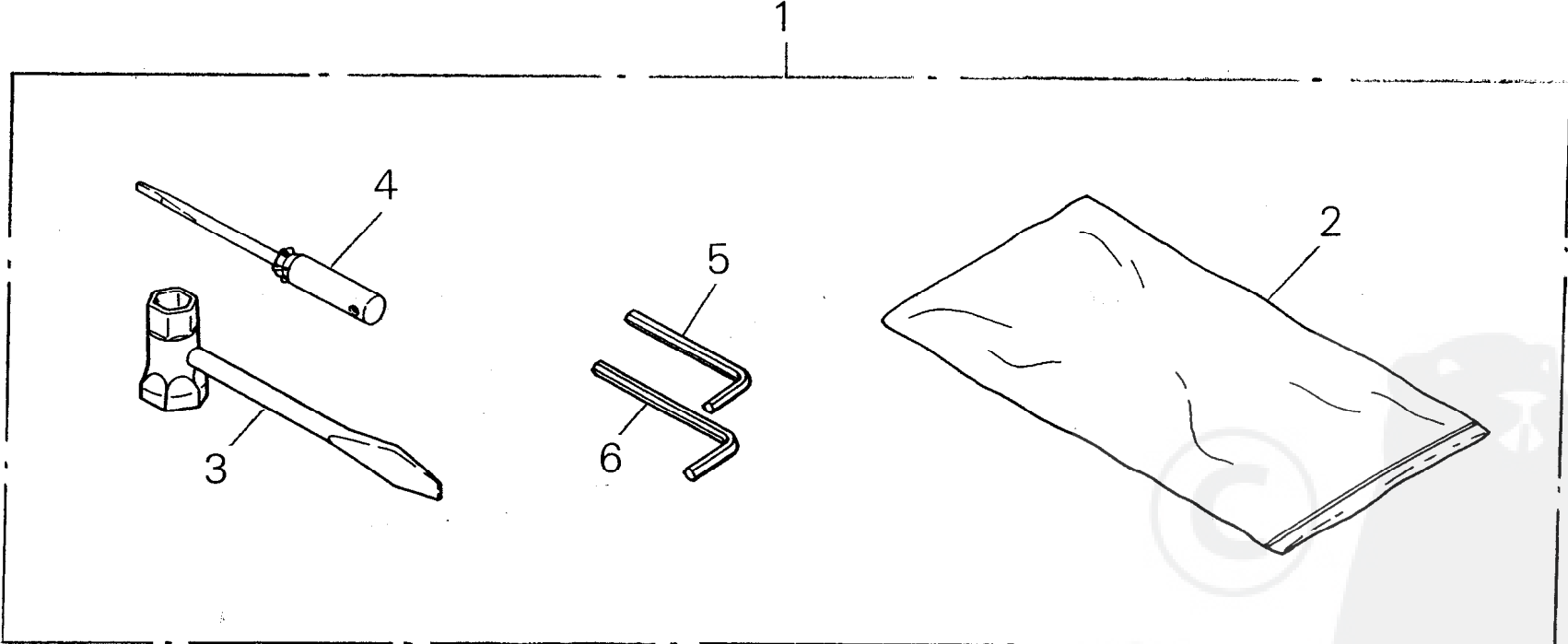
7-1	72357-75100	RECOILSTARTERSUBASSY	1
2	72357-75110	*RECOILCASE	1
3	22182-75212	*REEL	1
4	22155-75410	*RECOILSPRINGASSY	1
5	72320-75420	*SCREWTAPPING	1
6	22182-75410	*ROPE	1
7	22182-75420	*KNOBRECOIL	1
8	22104-75430	*STOPPERKNOB	1
9	22182-75612	AIRPLATE	1
10	11060-04242	BOLTADHESIVE	3
11	22150-33640	GROMMET	1
12	22197-92170	LABELTRADE	1





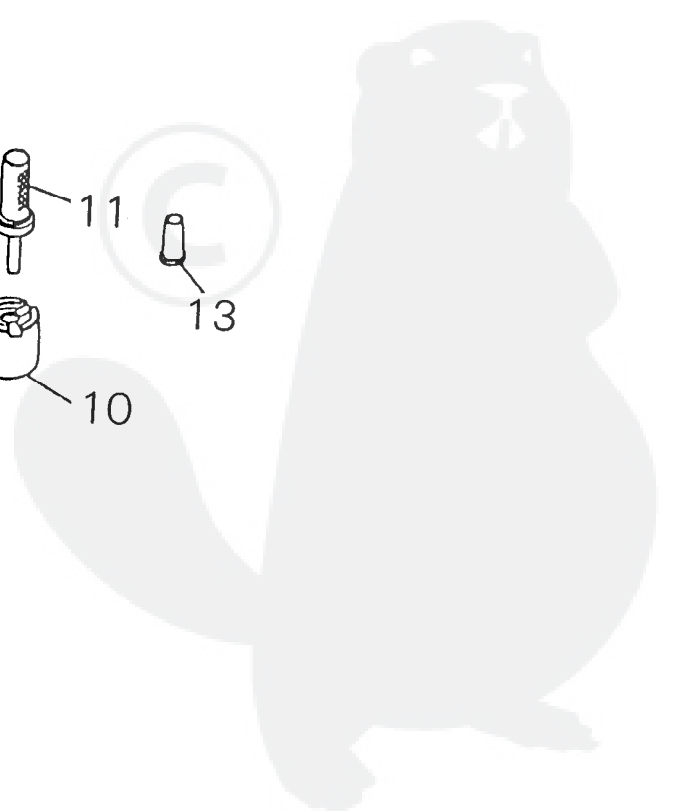
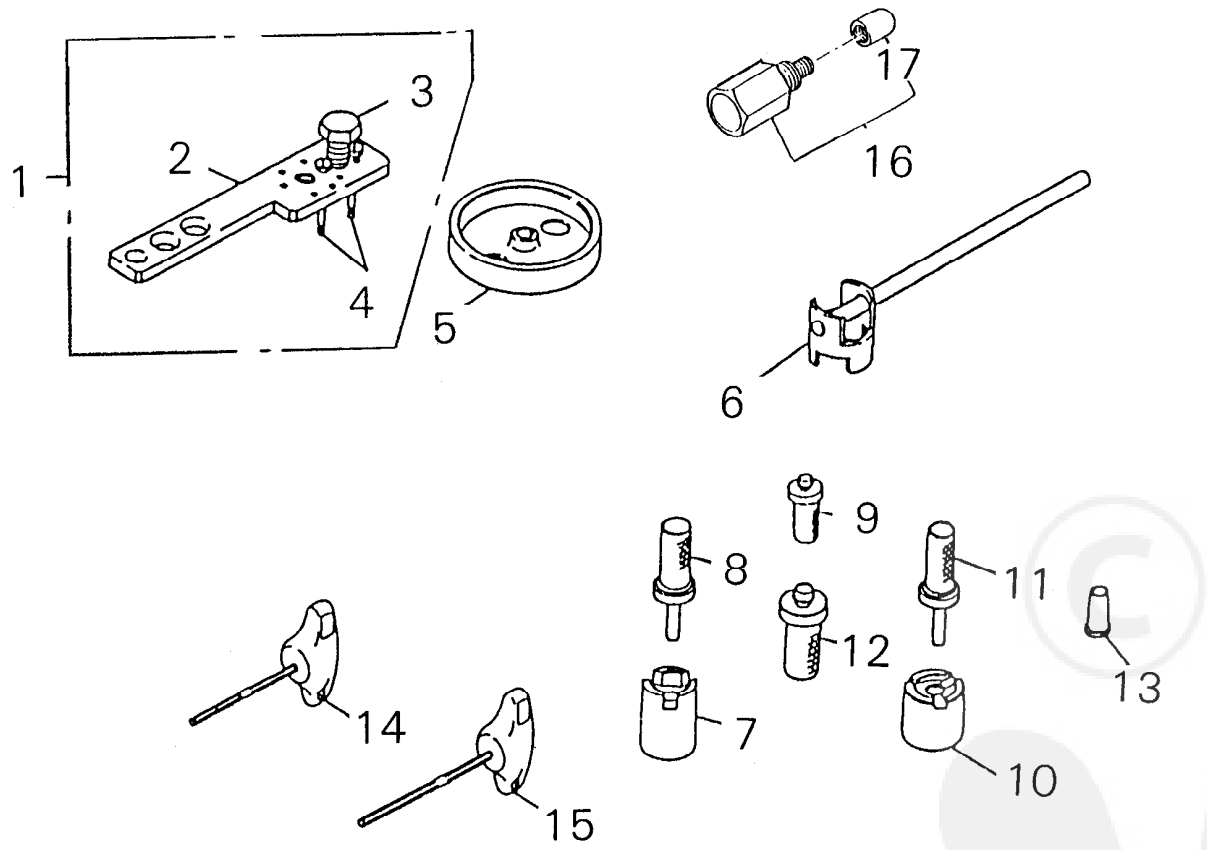
8-1	22197-81001	CARBURETORASSY	1
43	22197-81140	*DIAPHRAGMPUMP	1
2	22156-81120	*PUMPCOVERASSY	1
3	22100-81130	*SCREW	1
4	22128-81140	*GASKETPUMPCOVER	1
5	22197-81160	*DIAPHRAGMPUMP	1
7	22100-81230	*LEVER	1
8	22100-81240	*SCREW	1
9	22100-81250	*PIN	1
10	22100-81260	*DIAPHRAGMASSY	1
11	74342-81270	*SPRINGLEVER	1
12	22100-81280	*COVERDIAPHRAGM	1
13	22100-81290	*GASKETDIAPHRAGM	1
16	22197-81340	*THROTTLEVALVE	1
17	22100-81351	*SCREW	4
21	70030-81380	*SCREEN	1
24	72320-81420	*RETURNSPRING	1
25	20036-81440	*NEEDLEVALVE	1
30	22182-81410	*IDLESCREW	1
31	22156-81420	*SPRINGIDLE	1
34	22182-82121	CHOKEROD	1
35	22182-82130	GROMMETCHOKE	1
36	22182-82142	THROTTLEROD	1
37	22182-82151	GROMMETROD	1
38	22197-82410	AIRCLEANERUPPER	1
39	22197-82420	AIRCLEANERLOWER	1
40	22182-82450	ELBOW	1
41	22182-82511	AIRCLEANERUPPER	1
42	22182-82521	AIRCLEANERLOWER	1
	22128-81920	GASKETKIT	1
4	22128-81140	*GASKETPUMPCOVER	1
13	22100-81290	*GASKETDIAPHRAGM	1
	22197-98031	DIAPHRAGMSET	1
43	22197-81140	*DIAPHRAGMPUMP	1
5	22197-81160	*DIAPHRAGMPUMP	1
10	22100-81260	*DIAPHRAGMASSY	1





9- 1	72357-91000	TOOLSET	1
2	19639-01100	*POLYBAG	1
3	22000-91181	*PLUGWRENCH	1
4	22150-91160	*DRIVER	1
5	09026-03001	*HEXAWRENCH	1
6	09026-04001	*HEXAWRENCH	1





10- 1	22150-96101	PULLERASSY	1
2	20000-96114	*LEVER	1
3	22100-96121	*CENTERBOLT	1
4	22102-96130	*BOLT	2
5	22182-96210	SETGAUGE	1
6	22182-96220	CLUTCHSPANNER	1
7	22160-96411	HOLDER	1
8	22154-96420	RODOILSEAL	1
9	22154-96430	RODBEARING	1
10	22182-96440	HOLDER	1
11	22182-96460	RODOILSEAL	1
12	22169-96430	ROD6202	1
13	22182-96470	COLLAROILSEAL	1
14	22155-96521	TWRENCH4	1
15	22155-96531	TWRENCH5	1
16	22182-96601	STOPPERASSY	1
17	22182-96621	*CAP	1

