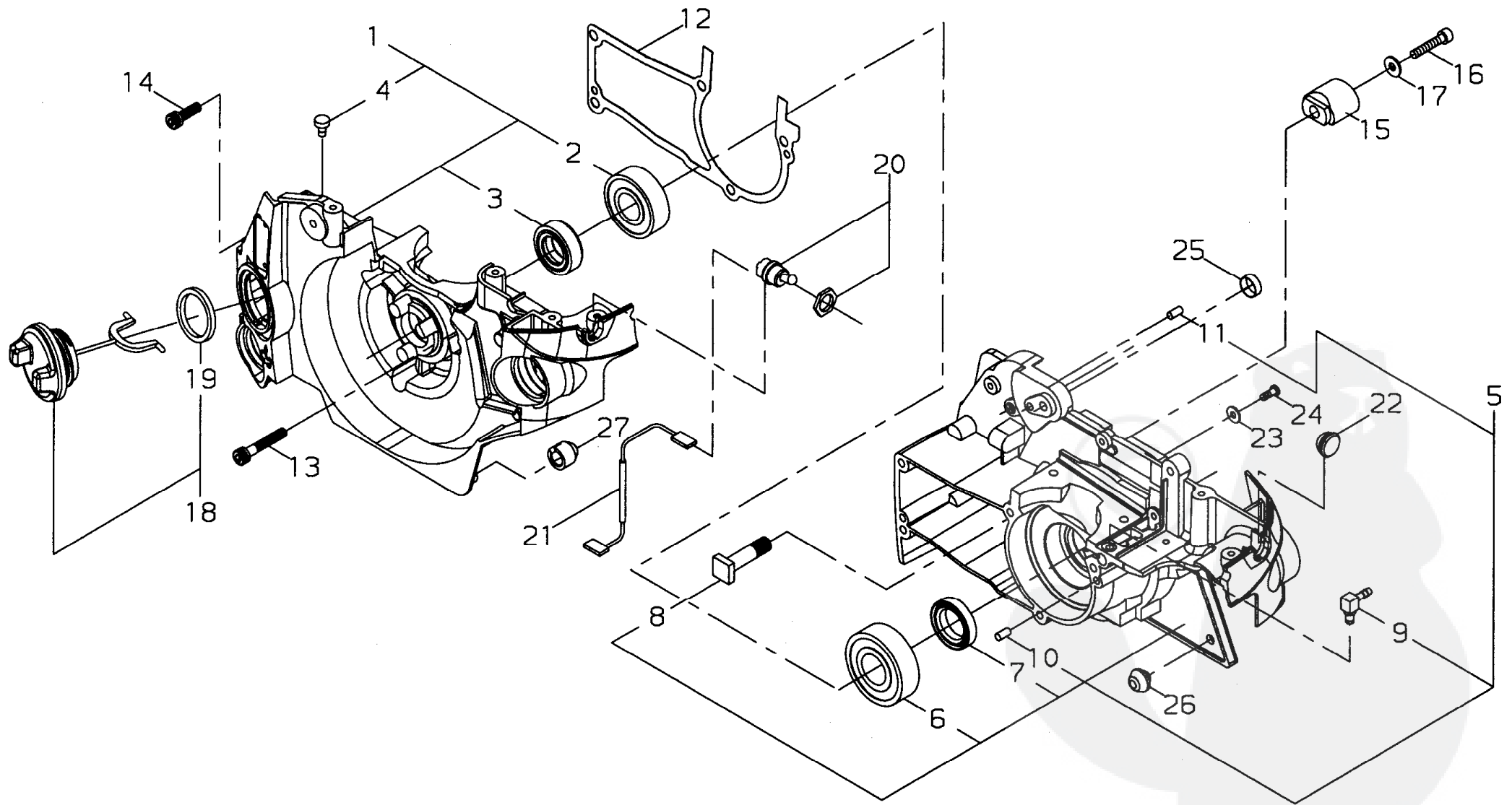


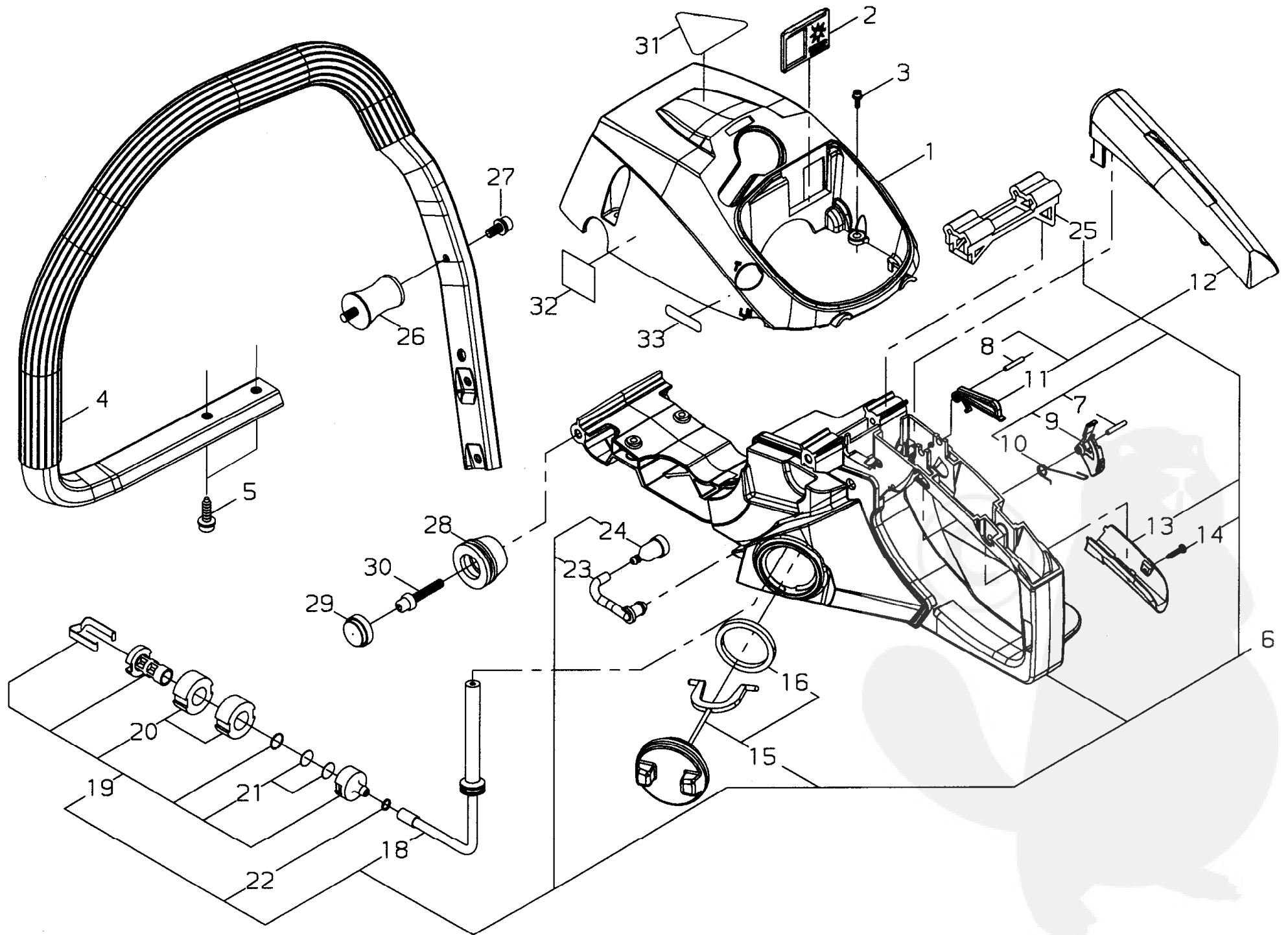
| Ref. No | Part No.    | Part Name    | Q`ty | Remarks,Serial No. |
|---------|-------------|--------------|------|--------------------|
| 1- 1    | 39311-12110 | CYLINDER     | 1    |                    |
| 2       | 39311-12120 | GASKET       | 1    |                    |
| 3       | 01020-05180 | BOLT         | 4    |                    |
| 4       | 22160-12160 | SPRING       | 1    |                    |
| 5       | 39311-12210 | BOOT         | 1    |                    |
| 6       | 22156-14140 | SLEEVE       | 1    |                    |
| 7       | 39311-12220 | BRACKET      | 1    |                    |
| 8       | 11060-04163 | BOLTADHESIVE | 2    |                    |
| 9       | 39311-15310 | MUFFLERASSY  | 1    |                    |
| 10      | 22197-15130 | *TAILPIPE    | 1    |                    |
| 11      | 22160-15210 | *TAILPLATE   | 1    |                    |
| 12      | 11203-04060 | *SCREWPM     | 2    |                    |
| 13      | 39311-15210 | GASKET       | 1    |                    |
| 14      | 01020-05180 | BOLT         | 4    |                    |



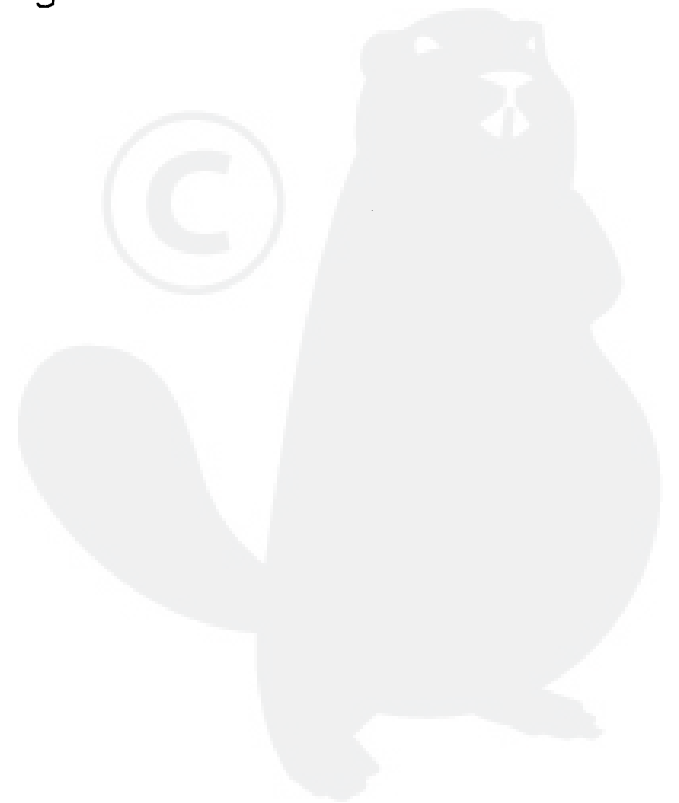
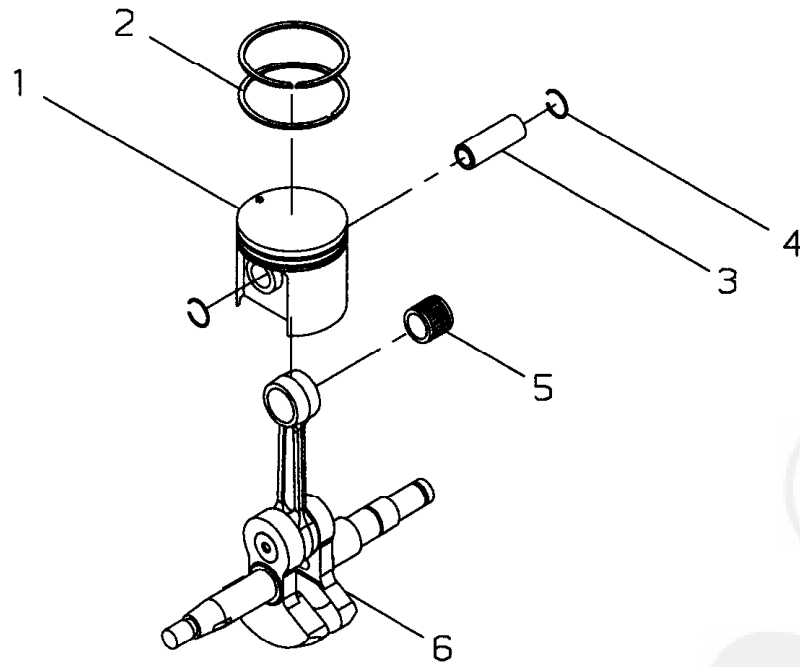


|      |             |                |   |  |
|------|-------------|----------------|---|--|
| 2- 1 | 39312-21010 | CRANKCASEMCOMP | 1 |  |
| 2    | 12900-62010 | *BEARING       | 1 |  |
| 3    | 22150-21250 | *OILSEAL       | 1 |  |
| 4    | 22115-57120 | *VALVEOILTANK  | 1 |  |
| 5    | 39312-21020 | CRANKCASECCOMP | 1 |  |
| 6    | 12900-62020 | *BEARING       | 1 |  |
| 7    | 22182-21551 | *OILSEAL       | 1 |  |
| 8    | 22160-21520 | *BOLTBAR       | 2 |  |
| 9    | 39010-11020 | *PULSEJOINT    | 1 |  |
| 10   | 12492-40080 | *ROLLER        | 2 |  |
| 11   | 12492-40110 | *ROLLER        | 2 |  |
| 12   | 39311-21320 | GASKETCASE     | 1 |  |
| 13   | 22169-21910 | BOLT           | 3 |  |
| 14   | 01020-05180 | BOLT           | 2 |  |
| 15   | 22160-52511 | CHAINCATCHER   | 1 |  |
| 16   | 22155-12190 | BOLT           | 1 |  |
| 17   | 01610-05080 | WASHER         | 1 |  |
| 18   | 39311-21030 | CAPASSY        | 1 |  |
| 19   | 38010-32271 | *GASKET        | 1 |  |
| 20   | 39311-21340 | SWITCHASSY     | 1 |  |
| 21   | 14352-01100 | LEADWIRE       | 1 |  |
| 22   | 22160-22220 | PLUGSWITCH     | 1 |  |
| 23   | 01613-04080 | WASHER         | 1 |  |
| 24   | 22173-56150 | SCREW          | 1 |  |
| 25   | 39311-21360 | SLIDERING      | 1 |  |
| 26   | 22182-21621 | SUPPORTER      | 1 |  |
| 27   | 39311-33330 | SUPPORTER      | 1 |  |





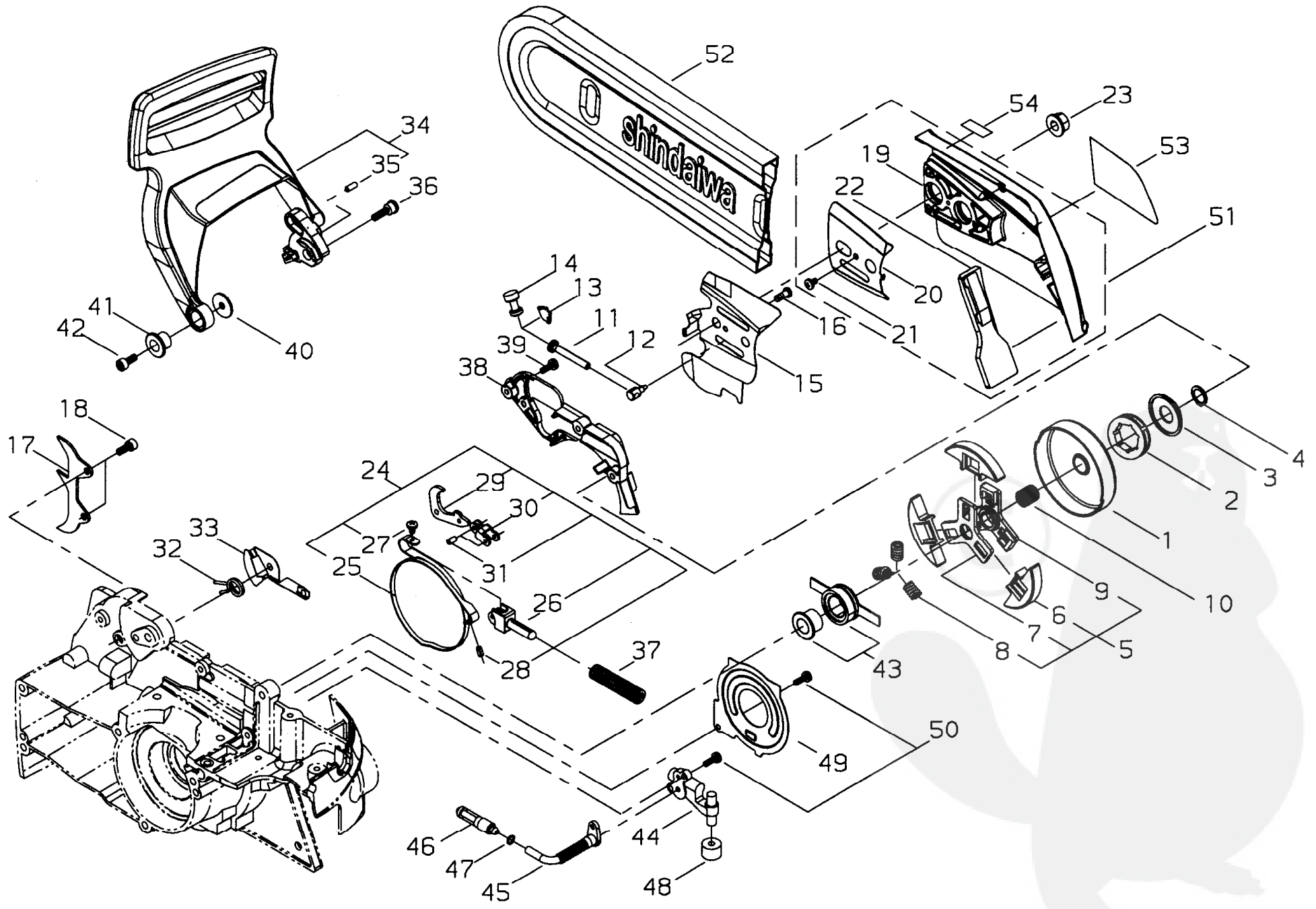
|      |             |                    |   |  |
|------|-------------|--------------------|---|--|
| 3- 1 | 39311-31110 | CYLINDERCOVER      | 1 |  |
| 2    | 39311-31310 | SHUTTER            | 1 |  |
| 3    | 11060-04163 | BOLTADHESIVE       | 3 |  |
| 4    | 39311-32110 | FRONTHANDLE        | 1 |  |
| 5    | 11044-05160 | BOLTTAPPING        | 4 |  |
| 6    | 39311-32021 | REARHANDLESUBASSY  | 1 |  |
| 7    | 12420-40255 | *SPRINGPIN         | 1 |  |
| 8    | 02427-40225 | *PIN               | 1 |  |
| 9    | 22182-33325 | *THROTTLELEVER     | 1 |  |
| 10   | 22182-33340 | *SPRINGLEVER       | 1 |  |
| 11   | 22182-33331 | *LOCKLEVER         | 1 |  |
| 12   | 39311-32330 | *UPPERGRIP         | 1 |  |
| 13   | 22182-33230 | *GRIP              | 1 |  |
| 14   | 01280-04202 | *SCREWTAPPING      | 1 |  |
| 15   | 39309-32040 | *CAPASSY           | 1 |  |
| 16   | 39309-32270 | **GASKET           | 1 |  |
| 18   | 39309-32340 | *FUELPIPE          | 1 |  |
| 19   | 22115-85401 | *FUELFILTERSUBASSY | 1 |  |
| 20   | 22128-85421 | **FILTER           | 2 |  |
| 21   | 22118-85460 | **SCREEN           | 2 |  |
| 22   | 20020-85540 | *CLIP              | 1 |  |
| 23   | 39311-32340 | *PIPE              | 1 |  |
| 24   | 22197-33960 | *VALVE             | 1 |  |
| 25   | 39311-32370 | *STOPPERCUSHION    | 1 |  |
| 26   | 22182-33742 | CUSHION            | 1 |  |
| 27   | 11022-04100 | BOLTSPW            | 1 |  |
| 28   | 39311-33310 | CUSHION            | 4 |  |
| 29   | 39311-33320 | PLUG               | 4 |  |
| 30   | 22160-33770 | STOPPERBOLT        | 4 |  |
| 31   | 19402-00083 | LABELCAUTION       | 1 |  |
| 32   | 19404-00038 | LABELDECIBEL       | 1 |  |
| 33   | 19401-00094 | LABELINST          | 1 |  |



|      |             |            |   |  |
|------|-------------|------------|---|--|
| 4- 1 | 39311-41110 | PISTON     | 1 |  |
| 2    | 39311-41120 | PISTONRING | 2 |  |
| 3    | 22160-41220 | PISTONPIN  | 1 |  |
| 4    | 22100-41230 | SNAPRING   | 2 |  |
| 5    | 22160-41240 | BEARINGSE  | 1 |  |
| 6    | 39311-42010 | CRANKSHAFT | 1 |  |



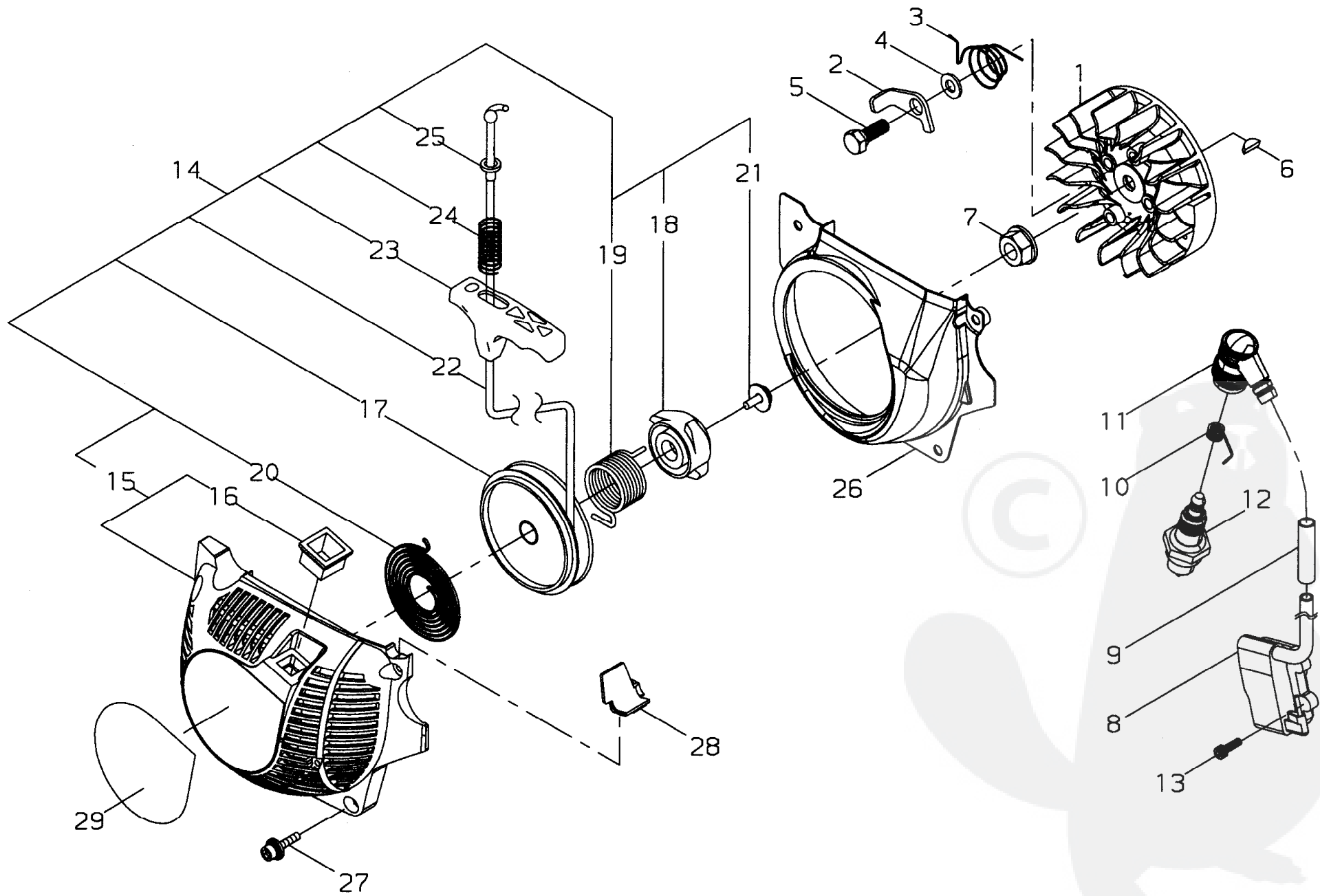




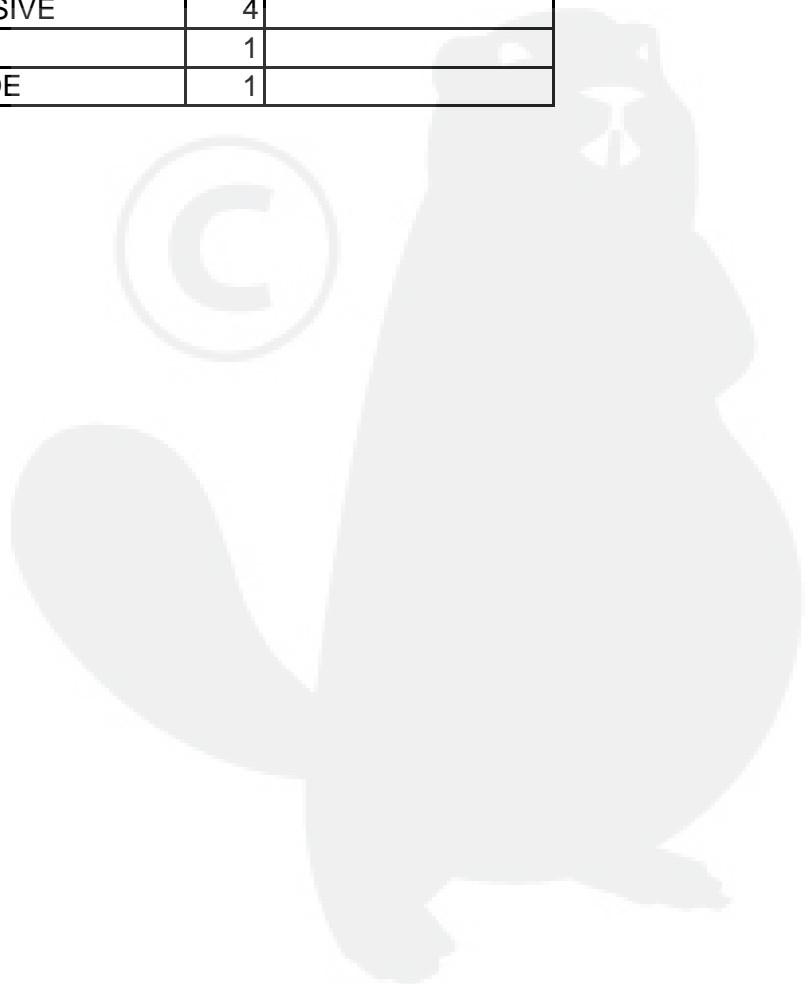
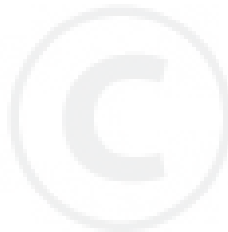
|      |             |                 |   |  |
|------|-------------|-----------------|---|--|
| 5- 1 | 39311-51110 | CLUTCHDRUM      | 1 |  |
| 2    | 22131-98120 | RIM             | 1 |  |
| 3    | 39311-51320 | COLLAR          | 1 |  |
| 4    | 02430-10100 | SNAPRING        | 1 |  |
| 5    | 39311-51020 | CLUCHASSY       | 1 |  |
| 6    | 39311-51120 | *CLUTCHSHOE     | 3 |  |
| 7    | 39311-51130 | *CLUTCHBOSS     | 1 |  |
| 8    | 22197-51230 | *CLUTCHSPRING   | 3 |  |
| 9    | 22182-51241 | *CLUTCHBOSSB    | 1 |  |
| 10   | 22100-51310 | NEEDLEBEARING   | 1 |  |
| 11   | 22182-52620 | SLIDESCREW      | 1 |  |
| 12   | 22150-52440 | SLIDEPIECE      | 1 |  |
| 13   | 22182-52631 | GUIDE           | 1 |  |
| 14   | 22182-52641 | ADJUSTGEAR      | 1 |  |
| 15   | 39311-52130 | GUIDEPLATE      | 1 |  |
| 16   | 22173-56150 | SCREW           | 1 |  |
| 17   | 39311-52140 | SPIKE           | 1 |  |
| 18   | 01020-05120 | BOLT            | 2 |  |
| 51   | 39311-53010 | CLUTCHCOVERASSY | 1 |  |
| 19   | 39311-53110 | *CLUTCHCOVER    | 1 |  |
| 20   | 39311-53120 | *GUIDEPLATE     | 1 |  |
| 21   | 01270-04062 | *SCREWTAPPING   | 1 |  |
| 22   | 39311-53130 | *PROTECTOR      | 1 |  |
| 23   | 22182-52411 | NUT             | 2 |  |
| 24   | 39311-54310 | BRAKEBANDCOMP   | 1 |  |
| 25   | 39311-54110 | *BRAKEBAND      | 1 |  |
| 26   | 39311-54320 | *HOLDER         | 1 |  |
| 27   | 01270-04103 | *SCREWTAPPING   | 1 |  |
| 28   | 02427-40105 | *PIN            | 1 |  |
| 29   | 39311-54330 | *INNERLEVER     | 1 |  |
| 30   | 39311-54340 | *TIESTRAP       | 1 |  |
| 31   | 12492-30110 | *ROLLER         | 2 |  |
| 32   | 17520-15400 | COILSPRING      | 1 |  |
| 33   | 39311-54350 | PLATE           | 1 |  |
| 34   | 39311-54361 | GUARDCOMP       | 1 |  |
| 35   | 12492-40080 | *ROLLER         | 1 |  |
| 36   | 39311-54380 | BOLTADHESIVE    | 1 |  |
| 37   | 17500-12300 | COILSPRING      | 1 |  |
| 38   | 39311-54130 | COVERBRAKE      | 1 |  |
| 39   | 11060-04141 | BOLTADHESIVE    | 3 |  |
| 40   | 22169-54670 | WASHER          | 1 |  |
| 41   | 15401-10119 | COLLAR          | 1 |  |
| 42   | 01020-05120 | BOLT            | 1 |  |
| 43   | 22197-55110 | GEAR            | 1 |  |
| 44   | 22197-55200 | OILPUMPASSY     | 1 |  |
| 45   | 22182-55311 | OILPIPE         | 1 |  |
| 46   | 22182-55330 | OILFILTER       | 1 |  |
| 47   | 20020-85540 | CLIP            | 1 |  |

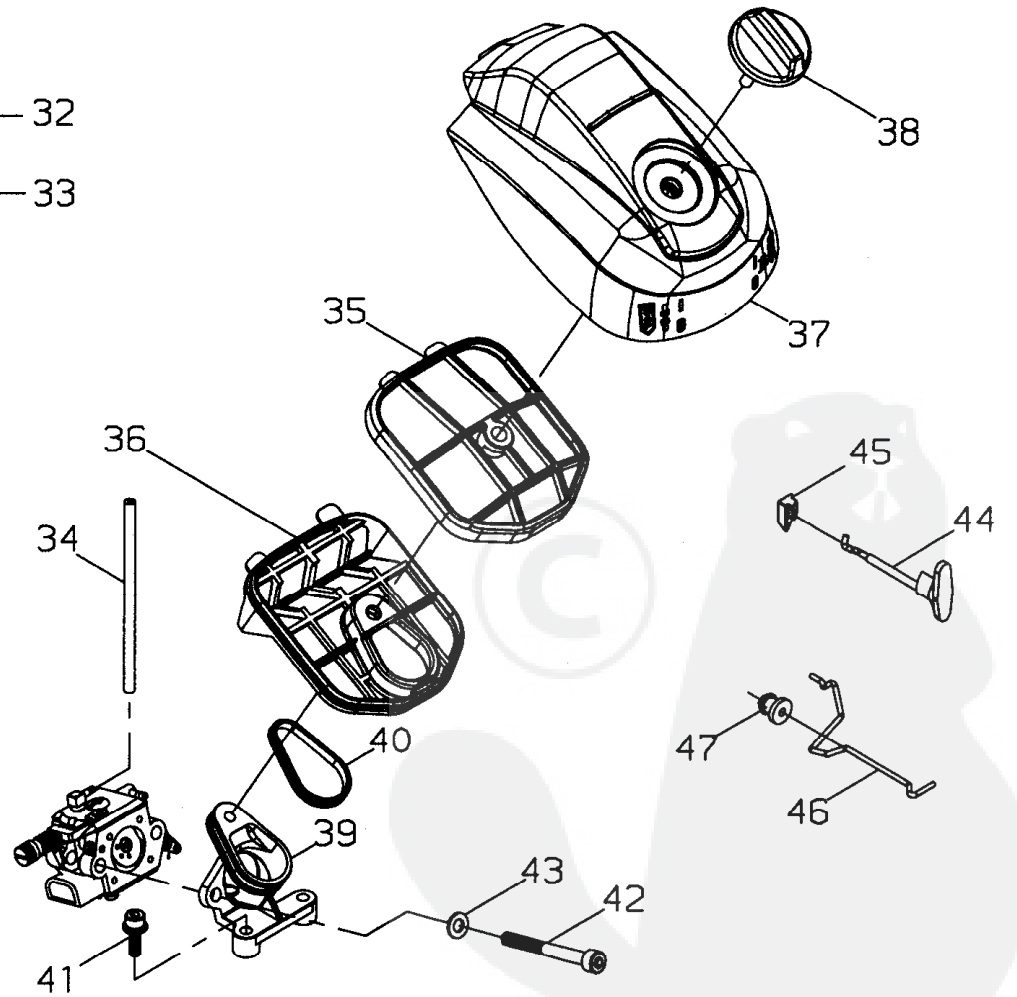
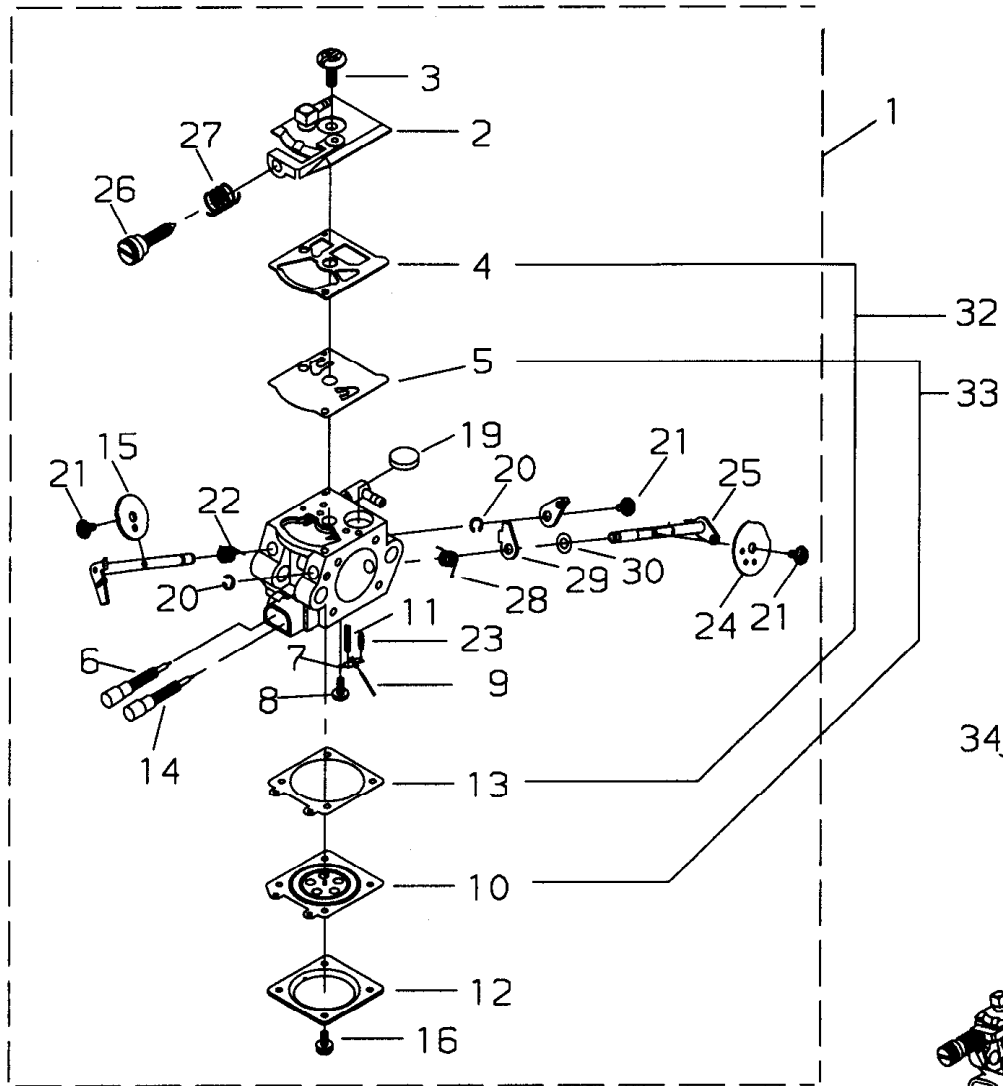
|    |             |              |   |  |
|----|-------------|--------------|---|--|
| 48 | 22169-55430 | FILTER       | 1 |  |
| 49 | 39311-55231 | PUMPCOVER    | 1 |  |
| 50 | 11060-04141 | BOLTADHESIVE | 3 |  |
| 52 | 19600-44103 | CHAINCOVER   | 1 |  |
| 53 | 69025-91331 | LABELTRADE   | 1 |  |
| 54 | 19401-00093 | LABELINST    | 1 |  |



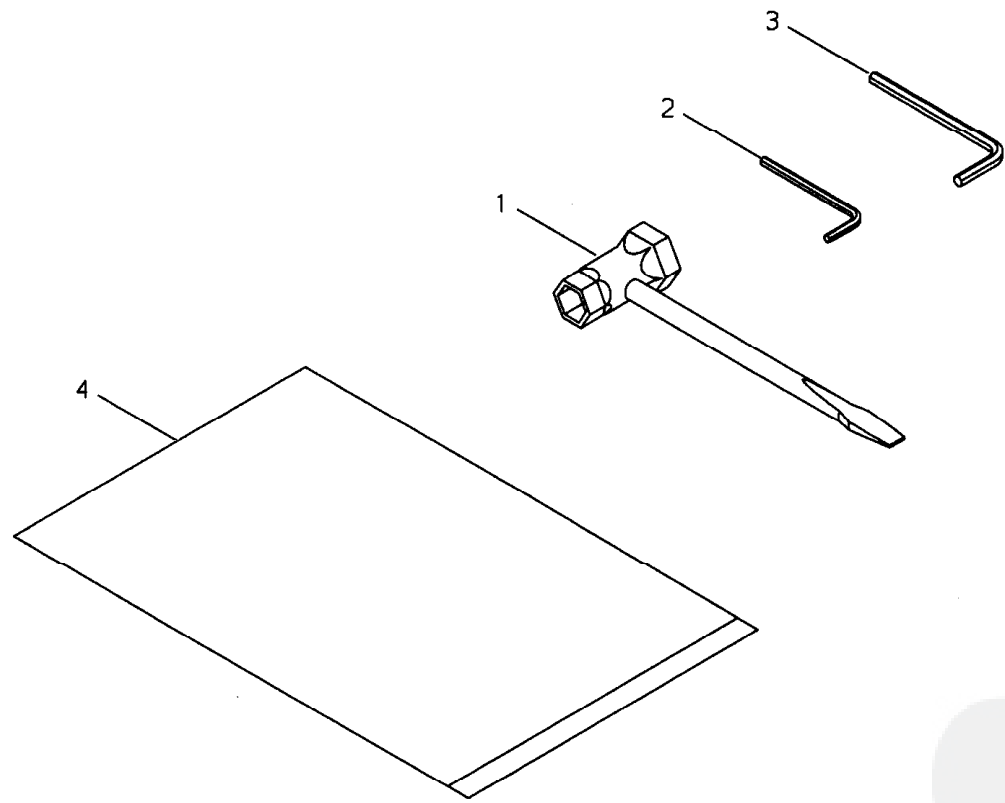


|     |             |                   |   |  |
|-----|-------------|-------------------|---|--|
| 6-1 | 39311-71110 | ROTOR             | 1 |  |
| 2   | 22182-71412 | RATCHET           | 2 |  |
| 3   | 22182-71421 | SPRINGRATCHET     | 2 |  |
| 4   | 22182-71430 | WASHER            | 2 |  |
| 5   | 22182-71440 | BOLT              | 2 |  |
| 6   | 02403-03100 | KEY               | 1 |  |
| 7   | 22169-71460 | NUT               | 1 |  |
| 8   | 39311-71210 | COIL              | 1 |  |
| 9   | 39311-71310 | TUBE              | 1 |  |
| 10  | 22154-72230 | SPRINGPLUG        | 1 |  |
| 11  | 22160-72220 | PLUGCAP           | 1 |  |
| 12  | 13000-13507 | SPARKPLUGBPMR7A   | 1 |  |
| 13  | 11060-04202 | BOLTADHESIVE      | 1 |  |
| 14  | 39311-75010 | RECOILSTARTERASSY | 1 |  |
| 15  | 39311-75110 | *RECOILCASE       | 1 |  |
| 16  | 22182-75120 | **GUIDE           | 1 |  |
| 17  | 39300-75121 | *REEL             | 1 |  |
| 18  | 39300-75311 | *CAM              | 1 |  |
| 19  | 39300-75320 | *COILSPRING       | 1 |  |
| 20  | 39300-75130 | *RICOILSPRING     | 1 |  |
| 21  | 39300-75330 | *SCREW            | 1 |  |
| 22  | 39300-75140 | *ROPE             | 1 |  |
| 23  | 39300-75150 | *KNOB             | 1 |  |
| 24  | 39300-75340 | *COILSPRING       | 1 |  |
| 25  | 39300-75350 | *SPACER           | 1 |  |
| 26  | 39311-75210 | AIRPLATE          | 1 |  |
| 27  | 11060-04163 | BOLTADHESIVE      | 4 |  |
| 28  | 69025-75310 | GROMMET           | 1 |  |
| 29  | 69025-91321 | LABELTRADE        | 1 |  |





|     |             |                  |   |  |
|-----|-------------|------------------|---|--|
| 7-1 | 69025-81010 | CARBURETORASSY   | 1 |  |
| 2   | 39010-81320 | *PUMPCOVERASSY   | 1 |  |
| 3   | 22100-81130 | *SCREW           | 1 |  |
| 4   | 22128-81140 | *GASKETPUMPCOVER | 1 |  |
| 5   | 22128-81150 | *DIAPHRAGMPUMP   | 1 |  |
| 6   | 69024-81320 | *NEEDLE          | 1 |  |
| 7   | 22100-81230 | *LEVER           | 1 |  |
| 8   | 22100-81240 | *SCREW           | 1 |  |
| 9   | 22100-81250 | *PIN             | 1 |  |
| 10  | 22100-81260 | *DIAPHRAGMASSY   | 1 |  |
| 11  | 72342-81270 | *SPRINGLEVER     | 1 |  |
| 12  | 22100-81280 | *COVERDIAPHRAGM  | 1 |  |
| 13  | 22100-81290 | *GASKETDIAPHRAGM | 1 |  |
| 14  | 69024-81330 | *NEEDLE          | 1 |  |
| 15  | 22197-81340 | *THROTTLEVALVE   | 1 |  |
| 16  | 22100-81351 | *SCREW           | 4 |  |
| 19  | 70030-81380 | *SCREEN          | 1 |  |
| 20  | 70030-81390 | *ERING           | 2 |  |
| 21  | 20803-81150 | *SCREWASSY       | 3 |  |
| 22  | 72320-81420 | *RETURNSPRING    | 1 |  |
| 23  | 20036-81440 | *NEEDLEVALVE     | 1 |  |
| 24  | 22156-81710 | *CHOKEVALVE      | 1 |  |
| 25  | 22180-81740 | *SHAFTASSY       | 1 |  |
| 26  | 72320-81410 | *IDELSCREW       | 1 |  |
| 27  | 22156-81420 | *SPRINGIDLE      | 1 |  |
| 28  | 22180-81460 | *SPRINGCHOKE     | 1 |  |
| 29  | 22180-81471 | *LEVER           | 1 |  |
| 30  | 20036-81185 | *WASHER          | 1 |  |
| 32  | 22128-81920 | GASKETKIT        | 1 |  |
| 4   | 22128-81140 | *GASKETPUMPCOVER | 1 |  |
| 13  | 22100-81290 | *GASKETDIAPHRAGM | 1 |  |
| 33  | 22128-81910 | DIAPHRAGMKIT     | 1 |  |
| 5   | 22128-81150 | *DIAPHRAGMPUMP   | 1 |  |
| 10  | 22100-81260 | *DIAPHRAGMASSY   | 1 |  |
| 34  | 39010-11050 | PLUSEPIPE        | 1 |  |
| 35  | 39311-82320 | AIRCLEANERUPPER  | 1 |  |
| 36  | 39311-82330 | AIRCLEANERLOWER  | 1 |  |
| 37  | 39311-82130 | CLEANERCOVER     | 1 |  |
| 38  | 22182-31220 | KNOBCLEANERCOVER | 1 |  |
| 39  | 39311-82360 | ELBOW            | 1 |  |
| 40  | 39311-82370 | GASKET           | 1 |  |
| 41  | 11060-04163 | BOLTADHESIVE     | 2 |  |
| 42  | 01020-05480 | BOLT             | 2 |  |
| 43  | 01610-05080 | WASHER           | 2 |  |
| 44  | 39311-83310 | CHOKEROD         | 1 |  |
| 45  | 39311-83320 | GROMMET          | 1 |  |
| 46  | 39311-83330 | THROTTLE ROD     | 1 |  |
| 47  | 38010-83330 | GROMMET ROD      | 1 |  |





|      |             |               |   |  |
|------|-------------|---------------|---|--|
| 8- 1 | 22000-91181 | PLUGWRENCH    | 1 |  |
| 2    | 09026-03001 | HEXAWRENCH4MM | 1 |  |
| 3    | 09026-04001 | HEXAWRENCH5MM | 1 |  |
| 4    | 19639-01100 | POLYBAG       | 1 |  |

