

Shindaiwa Illustrated Parts List

446s EC1 Brushcutter

CYLINDER / MUFFLER	2
CRANKCASE	3
CYLINDER COVER / HANDLES / FUEL FILTER	4
PISTON / CRANKSHAFT	5
CLUTCH / OIL PUMP / CHAIN COVER	6 - 7
ROTOR / RECOIL STARTER	8
CARBURETOR / AIR CLEANER	9
TOOL SET	10

www.shindaiwa.com

11975 SW Herman Road

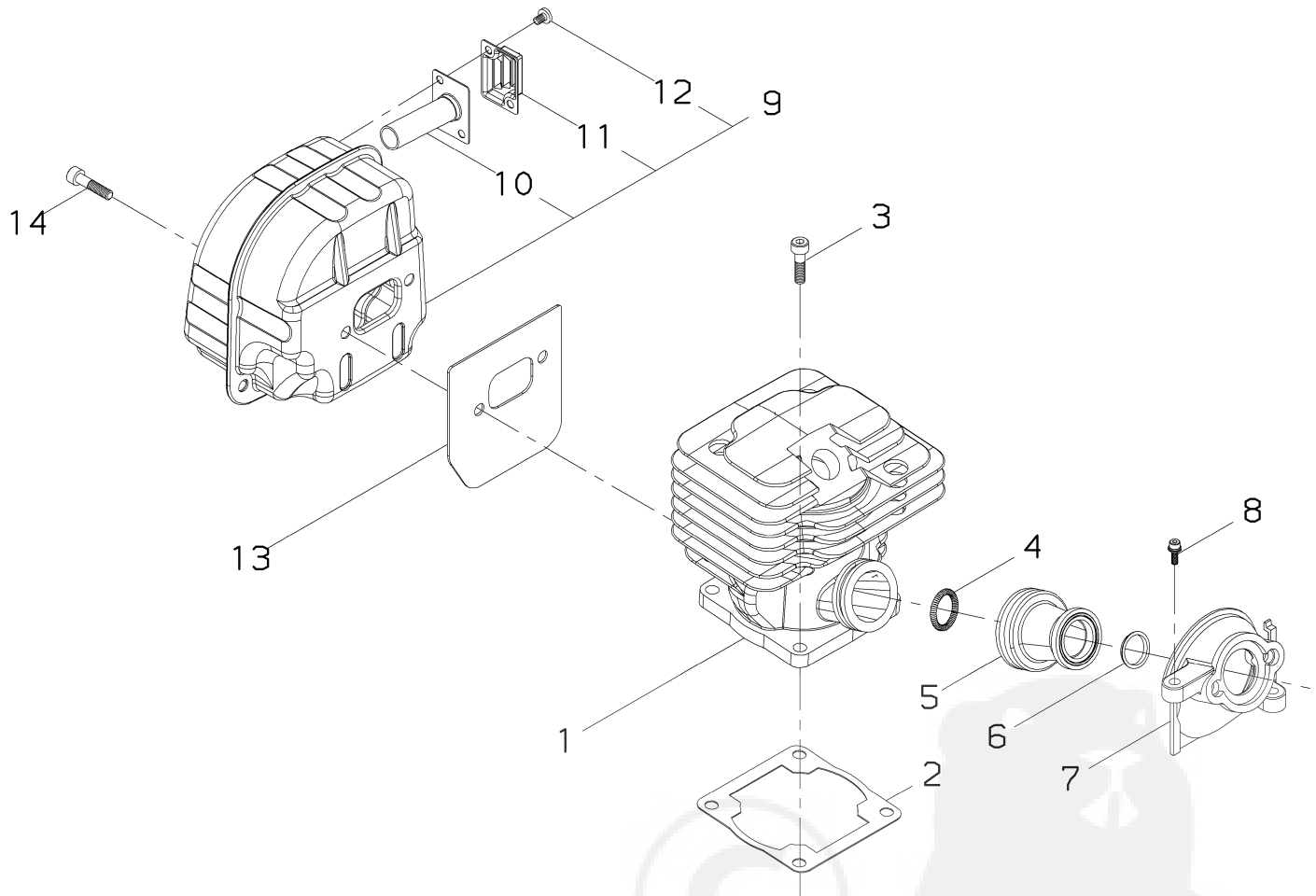
Tualatin, Oregon 97062, U.S.A.

1 + 503.692.3070 • fax 1 + 503.692.6696 •

shindaiwa

CYLINDER / MUFFLER

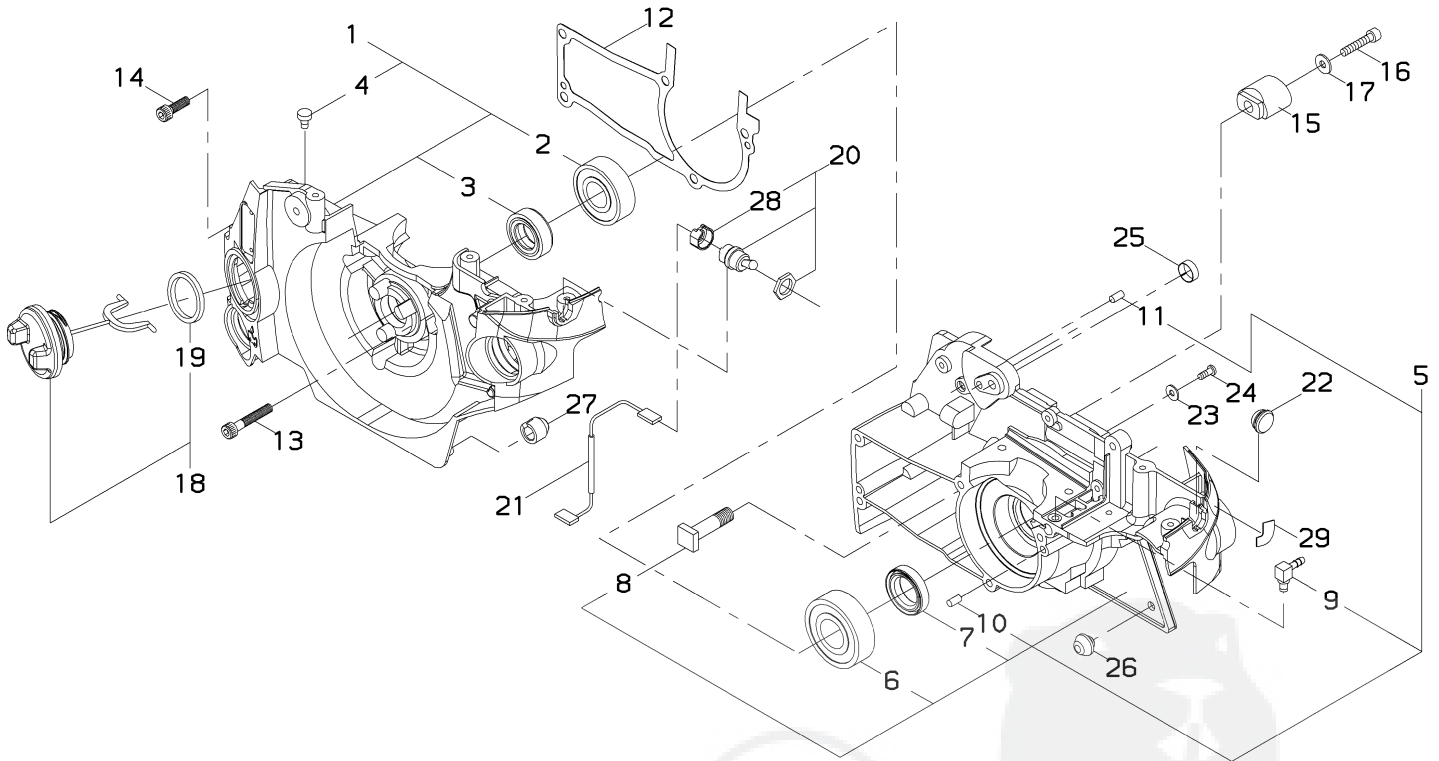
ILLUSTRATION 1 - REV 6/05



Ref. No	Part No.	Part Name	Q'ty
1- 1	39311-12110	CYLINDER	1
2	39311-12120	GASKET	1
3	01020-05180	BOLT	4
4	22160-12160	SPRING	1
5	39311-12210	BOOT	1
6	22156-14140	SLEEVE	1
7	39311-12220	BRACKET	1
8	11060-04163	BOLT ADHESIVE	2
9	39311-15310	MUFFLER ASSEMBLY	1
10	22197-15130	*TAILPIPE	1
11	22160-15210	*TAIL PLATE	1
12	11203-04060	*SCREW PM	2
13	39311-15210	GASKET	1
14	01020-05180	BOLT	4

CRANKCASE

ILLUSTRATION 2 - REV 6/05



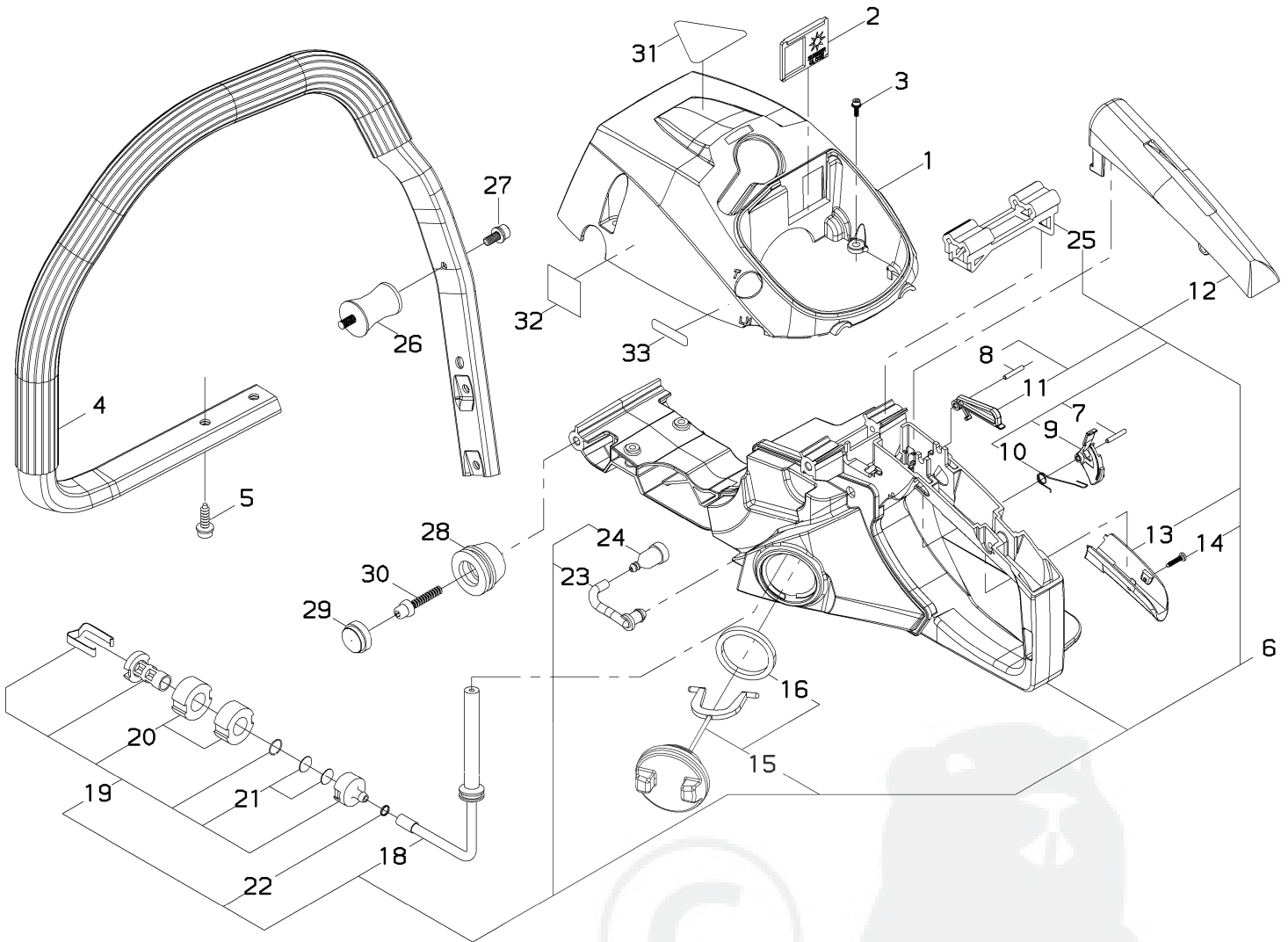
Ref. No	Part No.	Part Name	Q'ty
2-1	39312-21010	CRANKCASE M COMP	1
2	12900-62010	*BEARING	1
3	22150-21250	*OIL SEAL	1
4	22115-57120	*VALVE OIL TANK	1
5	39312-21020	CRANKCASE C COMP	1
6	12900-62020	*BEARING	1
7	22182-21551	*OIL SEAL	1
8	22160-21520	*BOLT BAR	2
9	39010-11020	*PULSE JOINT	1
10	12492-40080	*ROLLER	2
11	12492-40110	*ROLLER	2
12	39311-21320	GASKET CASE	1
13	22169-21910	BOLT	3
14	01020-05180	BOLT	2

Ref. No	Part No.	Part Name	Q'ty
15	22160-52511	CHAIN CATCHER	1
16	22155-12190	BOLT	1
17	01610-05080	WASHER	1
18	39311-21030	CAP ASSEMBLY	1
19	38010-32271	*GASKET	1
20	39311-21340	SWITCH ASSEMBLY	1
21	14352-01100	LEAD WIRE	1
22	22160-22220	PLUG SWITCH	1
23	01613-04080	WASHER	1
24	22173-56150	SCREW	1
25	39311-21360	SLIDE RING	1
26	22182-21621	SUPPORTER	1
27	39311-33330	SUPPORTER	1

* Denotes item is part of an assembly ** Denotes item is part of a sub-assembly

CYLINDER COVER / HANDLES / FUEL FILTER

ILLUSTRATION 3 - REV 6/05

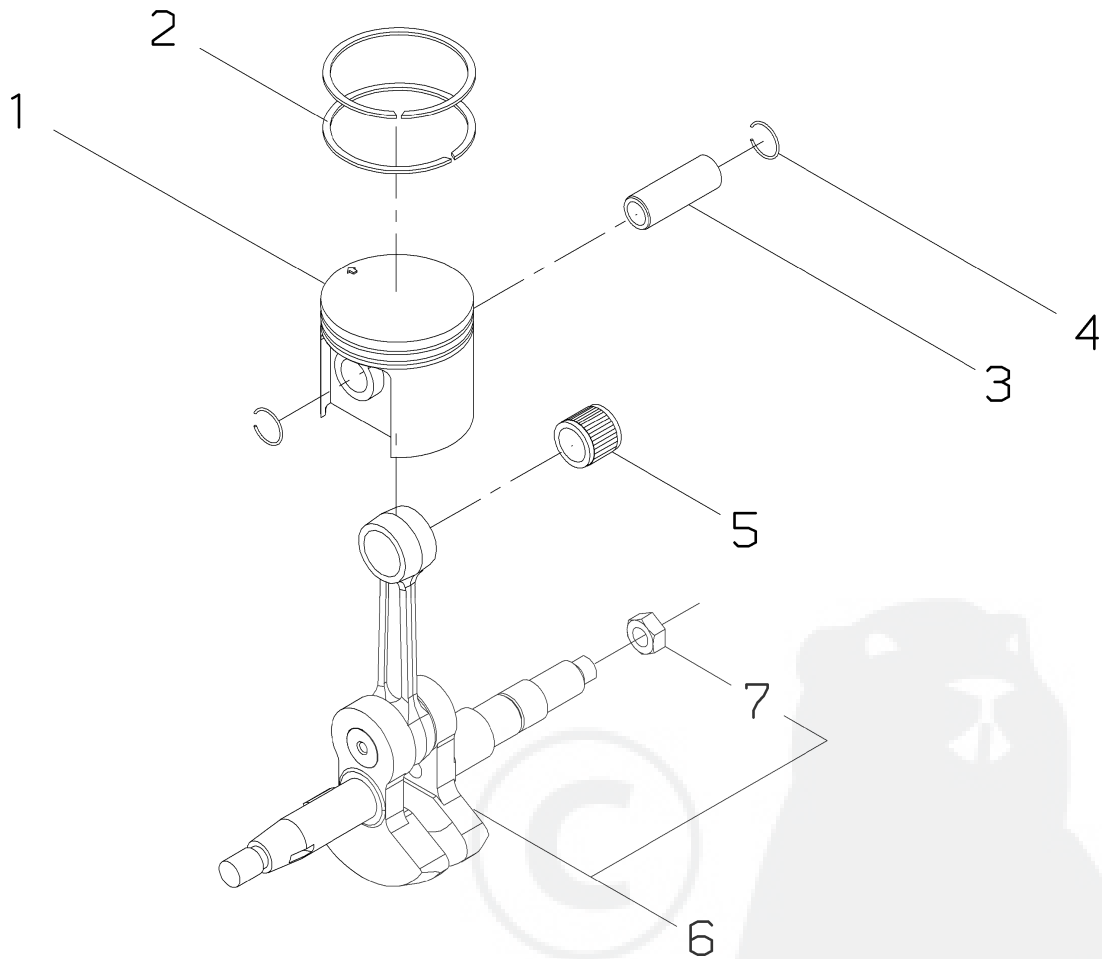


Ref. No	Part No.	Part Name	Q'ty
3-1	39311-31110	CYLINDER COVER	1
2	39311-31310	SHUTTER	1
3	11060-04163	BOLT ADHESIVE	3
4	39311-32110	FRONT HANDLE	1
5	11044-05160	BOLT TAPPING	4
6	39311-32021	REAR HANDLE SUB ASSEMBLY	1
7	12420-40255	*SPRING PIN	1
8	02427-40225	*PIN	1
9	22182-33325	*THROTTLE LEVER	1
10	22182-33340	*SPRING LEVER	1
11	22182-33331	*LOCK LEVER	1
12	39311-32330	*UPPER GRIP	1
13	22182-33230	*GRIP	1
14	01280-04202	*SCREW TAPPING	1
15	39309-32040	*CAP ASSEMBLY	1
16	39309-32270	**GASKET	1

Ref. No	Part No.	Part Name	Q'ty
18	39309-32340	*FUEL PIPE	1
19	22115-85401	*FUEL FILTER SUB ASSEMBLY	1
20	22128-85421	**FILTER	2
21	22118-85460	**SCREEN	2
22	20020-85540	*CLIP	1
23	39311-32340	*PIPE	1
24	22197-33960	*VALVE	1
25	39311-32370	*STOPPER CUSHION	1
26	22182-33742	CUSHION	1
27	11022-04100	BOLT SPW	1
28	39311-33310	CUSHION	4
29	39311-33320	PLUG	4
30	22160-33770	STOPPER BOLT	4
31	19402-00083	LABEL CAUTION	1
32	19404-00038	LABEL DECIBEL	1
33	19401-00094	LABEL INST	1

PISTON / CRANKSHAFT

ILLUSTRATION 4 - REV 6/05

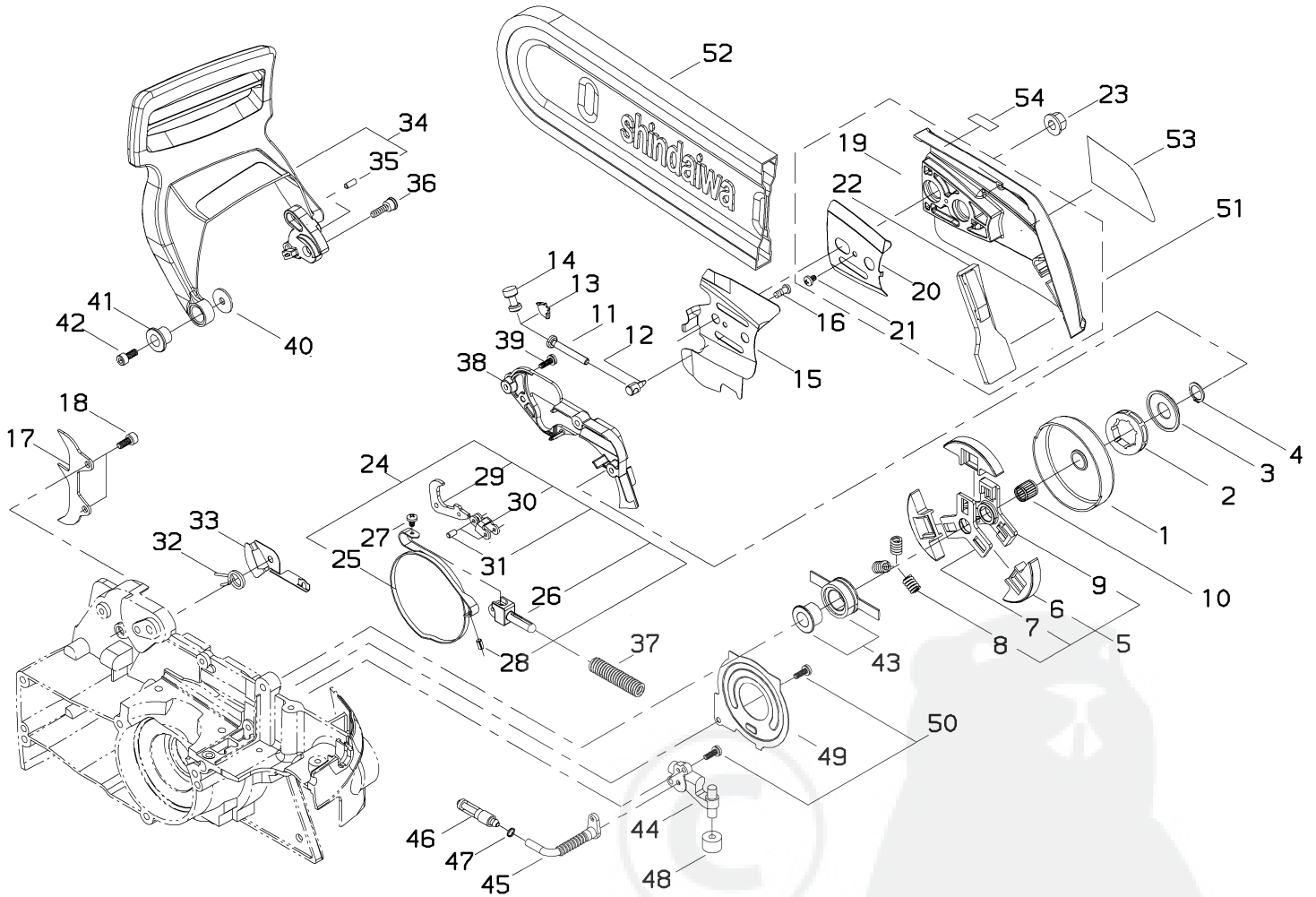


Ref. No	Part No.	Part Name	Q'ty
4- 1	39311-41110	PISTON	1
2	39311-41120	PISTON RING	2
3	22160-41220	PISTON PIN	1
4	22100-41230	SNAP RING	2
5	22160-41240	BEARING SE	1
6	39311-42010	CRANKSHAFT	1

* Denotes item is part of an assembly ** Denotes item is part of a sub-assembly

CLUTCH / OIL PUMP / CHAIN COVER

ILLUSTRATION 5 - REV 6/05



CLUTCH / OIL PUMP / CHAIN COVER

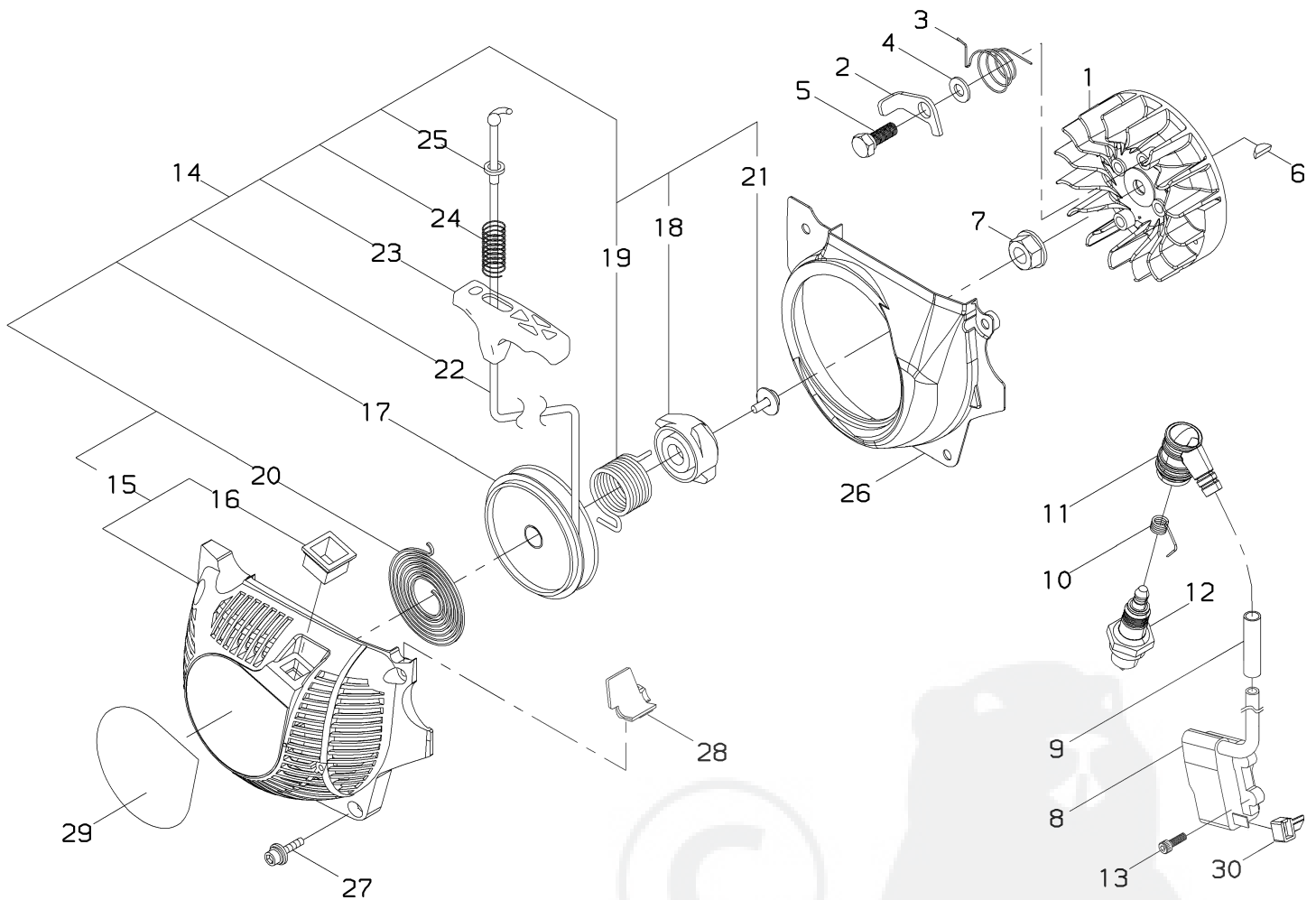
ILLUSTRATION 5 - REV 6/05

Ref. No	Part No.	Part Name	Q'ty
5-1	39311-51110	CLUTCH DRUM	1
2	22131-98120	RIM	1
3	39311-51320	COLLAR	1
4	02430-10100	SNAP RING	1
5	39311-51020	CLUTCH ASSEMBLY	1
6	39311-51120	*CLUTCH SHOE	3
7	39311-51130	*CLUTCH BOSS	1
8	22197-51230	*CLUTCH SPRING	3
9	22182-51241	*CLUTCH BOSS B	1
10	22100-51310	NEEDLE BEARING	1
11	22182-52620	SLIDE SCREW	1
12	22150-52440	SLIDE PIECE	1
13	22182-52631	GUIDE	1
14	22182-52641	ADJUST GEAR	1
15	39311-52130	GUIDE PLATE	1
16	22173-56150	SCREW	1
17	39311-52140	SPIKE	1
18	01020-05120	BOLT	2
51	39311-53010	CLUTCH COVER ASSEMBLY	1
19	39311-53110	*CLUTCH COVER	1
20	39311-53120	*GUIDE PLATE	1
21	01270-04062	*SCREW TAPPING	1
22	39311-53130	*PROTECTOR	1
23	22182-52411	NUT	2
24	39311-54310	BRAKE BAND COMP	1
25	39311-54110	*BRAKE BAND	1
26	39311-54320	*HOLDER	1

Ref. No	Part No.	Part Name	Q'ty
27	01270-04103	*SCREW TAPPING	1
28	02427-40105	*PIN	1
29	39311-54330	*INNER LEVER	1
30	39311-54340	*TIE STRAP	1
31	12492-30110	*ROLLER	2
32	17520-15400	COIL SPRING	1
33	39311-54350	PLATE	1
34	39311-54361	GUARD COMP	1
35	12492-40080	*ROLLER	1
36	39311-54380	BOLT ADHESIVE	1
37	17500-12300	COIL SPRING	1
38	39311-54130	COVER BRAKE	1
39	11060-04141	BOLT ADHESIVE	3
40	22169-54670	WASHER	1
41	15401-10119	COLLAR	1
42	01020-05120	BOLT	1
43	22197-55110	GEAR	1
44	22197-55200	OIL PUMP ASSEMBLY	1
45	22182-55311	OIL PIPE	1
46	22182-55330	OIL FILTER	1
47	20020-85540	CLIP	1
48	22169-55430	FILTER	1
49	39311-55231	PUMP COVER	1
50	11060-04141	BOLT ADHESIVE	3
52	19600-44103	CHAIN COVER	1
53	69025-91331	LABEL TRADE	1
54	19401-00093	LABEL INST	1

ROTOR / RECOIL STARTER

ILLUSTRATION 6 - REV 6/05

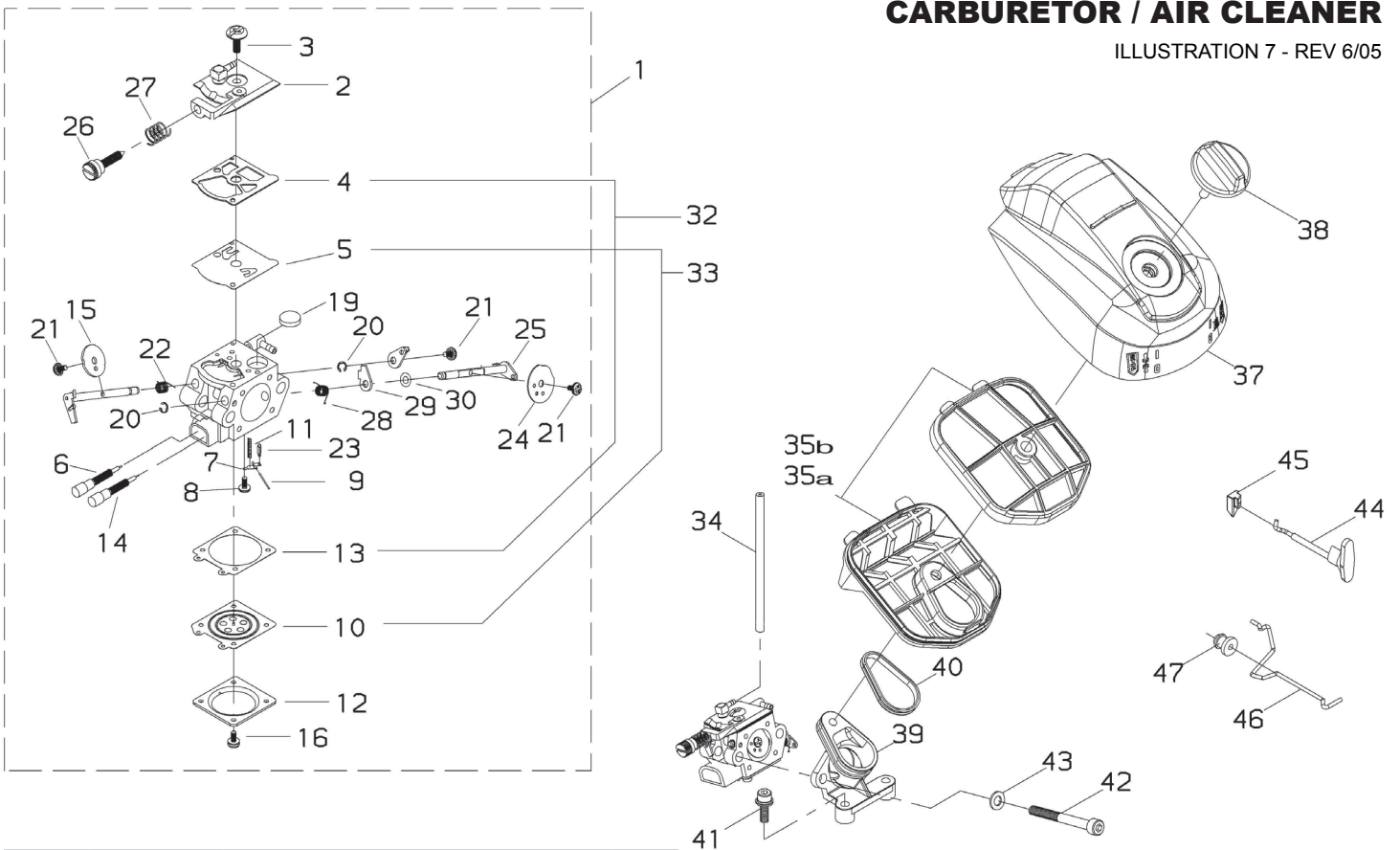


Ref. No	Part No.	Part Name	Q'ty
6-1	39311-71110	ROTOR	1
2	22182-71412	RATCHET	2
3	22182-71421	SPRING RATCHET	2
4	22182-71430	WASHER	2
5	22182-71440	BOLT	2
6	02403-03100	KEY	1
7	22169-71460	NUT	1
8	39311-71210	COIL	1
9	39311-71310	TUBE	1
10	22154-72230	SPRING PLUG	1
11	22160-72220	PLUG CAP	1
12	13000-13507	SPARK PLUG BPMR7A	1
13	11060-04202	BOLT ADHESIVE	1
14	39311-75010	RECOIL STARTER ASSEMBLY	1
15	39311-75110	*RECOIL CASE	1

Ref. No	Part No.	Part Name	Q'ty
16	22182-75120	**GUIDE	1
17	39300-75121	*REEL	1
18	39300-75311	*CAM	1
19	39300-75320	*COIL SPRING	1
20	39300-75130	*RECOIL SPRING	1
21	39300-75330	*SCREW	1
22	39300-75140	*ROPE	1
23	39300-75150	*KNOB	1
24	39300-75340	*COIL SPRING	1
25	39300-75350	*SPACER	1
26	39311-75210	AIR PLATE	1
27	11060-04163	BOLT ADHESIVE	4
28	69025-75310	GROMMET	1
29	69025-91321	LABEL TRADE	1

CARBURETOR / AIR CLEANER

ILLUSTRATION 7 - REV 6/05



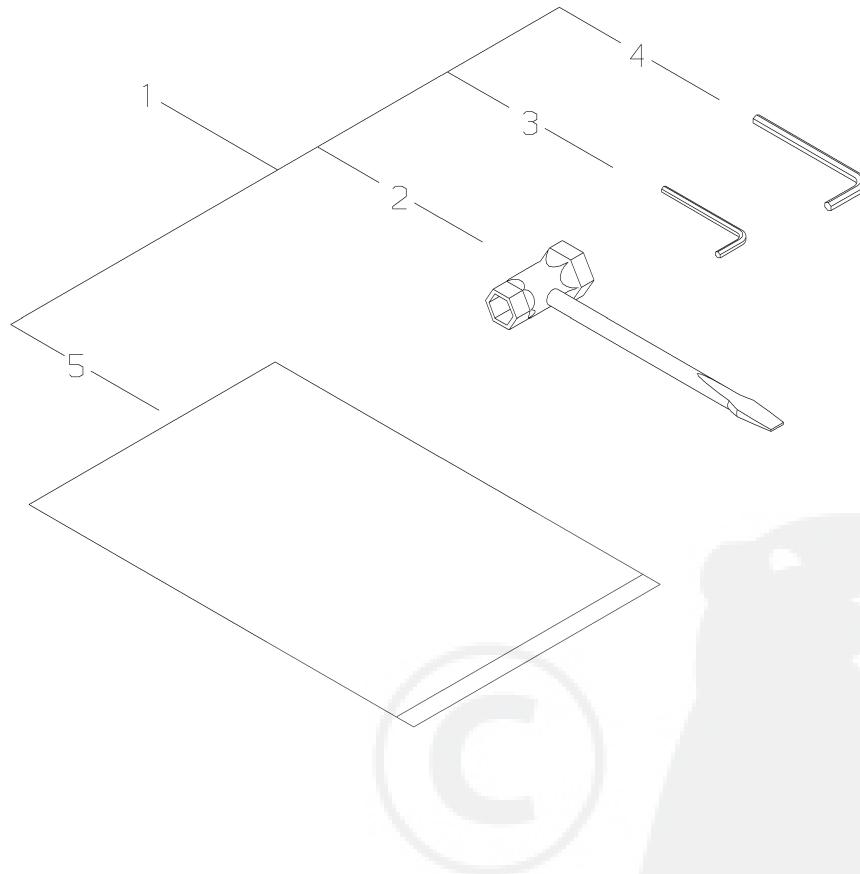
Ref. No	Part No.	Part Name	Q'ty
7-1	69025-81010	CARBURETOR ASSEMBLY	1
2	39010-81320	*PUMP COVER ASSEMBLY	1
3	22100-81130	*SCREW	1
4	22128-81140	*GASKET PUMP COVER	1
5	22128-81150	*DIAPHRAGM PUMP	1
6	69024-81320	*NEEDLE	1
7	22100-81230	*LEVER	1
8	22100-81240	*SCREW	1
9	22100-81250	*PIN	1
10	22100-81260	*DIAPHRAGM ASSEMBLY	1
11	72342-81270	*SPRING LEVER	1
12	22100-81280	*COVER DIAPHRAGM	1
13	22100-81290	*GASKET DIAPHRAGM	1
14	69024-81330	*NEEDLE	1
15	22197-81340	*THROTTLE VALVE	1
16	22100-81351	*SCREW	4
19	70030-81380	*SCREEN	1
20	70030-81390	*ERING	2
21	20803-81150	*SCREW ASSEMBLY	3
22	72320-81420	*RETURN SPRING	1
23	20036-81440	*NEEDLE VALVE	1
24	22156-81710	*CHOKE VALVE	1
25	22180-81740	*SHAFT ASSEMBLY	1
26	72320-81410	*IDLE SCREW	1
27	22156-81420	*SPRING IDLE	1

Ref. No	Part No.	Part Name	Q'ty
28	22180-81460	*SPRING CHOKE	1
29	22180-81471	*LEVER	1
30	20036-81185	*WASHER	1
32	22128-81920	GASKET KIT	1
4	22128-81140	*GASKET PUMP COVER	1
13	22100-81290	*GASKET DIAPHRAGM	1
33	22128-81910	DIAPHRAGM KIT	1
5	22128-81150	*DIAPHRAGM PUMP	1
10	22100-81260	*DIAPHRAGM ASSEMBLY	1
34	39010-11050	PULSE PIPE	1
35	39311-82320	AIR CLEANER UPPER	1
36	39311-82330	AIR CLEANER LOWER	1
37	39311-82130	CLEANER COVER	1
38	22182-31220	KNOB CLEANER COVER	1
39	39311-82360	ELBOW	1
40	39311-82370	GASKET	1
41	11060-04163	BOLT ADHESIVE	2
42	01020-05480	BOLT	2
43	01610-05080	WASHER	2
44	39311-83310	CHOKE ROD	1
45	39311-83320	GROMMET	1
46	39311-83330	THROTTLE ROD	1
47	38010-83330	GROMMET ROD	1

* Denotes item is part of an assembly ** Denotes item is part of a sub-assembly

TOOL SET

ILLUSTRATION 8 - REV 6/05



Ref. No	Part No.	Part Name	Q'ty
8-1	69023-92310	TOOL SET	1
2	22102-91410	PLUG WRENCH	1
3	09026-03001	HEXA WRENCH 4MM	1
4	09026-04001	HEXA WRENCH 5MM	1
5	19639-01100	POLY BAG	1



shindaiwa

www.shindaiwa.com

11975 SW Herman Road, Tualatin, Oregon 97062, U.S.A.

1 + 503.692.3070 • fax 1 + 503.692.6696 •

Item #xxxx Effective 06/05