

**shindaiwa<sup>®</sup>**

**PARTS CATALOG**

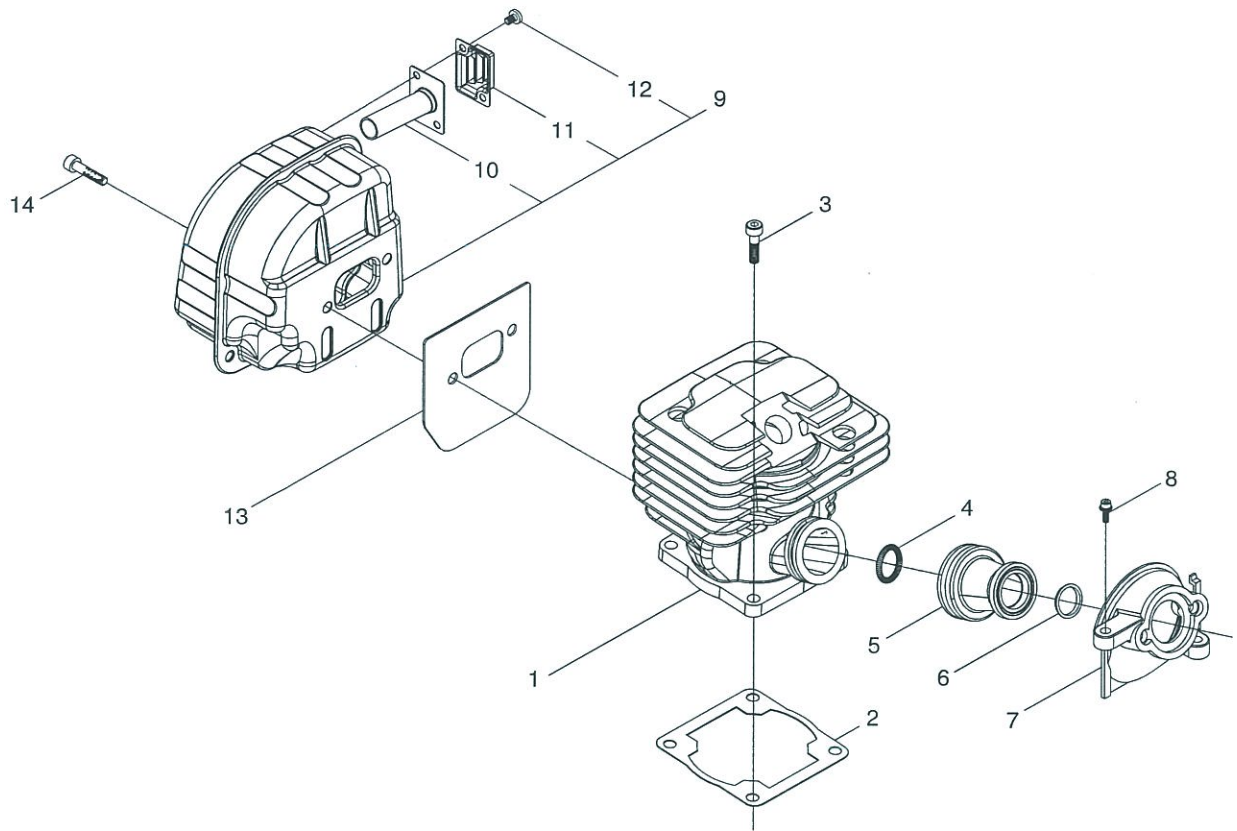
**CHAIN SAW  
452S(70)**



P016-001080-12Gb

452S(70)

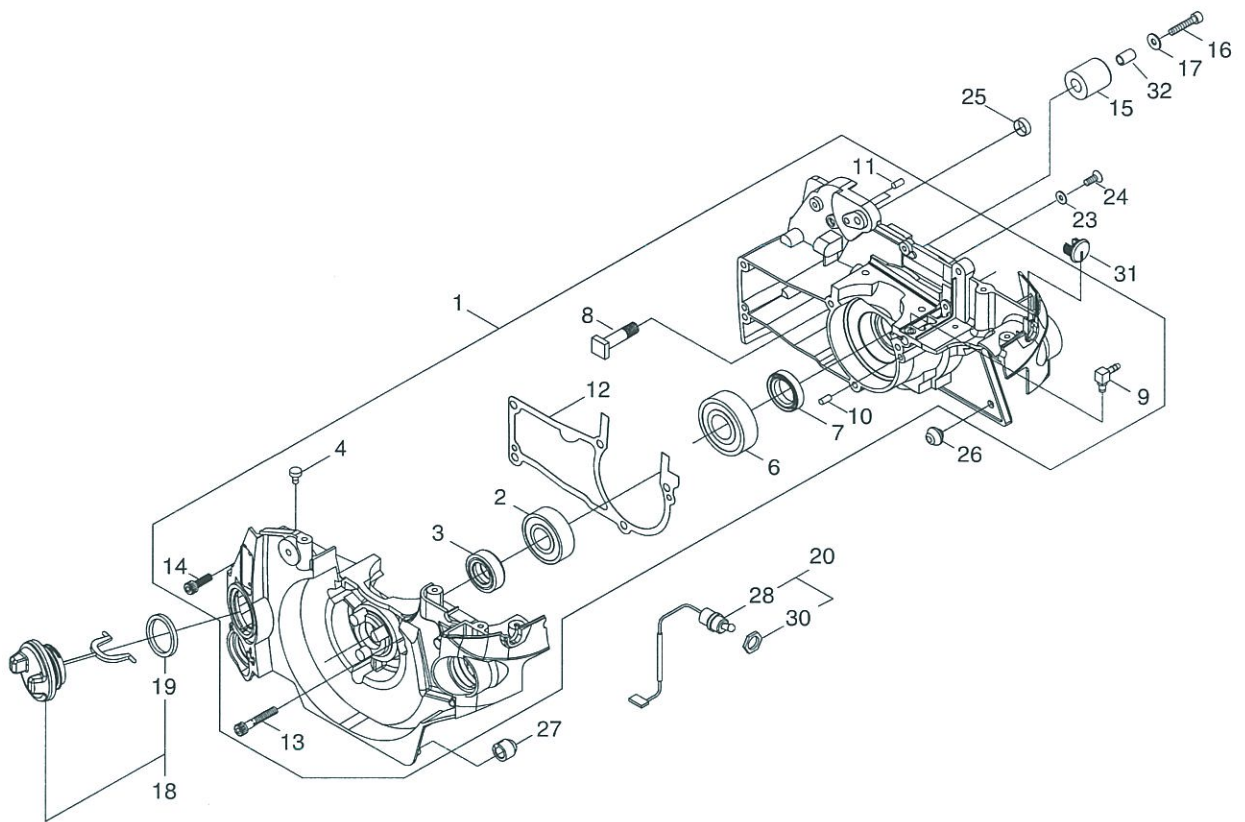
1 CYLINDER, MUFFLER



KEY	LV	PART NUMBER	QTY	DESCRIPTION	REMARKS
1		A130-001644	1	CYLINDER	
2		V100-000540	1	GASKET	
3		900105-05018	4	BOLT, H.S. 5*18	
4		V451-000920	1	SPRING	
5		A202-000150	1	BOOT	
6		V359-000200	1	COLLAR	
7		A200-000852	1	INSULATOR, INTAKE	
8		V202-000200	2	BOLT	
9		A030-000510	1	MUFFLER ASSY	
10	+	A313-001530	1	GUIDE, EXH	
11	+	A313-001460	1	TAIL PLATE	
12	+	91578-04006	2	SCREW	
13		V104-001581	1	GASKET, EXHAUST	
14		V203-001540	4	BOLT, ADHESIVE	

# 452S(70)

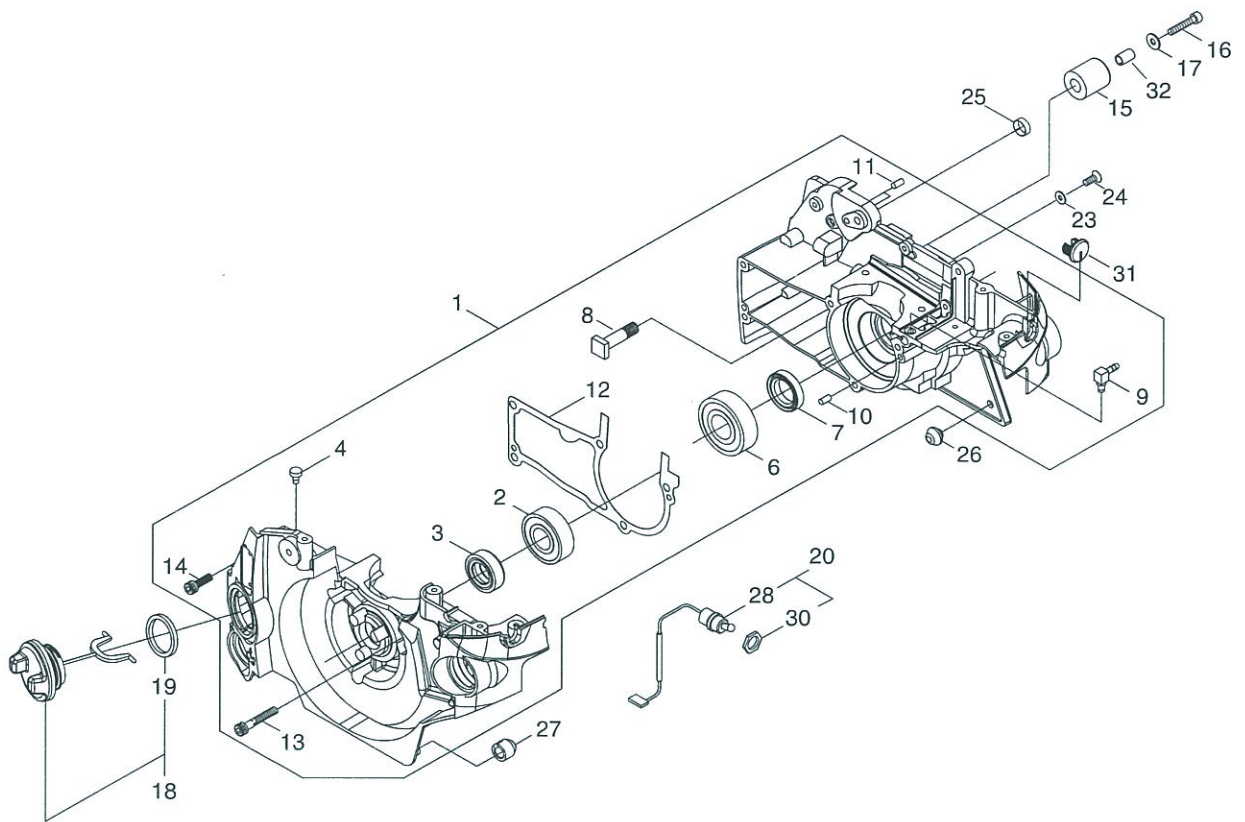
## 2 CRANKCASE



KEY	LV	PART NUMBER	QTY	DESCRIPTION	REMARKS
1		P021-038782	1	CRANKCASE SET	
2	+	V592-000330	1	BEARING, BALL	
3	+	V505-000140	1	SEAL,OIL	
4	+	A356-000130	1	VALVE,CHECK	
6	+	V592-000290	1	BEARING, BALL	
7	+	V508-000060	1	SEAL,OIL	
8	+	V225-000150	2	BOLT,STUD	
9	+	437239-14730	1	NIPPLE	
10	+	900330-40080	2	PIN F 4*8	
11	+	V629-000000	2	ROLLER	
12	+	V102-000161	1	GASKET,CRANKCASE	
13	+	V203-001450	3	BOLT	
14	+	900105-05018	2	BOLT, H.S. 5*18	
15		C310-000110	1	CATCHER, CHAIN	
32		V353-000460	1	BUSH	
16		V203-000370	1	BOLT ADHESIVE	
17		900600-00005	1	WASHER 5	
18		C020-000040	1	CAP	
19	+	V107-000090	1	GASKET,FUEL CAP	
20		P021-037400	1	SWITCH, ON OFF	
28	+	A440-001920	1	SWITCH, ON OFF	
30	+	V266-000090	1	NUT,10	
23		900603-00004	1	WASHER 4	
24		900212-04008	1	SCREW 4*8	
25		V355-000460	1	COLLAR,8	
26		V420-002770	1	CUSHION	

# 452S(70)

## 2 CRANKCASE

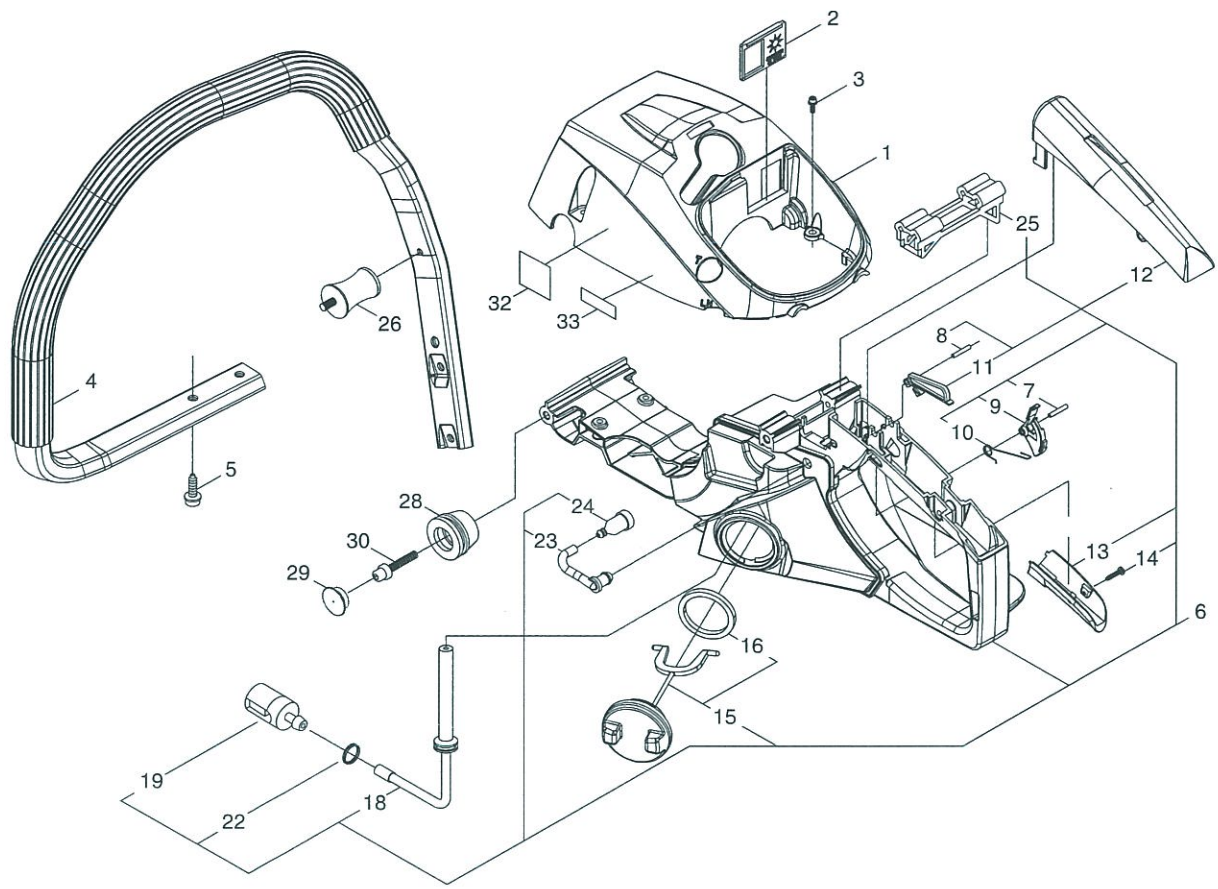


KEY	LV	PART NUMBER	Q'TY	DESCRIPTION	REMARKS
27		V420-002780	1	CUSHION	
31		V141-000100	1	PLUG	



# 452S(70)

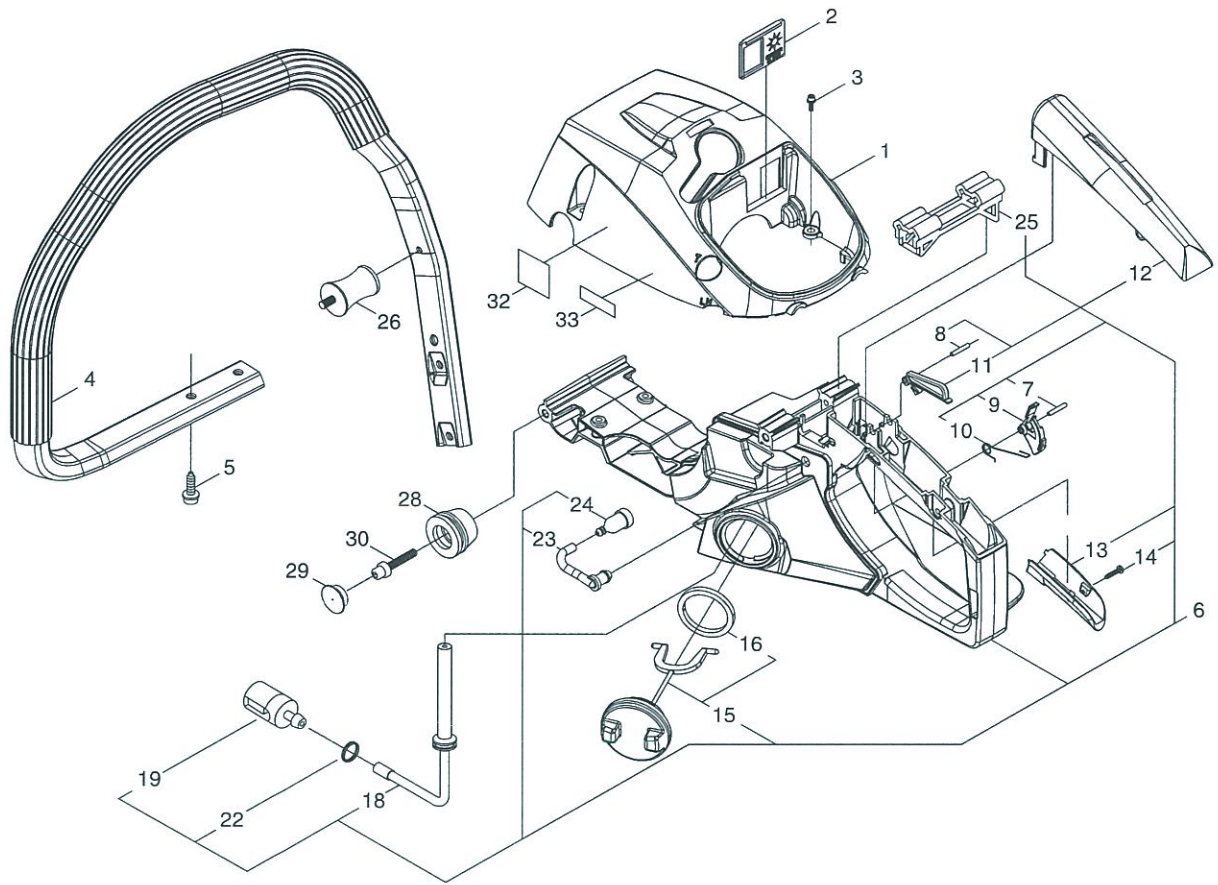
## 3 HANDLE



KEY	LV	PART NUMBER	Q'TY	DESCRIPTION	REMARKS
1		A160-002361	1	COVER,CYLINDER	
2		A219-000040	1	SHUTTER,AIR	
3		V202-000200	3	BOLT	
4		C040-000570	1	HANDLE,FRONT	
5		V203-001490	4	BOLT TAPPING	
6		P021-040400	1	HANDLE ASY, REAR	
7	+	93060-40250	1	PIN, SPRING	
8	+	93042-40220	1	PIN, SPRING	
9	+	C450-000641	1	CONTROL, THROTTLE	
10	+	V452-000850	1	SPRING,TORSION	
11	+	C460-000310	1	LOCKOUT,THROTTLE	
12	+	C411-000130	1	LID,HANDLE	
13	+	C403-000530	1	GRIP	
14	+	91449-04022	1	SCREW TAPPING	
15	+	A033-000220	1	CAP ASSY	
16	++	V107-000070	1	GASKET	
18	+	V470-001520	1	PIPE	
19	+	131205-19831	1	STRAINER, FUEL	
22	+	V490-000500	1	CLIP	
23	+	V470-001530	1	PIPE	
24	+	131300-56431	1	VENT ASSEMBLY, FUEL	
25	+	V420-002810	1	STOPPER	
26		V401-000330	1	CUSHION	
27		V202-000260	1	BOLT,4	
28		V401-000340	4	CUSHION	
29		V421-000070	4	CAP,CUSHION	

# 452S(70)

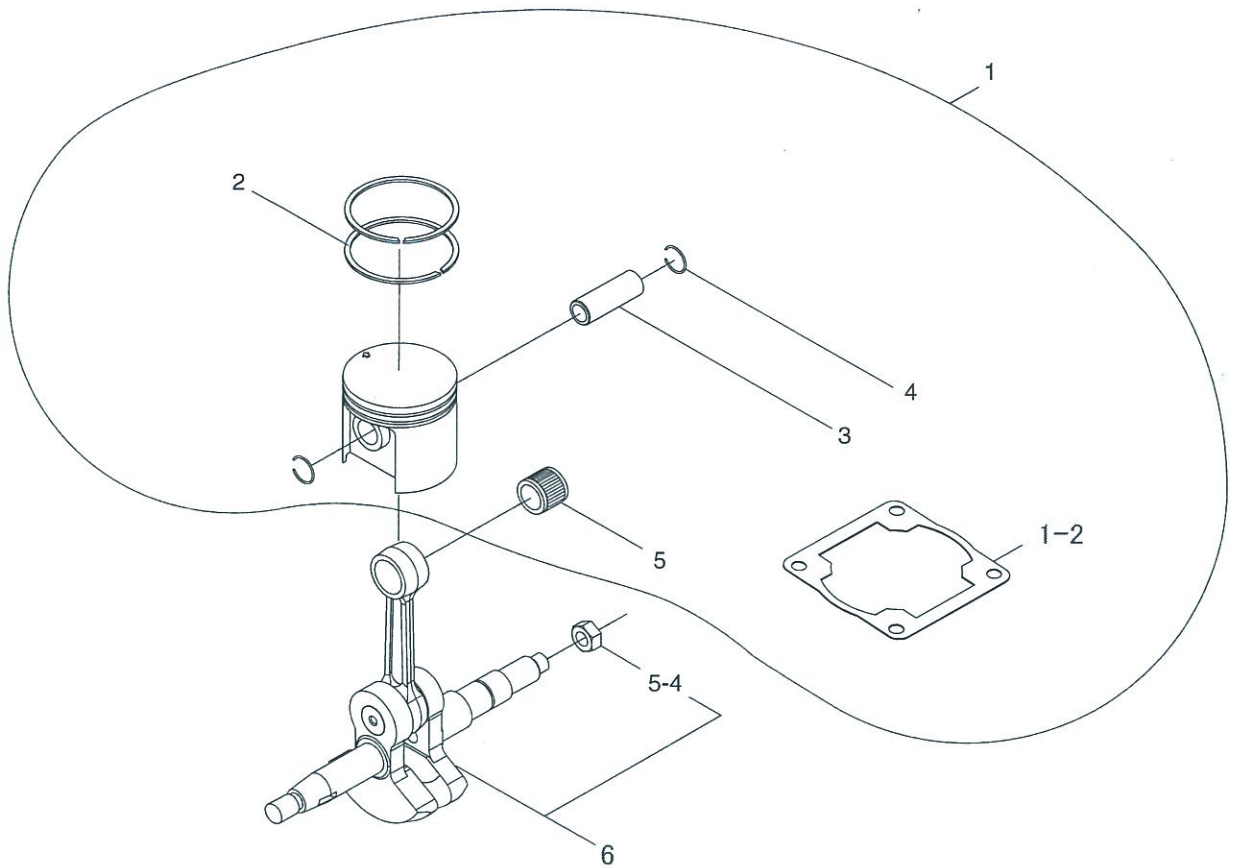
# 3 HANDLE



KEY	LV	PART NUMBER	Q'TY	DESCRIPTION	REMARKS
30		V203-001480	4	BOLT	
32		890345-39230	1	LABEL,CAUTION	
33		X505-001340	1	LABEL,CAUTION	

452S(70)

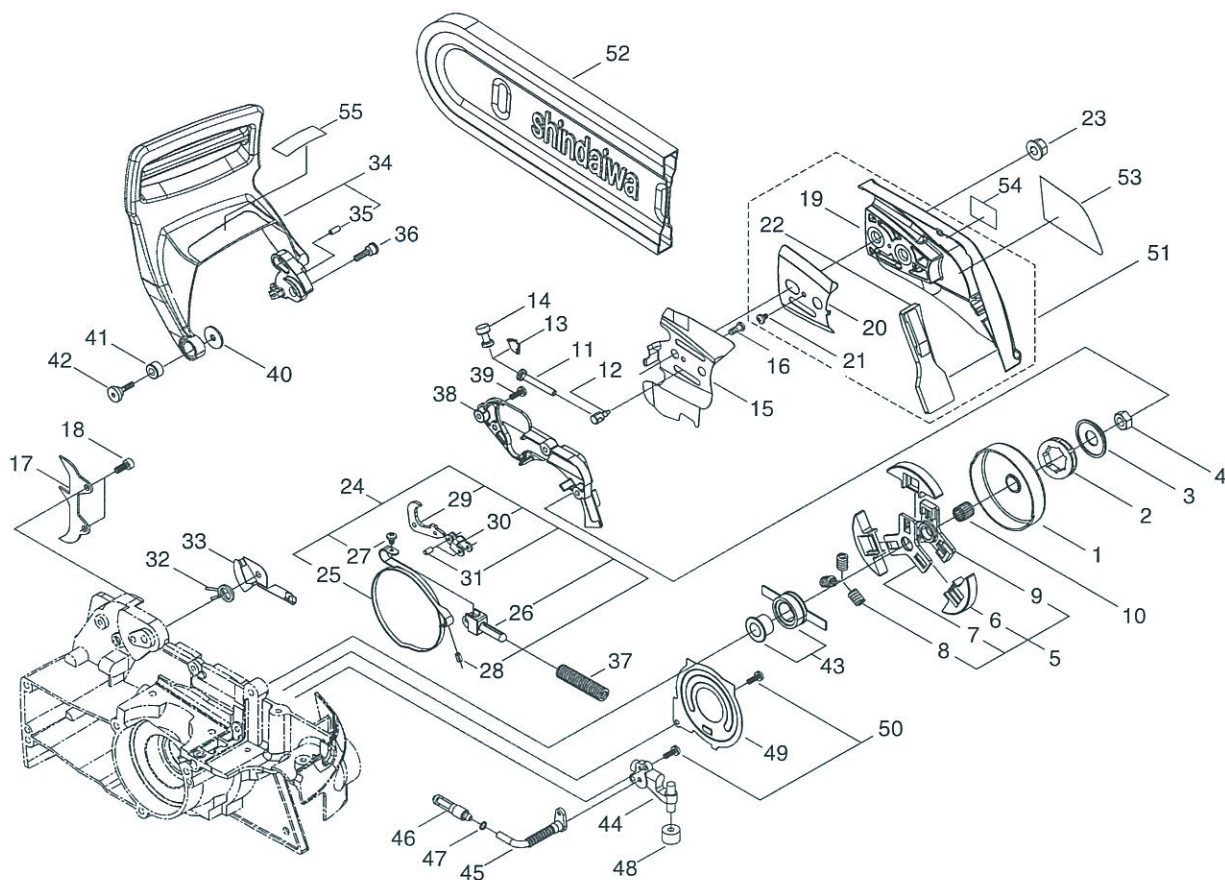
4 PISTON, CRANKSHAFT



KEY	LV	PART NUMBER	Q'TY	DESCRIPTION	REMARKS
1		P021-029870	1	PISTON SET	
2	+	A101-000530	2	PISTON RING	
3	+	V608-000050	1	PIN,ENG	
4	+	V580-000110	2	SNAP RING	
5	+	V555-000140	1	BEARING	
6		P021-026681	1	CRANK SHAFT	

# 452S(70)

# 5 CLUTCH, SPROCKET

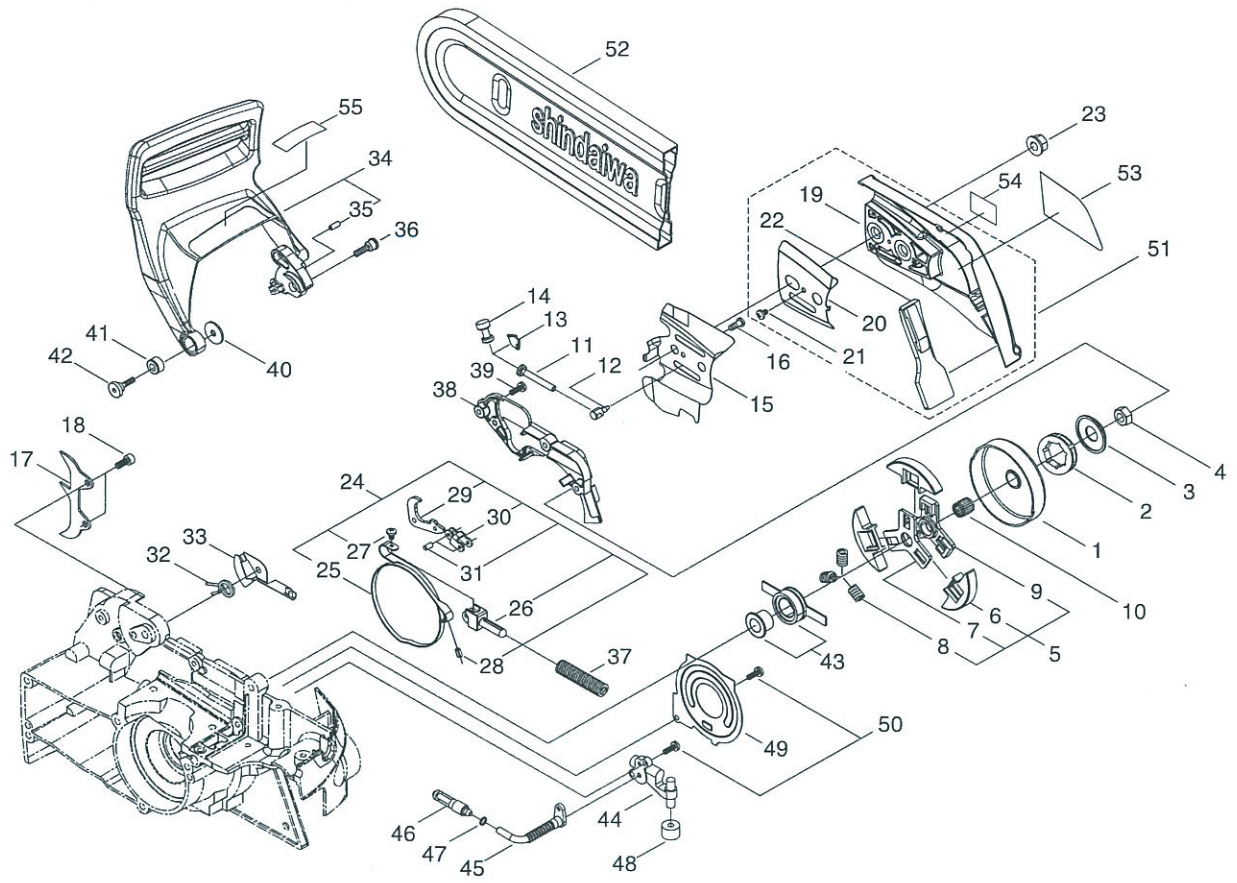


KEY	LV	PART NUMBER	Q'TY	DESCRIPTION	REMARKS
1		A556-001121	1	DRUM, CLUTCH	
2		175114-12530	1	SPROCKET, RIM .325	
3		V307-000451	1	WASHER, CIRCULAR 10	
4		V265-000211	1	NUT, 8	
5		A056-000610	1	ASM, CLUCH	
6	+	A555-000210	3	SHOE, CLUTCH	
7	+	A552-000230	1	HUB, CLUTCH	
8	+	V451-000930	3	SPRING	
9	+	A552-000240	1	HUB, CLUTCH	
10		V555-000150	1	BEARING, NEEDLE	
11		V253-000610	1	SCREW	
12		C309-000110	1	TENSIONER, CHAIN	
13		V152-002430	1	GUIDE	
14		V651-000790	1	GEAR, BEVEL	
15		C305-000411	1	PLATE, SPROCKET GUARD	
16		V252-000470	1	SCREW, 4	
17		C304-000130	1	SPIKE	
18		900105-05012	2	BOLT, H.S. 5*12	
51		P021-026922	1	CLUTCH COVER ASSY	
19	+	C300-000681	1	GUARD, SPROCKET	
20	+	C305-000260	1	PLATE, SPROCKET GUARD	
21	+	900253-04008	1	SCREW 4*8	
22	+	C302-000030	1	PROTECTOR	
23		V265-000200	2	NUT	
24		C328-000210	1	BAND, BRAKE	
25	+	C328-000220	1	BAND, BRAKE	



# 452S(70)

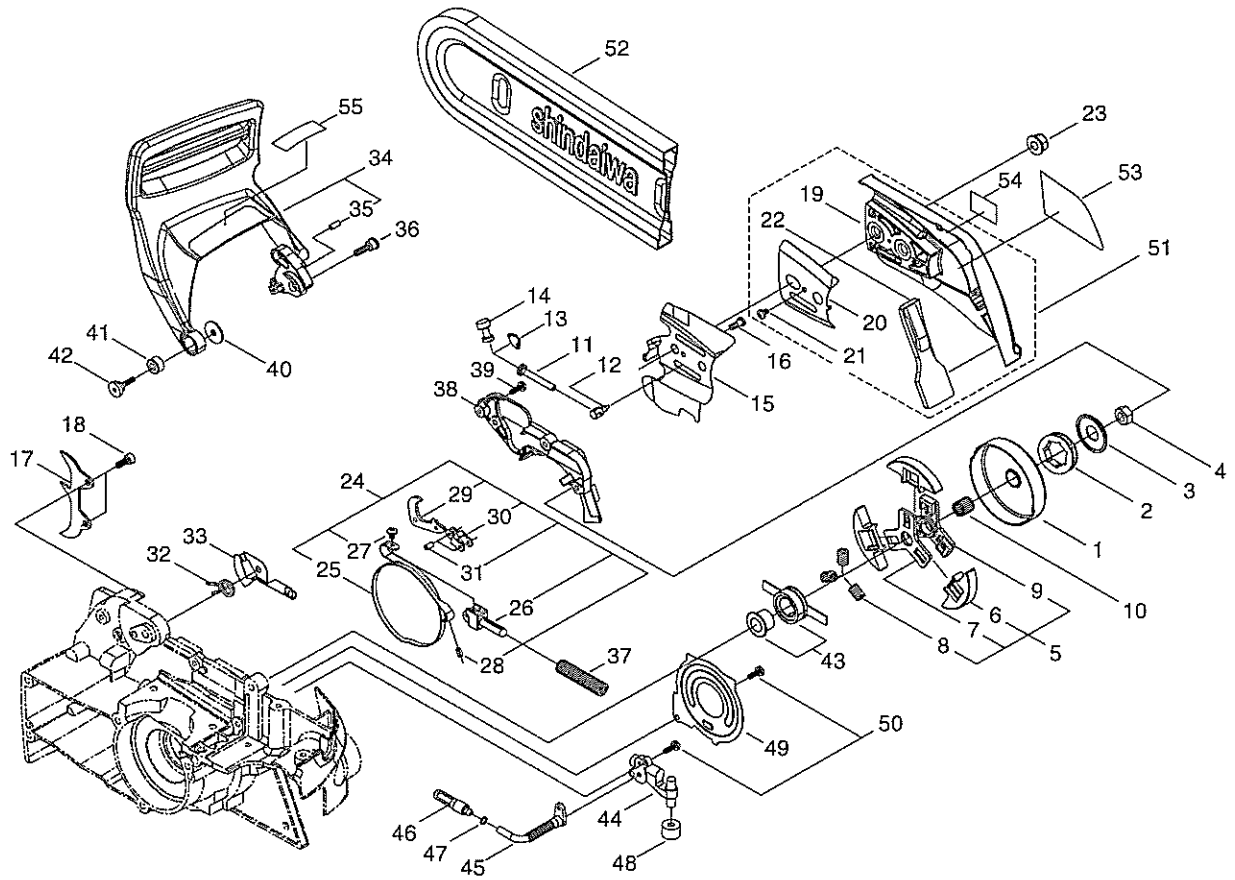
# 5 CLUTCH, SPROCKET



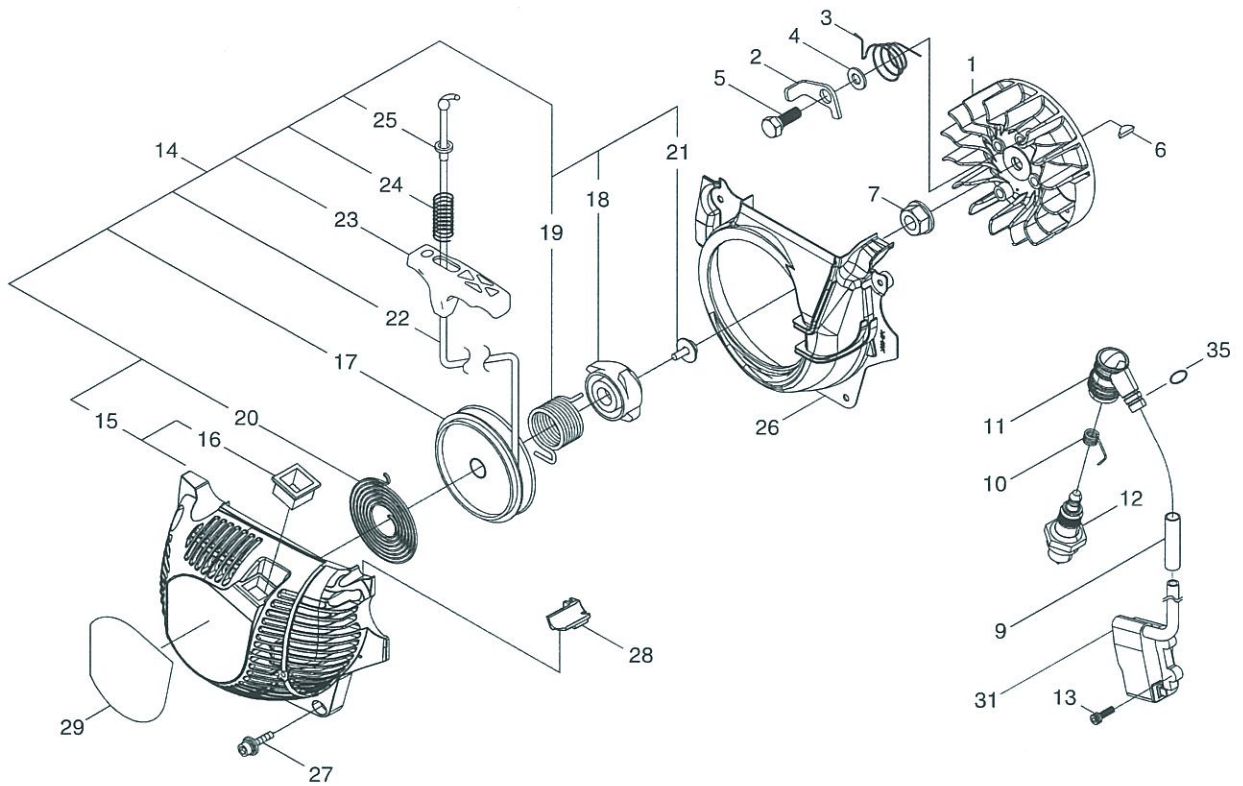
KEY	LV	PART NUMBER	Q'TY	DESCRIPTION	REMARKS
26	+	C334-000180	1	CONNECTOR,BRAKE	
27	+	91381-04010	1	SCREW TAPPING	
28	+	93042-40100	1	PIN, SPRING	
29	+	C334-000190	1	CONNECTOR, BRAKE	
30	+	C334-000200	1	CONNECTOR,BRAKE	
31	+	900330-30120	2	PIN	
32		V452-000860	1	SPRING,TORSION	
33		C347-000010	1	PLATE,BRAKE SEAL	
34		P021-026933	1	GUARD COMP	
35	+	900330-40080	1	PIN F 4*8	
36		V203-001470	1	BOLT,ADHESIVE	
37		V450-001160	1	SPRING,COIL	
38		C345-000420	1	COVER BRAKE	
39		V202-000520	3	BOLT,4	
40		V303-000320	1	WASHER,CIRCULAR 5	
41		J211-000430	1	BUSH	
42		V203-001410	1	BOLT ADHESIVE	
43		P021-023110	1	GEAR	
44		C022-000121	1	AUTO-OILER ASSEMBLY	
45		V470-001840	1	PIPE	
46		C209-000070	1	STRAINER,OIL	
47		V490-000500	1	CLIP	
48		C211-000010	1	ELEMENT	
49		C236-000060	1	COVER,OILER	
50		V202-000520	3	BOLT,4	
52		X490-000300	1	CHAIN COVER	

452S(70)

5 CLUTCH, SPROCKET



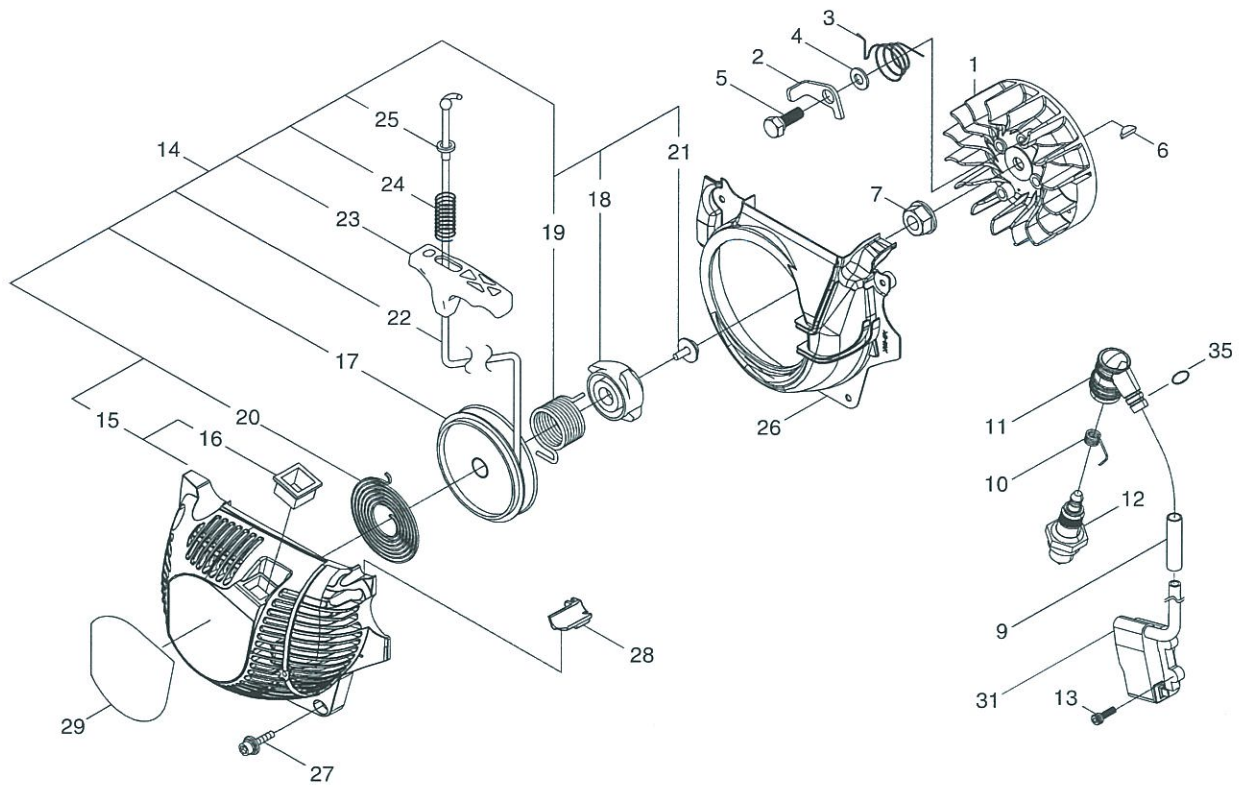
KEY	LV	PART NUMBER	Q'TY	DESCRIPTION	REMARKS
53		X504-004190	1	LABEL TRADE	
54		890316-39130	1	LABEL, CAUTION	
55		X505-007100	1	LABEL, CAUTION	



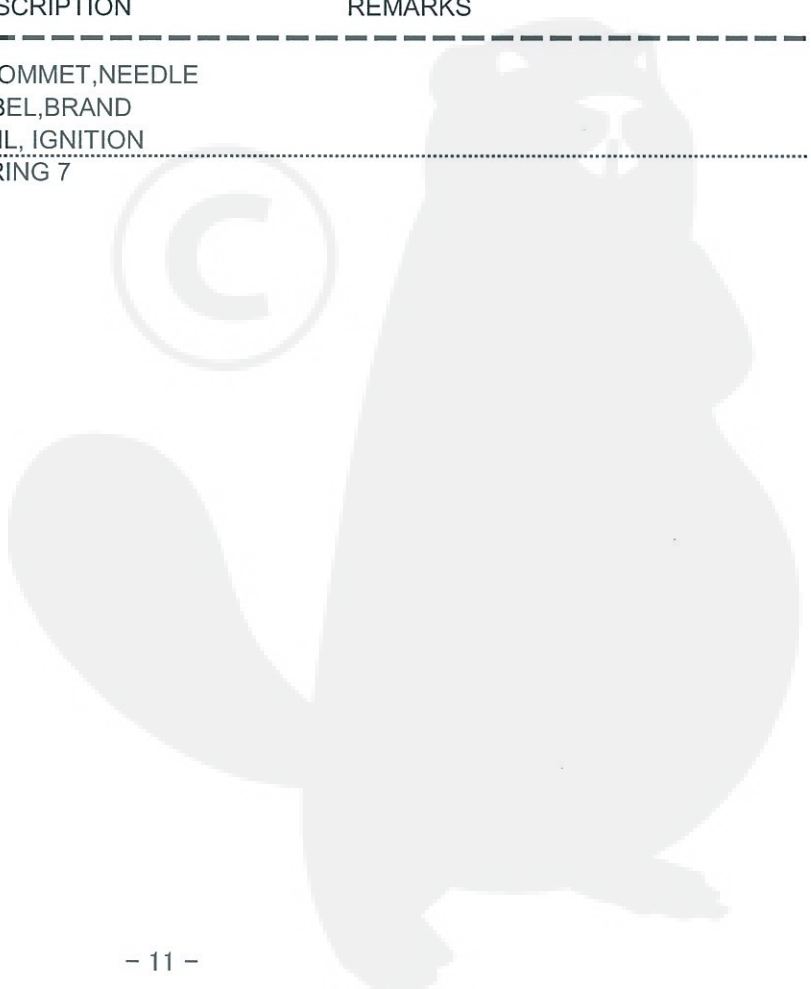
KEY	LV	PART NUMBER	Q'TY	DESCRIPTION	REMARKS
1		A409-000901	1	ROTOR, MAGNETO	
2		A514-000220	2	PAWL	
3		V452-000870	2	SPRING, TORSION	
4		V304-000270	2	WASHER, CIRCULAR 6	
5		V204-000620	2	BOLT	
6		93115-03010	1	KEY	
7		V265-000220	1	NUT	
9		V475-005180	1	TUBE	
10		A426-000040	1	TERMINAL, SPARKPLUG	
11		A427-000060	1	CAP, SPARK PLUG	
12		159010-10230	1	PLUG, SPARK (BPMR-7A	
13		V202-000540	2	BOLT, 4	
14		A051-002260	1	STARTER, RECOIL ASY	
15	+	A500-001310	1	CASE, STARTER	
16	++	A510-000130	1	GUIDE, ROPE	
17	+	A506-000390	1	REEL	
18	+	A507-000080	1	CATCHER, PAWL	
19	+	V452-000880	1	SPRING, TORSION	
20	+	A504-000220	1	SPRING, RECOIL	
21	+	V253-000640	1	SCREW	
22	+	A509-000380	1	ROPE	
23	+	A511-000230	1	NOB	
24	+	V450-001170	1	SPRING, COMPRESSION	
25	+	V376-001400	1	SPACER	
26		A172-001870	1	COVER, FAN	
27		V202-000200	4	BOLT	

# 452S(70)

# 6 STARTER, MAGNETO

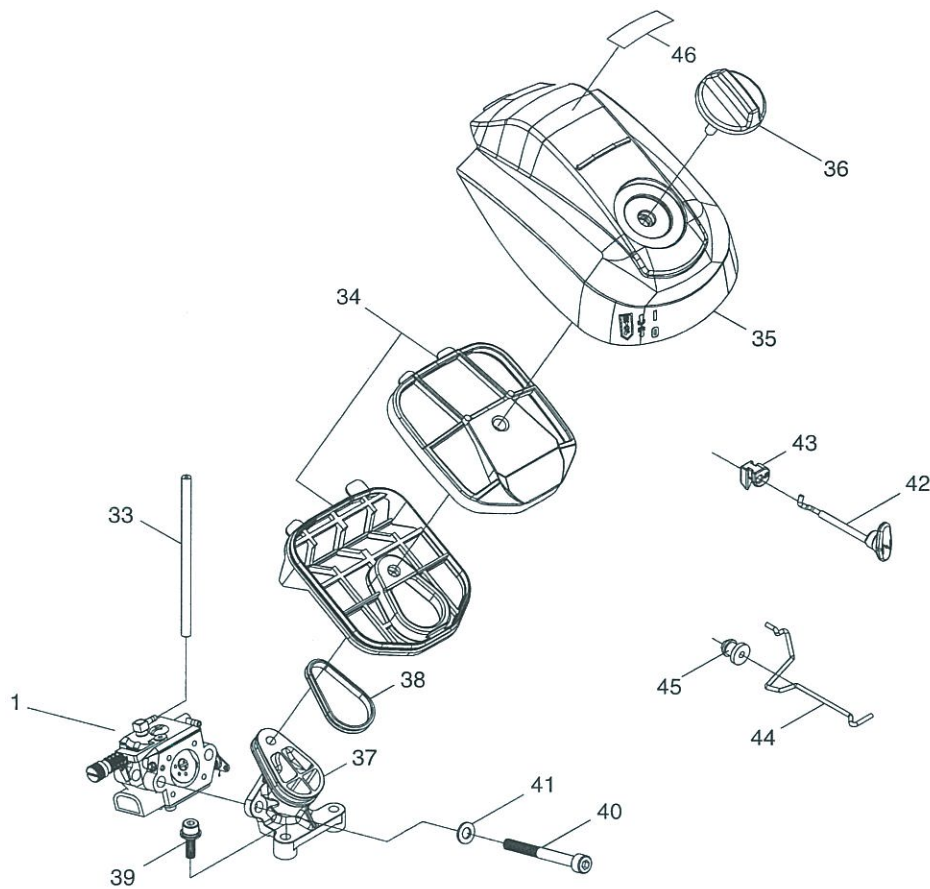


KEY	LV	PART NUMBER	Q'TY	DESCRIPTION	REMARKS
28		V131-000190	1	GROMMET, NEEDLE	
29		X504-006450	1	LABEL, BRAND	
31		P021-036741	1	COIL, IGNITION	
35		900720-20007	1	O-RING 7	



# 452S(70)

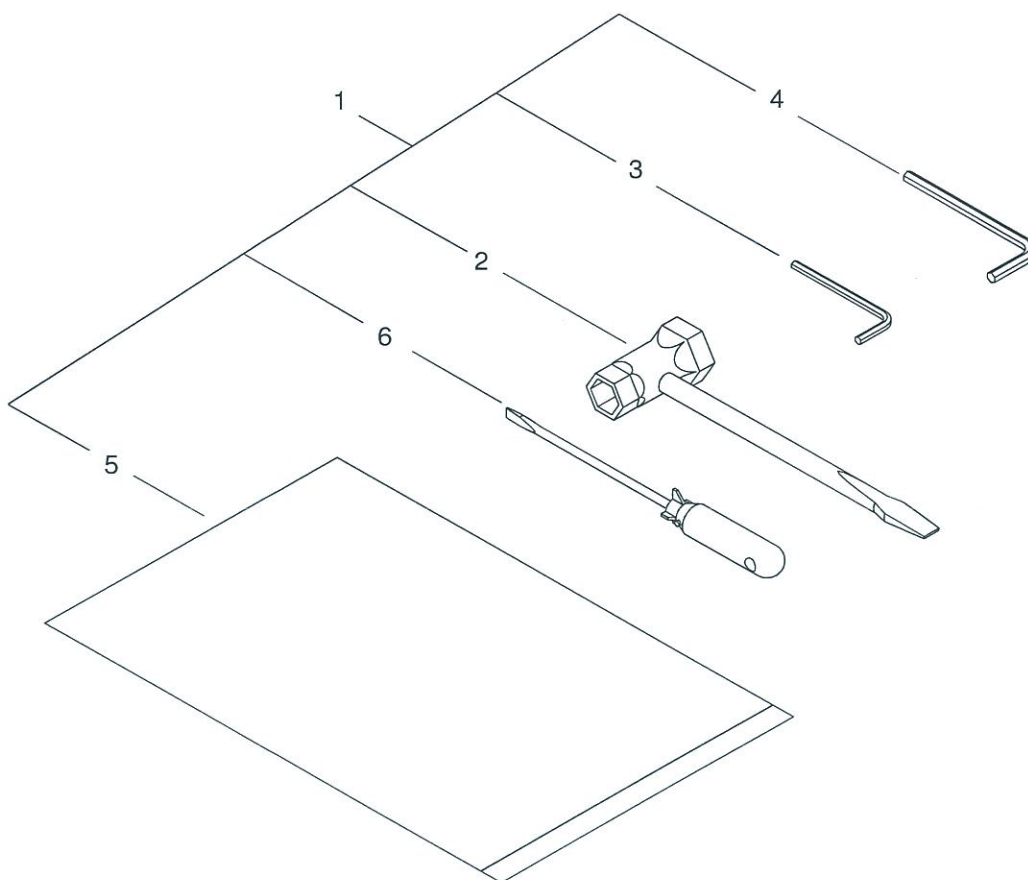
# 7 AIR CLEANER



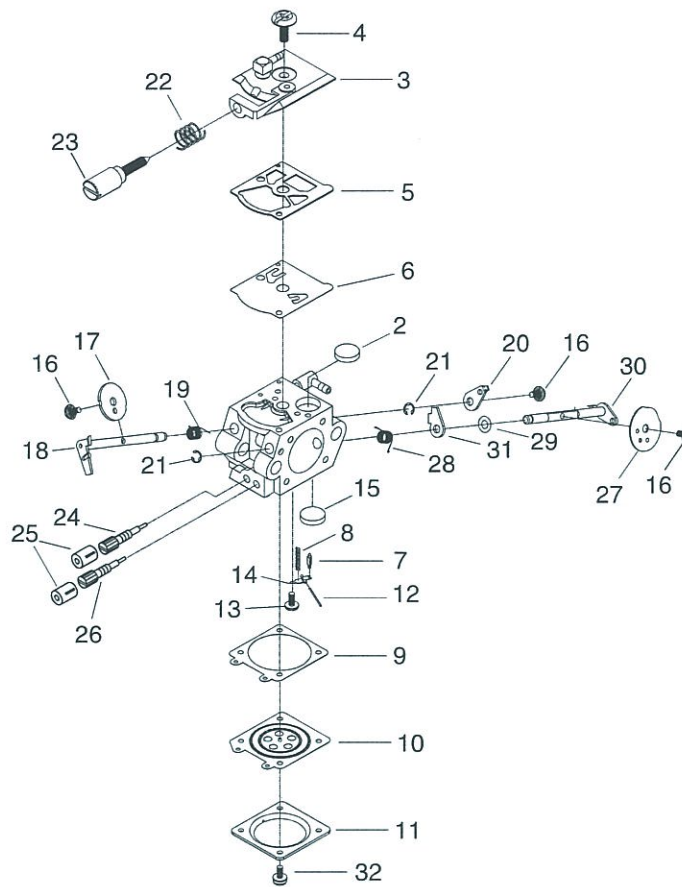
KEY	LV	PART NUMBER	Q'TY	DESCRIPTION	REMARKS
1		A021-003900	1	CARBURETOR,DIAPHRAGM	
33		V471-002800	1	PIPE	
34		A226-001090	1	AIR CLEANER ASSY	
35		A232-001520	1	LID,CLEANER	
36		A235-000270	1	KNOB,CLEANER LID	
37		A204-000220	1	ELBOW, CARBURETOR	
38		V581-000280	1	GASKET	
39		V202-000200	2	BOLT	
40		91100-05048	2	BOLT	
41		900600-00005	2	WASHER 5	
42		A240-000111	1	ROD, CHOKE	
43		V130-000131	1	GROMMET,CHOKE	
44		C454-000280	1	ROD,THROTTLE	
45		V133-000040	1	GROMMET	
46		X503-010700	1	LABEL,MODEL	

452S(70)

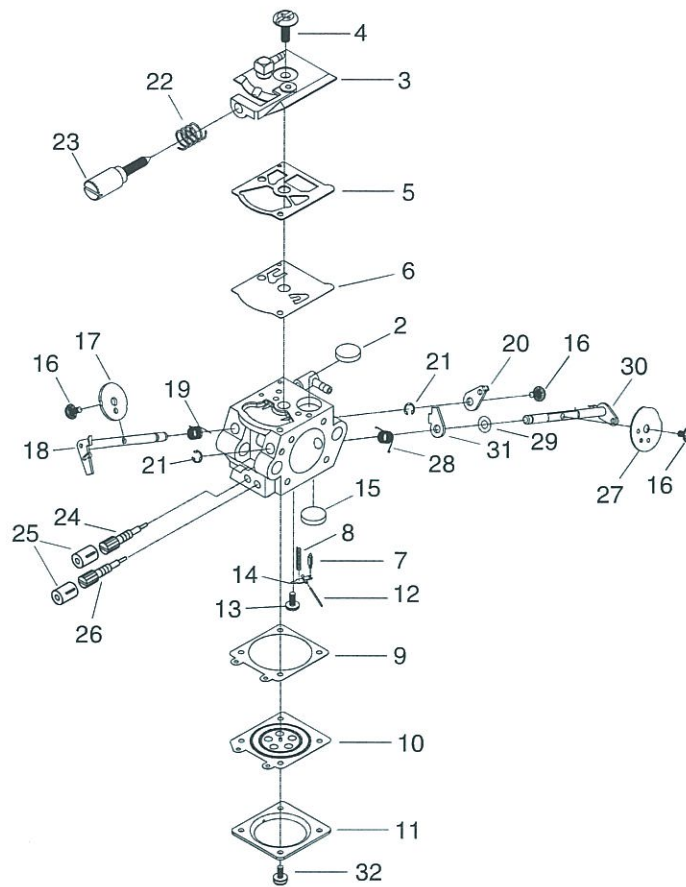
8 ACCESSORIES



KEY	LV	PART NUMBER	Q'TY	DESCRIPTION	REMARKS
1		P021-032581	1	TOOL SET	
2	+	X602-000150	1	PLUG WRENCH	
3	+	X605-000090	1	HEXA WRENCH 4MM	
4	+	X605-000100	1	TOOL,L WRENCH	
5	+	X705-000130	1	POLY BAG	
6	+	895812-03930	1	DRIVER, SCREW 50	



KEY	LV	PART NUMBER	Q'TY	DESCRIPTION	REMARKS
		A021-003900	1	CARBURETOR,DIAPHRAGM	
2	+	123126-10631	1	SCREEN, INLET	
3	+	P003-003360	1	COVER, PUMP	
4	+	123110-03930	1	SCREW, PUMP COVER	
5	+	123125-15030	1	GASKET, FUEL PUMP	
6	+	123112-15030	1	DIAPHRAGM, FUEL PUMP	
7	+	123137-19830	1	VALVE, INLET NEEDLE	
8	+	123122-03660	1	SPRING, METER. LEVER	
9	+	123140-03930	1	GASKET, M. DIAPHRAGM	
10	+	P003-001850	1	DIAPHRAGM, METERING	
11	+	123142-03930	1	COVER, M. DIAPHRAGM	
12	+	123138-03930	1	PIN, METERING LEVER	
13	+	123139-03930	1	SCREW, M. LEVER PIN	
14	+	123123-03930	1	LEVER, METERING	
15	+	123146-10631	1	PLUG, WELCH	
16	+	123114-38830	3	SCREW	
17	+	P003-003240	1	VALVE,THROTTLE	
18	+	P003-000480	1	SHAFT,THROTTLE	
19	+	123113-37530	1	SPRING, THROTTLE RTN	
20	+	P003-003470	1	CONTROL,THROTTLE	
21	+	123127-15030	2	RING	
22	+	123133-04260	1	SPRING, IDLE ADJUST	
23	+	P003-003650	1	IDEL SCREW	
24	+	P003-004820	1	NEEDLE	
25	+	P003-000010	2	LIMITER CAP	
26	+	123118-39231	1	NEEDLE, IDLE	



KEY	LV	PART NUMBER	Q'TY	DESCRIPTION	REMARKS
27	+	P003-000230	1	VALVE CHOKE	
28	+	P003-000140	1	SPRING	
29	+	123149-26030	1	WASHER	
30	+	P003-003190	1	SHAFT	
31	+	P003-000430	1	LEVER-FAST IDLE	
32	+	123130-02960	4	SCREW	



452S(70)

10 GUIDE BAR, CHAIN

GUIDE BAR		CHAIN	
1A	40RX58B-325SD	2A	21BPX-66E
1B	45RX58B-325SD	2B	21BPX-72E

KEY	LV	PART NUMBER	Q'TY	DESCRIPTION	REMARKS
1A		X124-000460	1	BAR,GUIDE 40	
2A		X244-000041	1	CHAIN,SAW 21BPX-66E	
1B		X125-000151	1	BAR,GUIDE 45	
2B		431717-30231	1	CHAIN, SAW	

Index

Patrs Number	Key No.	Patrs Number	Key No.	Patrs Number	Key No.
123110-03930	9 - 4	A021-003900	9 -	C328-000210	5 - 24
123112-15030	9 - 6	A030-000510	1 - 9	C328-000220	5 - 25
123113-37530	9 - 19	A033-000220	3 - 15	C334-000180	5 - 26
123114-38830	9 - 16	A051-002260	6 - 14	C334-000190	5 - 29
123118-39231	9 - 26	A056-000610	5 - 5	C334-000200	5 - 30
123122-03660	9 - 8	A101-000530	4 - 2	C345-000420	5 - 38
123123-03930	9 - 14	A130-001644	1 - 1	C347-000010	5 - 33
123125-15030	9 - 5	A160-002361	3 - 1	C403-000530	3 - 13
123126-10631	9 - 2	A172-001870	6 - 26	C411-000130	3 - 12
123127-15030	9 - 21	A200-000852	1 - 7	C450-000641	3 - 9
123130-02960	9 - 32	A202-000150	1 - 5	C454-000280	7 - 44
123133-04260	9 - 22	A204-000220	7 - 37	C460-000310	3 - 11
123137-19830	9 - 7	A219-000040	3 - 2	J211-000430	5 - 41
123138-03930	9 - 12	A226-001090	7 - 34	P003-000010	9 - 25
123139-03930	9 - 13	A232-001520	7 - 35	P003-000140	9 - 28
123140-03930	9 - 9	A235-000270	7 - 36	P003-000230	9 - 27
123142-03930	9 - 11	A240-000111	7 - 42	P003-000430	9 - 31
123146-10631	9 - 15	A313-001460	1 - 11	P003-000480	9 - 18
123149-26030	9 - 29	A313-001530	1 - 10	P003-001850	9 - 10
131205-19831	3 - 19	A356-000130	2 - 4	P003-003190	9 - 30
131300-56431	3 - 24	A409-000901	6 - 1	P003-003240	9 - 17
159010-10230	6 - 12	A426-000040	6 - 10	P003-003360	9 - 3
175114-12530	5 - 2	A427-000060	6 - 11	P003-003470	9 - 20
431717-30231	10 - 2B	A440-001920	2 - 28	P003-003650	9 - 23
437239-14730	2 - 9	A500-001310	6 - 15	P003-004820	9 - 24
890316-39130	5 - 54	A504-000220	6 - 20	P021-023110	5 - 43
890345-39230	3 - 32	A506-000390	6 - 17	P021-026681	4 - 6
895812-03930	8 - 6	A507-000080	6 - 18	P021-026922	5 - 51
900105-05012	5 - 18	A509-000380	6 - 22	P021-026933	5 - 34
900105-05018	1 - 3	A510-000130	6 - 16	P021-029870	4 - 1
900105-05018	2 - 14	A511-000230	6 - 23	P021-032581	8 - 1
900212-04008	2 - 24	A514-000220	6 - 2	P021-036741	6 - 31
900253-04008	5 - 21	A552-000230	5 - 7	P021-037400	2 - 20
900330-30120	5 - 31	A552-000240	5 - 9	P021-038782	2 - 1
900330-40080	2 - 10	A555-000210	5 - 6	P021-040400	3 - 6
900330-40080	5 - 35	A556-001121	5 - 1	V100-000540	1 - 2
900600-00005	2 - 17	C020-000040	2 - 18	V102-000161	2 - 12
900600-00005	7 - 41	C022-000121	5 - 44	V104-001581	1 - 13
900603-00004	2 - 23	C040-000570	3 - 4	V107-000070	3 - 16
900720-20007	6 - 35	C209-000070	5 - 46	V107-000090	2 - 19
91100-05048	7 - 40	C211-000010	5 - 48	V130-000131	7 - 43
91381-04010	5 - 27	C236-000060	5 - 49	V131-000190	6 - 28
91449-04022	3 - 14	C300-000681	5 - 19	V133-000040	7 - 45
91578-04006	1 - 12	C302-000030	5 - 22	V141-000100	2 - 31
93042-40100	5 - 28	C304-000130	5 - 17	V152-002430	5 - 13
93042-40220	3 - 8	C305-000260	5 - 20	V202-000200	1 - 8
93060-40250	3 - 7	C305-000411	5 - 15	V202-000200	3 - 3
93115-03010	6 - 6	C309-000110	5 - 12	V202-000200	6 - 27
A021-003900	7 - 1	C310-000110	2 - 15	V202-000200	7 - 39

**Index**

<b>Patrs Number</b>	<b>Key No.</b>	<b>Patrs Number</b>	<b>Key No.</b>	<b>Patrs Number</b>	<b>Key No.</b>
V202-000260	3 - 27	V508-000060	2 - 7		
V202-000520	5 - 39	V555-000140	4 - 5		
V202-000520	5 - 50	V555-000150	5 - 10		
V202-000540	6 - 13	V580-000110	4 - 4		
V203-000370	2 - 16	V581-000280	7 - 38		
V203-001410	5 - 42	V592-000290	2 - 6		
V203-001450	2 - 13	V592-000330	2 - 2		
V203-001470	5 - 36	V608-000050	4 - 3		
V203-001480	3 - 30	V629-000000	2 - 11		
V203-001490	3 - 5	V651-000790	5 - 14		
V203-001540	1 - 14	X124-000460	10 - 1A		
V204-000620	6 - 5	X125-000151	10 - 1B		
V225-000150	2 - 8	X244-000041	10 - 2A		
V252-000470	5 - 16	X490-000300	5 - 52		
V253-000610	5 - 11	X503-010700	7 - 46		
V253-000640	6 - 21	X504-004190	5 - 53		
V265-000200	5 - 23	X504-006450	6 - 29		
V265-000211	5 - 4	X505-001340	3 - 33		
V265-000220	6 - 7	X505-007100	5 - 55		
V266-000090	2 - 30	X602-000150	8 - 2		
V303-000320	5 - 40	X605-000090	8 - 3		
V304-000270	6 - 4	X605-000100	8 - 4		
V307-000451	5 - 3	X705-000130	8 - 5		
V353-000460	2 - 32				
V355-000460	2 - 25				
V359-000200	1 - 6				
V376-001400	6 - 25				
V401-000330	3 - 26				
V401-000340	3 - 28				
V420-002770	2 - 26				
V420-002780	2 - 27				
V420-002810	3 - 25				
V421-000070	3 - 29				
V450-001160	5 - 37				
V450-001170	6 - 24				
V451-000920	1 - 4				
V451-000930	5 - 8				
V452-000850	3 - 10				
V452-000860	5 - 32				
V452-000870	6 - 3				
V452-000880	6 - 19				
V470-001520	3 - 18				
V470-001530	3 - 23				
V470-001840	5 - 45				
V471-002800	7 - 33				
V475-005180	6 - 9				
V490-000500	3 - 22				
V490-000500	5 - 47				
V505-000140	2 - 3				

# YAMABIKO CORPORATION

7-2 SUEHIROCHO 1-CHOME, OHME, TOKYO 198-8760, JAPAN  
PHONE: 81-428-32-6118. FAX: 81-428-32-6145.

**shindaiwa<sup>®</sup>**



12Gb  
No. 04-431