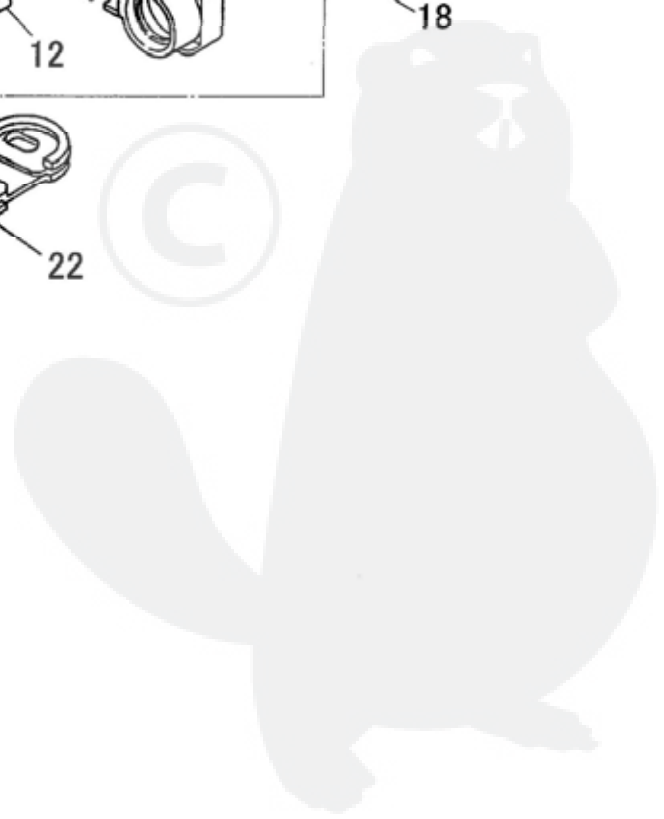
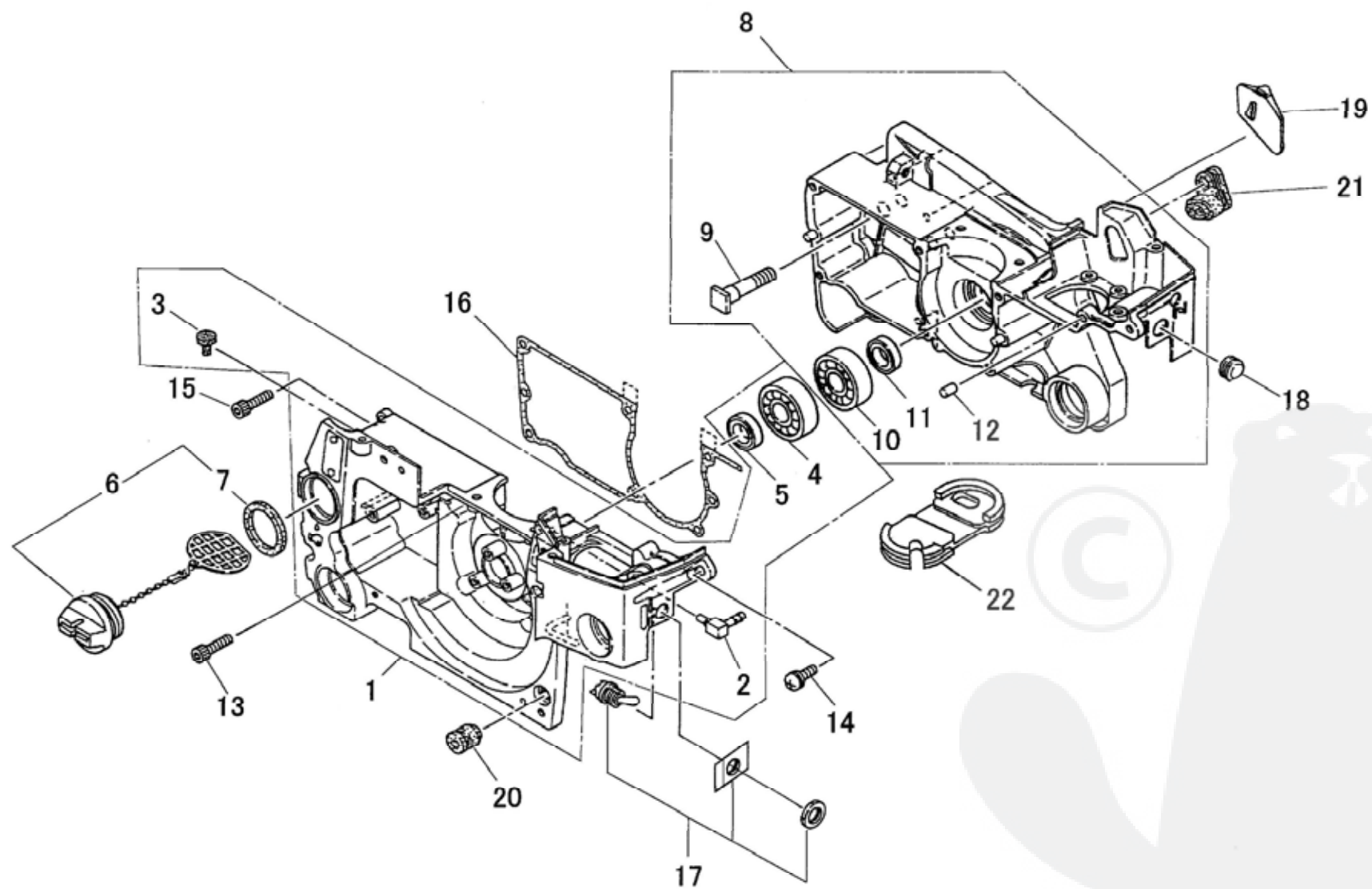


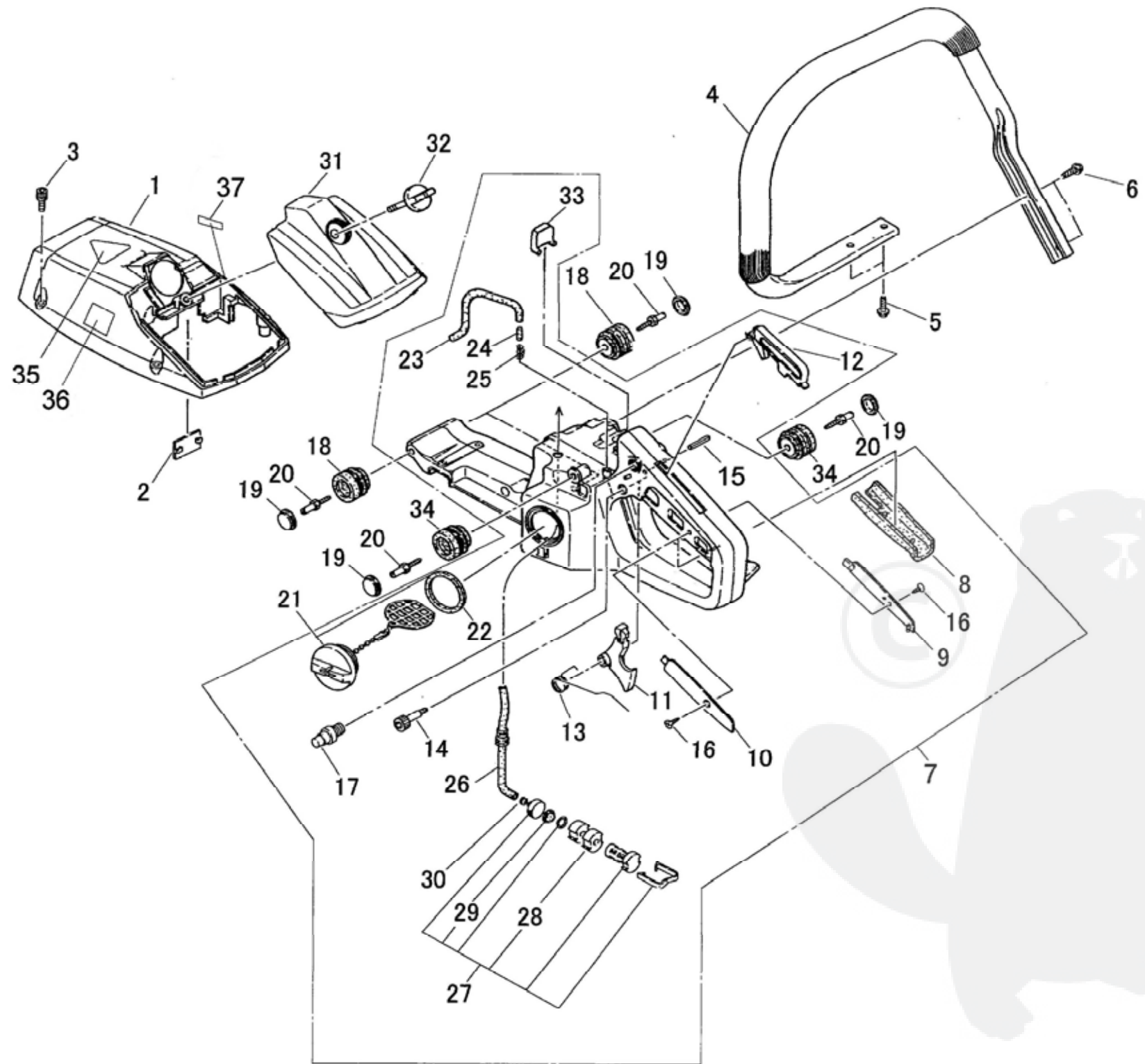
Ref. No	Part No.	Part Name	Q`ty	Remarks,Serial No.
1- 1	22157-12110	CYLINDER	1	
2	22160-12121	GASKETCYLINDER	1	
3	22157-12130	BOLT	4	
4	22160-22220	PLUGSWITCH	1	
5	22160-12150	BOOT	1	
6	22160-12160	SPRING	1	
7	22160-12170	SEAL	1	
8	22115-14140	SLEEVE	1	
9	72312-15100	MUFFLERSUBASSY	1	
10	72312-15220	*SILENCER	1	
11	22160-15210	*TAILPLATE	1	
12	11203-04060	*SCREWPM	2	
13	22160-15311	GASKETMUFFLER	1	
14	22157-12130	BOLT	2	
15	22157-15330	BOLT	2	



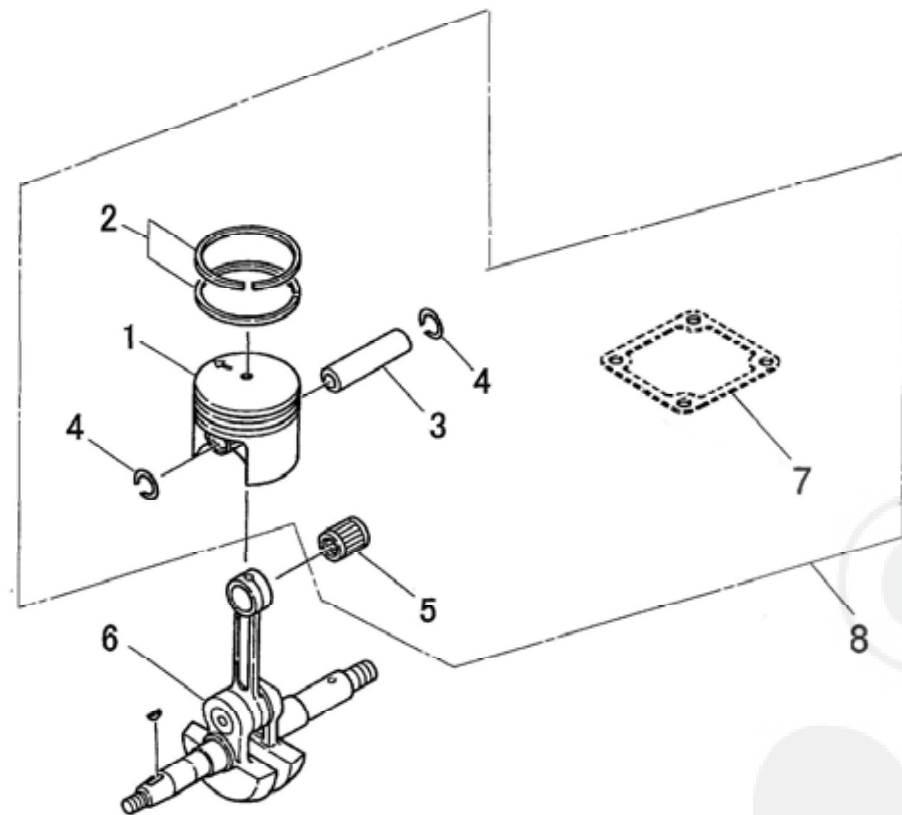


2- 1	22160-21202	CRANKCASEMCOMP	1	
2	22150-21220	*PULSEJOINT	1	
3	22115-57120	*VALVEOILTANK	1	
4	12900-62010	*BEARING	1	
5	22150-21250	*OILSEAL	1	
6	22160-21302	OILCAPASSY	1	
7	22160-21351	*GASKETCAP	1	
8	22160-21502	CRANKCASECCOMP	1	
9	72312-21520	*BOLTBAR	2	
10	12900-62010	*BEARING	1	
11	22150-21250	*OILSEAL	1	
12	12492-50100	*DOWELPIN	3	
13	22157-21750	BOLT	4	
14	22157-21760	SCREWPM	1	
15	22157-12130	BOLT	2	
16	22160-21720	GASKETCASE	1	
17	72365-21310	SWITCHASSY	1	
18	22160-22220	PLUGSWITCH	1	
19	22160-22250	STOPPERH	1	
20	22160-33730	SUPPORTER	1	
21	69026-21310	GROMMET	1	
22	72312-22260	GROMMETA	1	



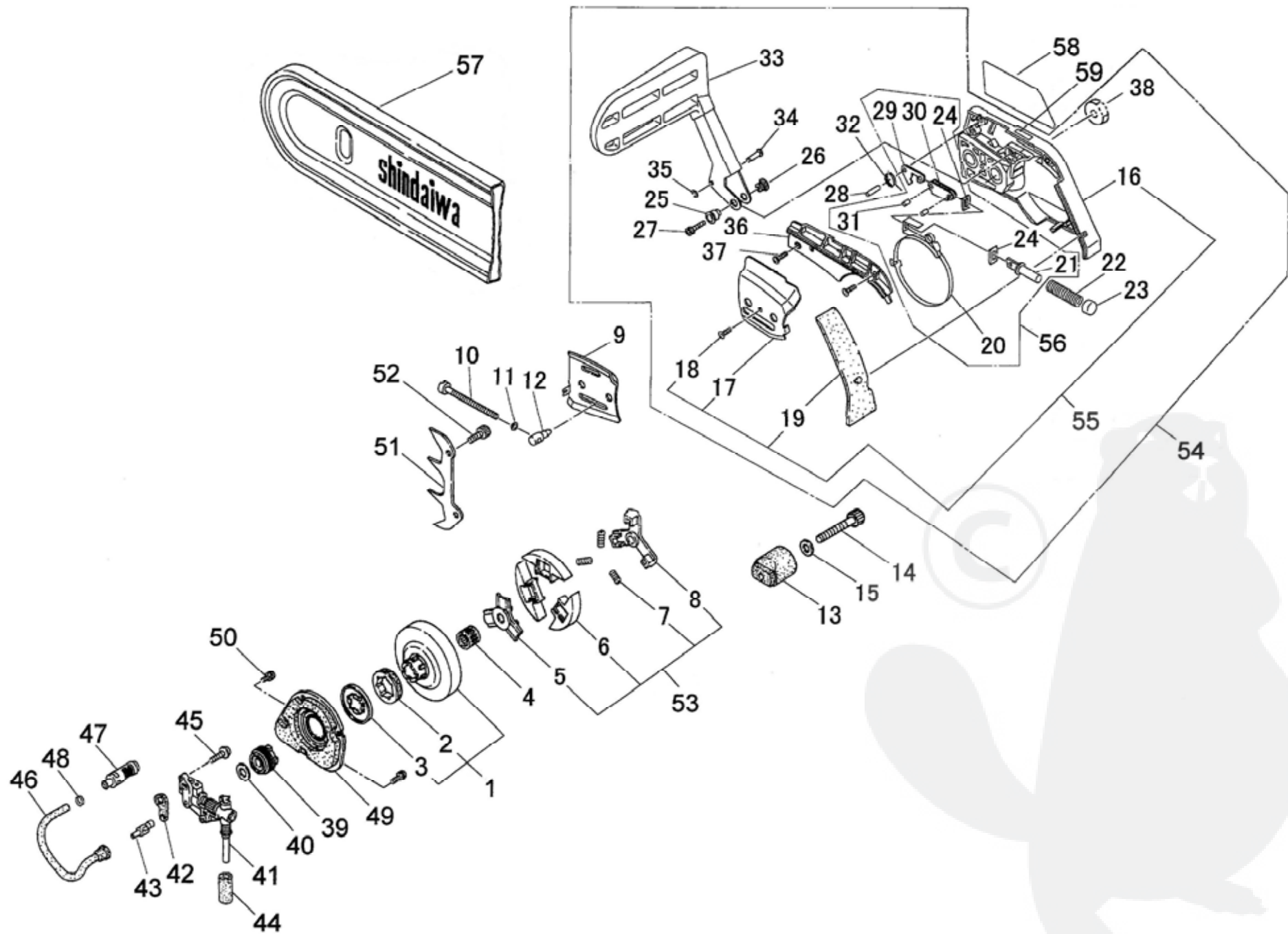


3- 1	22160-31110	CYLINDERCOVER	1	
2	22160-31120	PLUG	1	
3	22160-31150	BOLTSW	3	
4	72311-32110	FRONTHANDLE	1	
5	22160-32210	SCREWPC	2	
6	22160-32220	SCREWPC	2	
7	22160-33104	REARHANDLESUBASSY	1	
8	22160-33310	*GRIP	1	
9	22160-33320	*PLATER	1	
10	22160-33330	*PLATEL	1	
11	39309-32240	*THROTTLELEVER	1	
12	22160-33360	*LOCKLEVER	1	
13	22160-33370	*SPRINGLEVER	1	
14	22160-33380	*BOLTLEVER	1	
15	12420-40255	*SPRINGPIN	1	
16	11202-40120	*SCREWHILO	1	
17	22160-33401	*STOPPERASSY	1	
21	22160-33801	*CAPASSY	1	
22	22160-33821	**GASKET	1	
23	22160-33910	*PIPEBREATHER	1	
24	22157-33950	*ELEMENT	1	
25	22160-33920	*SPRING	1	
26	22160-34110	*FUELPIPE	1	
27	22115-85401	*FUELFILTERSUBASSY	1	
28	22128-85421	**FILTER	2	
29	22118-85460	**SCREEN	2	
30	20020-85540	CLIP	1	
33	22160-33590	STOPPERR	1	
18	22160-33710	CUSHION27	3	
19	22160-33720	PLUG27	5	
20	22160-33770	STOPPERBOLT	5	
31	22157-82510	CLEANERCOVER	1	
32	22155-82520	KNOBCLEANERCOVER	1	
34	22160-97810	CUSHION27	2	
35	19402-00083	LABELCAUTION	1	
36	19404-00036	LABELDECIBEL	1	
37	19401-00094	LABELINST	1	



4- 8	72365-98011	PISTONSET	1	
1	22157-41112	*PISTON	1	
2	22157-41210	*PISTONRING	2	
3	22157-41220	*PISTONPIN	1	
4	22100-41230	*SNAPRING	2	
5	22160-41240	*BEARINGSE	1	
7	22160-12121	*GASKETCYLINDER	1	
6	22160-42002	CRANKSHAFT	1	

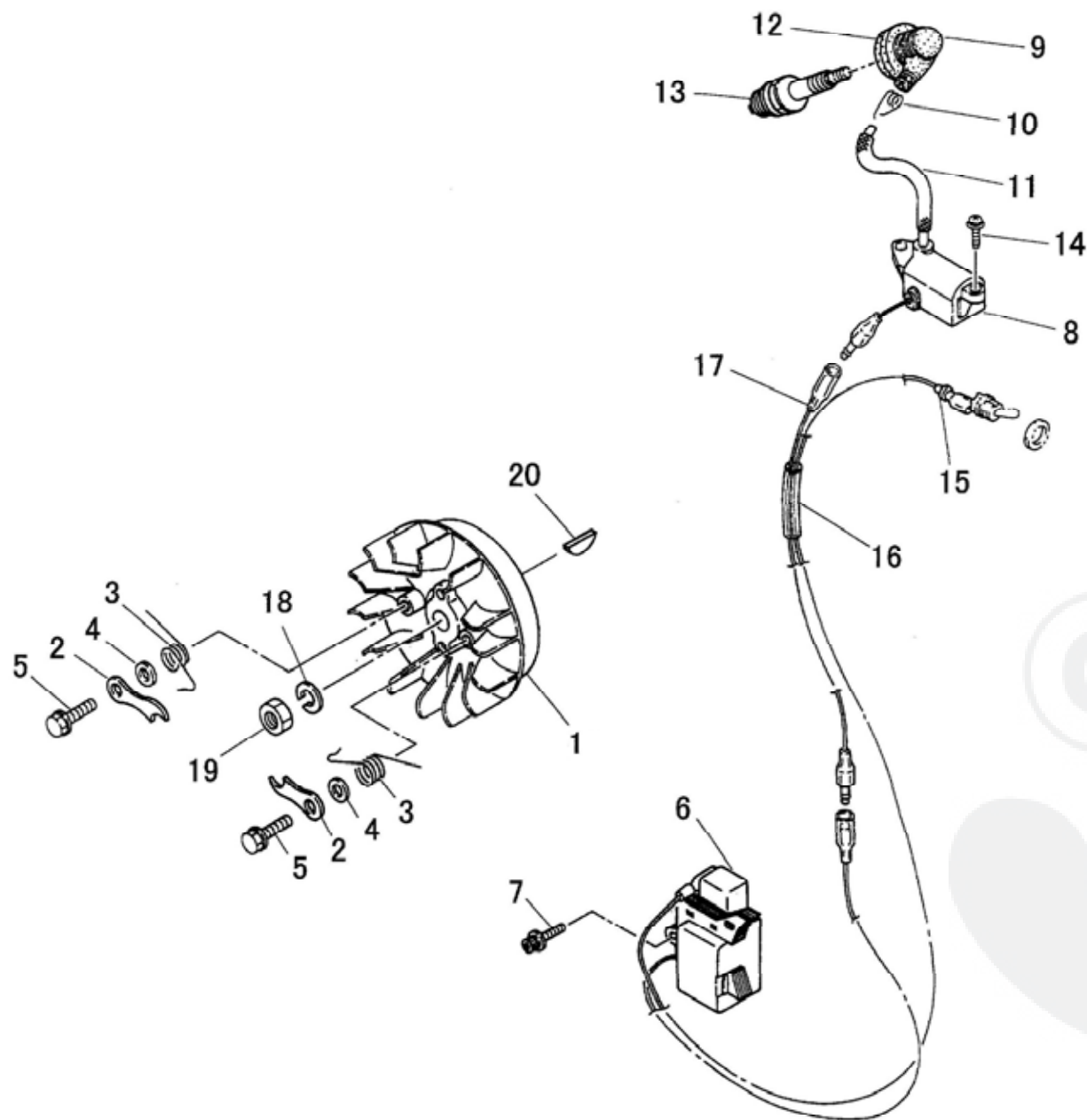




5- 1	22160-51501	CLUTCHDRUMASSY	1
2	22131-98120	*RIM	1
3	22160-51530	*COVER	1
4	22100-51310	NEEDLEBEARING	1
53	72346-51202	CLUTCHASSY	1
5	22160-51210	*CLUTCHBOSSA	1
6	72346-51220	*CLUTCHSHOE	3
7	72346-51311	*CLUTCHSPRING	3
8	22160-51240	*CLUTCHBOSSB	1
9	72316-54150	GUIDEPLATEC	1
10	72316-53310	SLIDESCREW	1
11	72316-53320	SNAPRING	1
12	22150-52440	SLIDEPIECE	1
13	22160-52511	CHAINCATCHER	1
14	22155-12190	BOLT	1
15	01611-05100	WASHER	1
54	69026-53010	CLUTCHCOVERSUBASSY	1
55	72346-54191	*CLUTCHCOVERSUBASS	1
16	72346-54112	**CLUTCHCOVER	1
17	72316-54160	**GUIDEPLATED	1
18	01270-04082	**SCREWTAPPING	1
19	72316-54170	**PROTECTOR	1
56	39020-53320	*BRAKEBANDCOMP	1
20	72345-54210	**BRAKEBAND	1
21	72316-54220	**HOLDERSPRING	1
24	72316-54310	**ADJUSTPLATE	2
29	22173-54561	**INNERLEVER	1
30	72316-54570	**TIESTRAP	1
31	12492-40080	**ROLLER	2
22	17500-14002	*COILSPRING	1
23	72316-54240	*STOPPER	1
25	72316-54520	*HOLDER	1
26	72316-54530	*NUTLEVER	1
27	01020-04120	*BOLT	1
28	12492-40140	*ROLLER	1
32	72316-54580	*SPRINGLEVER	1
33	72316-54511	*LEVER	1
34	72316-54540	*PINLEVER	1
35	02434-30060	*SNAPRING	1
36	72345-54611	*COVER	1
37	01270-04122	*SCREWTAPPING	2
38	22154-52410	NUT	2
39	22154-55110	GEAR	1
40	22154-55120	THRUSTPLATE	1
41	22160-55200	OILPUMPASSY	1
42	22150-55411	GASKETPUMP	1
43	22160-55420	ELBOW	1
44	22155-55430	FILTER	1

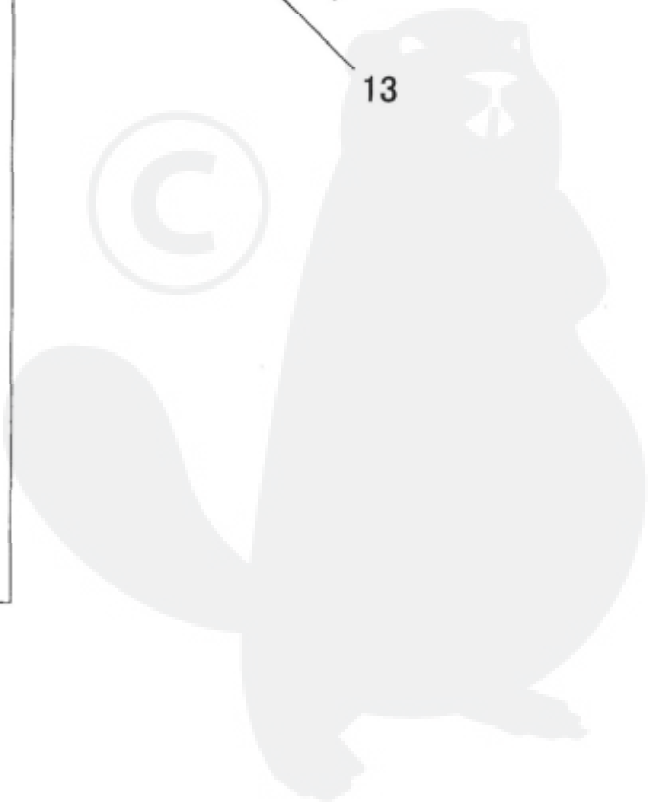
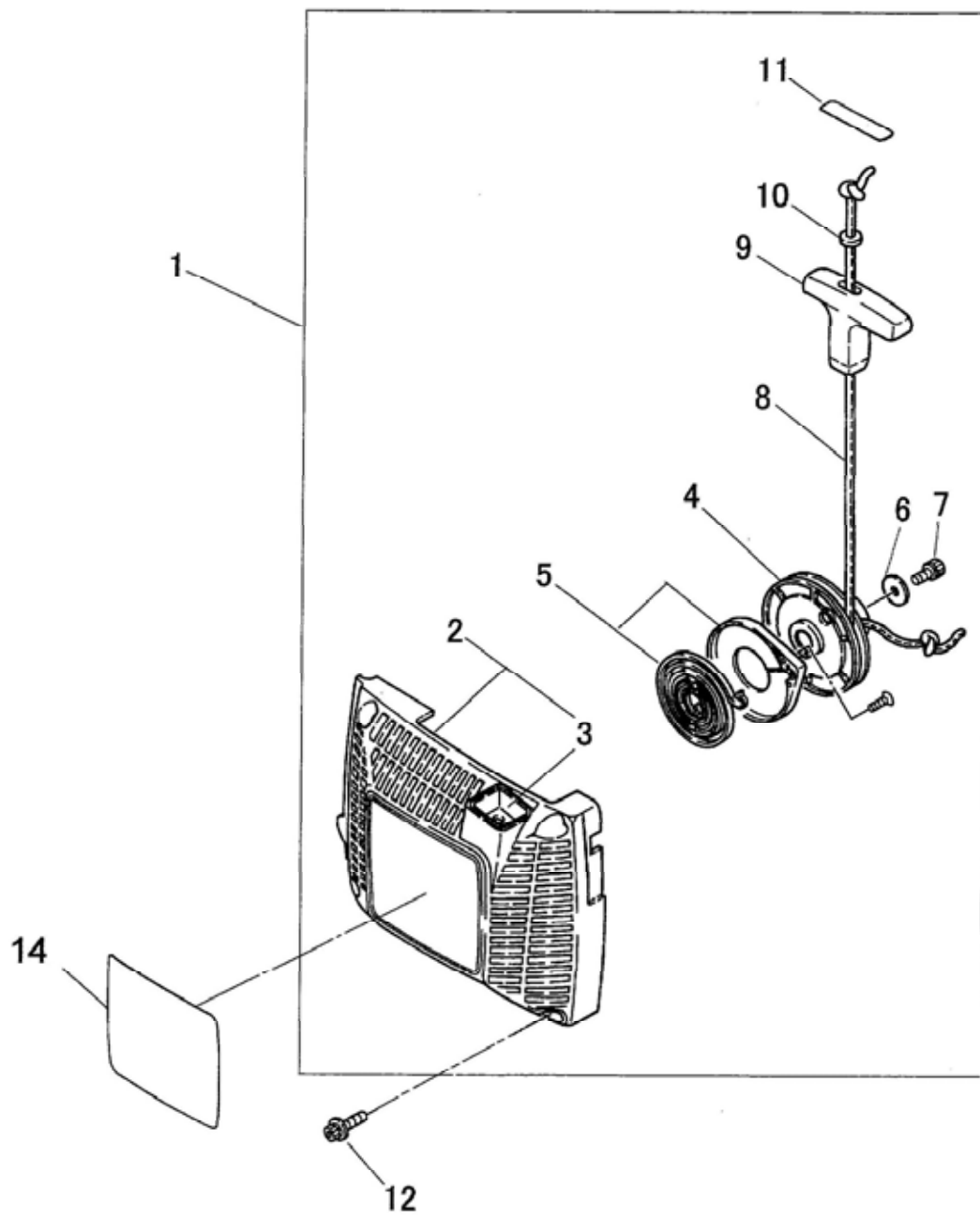
45	11205-04160	SCREWPM	2	
46	22160-55310	OILPIPE	1	
47	22169-57360	OILFILTER	1	
48	22100-57370	CRIPOILFILTER	1	
49	22160-56100	PUMPCOVERSUBASSY	1	
50	22160-56150	SCREWPM SW	4	
51	22160-52530	SPIKE	1	
52	22157-15330	BOLT	2	
57	19600-69900	CHAINCOVER	1	
58	69026-91330	LABELTRADE	1	
59	19401-00093	LABELINST	1	





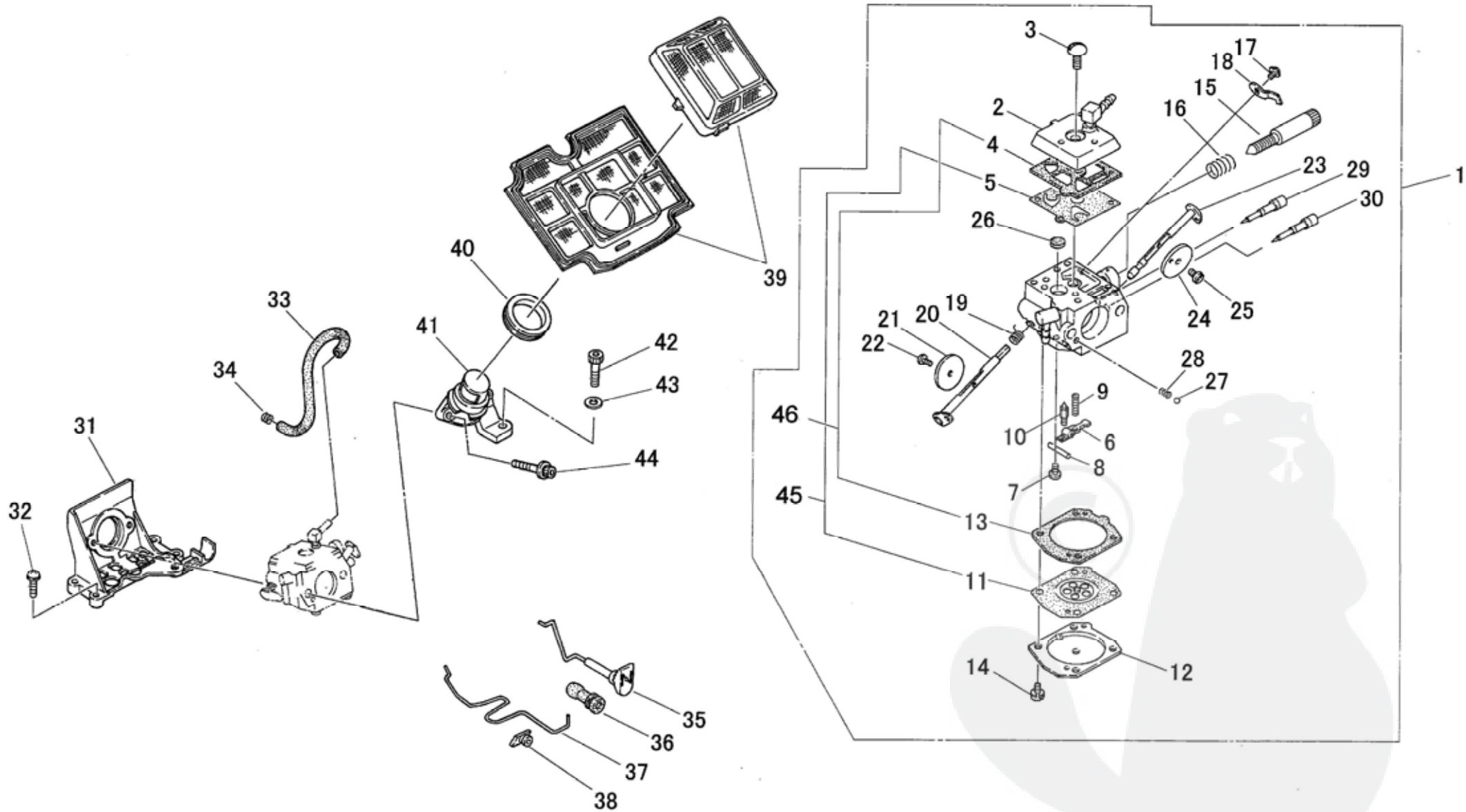
6-1	22160-71110	ROTOR	1	
2	22100-71410	RATCHET	2	
3	22100-71420	SPRINGRATCHET	2	
4	22100-71430	WASHER	2	
5	22140-71440	BOLT	2	
6	22160-71511	EXCITECOIL	1	
7	11024-04200	BOLTSW	2	
8	22160-71702	IGNITIONCOIL	1	
9	22160-72220	PLUGCAP	1	
10	22154-72230	SPRINGPLUG	1	
11	22160-72240	TUBE	1	
12	22160-72260	SEALCAP	1	
13	13000-13507	SPARKPLUGBPMR7A	1	
14	11205-04160	SCREWPM	2	
15	22160-71520	CORD	1	
16	22160-71530	TUBE	1	
17	22160-71750	CORD	1	
18	01600-08201	SPRINGWASHER	1	
19	22100-43231	NUT	1	
20	02403-03100	KEY	1	



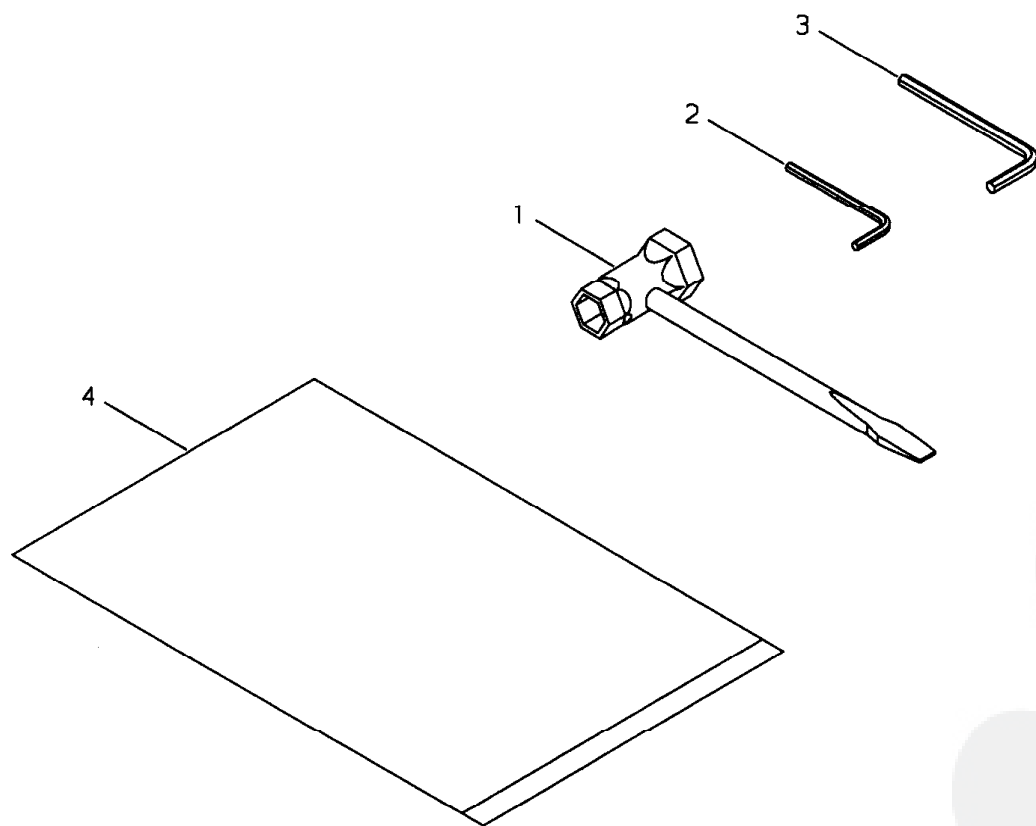


7- 1	22160-75100	RECOILSTARTERSUBASS	1	
2	22160-75210	*RECOILCASE	1	
3	22160-75220	**ROPEGUIDE	1	
4	22160-75310	*REEL	1	
5	22160-75410	*RECOILSPRING	1	
6	22160-75450	*WASHER	1	
7	01020-05120	*BOLT	1	
8	22160-75510	*ROPE	1	
9	22150-75520	*KNOBRECOIL	1	
10	22150-75530	*STOPPERKNOB	1	
11	20010-75230	*TAPE	1	
12	11060-04163	BOLTADHESIVE	4	
13	22160-75612	AIRPLATE	1	
14	69026-91320	LABELTRADE	1	





8- 1	69026-81010	CARBURETORASSY	1	
2	72365-81120	*PUMPCOVERASSY	1	
3	22100-81130	*SCREW	1	
46	22150-81930	*GASKETKIT	1	
4	22150-81140	**GASKETPUMP	1	
13	22150-81290	**GASKETDIAPHRAGM	1	
45	22150-81940	*DIAPHRAGMKIT	1	
5	22150-81150	**DIAPHRAGMPUMP	1	
11	22150-81260	**DIAPHRAGMASSY	1	
6	22160-81230	*LEVER	1	
7	22100-81240	*SCREW	1	
8	22100-81250	*PIN	1	
9	72342-81270	*SPRINGLEVER	1	
10	20036-81440	*NEEDLEVALVE	1	
12	22150-81280	*COVERDAIPHRAGM	1	
14	22100-81351	*SCREW	4	
15	22156-81410	*IDLESCREW	1	
16	22156-81420	*SPRINGIDLE	1	
17	20803-81150	*SCREWASSY	1	
18	22160-81390	*STOPPER	1	
19	22150-81430	*RETURNSPRING	1	
20	22160-81371	*SHAFTASSY	1	
21	22100-81340	*THROTTLEVALVE	1	
22	20803-81140	*SCREWASSY	1	
23	22160-81740	*SHAFTASSY	1	
24	22160-81710	*CHOKEVALVE	1	
25	20803-81150	*SCREWASSY	1	
26	70030-81380	*SCREEN	1	
27	22150-81720	*BALL	1	
28	22150-81730	*SPRING	1	
29	69026-81320	*NEEDLE	1	
30	69026-81330	*NEEDLE	1	
31	22160-82111	MOUNT	1	
32	11024-04160	BOLTSLPW	4	
33	22160-82210	PULSEPIPE	1	
34	22150-82140	CLIPPULSE	1	
35	22160-82311	CHOKEROD	1	
36	22160-82321	GROMMETCHOKE	1	
37	22160-82353	THROTTLE ROD	1	
38	22160-82360	GROMMETROD	1	
39	22173-82401	AIRCLEANERCOMP	1	
40	22157-82431	GROMMETCLEANER	1	
41	22157-82451	ELBOWCARBURETOR	1	
42	22157-12130	BOLT	1	
43	01613-05080	WASHER	1	
44	11022-05500	BOLTSPW	2	



9- 1	22000-91181	PLUGWRENCH	1	
2	09026-03001	HEXAWRENCH4MM	1	
3	09026-04001	HEXAWRENCH5MM	1	
4	19639-01100	POLYBAG	1	

