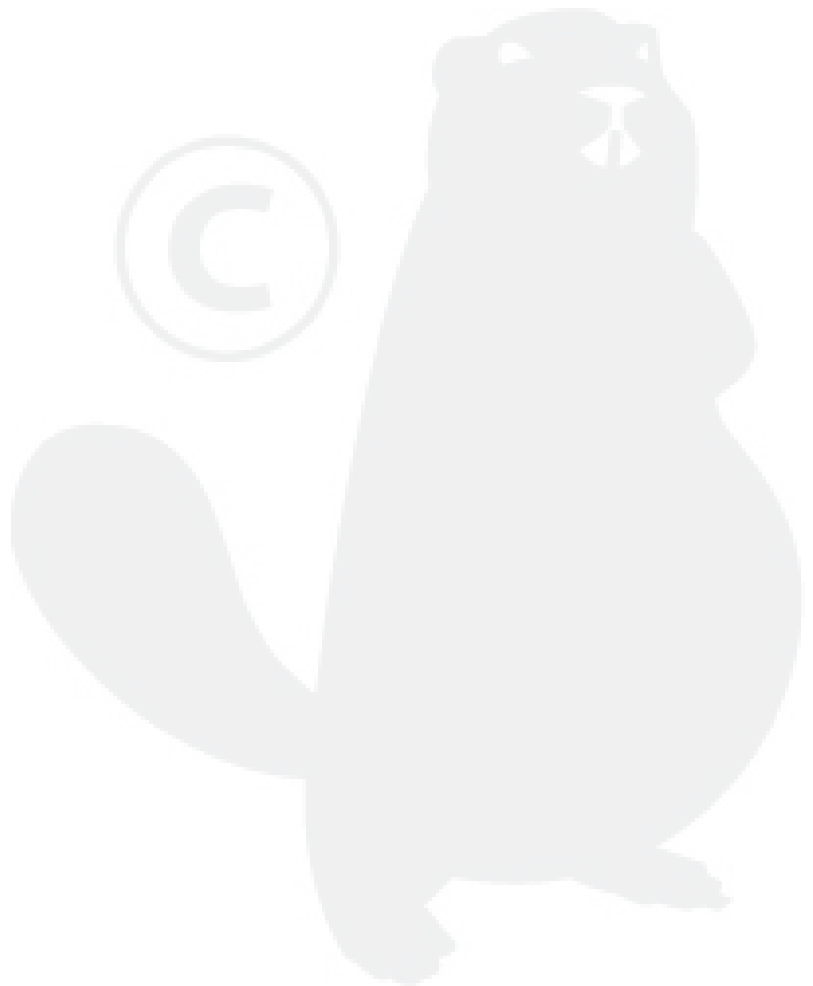
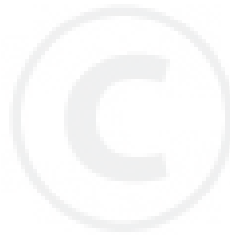
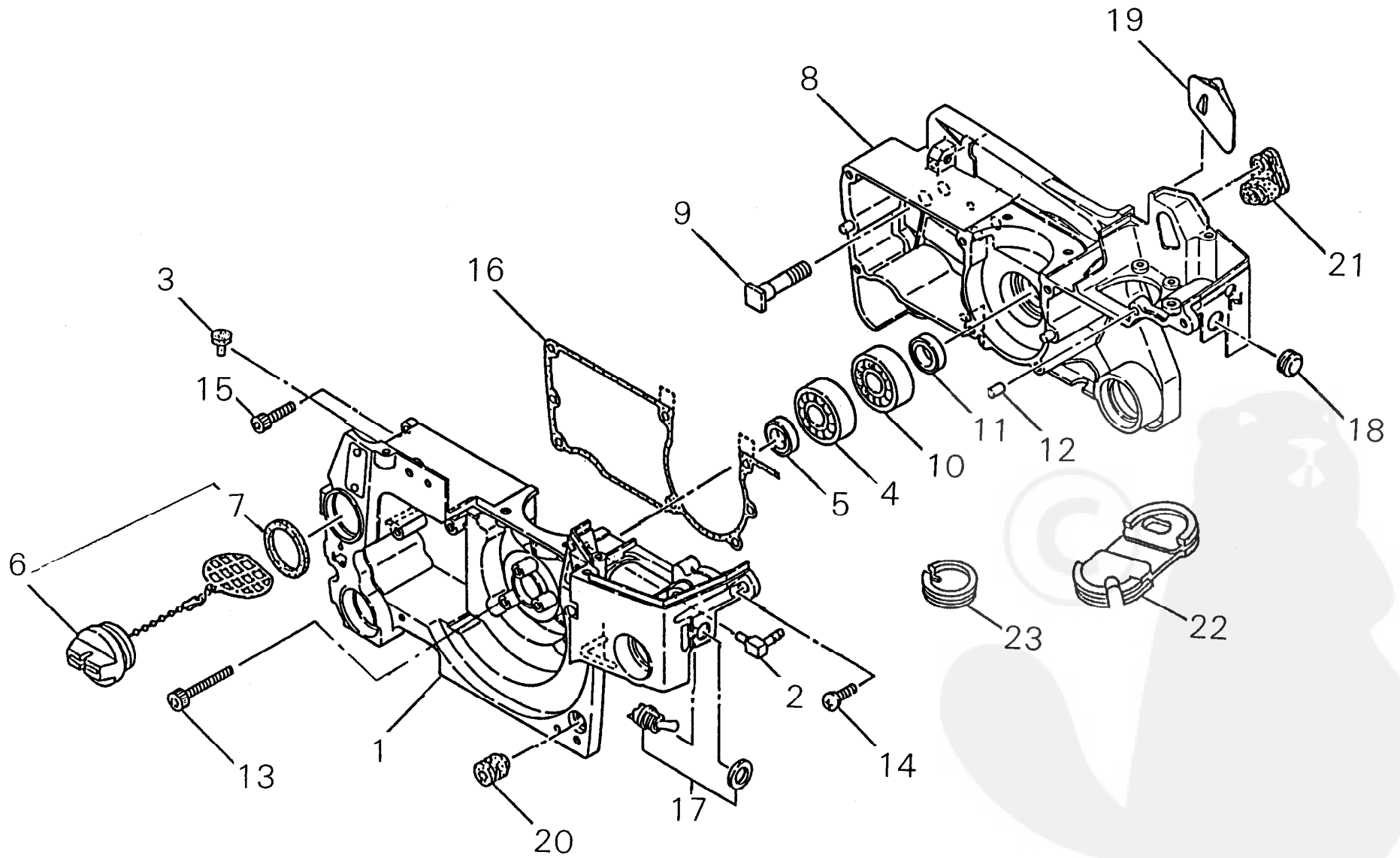


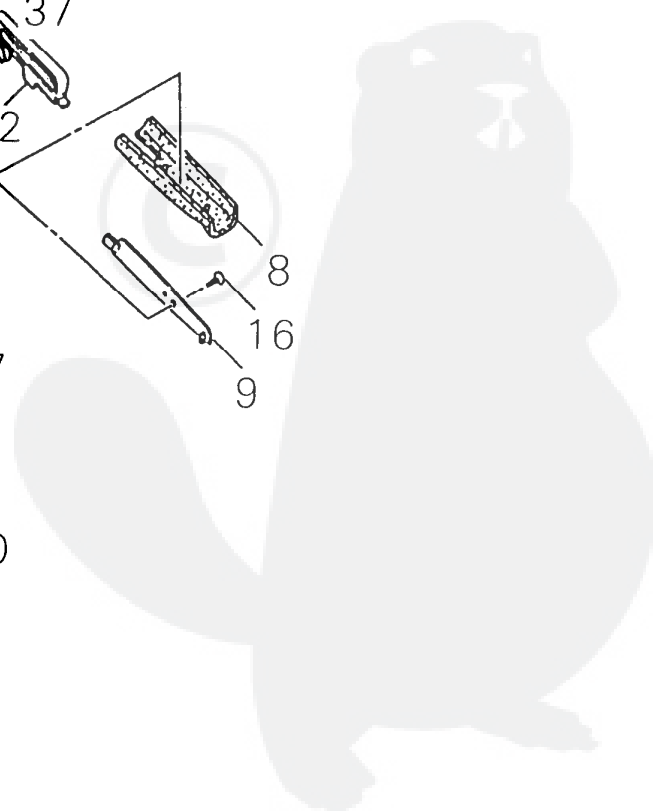
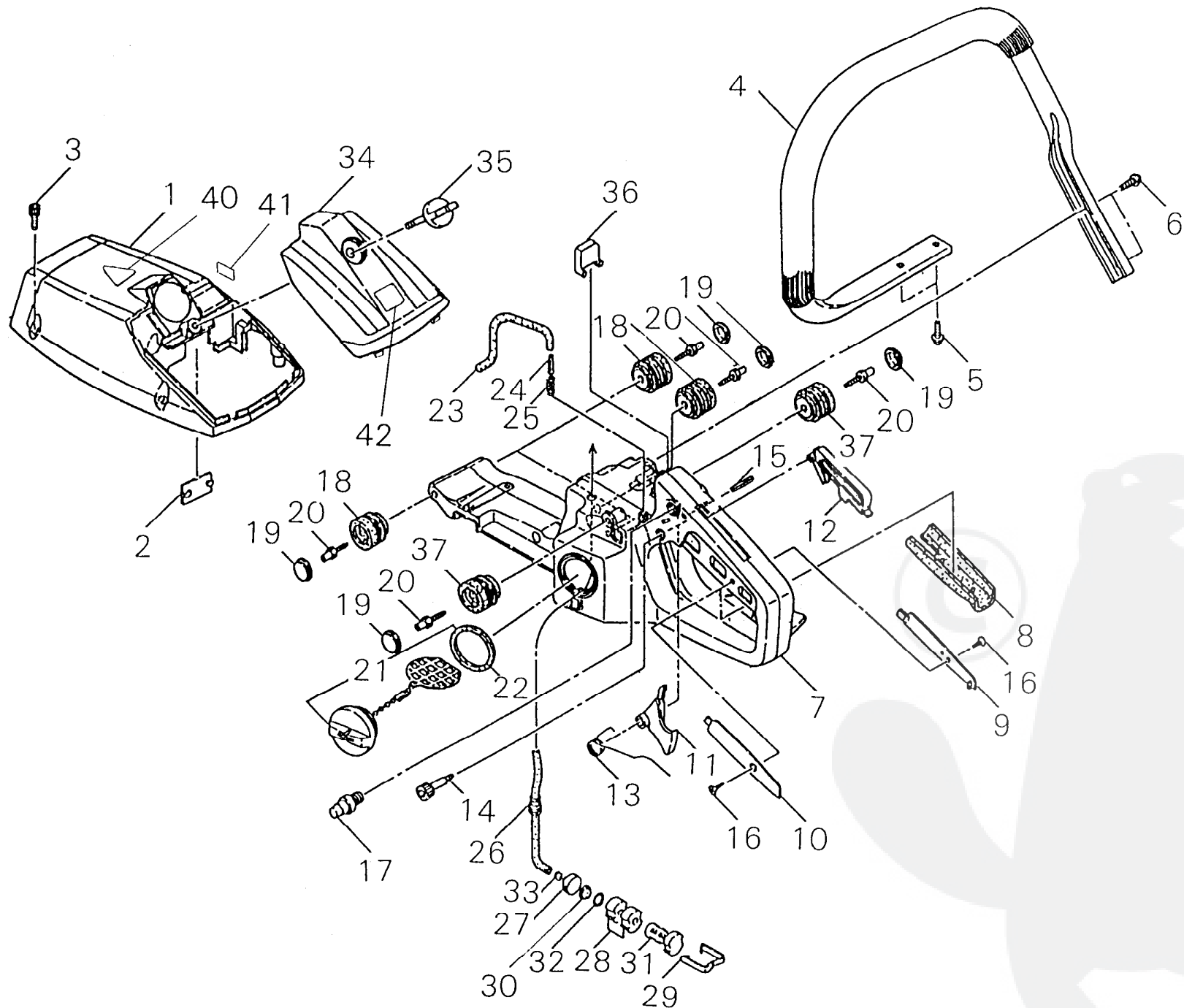
Ref. No	Part No.	Part Name	Q`ty
1- 1	22157-12110	CYLINDER	1
2	22160-12120	GASKETCYLINDER	1
3	22157-12130	BOLT	4
4	22160-22220	PLUGSWITCH	1
5	22160-12150	BOOT	1
6	22160-12160	SPRING	1
7	22160-12170	SEAL	1
8	22115-14140	SLEEVE	1
9	72312-15100	MUFFLERSUBASSY	1
10	22160-15210	*TAILPLATE	1
11	11204-04080	*SCREWPMSW	2
15	72312-15220	*SILENCER	1
12	22160-15310	GASKETMUFFLER	1
13	22157-12130	BOLT	2
14	22157-15330	BOLT	2



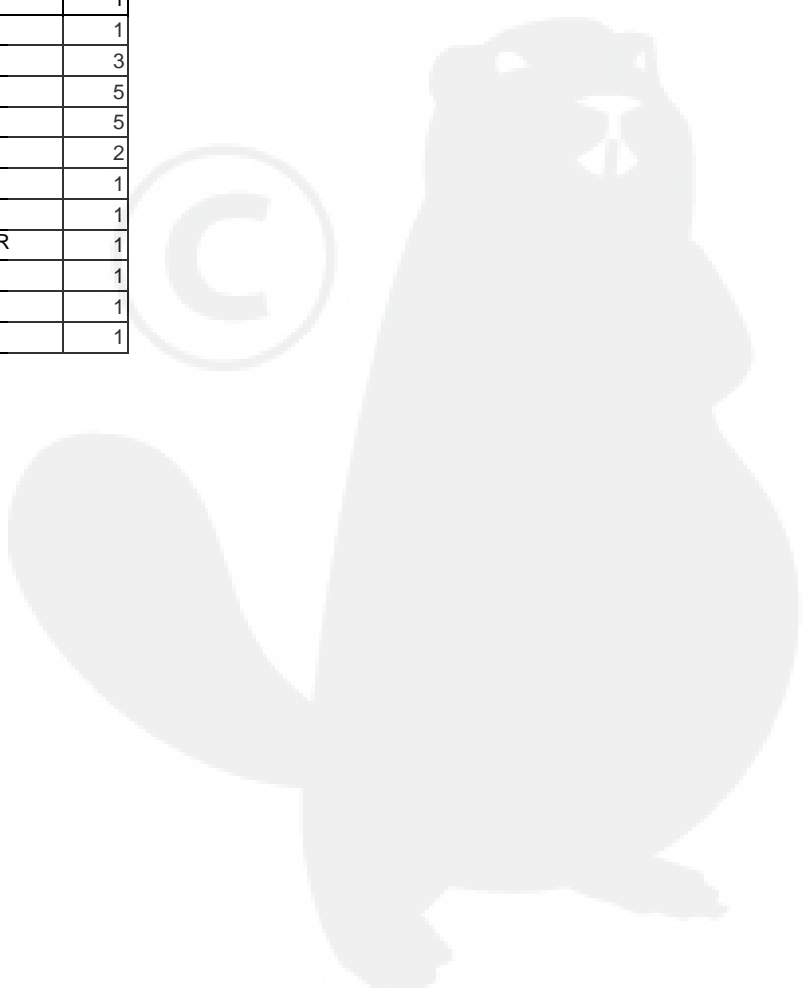


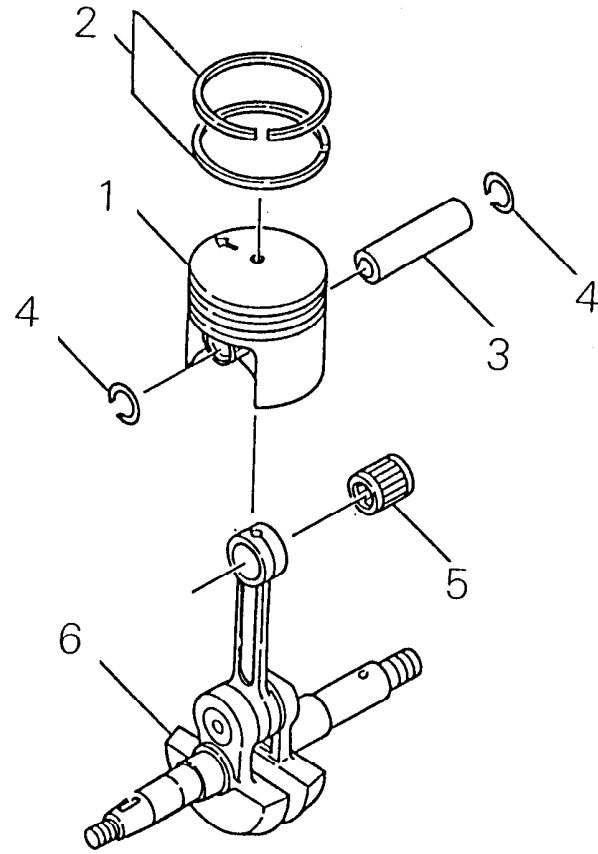
2-	22157-21201	CRANKCASEMCOMP	1
1	22157-21210	*CRANKCASEM	1
2	22150-21220	*PULSEJOINT	1
3	22115-57120	*VALVEOILTANK	1
4	12900-62010	*BEARING	1
5	22150-21250	*OILSEAL	1
6	22160-21302	OILCAPASSY	1
7	22160-21351	*GASKETCAP	1
	72312-21502	CRANKCASECCOMP	1
8	22160-21512	*CRANKCASEC	1
9	72312-21520	*BOLTBAR	2
10	12900-62010	*BEARING	1
11	22150-21250	*OILSEAL	1
12	12492-50100	*ROLLER	3
13	22157-21750	BOLT	4
14	22157-21760	SCREWPM	1
15	22157-12130	BOLT	2
16	22160-21720	GASKETCASE	1
17	22160-22100	SWITCHASSY	1
18	22160-22220	PLUGSWITCH	1
19	22160-22250	STOPPERH	1
20	22160-33730	SUPPORTER	1
21	22160-82150	GROMMETCARBURETOR	1
22	72312-22260	GROMMETA	1
23	72312-22270	GROMMETB	1



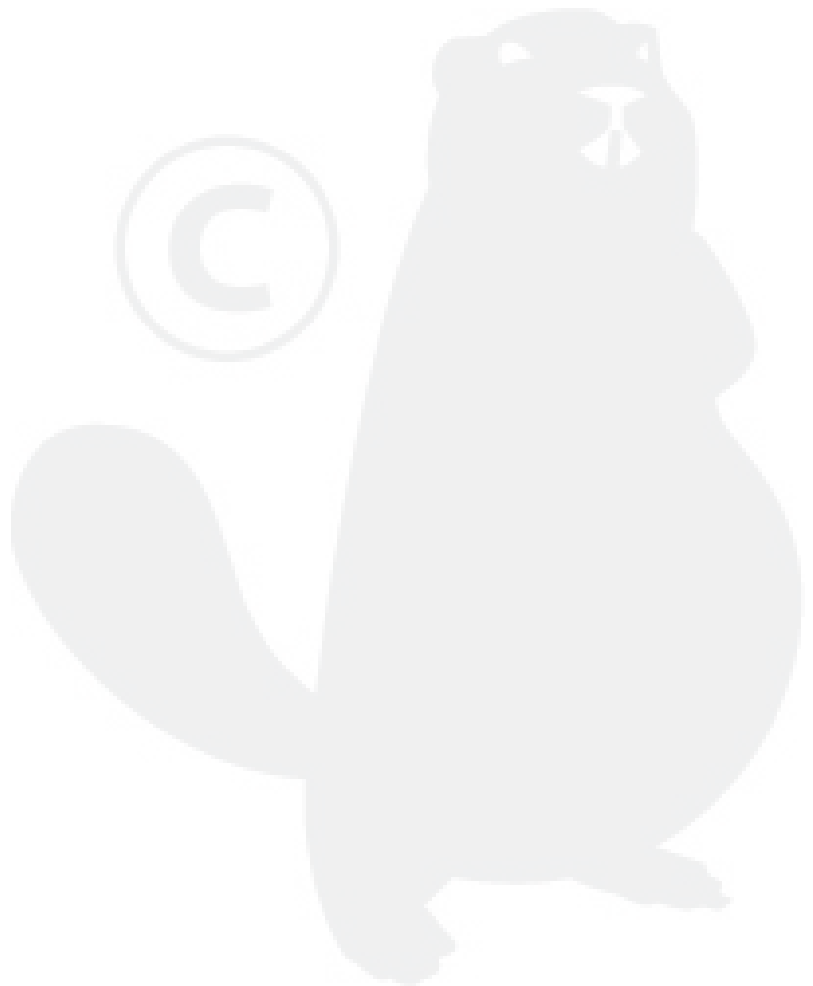


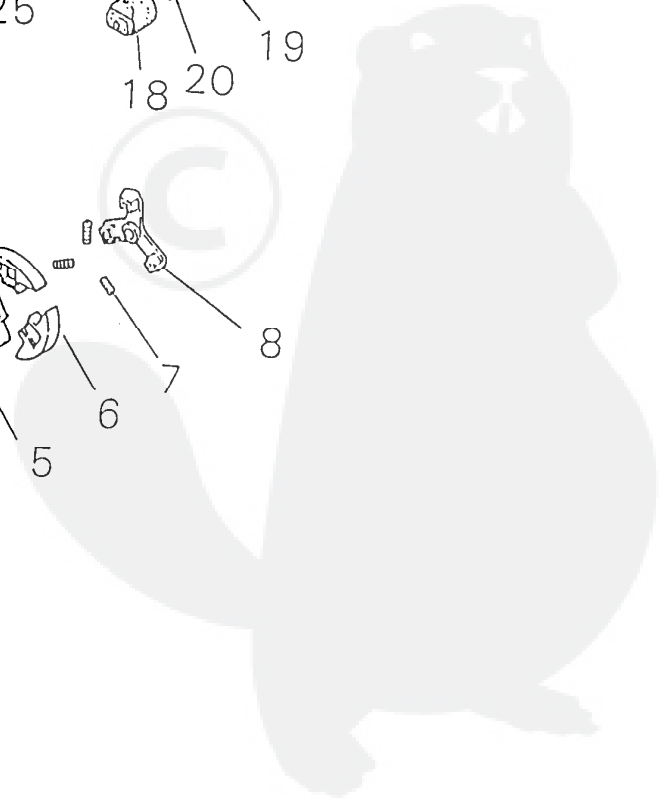
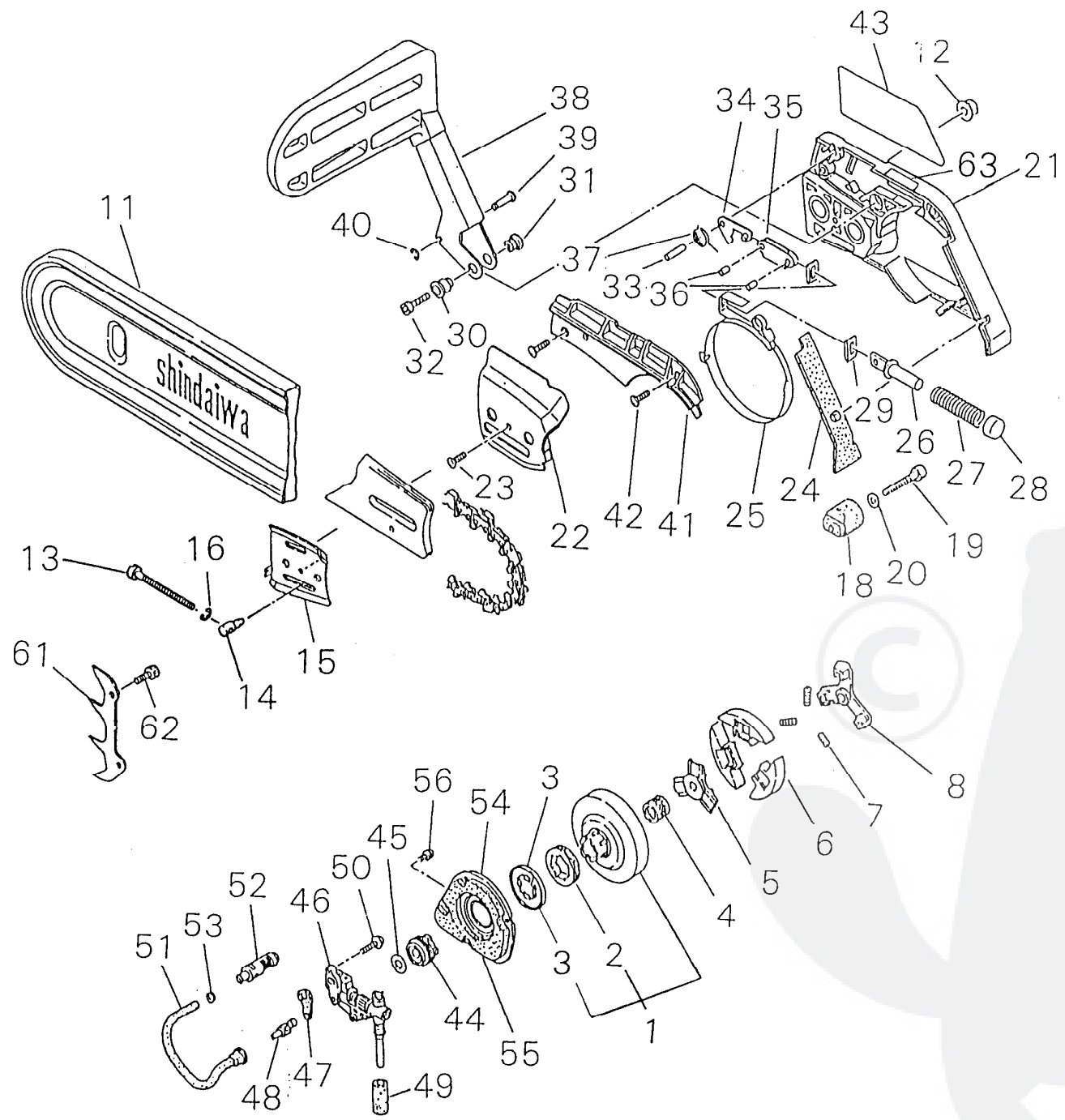
3-1	22160-31110	CYLINDERCOVER	1
2	22160-31120	PLUG	1
3	22160-31150	BOLTSW	3
4	72311-32110	FRONTHANDLE	1
5	22160-32210	SCREWPC	2
6	22160-32220	SCREWPC	2
	22160-33103	REARHANDLESUBASSY	1
7	22157-33200	*REARHANDLE	1
8	22160-33310	*GRIP	1
9	22160-33320	*PLATER	1
10	22160-33330	*PLATEL	1
11	22160-33351	*THROTTLELEVER	1
12	22160-33360	*LOCKLEVER	1
13	22160-33370	*SPRINGLEVER	1
14	22160-33380	*BOLTLEVER	1
15	12420-40255	*SPRINGPIN	1
16	11202-40120	*SCREWHILO	2
17	22160-33401	*STOPPERASSY	1
36	22160-33590	*STOPPERR	1
21	22160-33801	*CAPASSY	1
22	22160-33821	**GASKET	1
23	22160-33910	*PIPEBREATHER	1
24	22157-33950	*ELEMENT	1
25	22160-33920	*SPRING	1
	22160-34100	*FUELPIPEASSY	1
26	22160-34110	**FUELPIPE	1
	22115-85401	**FUELFILTERSUBASSY	1
27	22128-85410	***WEIGHTFUEL	1
28	22128-85421	***FILTER	2
29	22128-85440	***CLIPFILTER	1
30	22118-85460	***SCREEN	2
31	22128-85470	***SLEEVE	1
32	22128-85480	***RING	1
33	20020-85540	**CLIP	1
18	22160-33710	CUSHION27	3
19	22160-33720	PLUG27	5
20	22160-33770	STOPPERBOLT	5
37	22160-97810	CUSHION27	2
	22157-82500	CLEANERCOVERASSY	1
34	22157-82510	*CLEANERCOVER	1
35	22155-82520	*KNOBCLEANERCOVER	1
40	19402-00083	LABELCAUTION	1
41	19401-00094	LABELINST	1
42	19426-00016	LABELMARK	1





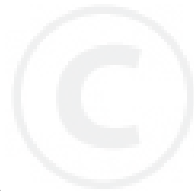
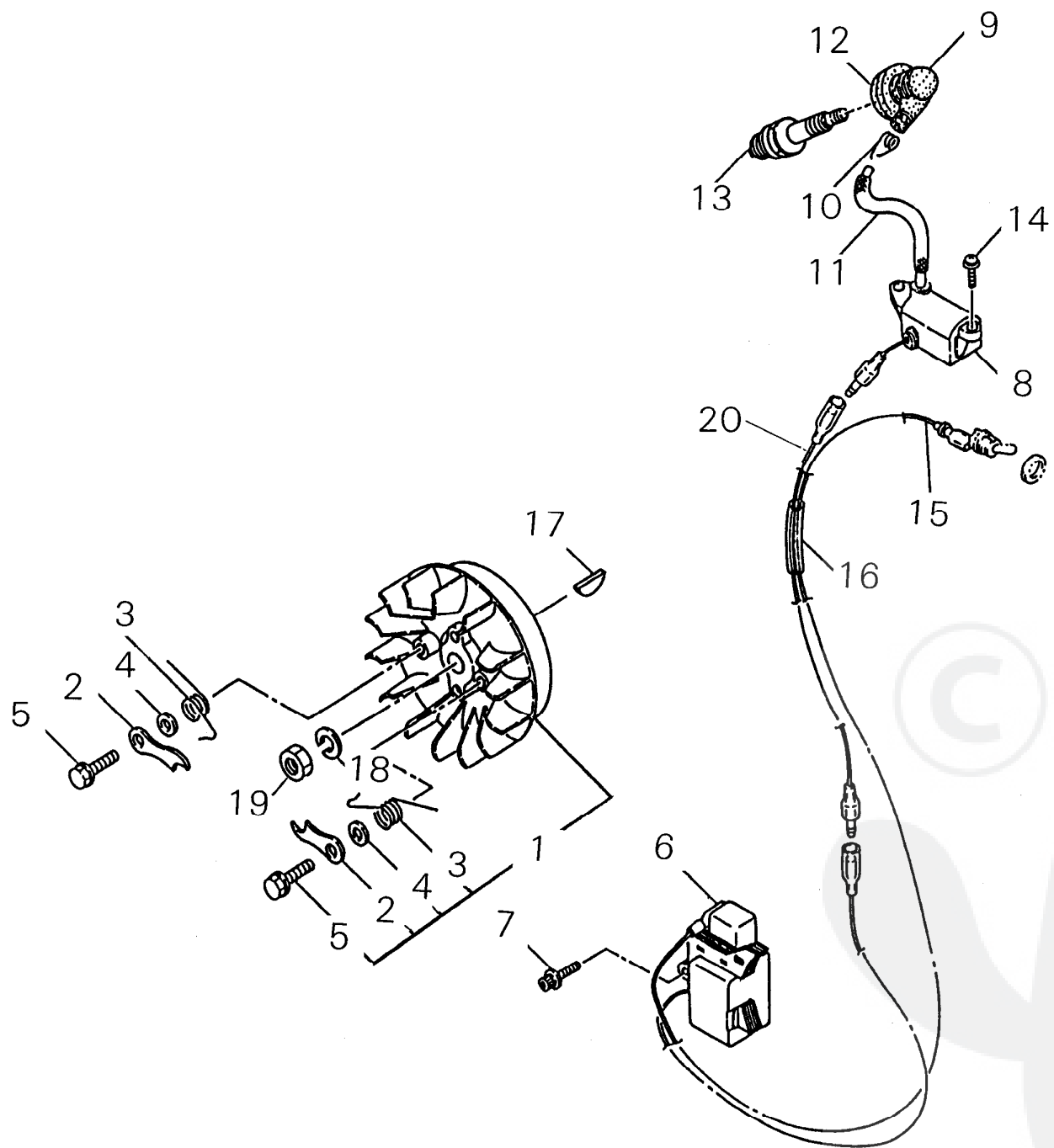
4-1	22157-41112	PISTON	1
2	22157-41210	PISTONRING	2
3	22157-41220	PISTONPIN	1
4	22100-41230	SNAPRING	2
5	22160-41240	BEARINGSE	1
6	22160-42002	CRANKSHAFTASSY	1





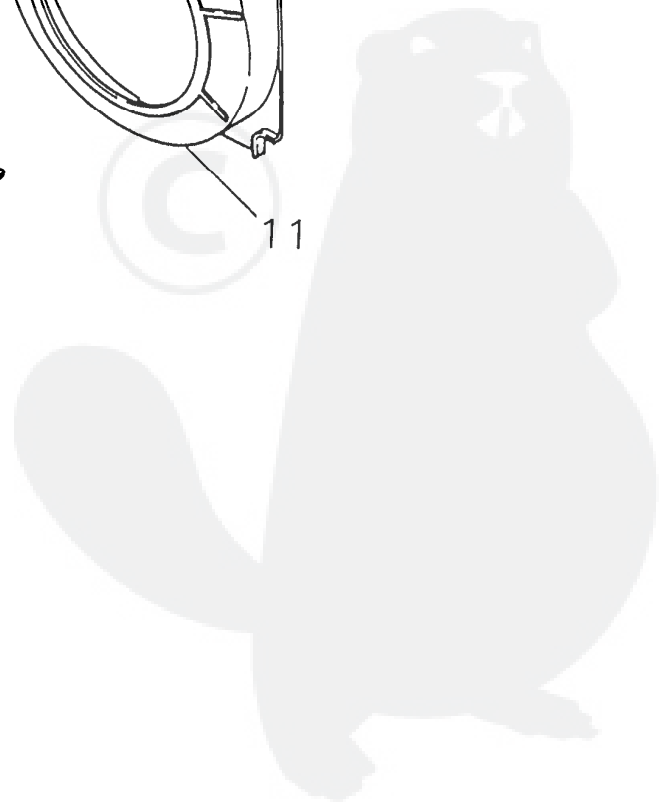
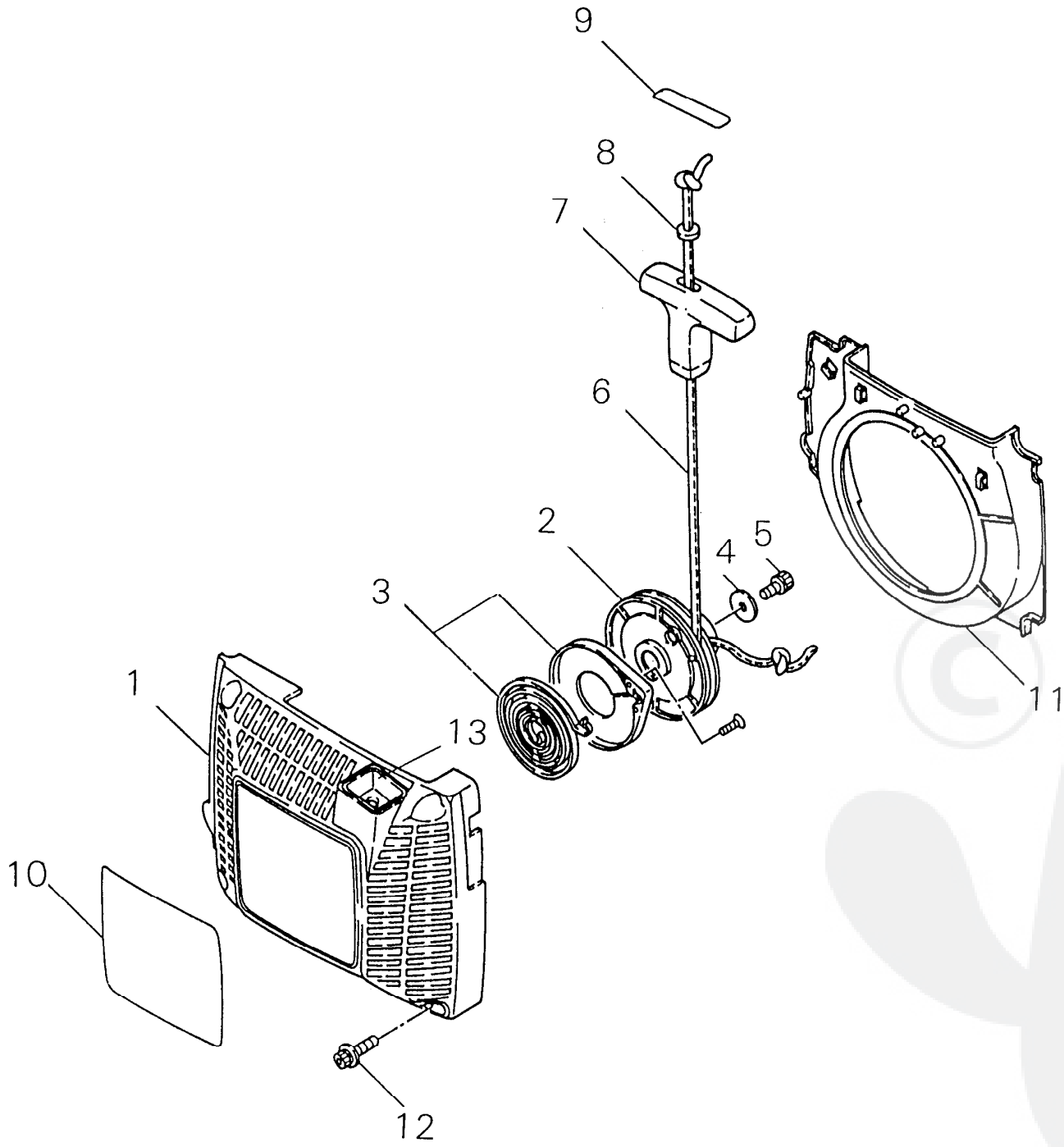
5-1	72346-51500	CLUTCHDRUMASSY	1
2	22131-98120	*RIM	1
3	22160-51530	*COVER	1
4	22100-51310	NEEDLEBEARING	1
	72346-51201	CLUTCHASSY	1
5	22160-51210	*CLUTCHBOSSA	1
6	72346-51220	*CLUTCHSHOE	3
7	72346-51310	*CLUTCHSPRING	3
8	22160-51240	*CLUTCHBOSSB	1
11	19600-64100	CHAINCOVER	1
12	22154-52410	NUT	2
13	72316-53310	SLIDESCREW	1
14	22150-52440	SLIDEPIECE	1
15	72316-54150	GUIDEPLATEC	1
16	72316-53320	SNAPRING	1
18	22160-52510	CHAINCATCHER	1
19	22155-12190	BOLT	1
20	01611-05100	WASHER	1
61	22160-52530	SPIKE	1
62	22157-15330	BOLT	2
	72346-54013	BRAKEASSY	1
21	72346-54110	*CLUTCHCOVER	1
22	72316-54160	*GUIDEPLATED	1
23	01270-04082	*SCREWTAPPING	1
24	72316-54170	*PROTECTOR	1
25	72345-54210	*BRAKEBAND	1
26	72316-54220	*HOLDERSPRING	1
27	72346-54230	*BRAKESPRING	1
28	72316-54240	*STOPPER	1
29	72316-54310	*ADJUSTPLATE	2
30	72316-54520	*HOLDER	1
31	72316-54530	*NUTLEVER	1
32	01020-04120	*BOLT	1
33	12492-40140	*ROLLER	1
34	22173-54561	*INNERLEVER	1
35	72316-54570	*TIESTRAP	1
36	12492-40080	*ROLLER	2
37	72316-54580	*SPRINGLEVER	1
38	72316-54511	*LEVER	1
39	72316-54540	*PINLEVER	1
40	02434-30060	*SNAPRING	1
41	72345-54611	*COVER	1
42	01270-04122	*SCREWTAPPING	2
43	72311-54141	LABELTRADE	1
63	19401-00093	LABELINST	1
44	22154-55110	GEAR	1
45	22154-55120	THRUSTPLATE	1
46	22160-55200	OILPUMPASSY	1
47	22150-55411	GASKETPUMP	1
48	22160-55420	ELBOW	1
49	22155-55430	FILTER	1
50	11205-04160	SCREWPM	2
	22160-55301	OILPIPEASSY	1
51	22160-55310	*OILPIPE	1
52	22169-57360	*OILFILTER	1
53	22100-57370	*CRIPOILFILTER	1
54	22160-56110	PUMPCOVER	1
55	22160-56120	MAT	1
56	22160-56150	SCREWPM5W	4



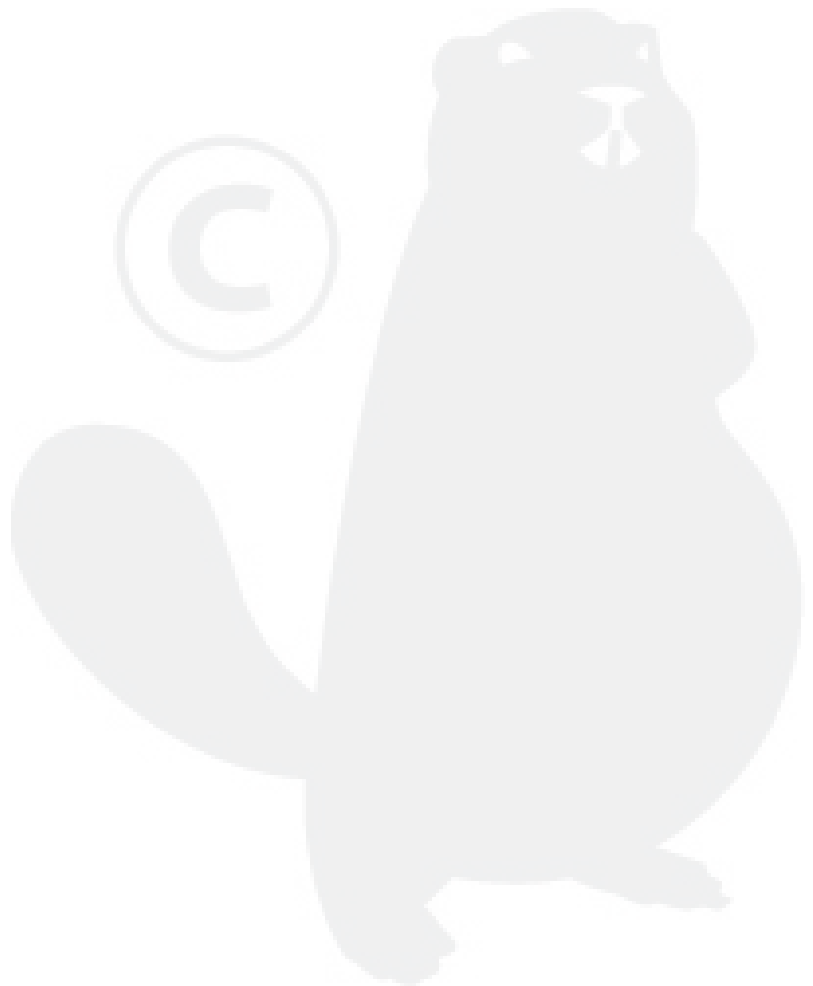


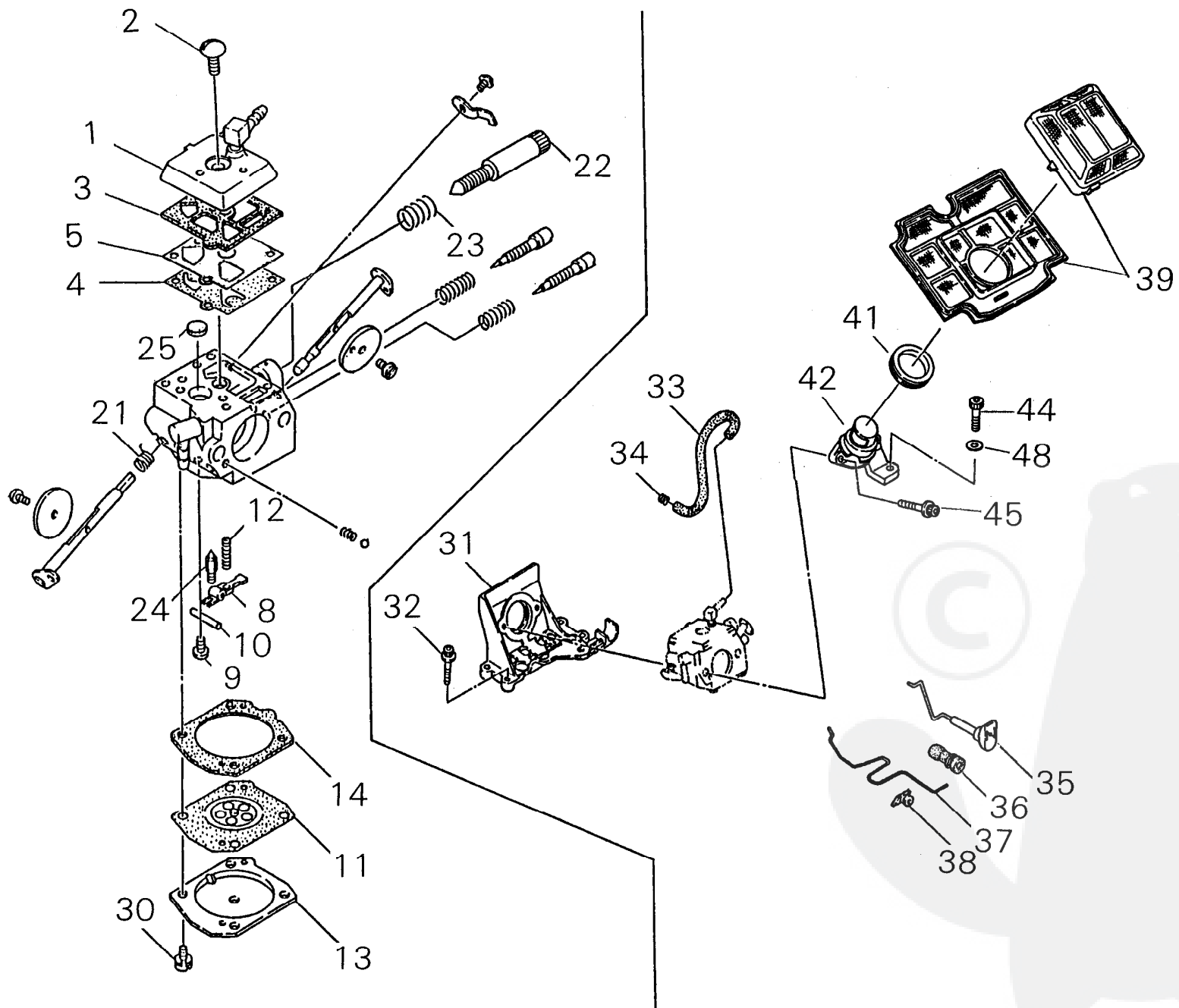
6-1	22160-71100	ROTORASSY	1
2	22100-71410	*RATCHET	2
3	22100-71420	*SPRINGRATCHET	2
4	22100-71430	*WASHER	2
5	22140-71440	*BOLT	2
6	22160-71511	EXCITECOIL	1
7	11024-04200	BOLTSW	2
8	22160-71702	IGNITIONCOIL	1
9	22160-72220	PLUGCAP	1
10	22154-72230	SPRINGPLUG	1
11	22160-72240	TUBE	1
12	22160-72260	SEALCAP	1
13	13000-13507	SPARKPLUGBPMR7A	1
14	11205-04160	SCREWPM	2
15	22160-71520	CORD	1
16	22160-71530	TUBE	1
17	02403-03100	KEY	1
18	01600-08201	SPRINGWASHER	1
19	22100-43231	NUT	1
20	22160-71750	CORD	1





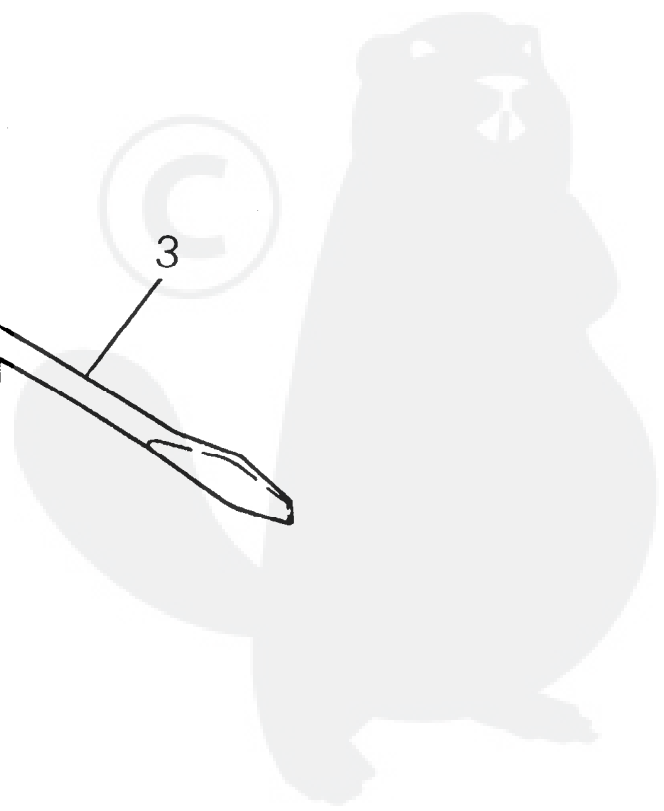
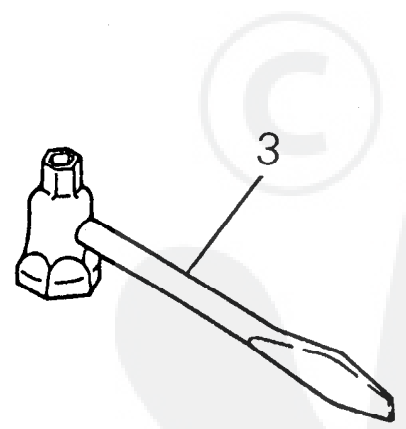
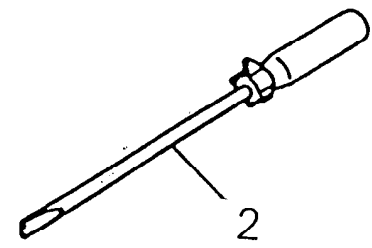
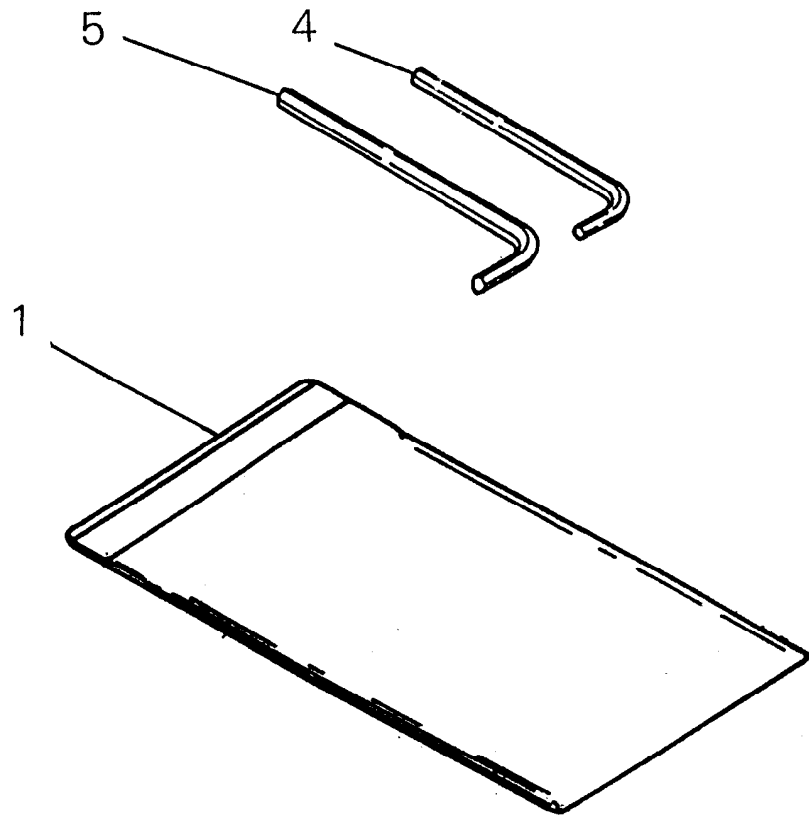
7-	22160-75100	RECOILSTARTERSUBASSY	1
1	22160-75210	*RECOILCASE	1
13	22160-75220	*ROPEGUIDE	1
2	22160-75310	*REEL	1
3	22160-75410	*RECOILSPRING	1
4	22160-75450	*WASHER	1
5	01020-05120	*BOLT	1
6	22160-75510	*ROPE	1
7	22150-75520	*KNOBRECOIL	1
8	22150-75530	*STOPPERKNOB	1
9	20010-75230	*TAPE	1
10	72271-75230	LABELTRADE	1
11	22160-75610	AIRPLATE	1
12	22157-75630	BOLTSW	4



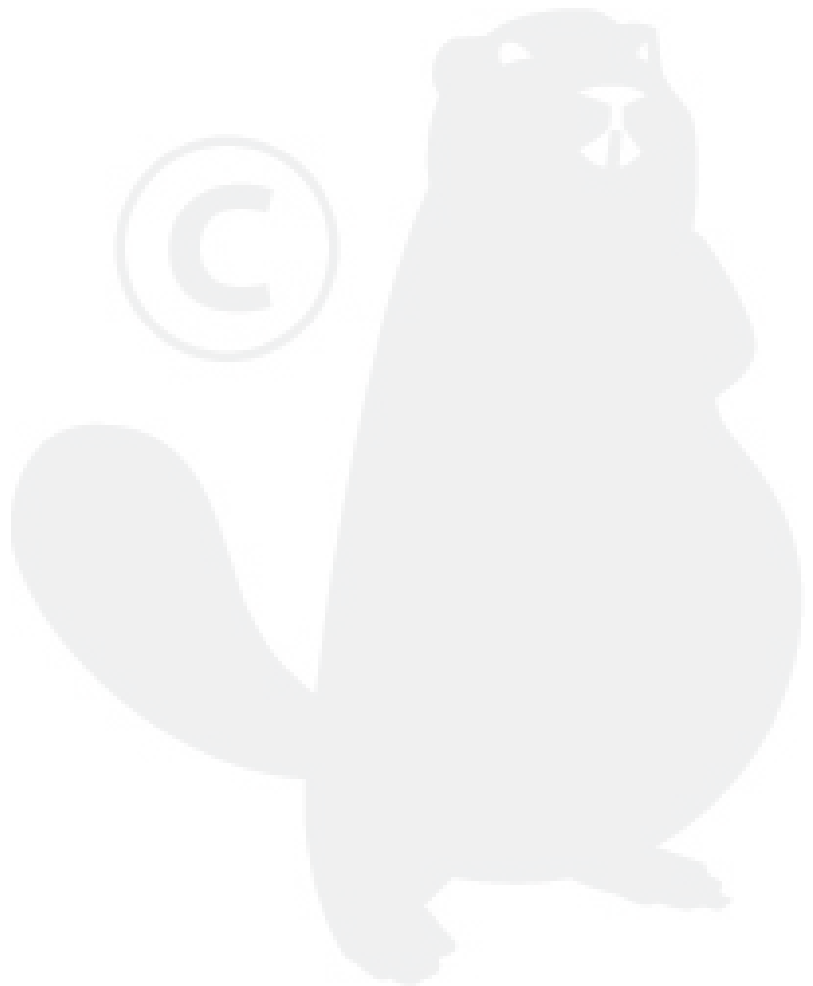


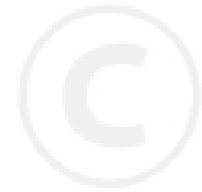
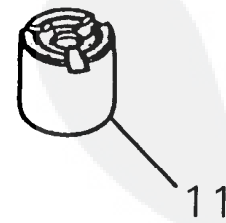
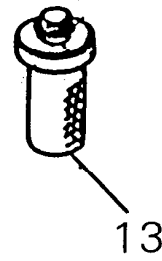
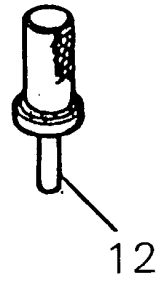
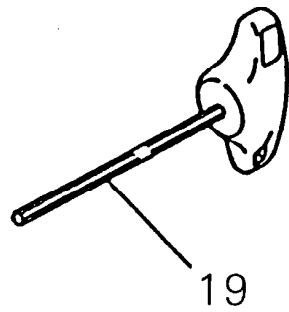
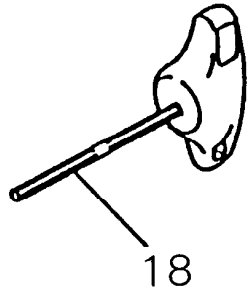
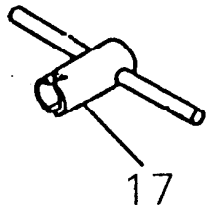
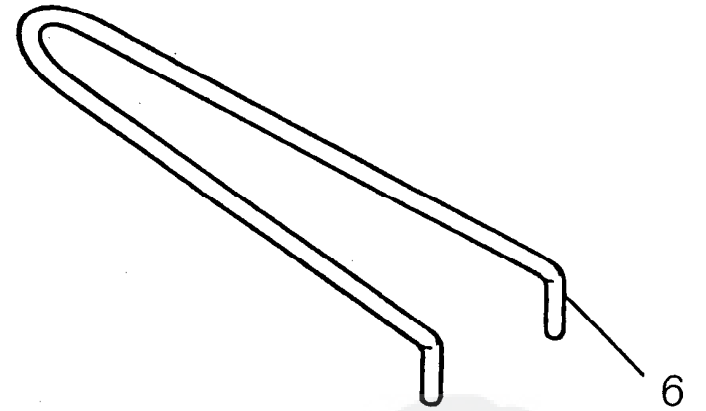
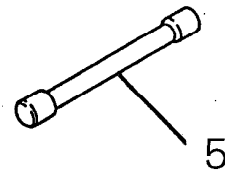
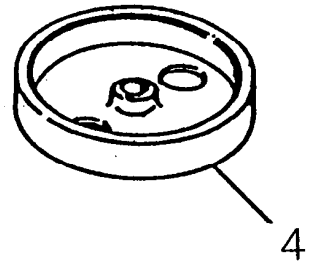
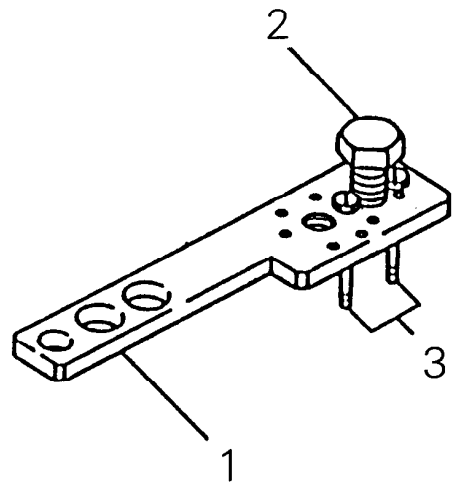
8-	22160-81002	CARBURETORASSY	1
1	22150-81120	*PUMPCOVERASSY	1
2	22100-81130	*SCREW	1
3	22150-81140	*GASKETPUMP	1
4	22169-81150	*DIAPHRAGMPUMP	1
5	22169-81180	*DIAPHRAGMPUMP	1
8	22160-81230	*LEVER	1
9	22100-81240	*SCREW	1
10	22100-81250	*PIN	1
11	22150-81260	*DIAPHRAGMASSY	1
12	22160-81270	*SPRINGLEVER	1
13	22150-81280	*COVERDAIPHRAGM	1
14	22150-81290	*GASKETDIAPHRAGM	1
30	22100-81351	*SCREW	4
21	22150-81430	*RETURNSPRING	1
22	22156-81410	*IDLESCREW	1
23	22156-81420	*SPRINGIDLE	1
24	20036-81440	*NEEDLEVALVE	1
25	70030-81380	*SCREEN	1
31	22160-82110	MOUNT	1
32	11024-04160	BOLTSLPW	4
	22160-82200	PULSEPIPECOMP	1
33	22160-82210	*PULSEPIPE	1
34	22150-82140	*CLIPPULSE	1
35	22160-82311	CHOKEROD	1
36	22160-82321	GROMMETCHOKE	1
37	22160-82353	THROTTLE ROD	1
38	22160-82360	GROMMETROD	1
39	22173-82400	AIRCLEANERCOMP	1
41	22157-82430	*GROMMETCLEANER	1
42	22157-82450	ELBOWCARBURETOR	1
44	22157-12130	BOLT	1
45	11022-05500	BOLTSPW	2
48	01613-05080	WASHER	1





9-	72297-91000	TOOLSET	1
1	19639-01100	*POLYBAG	1
2	22150-91160	*DRIVER	1
3	22150-91410	*PLUGWRENCH	1
4	09026-03001	*HEXAWRENCH	1
5	09026-04001	*HEXAWRENCH	1





10-	22150-96101	PULLERASSY	1
1	20000-96114	*LEVER	1
2	22100-96121	*CENTERBOLT	1
3	22102-96130	*BOLT	2
4	22160-96210	SETGAUGE	1
5	22155-96240	PISTONSTOPPER	1
6	22160-96250	WRENCH	1
11	22160-96410	HOLDER	1
12	22155-96420	RODOILSEALM	1
13	22160-96440	ROD6201	1
17	22150-96510	HOLDERSPRING	1
18	22155-96521	TWRENCH4	1
19	22155-96531	TWRENCH5	1

