

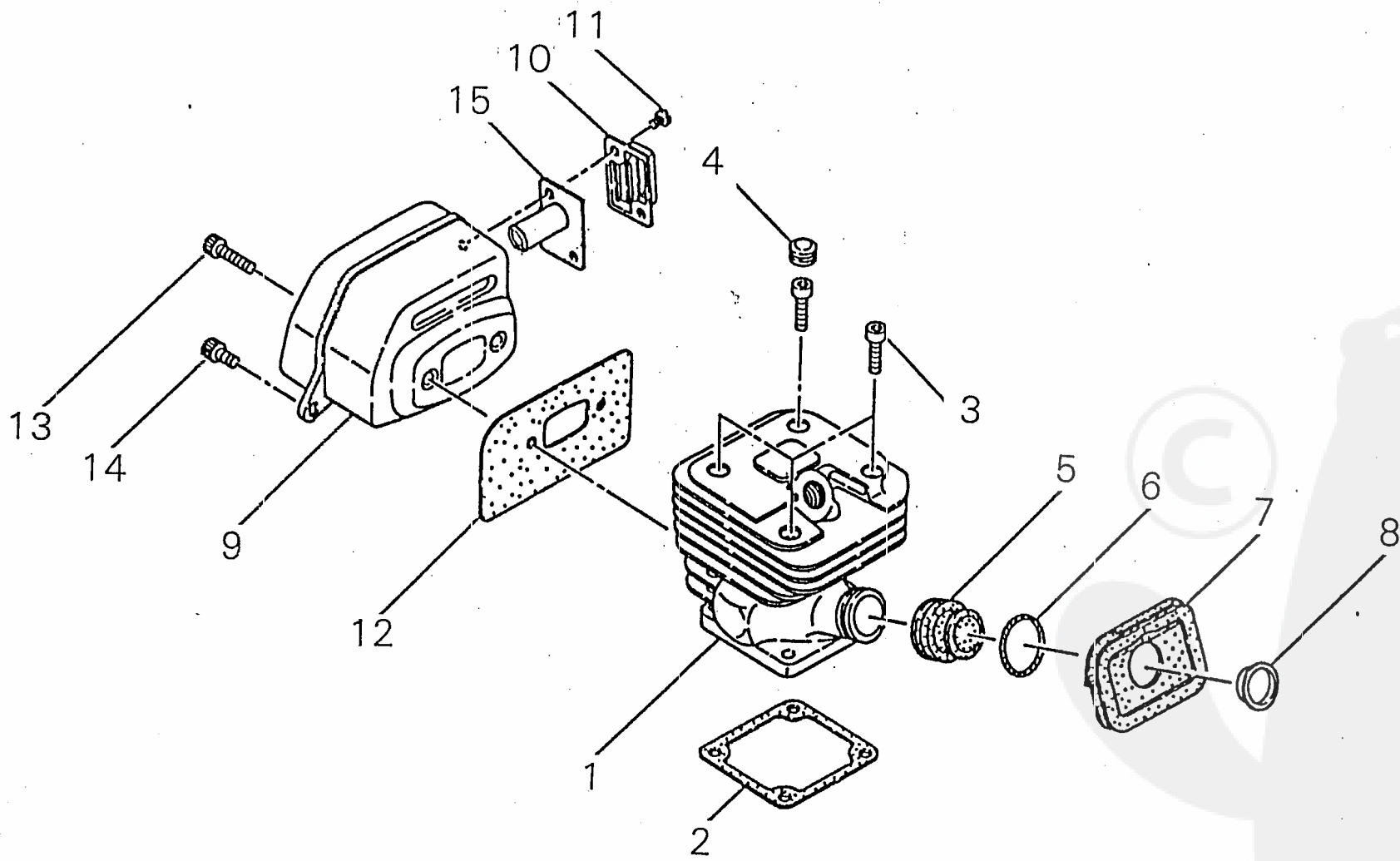
shindaiwa

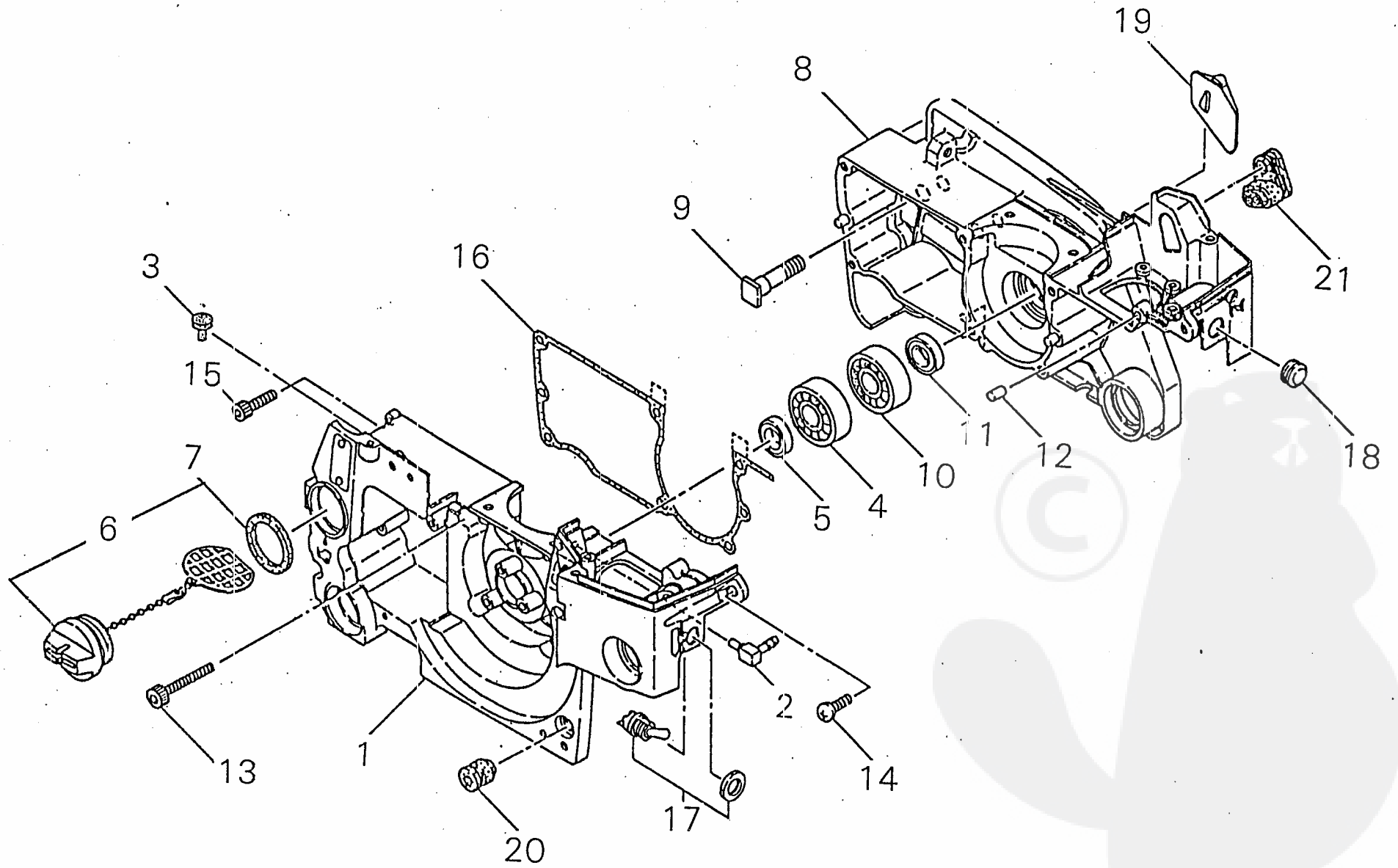
PARTS PRICE LIST

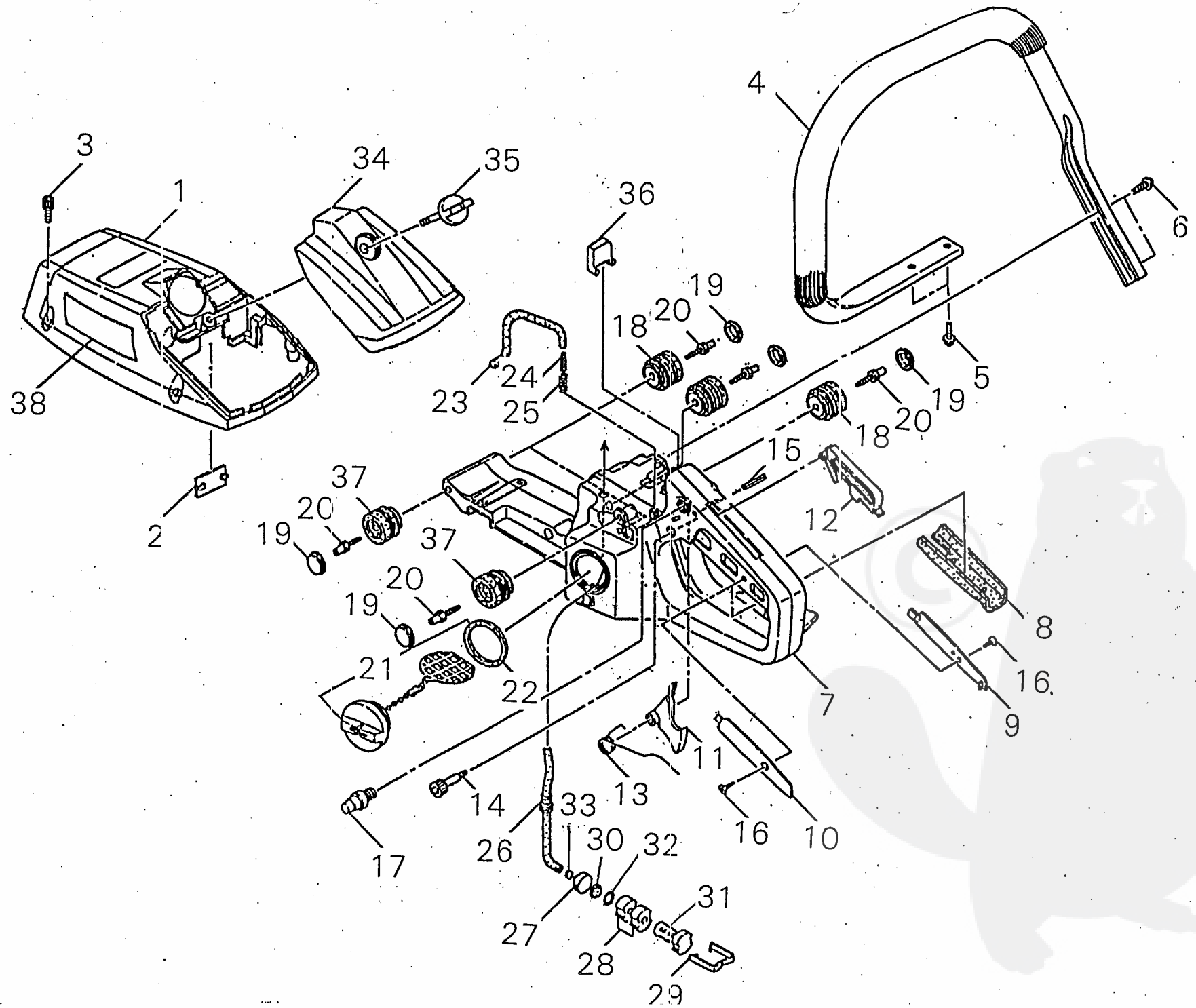
488 / I - 18

SHIN-DAIWA KOGYO CO., LTD.

OCT. 25. 1990



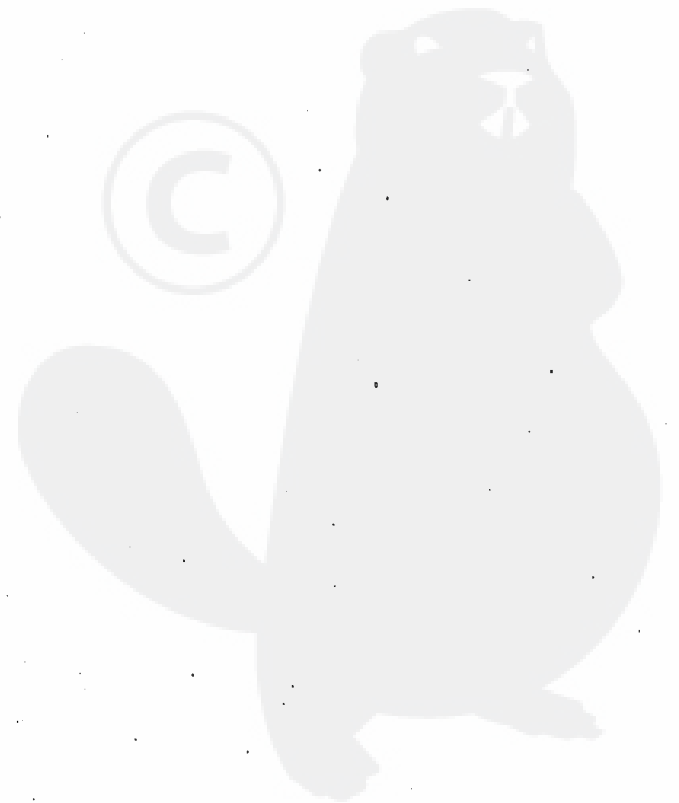
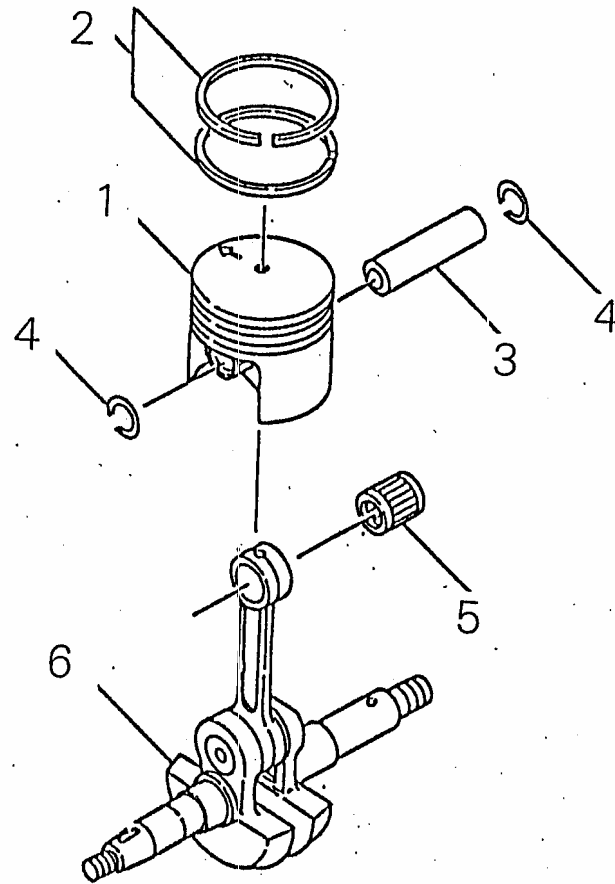




PRICE:(ST)

ENGINE

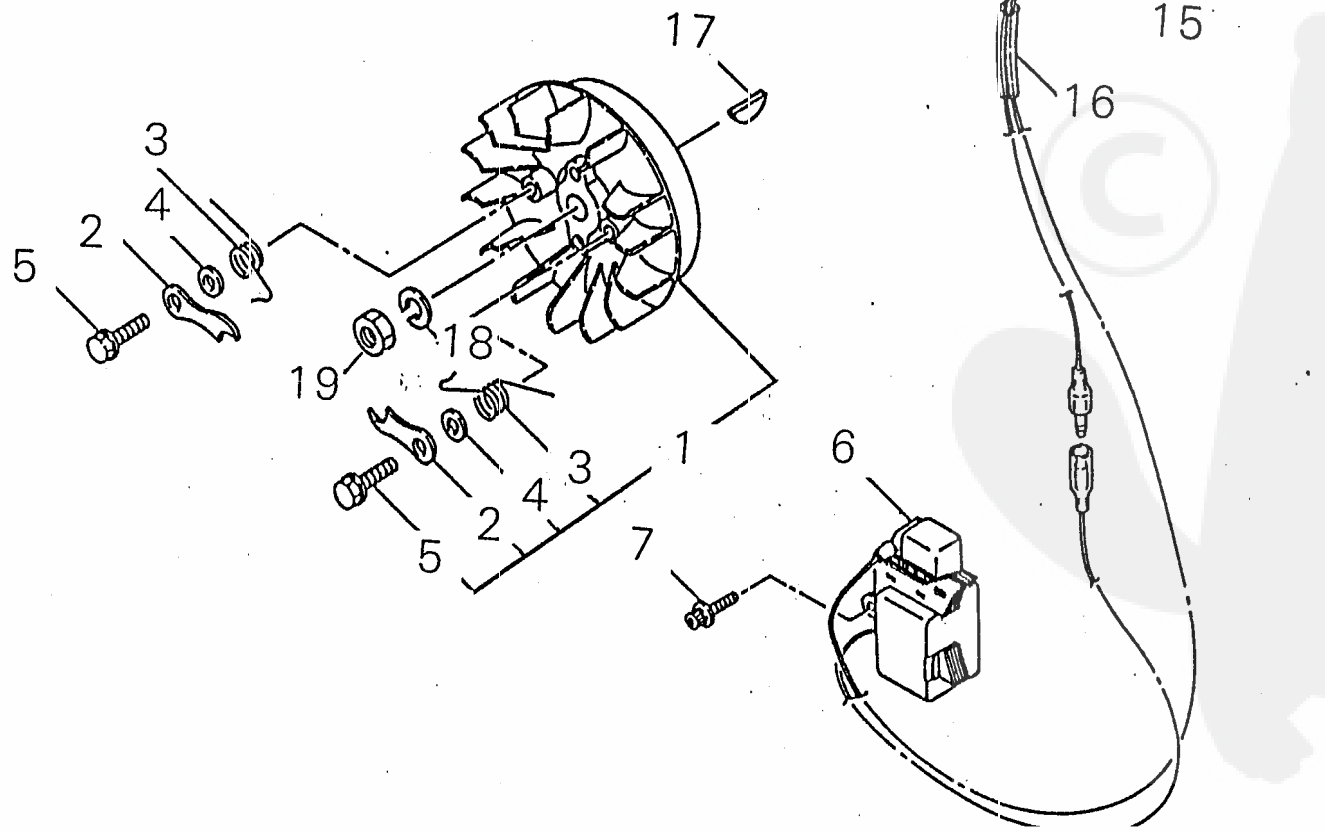
| Ref. No | Part No. | Part Name | Q'ty | Remarks |
|---------|-------------|------------------------|------|---------|
| 3- | 22160-31000 | COVER ASSY | 1 | |
| 1 | 22160-31110 | • CYLINDER COVER | 1 | |
| 2 | 22160-31120 | • PLUG | 1 | |
| 3 | 22160-31150 | • BOLT SW | 3 | |
| 38 | 72289-33350 | CAUTION PLATE | 1 | |
| 4 | 22160-32110 | FRONT HANDLE | 1 | |
| 5 | 22160-32210 | SCREW PC | 2 | |
| 6 | 22160-32220 | SCREW PC | 2 | |
| | 22160-33102 | REAR HANDLE SUB ASSY | 1 | |
| 7 | 22157-33200 | • REAR HANDLE | 1 | |
| 8 | 22160-33310 | • GRIP | 1 | |
| 9 | 22160-33320 | • PLATE R | 1 | |
| 10 | 22160-33330 | • PLATE L | 1 | |
| 11 | 22160-33351 | • THROTTLE LEVER | 1 | |
| 12 | 22160-33360 | • LOCK LEVER | 1 | |
| 13 | 22160-33370 | • SPRING LEVER | 1 | |
| 14 | 22160-33380 | • BOLT LEVER | 1 | |
| 15 | 12420-40255 | • SPRING PIN | 1 | |
| 16 | 11202-40120 | • SCREW HILO | 2 | |
| 17 | 22160-33400 | • STOPPER ASSY | 1 | |
| 36 | 22160-33590 | • STOPPER R | 1 | |
| 21 | 22160-33801 | • FUEL CAP ASSY | 1 | |
| 22 | 22160-33821 | • GASKET | 1 | |
| | 22160-33901 | • BREATHER ASSY | 1 | |
| 23 | 22160-33910 | • PIPE BREATHER | 1 | |
| 24 | 22157-33950 | • ELEMENT | 1 | |
| 25 | 22160-33920 | • SPRING | 1 | |
| | 22160-34100 | • FUEL PIPE ASSY | 1 | |
| 26 | 22160-34110 | • FUEL PIPE | 1 | |
| | 22115-85401 | • FUEL FILTER SUB ASSY | 1 | |
| 27 | 22128-85410 | • WEIGHT FUEL | 1 | |
| 28 | 22128-85421 | • FILTER | 2 | |
| 29 | 22128-85440 | • CLIP FILTER | 1 | |
| 30 | 22118-85460 | • SCREEN | 2 | |
| 31 | 22128-85470 | • SLEEVE | 1 | |
| 32 | 22128-85480 | • RING | 1 | |
| 33 | 20020-85540 | • CLIP | 1 | |
| 18 | 22160-33710 | CUSHION 27 | 3 | |

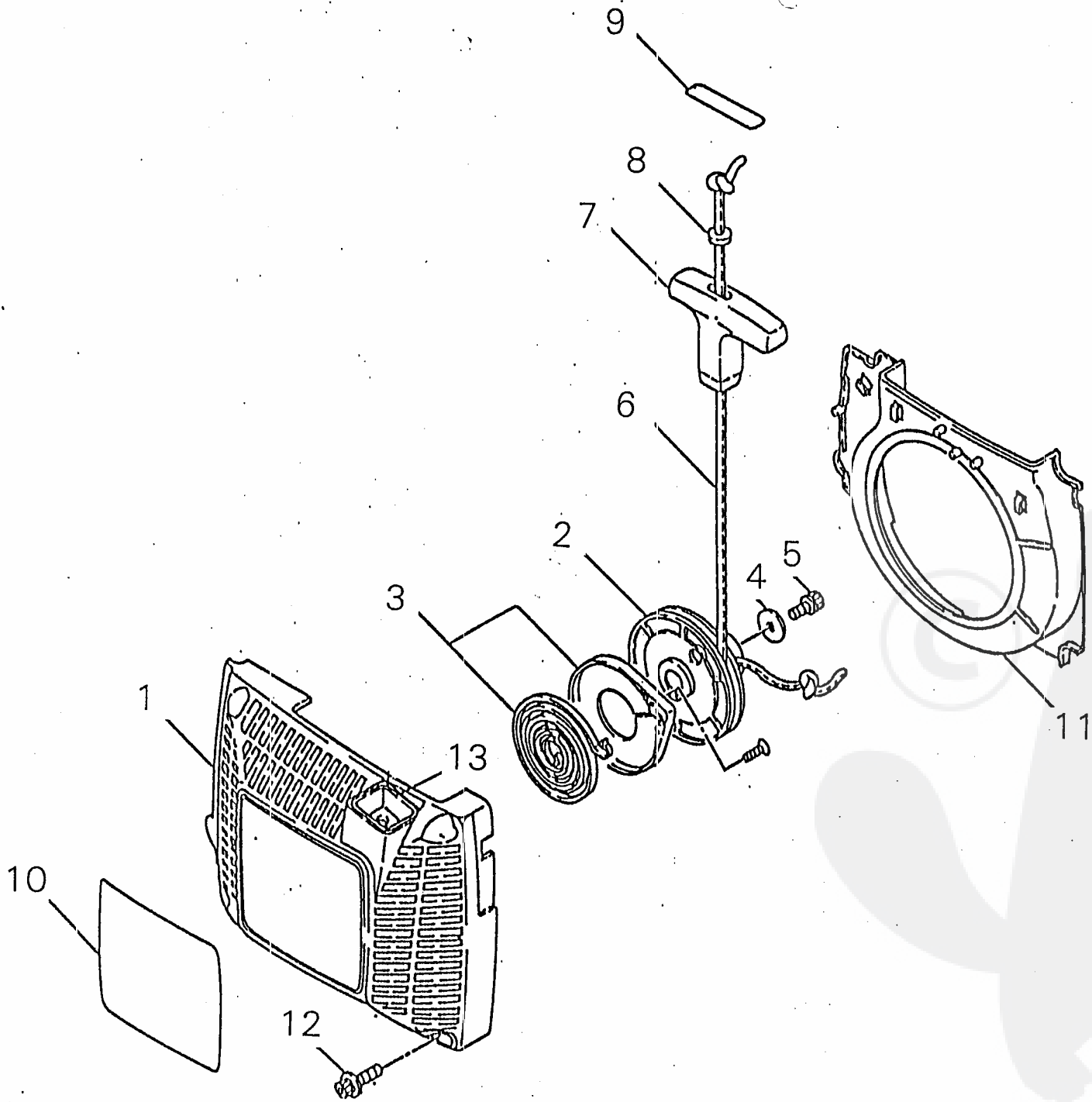


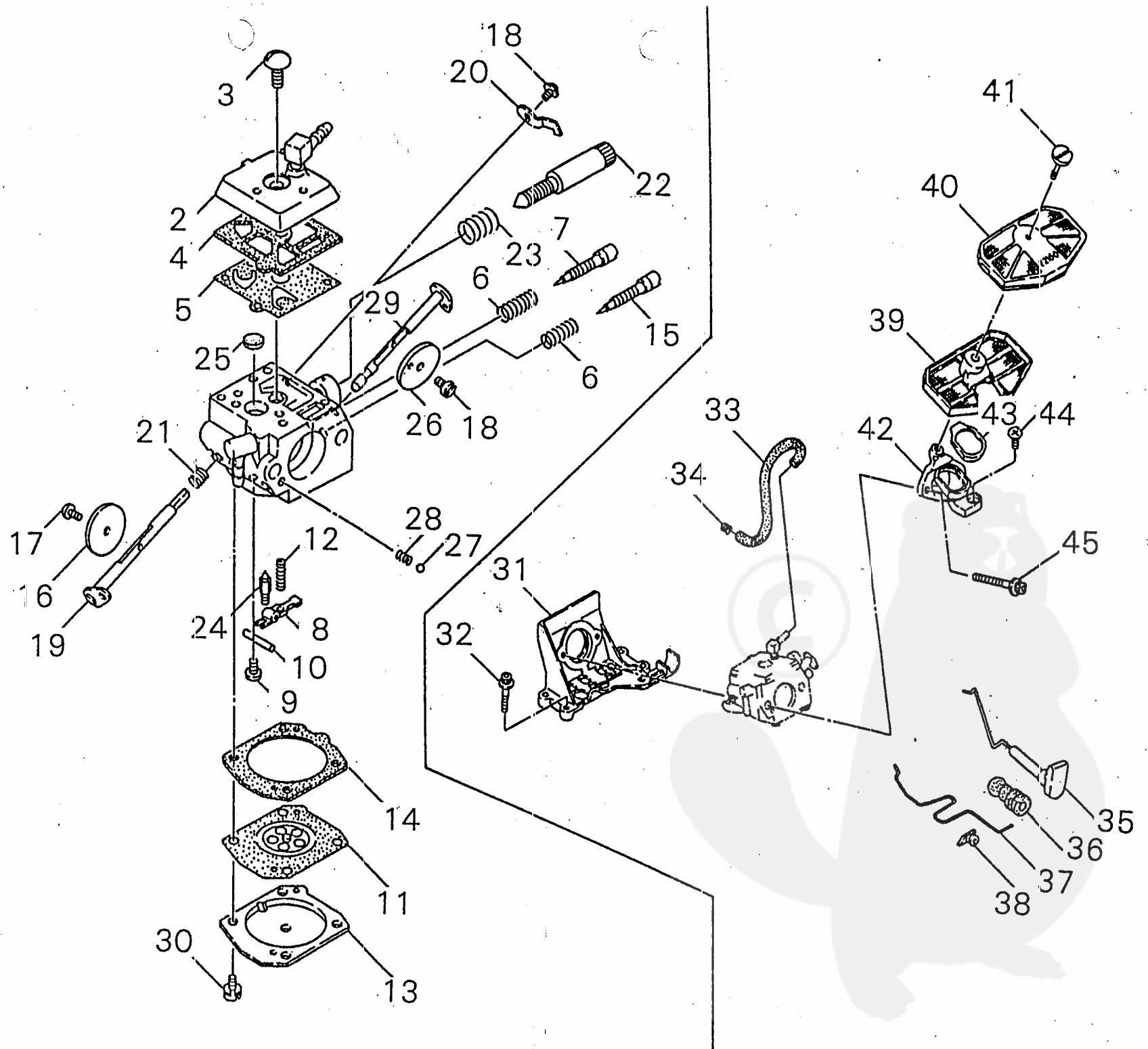
PRICE: (ST)

ENGINE

| Ref. No. | Part No. | Part Name | Q'ty | Remarks |
|----------|-------------|-------------------------|------|---------|
| 5- | 22160-51501 | CLUTCH DRUM ASSY | 1 | |
| 1 | 22160-51511 | • CLUTCH DRUM | 1 | |
| 2 | 22131-98120 | • RIM | 1 | |
| 3 | 22160-51530 | • COVER | 1 | |
| 4 | 22100-51310 | NEEDLE BEARING | 1 | |
| | 22160-51200 | CLUTCH ASSY | 1 | |
| 5 | 22160-51210 | • CLUTCH BOSS A | 1 | |
| 6 | 22160-51220 | • CLUTCH SHOE | 3 | |
| 7 | 22160-51230 | • CLUTCH SPRING | 3 | |
| 8 | 22160-51240 | • CLUTCH BOSS B | 1 | |
| 9 | 72271-52111 | GUIDE BAR | 1 | |
| 10 | 18075-00720 | SAW CHAIN | 1 | |
| 11 | 22150-52310 | PROTECTOR | 1 | |
| 12 | 22154-52410 | NUT | 2 | |
| 13 | 22160-53310 | SLIDE SCREW | 1 | |
| 14 | 22150-52440 | SLIDE PIECE | 1 | |
| 15 | 22160-97630 | GUIDE PLATE C | 1 | |
| 16 | 22160-56150 | SCREW PM SW | 1 | |
| 18 | 22160-52510 | CHAIN CATCHER | 1 | |
| 19 | 22155-12190 | BOLT | 1 | |
| 20 | 01611-05100 | WASHER | 1 | |
| 61 | 22160-52530 | SPIKE | 1 | |
| 62 | 22157-15330 | BOLT | 2 | |
| | 72311-54001 | BRAKE ASSY | 1 | |
| | 72311-54101 | • CLUTCH COVER SUB ASSY | 1 | |
| 21 | 22157-54112 | •• CLUTCH COVER | 1 | |
| 23 | 72311-54140 | •• NAME PLATE C | 1 | |
| 24 | 22160-54160 | •• PROTECTOR | 1 | |
| 52 | 22160-97640 | •• GUIDE PLATE D | 1 | |
| 54 | 22160-56150 | •• SCREW PM SW | 1 | |
| 25 | 22160-54211 | • BRAKE BAND | 1 | |
| 26 | 22160-54220 | • BOLT | 1 | |
| 27 | 02427-40125 | • SPRING PIN | 1 | |
| 28 | 22160-54310 | • ADJUST ROD | 1 | |
| 29 | 22150-54320 | • ADJUST SCREW | 1 | |
| 30 | 22150-54330 | • BREAK SPRING | 1 | |
| 31 | 22160-54340 | • WASHER | 1 | |
| 32 | 22150-54410 | • BROCK | 1 | |







PRICE:(ST)

ENGINE

| Ref. No | Part No. | Part Name | Qty | Remarks |
|---------|-------------|--------------------|-----|---------|
| 8- | 22160-81001 | CARBURETOR ASSY | 1 | |
| 2 | 22150-81120 | • PUMP COVER ASSY | 1 | |
| 3 | 22100-81130 | • SCREW | 1 | |
| 4 | 22150-81140 | • GASKET PUMP | 1 | |
| 5 | 22150-81150 | • DIAPHRAGM PUMP | 1 | |
| 6 | 22160-81160 | • SPRING NEEDLE | 2 | |
| 7 | 22160-81170 | • L NEEDLE | 1 | |
| 8 | 22150-81230 | • LEVER | 1 | |
| 9 | 22100-81240 | • SCREW | 1 | |
| 10 | 22100-81250 | • PIN | 1 | |
| 11 | 22150-81260 | • DIAPHRAGM ASSY | 1 | |
| 12 | 22100-81270 | • SPRING LEVER | 1 | |
| 13 | 22150-81280 | • COVER DAIPHRAGM | 1 | |
| 14 | 22150-81290 | • GASKET DIAPHRAGM | 1 | |
| 15 | 22160-81330 | • H NEEDLE | 1 | |
| 16 | 22100-81340 | • THROTTLE VALVE | 1 | |
| 17 | 22150-81420 | • SCREW ASSY | 1 | |
| 18 | 22100-81360 | • SCREW | 2 | |
| 19 | 22160-81371 | • SHAFT ASSY | 1 | |
| 20 | 22160-81390 | • STOPPER | 1 | |
| 21 | 22150-81430 | • RETURN SPRING | 1 | |
| 22 | 22156-81410 | • IDEL SCREW | 1 | |
| 23 | 22156-81420 | • SPRING IDLE | 1 | |
| 24 | 20036-81440 | • NEEDLE VALVE | 1 | |
| 25 | 70030-81380 | • SCREEN | 1 | |
| 26 | 22160-81710 | • CHOKE VALVE | 1 | |
| 27 | 22150-81720 | • BALL | 1 | |
| 28 | 22150-81730 | • SPRING | 1 | |
| 29 | 22160-81740 | • SHAFT ASSY | 1 | |
| 30 | 22100-81351 | • SCREW ASSY | 4 | |
| 31 | 22160-82110 | MOUNT | 1 | |
| 32 | 11024-04160 | BOLT SLPW | 4 | |
| | 22160-82200 | PULSE PIPE COMP | 1 | |
| 33 | 22160-82210 | • PULSE PIPE | 1 | |
| 34 | 22150-82140 | • CLIP PULSE | 1 | |
| 35 | 22160-82311 | CHOKE ROD | 1 | |
| 36 | 22160-82321 | GROMMET CHOKE | 1 | |
| 37 | 22160-82350 | THROTTLE ROD | 1 | |

