

Shindaiwa Illustrated Parts List

490 EC1 Brushcutter



CYLINDER / MUFFLER	2
CRANKCASE	3
CYLINDER COVER / FRONT & REAR HANDLE	4 - 5
CLUTCH ASSEMBLY / DRUM / COVER	6 - 7
CRANKSHAFT / PISTON	8
ROTOR / COIL ASSEMBLY	9
CARBURETOR	10 - 11
RECOIL STARTER	12
TOOL SET	13

www.shindaiwa.com

11975 SW Herman Road

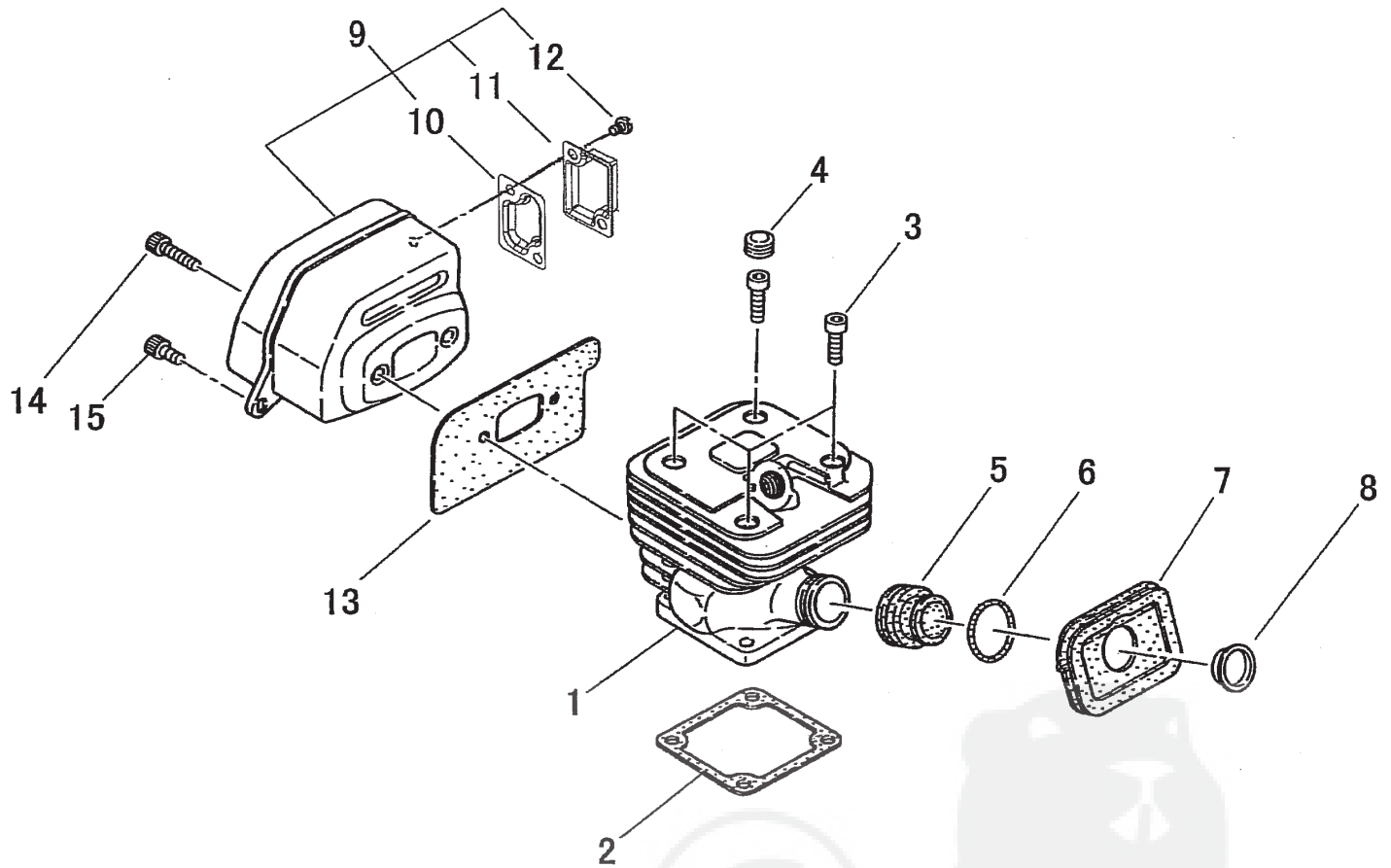
Tualatin, Oregon 97062, U.S.A.

1 + 503.692.3070 • fax 1 + 503.692.6696 •

shindaiwa

CYLINDER / MUFFLER

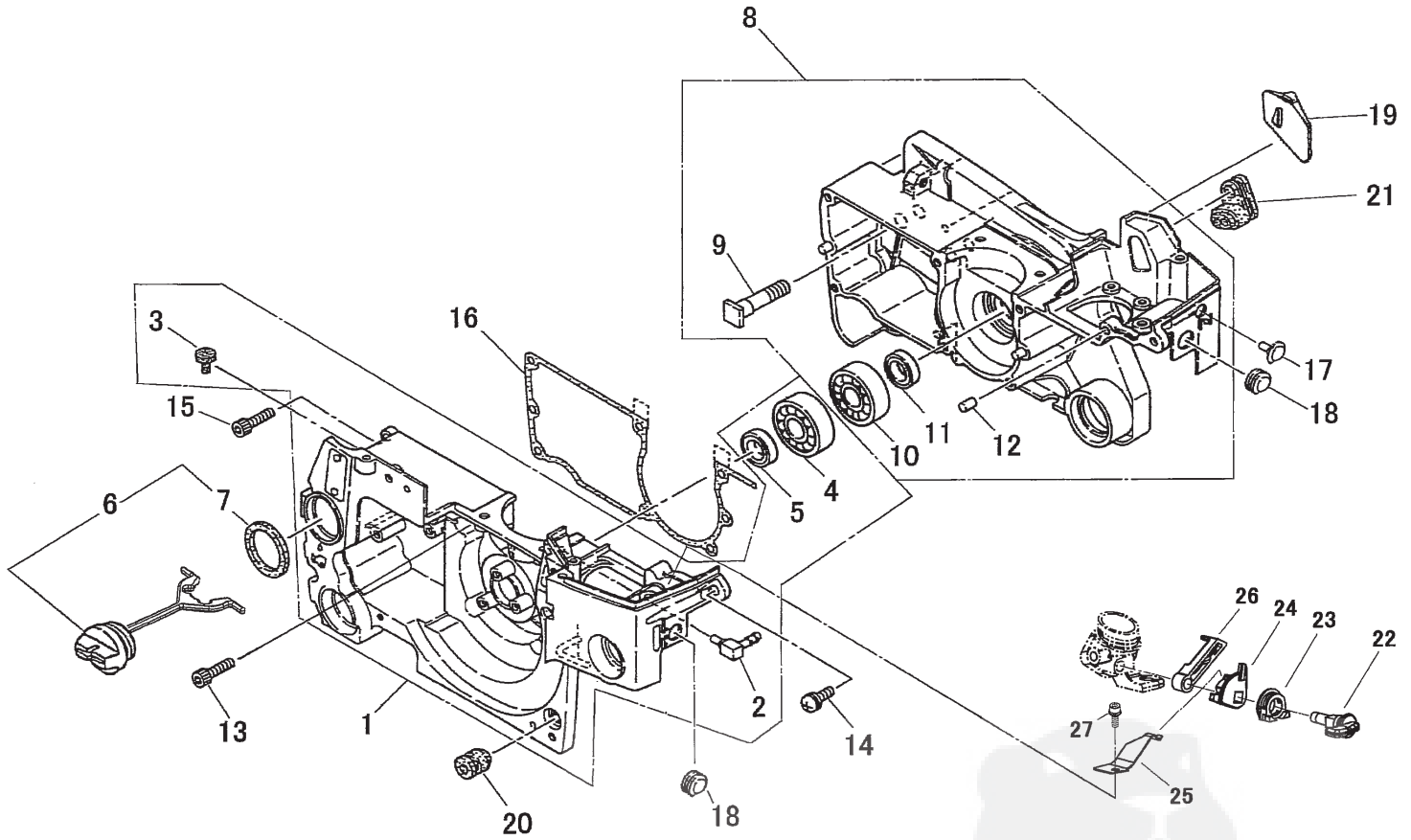
ILLUSTRATION 1 - REV 4/07



Ref. No	Part No.	Part Name	Q'ty
1-1	22157-12110	CYLINDER	1
2	22160-12121	GASKET CYLINDER	1
3	22157-12130	BOLT	4
4	22160-22220	PLUG SWITCH	1
5	22160-12150	BOOT	1
6	22160-12160	SPRING	1
7	22160-12170	SEAL	1
8	22115-14140	SLEEVE	1
9	72312-15100	MUFFLER SUB ASSEMBLY	1
10	72312-15220	*SILENCER	1
11	22160-15210	*TAIL PLATE	1
12	11203-04060	*SCREW PM	2
13	22160-15311	GASKET MUFFLER	1
14	22157-12130	BOLT	2
15	22157-15330	BOLT	2

CRANKCASE

ILLUSTRATION 2 - REV 4/07



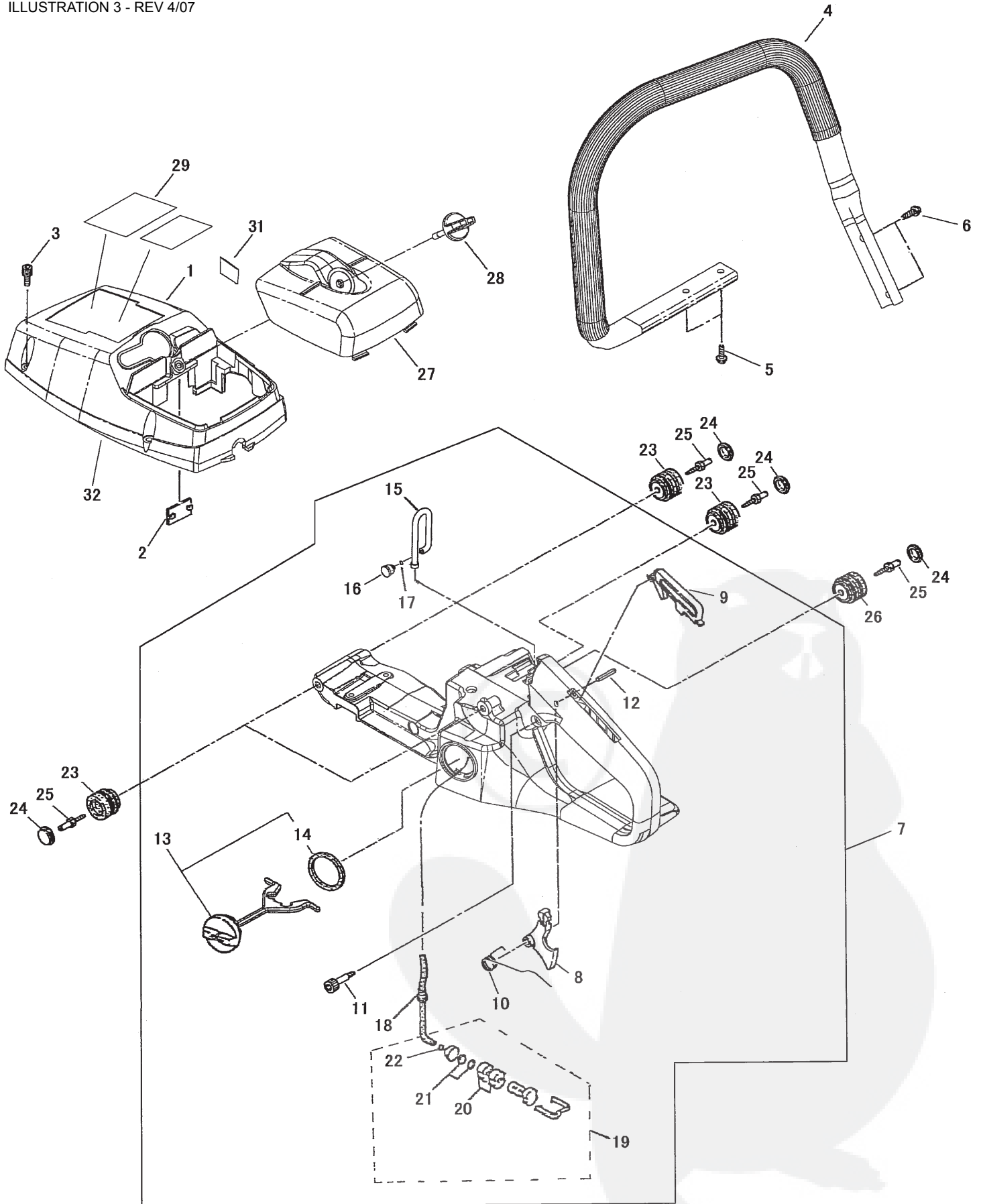
Ref. No	Part No.	Part Name	Q'ty
2-1	39309-21010	CRANKCASE M COMP	1
2	22150-21220	*PULSE JOINT	1
3	22115-57120	*VALVE OIL TANK	1
4	12900-62010	*BEARING	1
5	22150-21250	*OIL SEAL	1
6	39309-21030	CAP ASSEMBLY	1
7	39309-21250	*GASKET	1
8	39309-21021	CRANKCASE C COMP	1
9	22160-21520	*BOLT BAR	2
10	12900-62010	*BEARING	1
11	22150-21250	*OIL SEAL	1
12	12492-50100	*ROLLER	3
13	22157-21750	BOLT	4
14	22157-21760	SCREW PM	1

Ref. No	Part No.	Part Name	Q'ty
15	22157-12130	BOLT	2
16	22160-21720	GASKET CASE	1
17	15270-02004	CLAMP	1
18	22160-22220	PLUG SWITCH	2
19	22160-22250	STOPPER H	1
20	22160-33730	SUPPORTER	1
21	69026-21310	GROMMET	1
22	69020-21311	SWITCH LEVER	1
23	69020-21321	BUSH	1
24	69020-21332	SWITCH	1
25	69020-21341	SPRING PLATE	1
26	69020-21351	CHOKE LEVER	1
27	11022-04100	BOLT SPW	1

* Denotes item is part of an assembly ** Denotes item is part of a sub-assembly

CYLINDER COVER / FRONT & REAR HANDLE

ILLUSTRATION 3 - REV 4/07

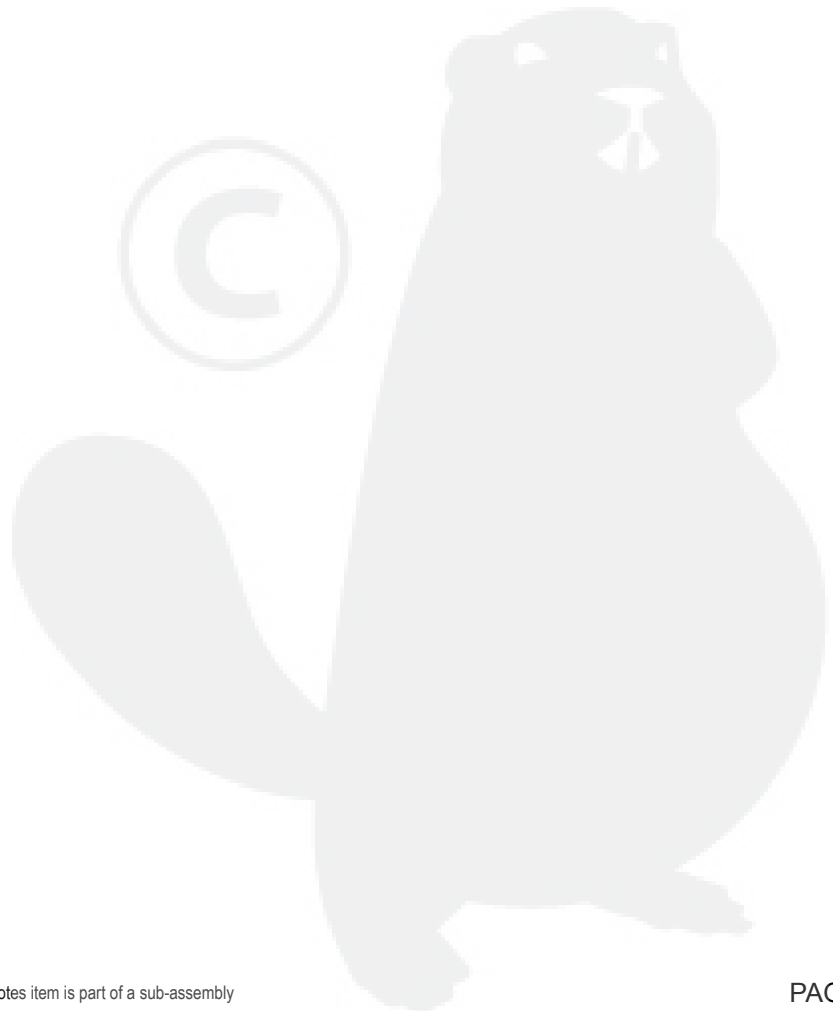


CYLINDER COVER / FRONT & REAR HANDLE

ILLUSTRATION 3 - REV 4/07

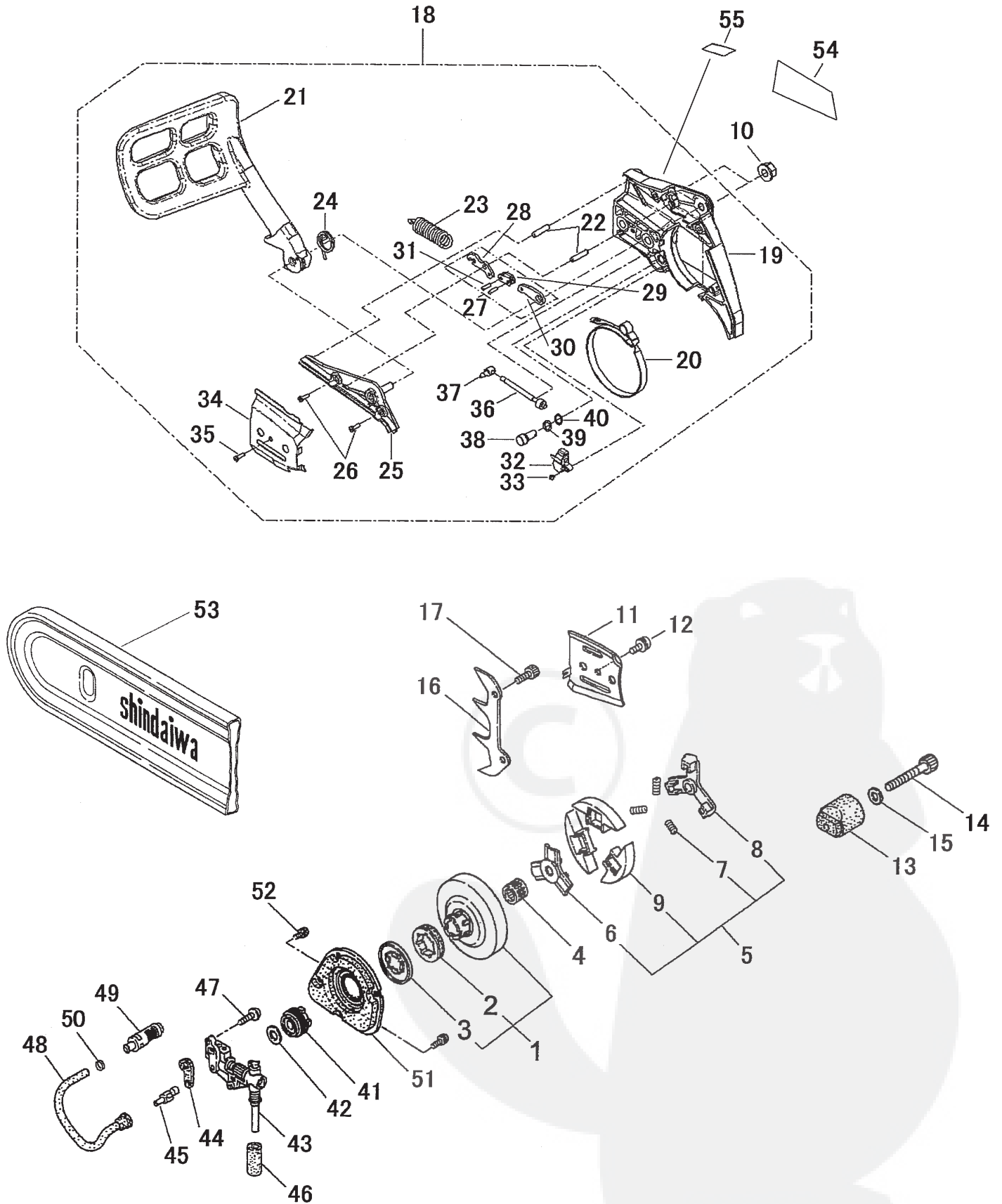
Ref. No	Part No.	Part Name	Q'ty
3- 1	69020-31111	CYLINDER COVER	1
2	22160-31120	PLUG	1
3	22160-31150	BOLT SW	3
4	69020-32111	FRONT HANDLE	1
5	22160-32210	SCREW PC	2
6	22160-32220	SCREW PC	2
7	69020-32020	REAR HANDLE ASSEMBLY	1
8	39309-32240	*THROTTLE LEVER	1
9	22160-33360	*LOCK LEVER	1
10	22160-33370	*SPRING LEVER	1
11	22160-33380	*BOLT LEVER	1
12	12420-40255	*SPRING PIN	1
13	39309-32040	*CAP ASSEMBLY	1
14	39309-32270	**GASKET	1
15	39309-32330	*PIPE	1
16	22197-33960	*VALVE	1

Ref. No	Part No.	Part Name	Q'ty
17	20020-85540	*CLIP	1
18	39309-32340	*FUEL PIPE	1
19	22115-85401	*FUEL FILTER SUB ASSEMBLY	1
20	22128-85421	**FILTER	2
21	22118-85460	**SCREEN	2
22	20020-85540	**CLIP	1
23	22160-33710	CUSHION27	3
24	22160-33720	PLUG27	5
25	22160-33770	STOPPER BOLT	5
26	22160-97810	CUSHION27	2
27	69020-82131	CLEANER COVER	1
28	69020-82360	KNOB	1
29	19402-00307	LABEL CAUTION	1
31	19401-00094	LABEL INST	1
32	19426-00016	LABEL MARK	1



CLUTCH ASSEMBLY / DRUM / COVER

ILLUSTRATION 5 - REV 4/07



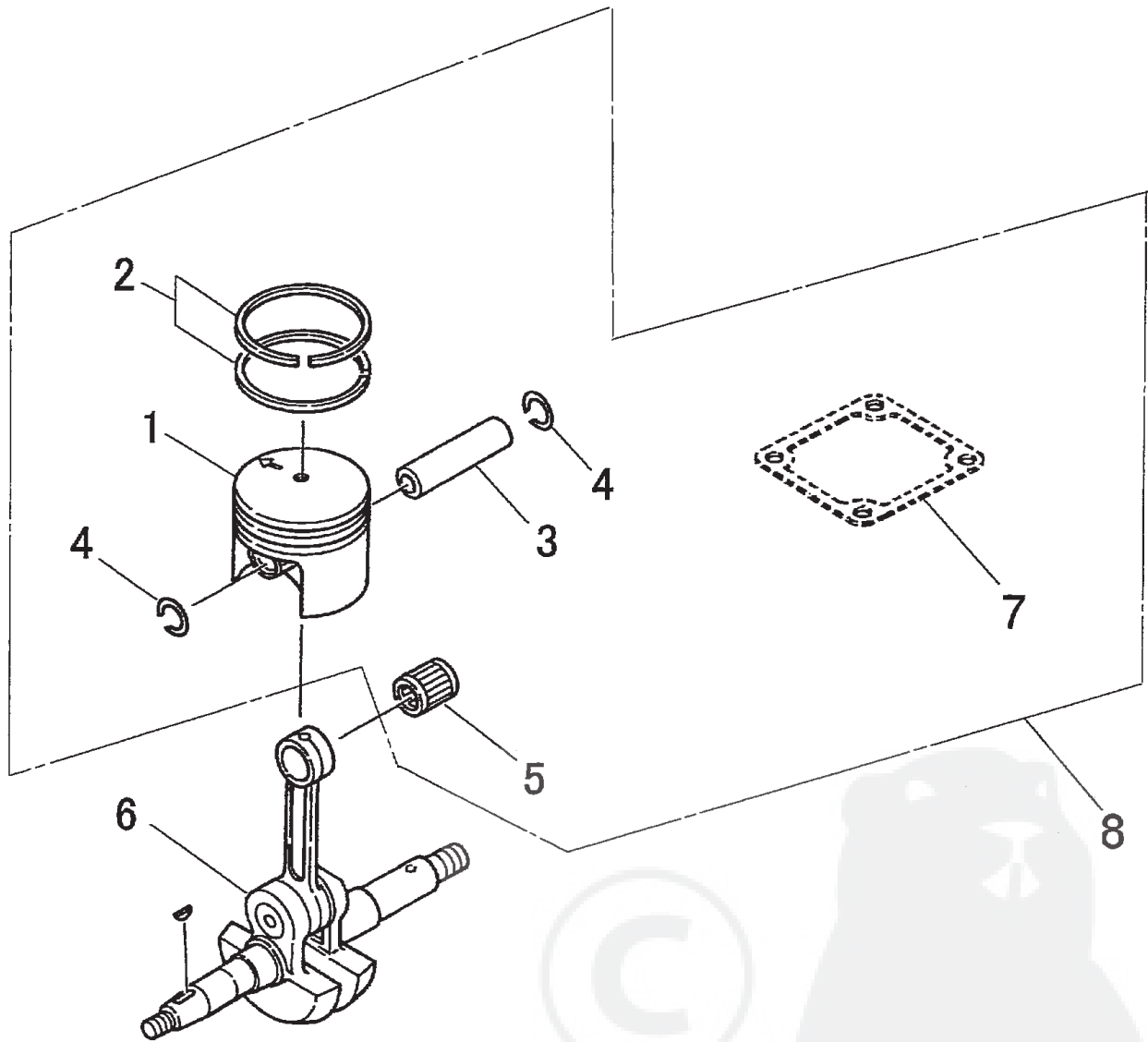
CLUTCH ASSEMBLY / DRUM / COVER

ILLUSTRATION 5 - REV 4/07

Ref. No	Part No.	Part Name	Q'ty
5-1	22160-51501	CLUTCH DRUM ASSEMBLY	1
2	22131-98120	*RIM	1
3	22160-51530	*COVER	1
4	22100-51310	NEEDLE BEARING	1
5	22160-51200	CLUTCH ASSEMBLY	1
6	22160-51210	*CLUTCH BOSS A	1
7	22160-51230	*CLUTCH SPRING	3
8	22160-51240	*CLUTCH BOSS B	1
9	22160-51220	*CLUTCH SHOE	3
10	22182-52411	NUT	2
11	22160-97630	GUIDE PLATE C	1
12	22173-56150	SCREW	1
13	22160-52511	CHAIN CATCHER	1
14	22155-12190	BOLT	1
15	01611-05100	WASHER	1
16	22160-52530	SPIKE	1
17	22157-15330	BOLT	2
18	69020-53010	CLUTCH COVER ASSEMBLY	1
19	69020-53111	*CLUTCH COVER	1
20	69020-53211	*BRAKE BAND	1
21	69020-53221	*LEVER	1
22	12492-50210	*ROLLER	2
23	17510-16000	:COIL SPRING	1
24	17520-20000	*COIL SPRING	1
25	69020-53351	*COVER	1
26	01280-05142	*SCREW TAPPING	2
27	69020-53360	*LINK COMP	1
28	69020-53311	**INNER LEVER	1
29	69020-53321	**TIE STRAP	1
30	69020-53331	**LINK	1
31	12492-30110	**ROLLER	2
32	69020-52321	*COVER	1
33	01270-03122	*SCREW TAPPING	1
34	69020-53121	*GUIDE PLATE	1
35	22188-54120	*SCREW TAPPING	1
36	69020-52111	*SLIDE SCREW	1
37	69020-52121	*SLIDE PIECE	1
38	69020-52311	*GEAR	1
39	02304-00702	*O-RING	1
40	11620-10002	*WASHER	1
41	22154-55110	GEAR	1
42	22154-55120	THRUST PLATE	1
43	22160-55200	OIL PUMP ASSEMBLY	1
44	22150-55411	GASKET PUMP	1
45	22160-55420	ELBOW	1
46	22155-55430	FILTER	1
47	11205-04160	SCREW PM	2
48	22160-55310	OIL PIPE	1
49	22169-57360	OIL FILTER	1
50	22100-57370	CRIP OIL FILTER	1
51	72317-56100	PUMP COVER SUB ASSEMBLY	1
52	22160-56150	SCREW PMSW	4
53	19600-69900	CHAIN COVER	1
54	69020-91330	LABEL TRADE	1
55	19401-00093	LABEL INST	1

CRANKSHAFT / PISTON

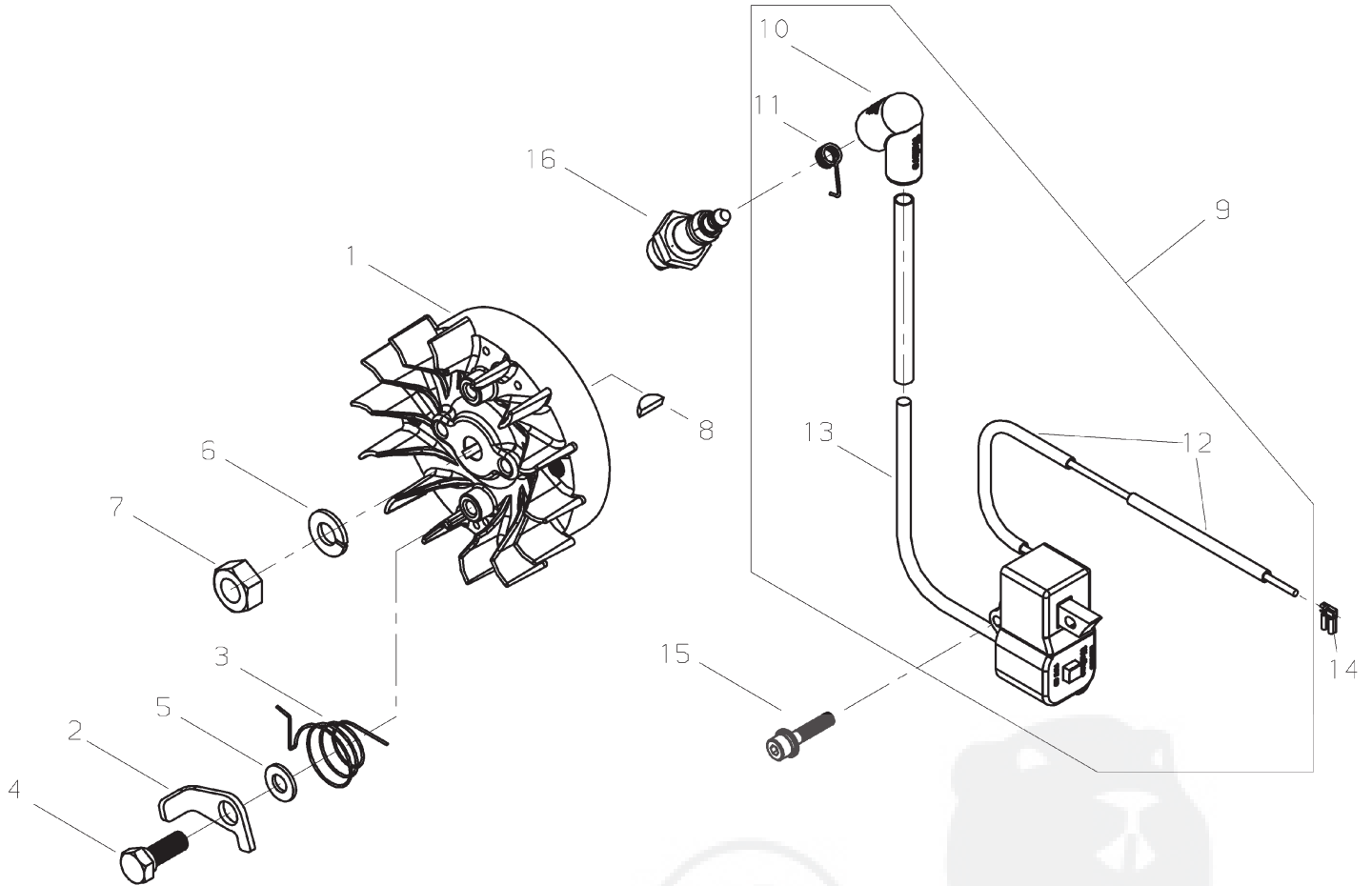
ILLUSTRATION 4 - REV 4/07



Ref. No	Part No.	Part Name	Q'ty
4- 8	72365-98011	PISTON SET	1
1	22157-41112	*PISTON	1
2	22157-41210	*PISTON RING	2
3	22157-41220	*PISTON PIN	1
4	22100-41230	*SNAP RING	2
5	22160-41240	*BEARING SE	1
7	22160-12121	*GASKET CYLINDER	1
6	22160-42002	CRANKSHAFT	1

ROTOR / COIL ASSEMBLY

ILLUSTRATION 6 - REV 4/07

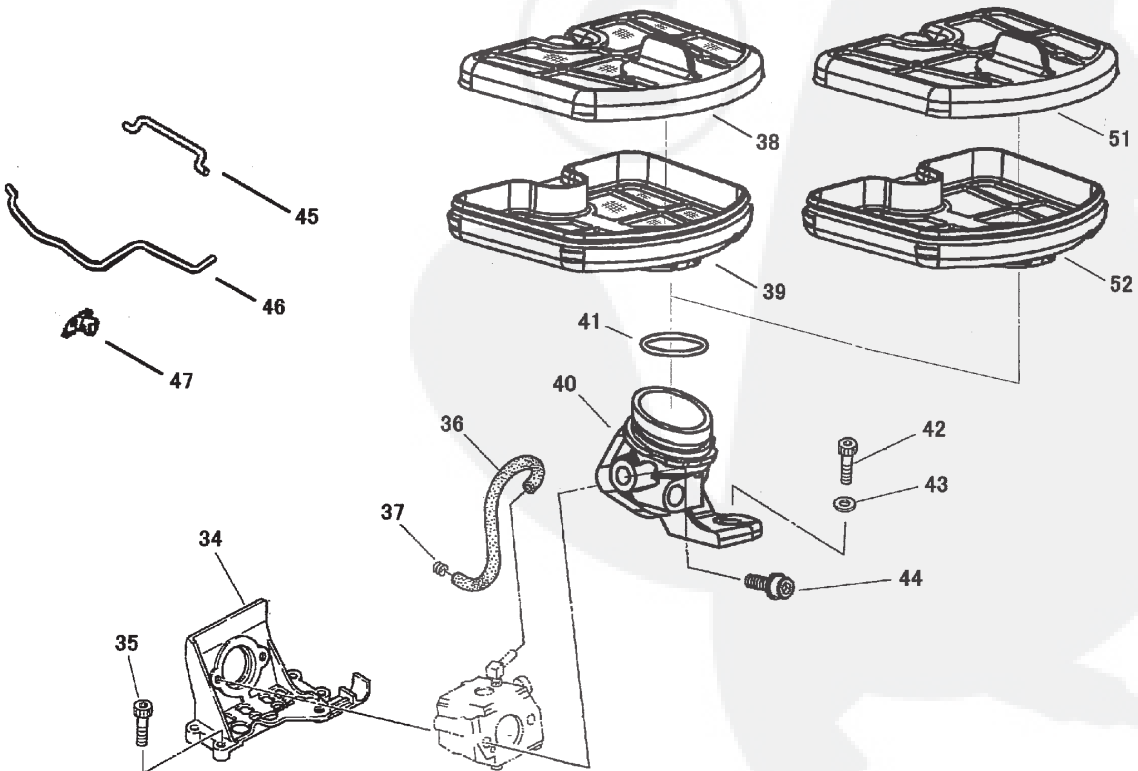
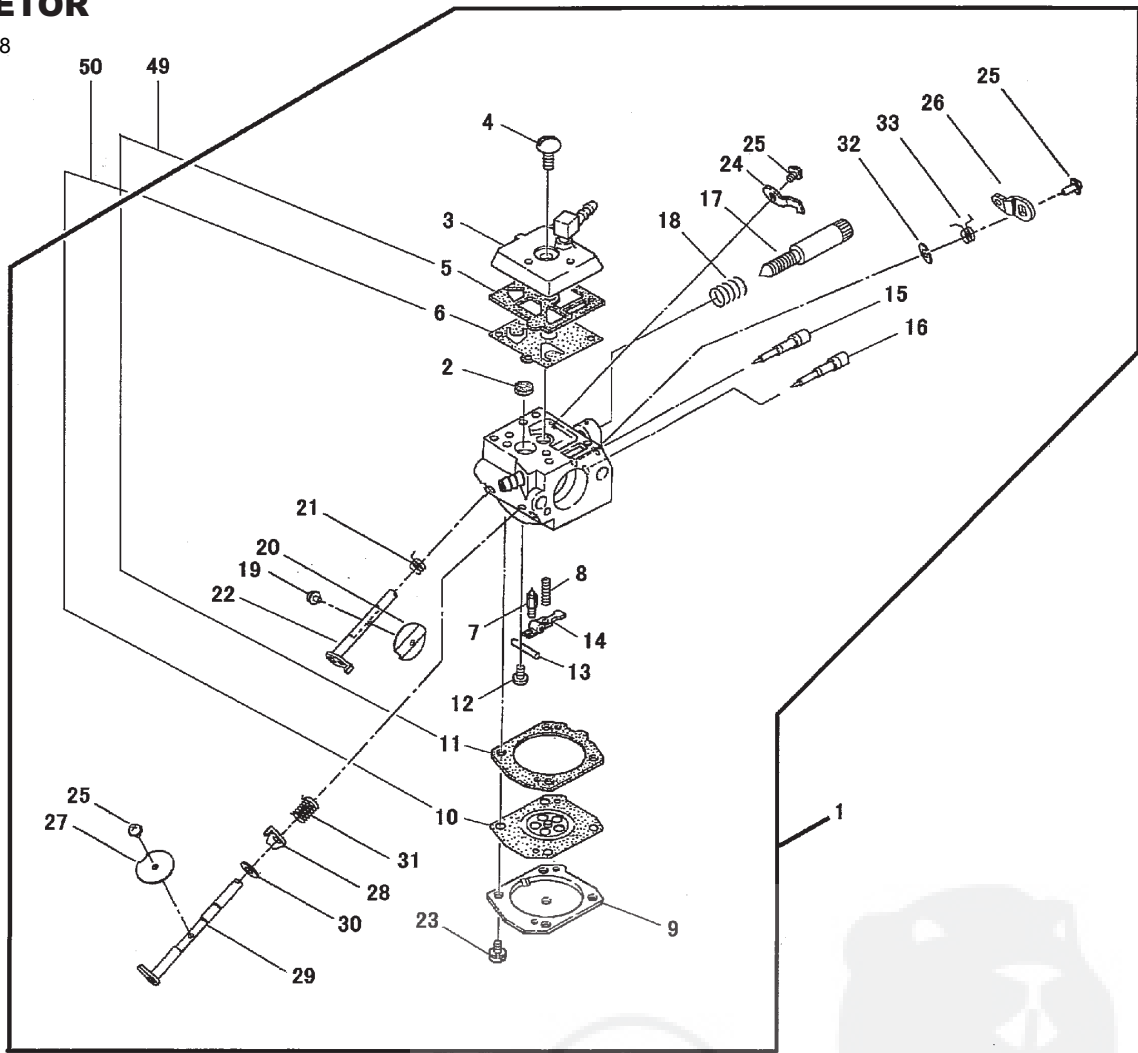


Ref. No	Part No.	Part Name	Q'ty
6- 1	69020-71111	ROTOR	1
2	22182-71412	RATCHET	2
3	22182-71421	SPRING RATCHET	2
4	22182-71440	BOLT	2
5	22182-71430	WASHER	2
6	01600-08201	SPRING WASHER	1
7	22100-43231	NUT	1
8	12408-03100	KEY	1
9	69020-71021	COIL ASSEMBLY	1
10	62905-71250	*PLUG CAP	1
11	69020-71320	*COIL SPRING	1
12	69020-71331	*TUBE	2
13	69020-71340	*TUBE	1
14	69020-98340	CONNECTOR	1
15	11024-04200	BOLT SW	2
16	13000-13507	SPARKPLUGBPMR7A	1

* Denotes item is part of an assembly ** Denotes item is part of a sub-assembly

CARBURETOR

ILLUSTRATION 8
REV 4/07



CARBURETOR

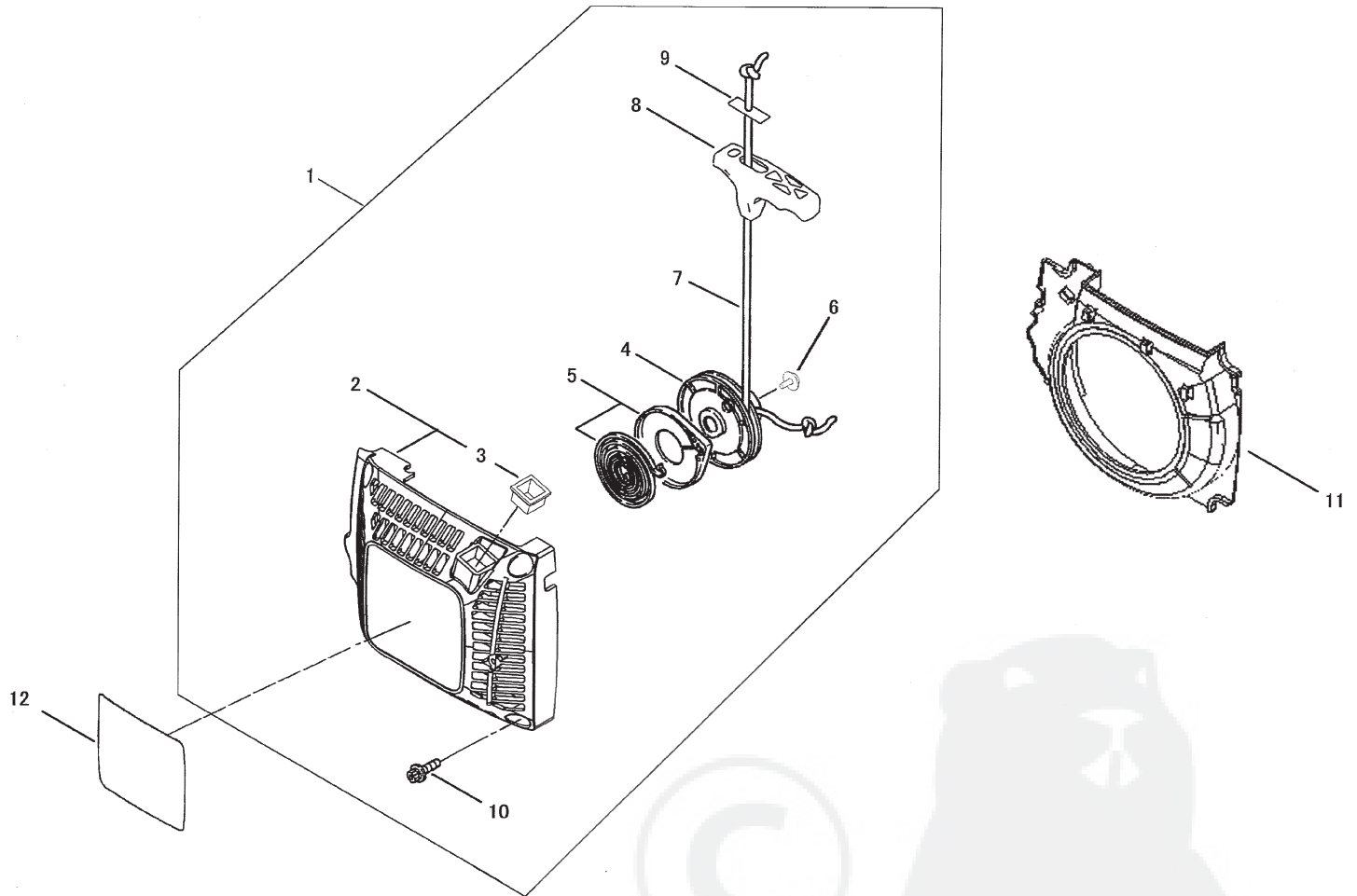
ILLUSTRATION 8 - REV 4/07

Ref. No	Part No.	Part Name	Q'ty
8- 1	69020-81010	CARBURETOR ASSEMBLY	1
2	70030-81380	*SCREEN	1
3	72365-81120	*PUMP COVER ASSEMBLY	1
4	22100-81130	*SCREW	1
5	22150-81140	*GASKET PUMP	1
6	22150-81150	*DIAPHRAGM PUMP	1
7	20036-81440	*NEEDLE VALVE	1
8	72342-81270	*SPRING LEVER	1
9	22150-81280	*COVER DIAPHRAGM	1
10	22150-81260	*DIAPHRAGM ASSEMBLY	1
11	22150-81290	*GASKET DIAPHRAGM	1
12	22100-81240	*SCREW	1
13	22100-81250	*PIN	1
14	22160-81230	*LEVER	1
15	69022-81320	*NEEDLE	1
16	69020-81320	*NEEDLE	1
17	22156-81410	*IDLE SCREW	1
18	22156-81420	*SPRING IDLE	1
19	20803-81140	*SCREW	1
20	22100-81340	*THROTTLE VALVE	1
21	22150-81430	*RETURN SPRING	1
22	39309-81320	*THROTTLE SHAFT	1
23	22100-81351	*SCREW	4
24	22160-81390	*STOPPER	1
25	20803-81150	*SCREW	3
26	69020-81330	*CHOKE LEVER	1

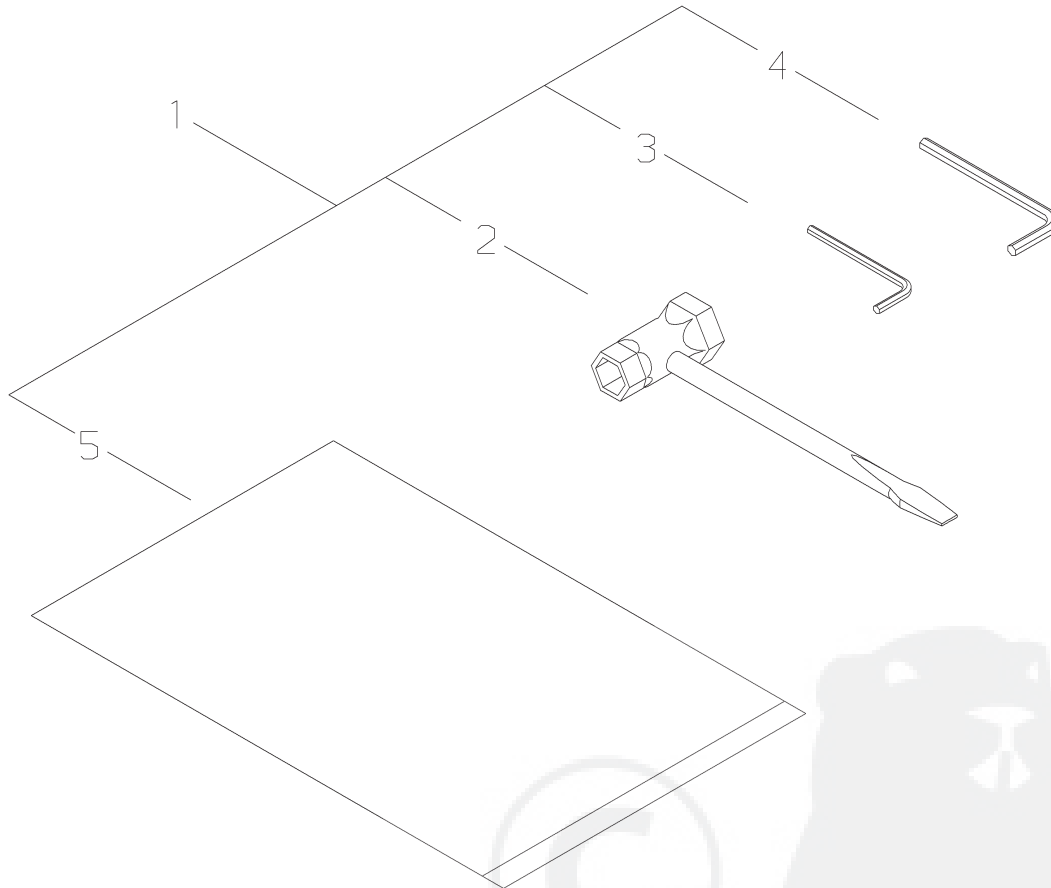
Ref. No	Part No.	Part Name	Q'ty
27	22160-81710	*CHOKE VALVE	1
28	39309-81350	*LEVER	1
29	39309-81340	*CHOKE SHAFT	1
30	20036-81185	*WASHER	1
31	69020-81340	*COIL SPRING	1
32	70030-81390	*E-RING	1
33	69020-81350	*COIL SPRING	1
34	22160-82111	MOUNT	1
35	11024-04160	BOLT SLPW	4
36	22160-82210	PULSE PIPE	1
37	22150-82140	CLIP PULSE	1
38	69020-82321	AIR CLEANER UPPER	1
39	69020-82331	AIR CLEANER LOWER	1
40	69020-82341	ELBOW	1
41	69020-82370	O-RING	1
42	22157-12130	BOLT	1
43	01613-05080	WASHER	1
44	11022-05500	BOLT SPW	2
45	69020-83311	CHOKE ROD	1
46	39309-83331	THROTTLE ROD	1
47	22160-82360	GROMMET ROD	1
49	22150-81930	GASKET KIT	1
50	22150-81940	DIAPHRAGM KIT	1
51	69020-98321	AIR CLEANER UPPER	1
52	69020-98331	AIR CLEANER LOWER	1

RECOIL STARTER

ILLUSTRATION 7 - REV 4/07



Ref. No	Part No.	Part Name	Q'ty
7- 1	69020-75012	RECOIL STARTER ASSEMBLY	1
2	69020-75111	*STARTER CASE	1
3	22182-75120	**GUIDE	1
4	22182-75212	*REEL	1
5	22155-75410	*RECOIL SPRING ASSEMBLY	1
6	72320-75420	*SCREW TAPPING	1
7	22182-75410	*ROPE	1
8	22182-75420	*KNOB RECOIL	1
9	22104-75430	*STOPPER KNOB	1
10	11060-04163	*BOLT ADHESIVE	4
11	22160-75613	AIR PLATE	1
12	69020-91321	LABEL TRADE	1



Ref. No	Part No.	Part Name	Q'ty
9- 1	69023-92310	TOOL SET	1
2	22102-91410	*PLUG WRENCH	1
3	09026-03001	*HEXAWRENCH4MM	1
4	09026-04001	*HEXAWRENCH5MM	1
5	19639-01100	*POLYBAG	1

* Denotes item is part of an assembly ** Denotes item is part of a sub-assembly



shindaiwa

www.shindaiwa.com

11975 SW Herman Road, Tualatin, Oregon 97062, U.S.A.

1 + 503.692.3070 • fax 1 + 503.692.6696 •

Item #xxxx Effective 04/07