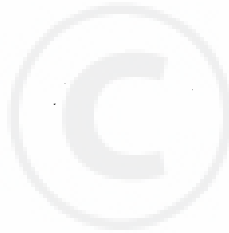


PARTS PRICE LIST

---

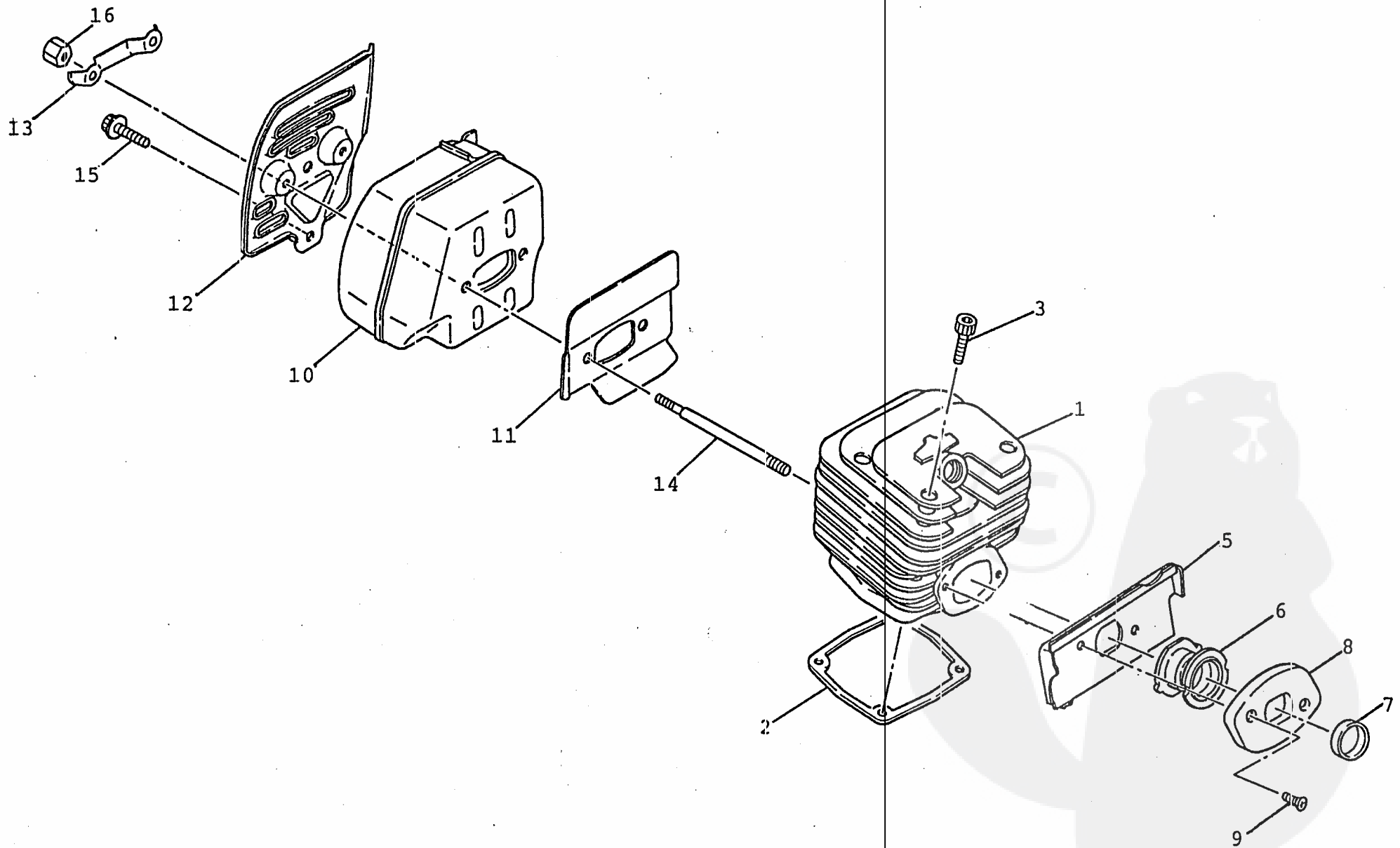
SHINDAIWA

Model: 695



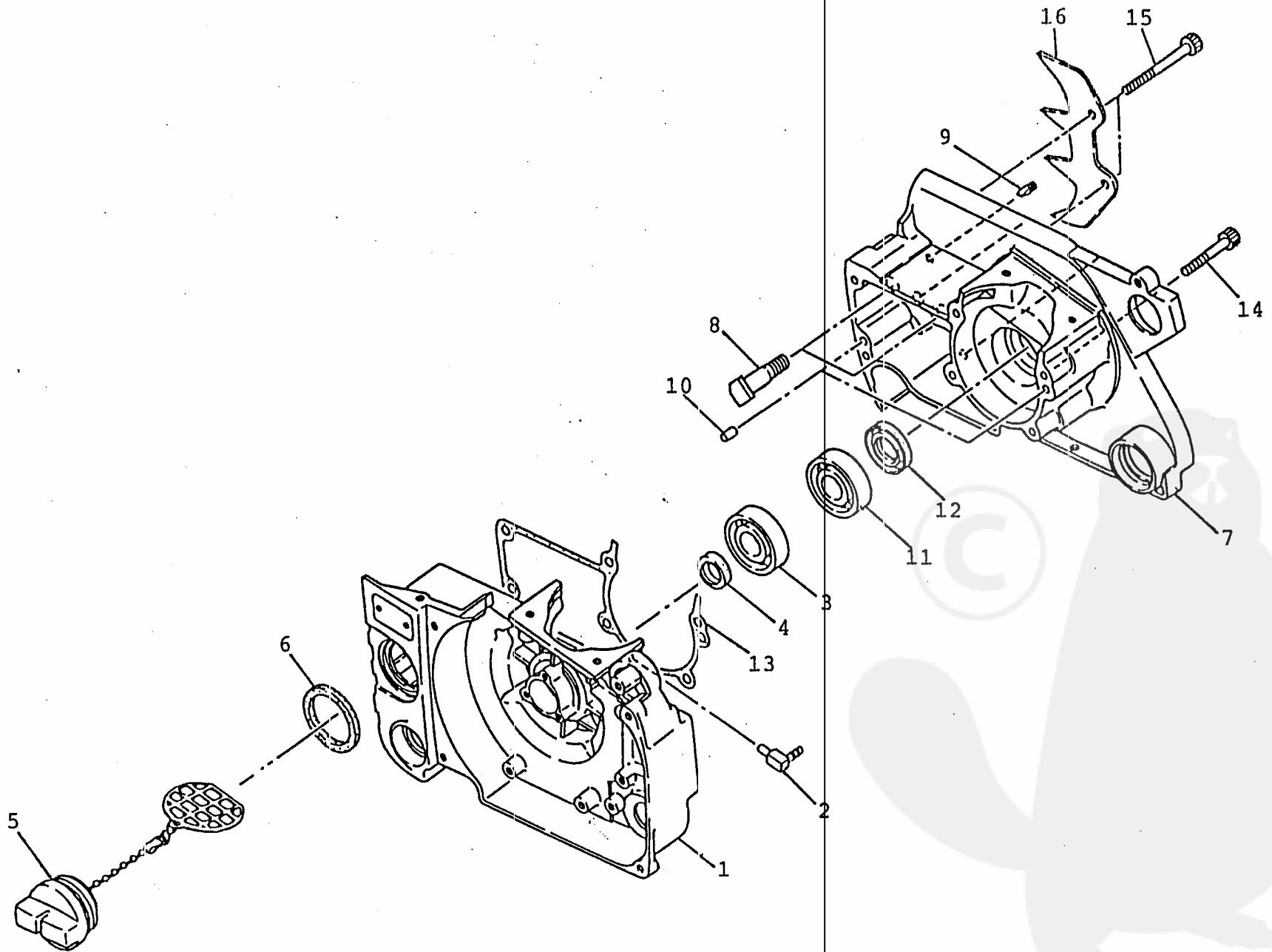
Shin-Daiwa Kogyo Co., Ltd.

SEP. 9TH, 1988



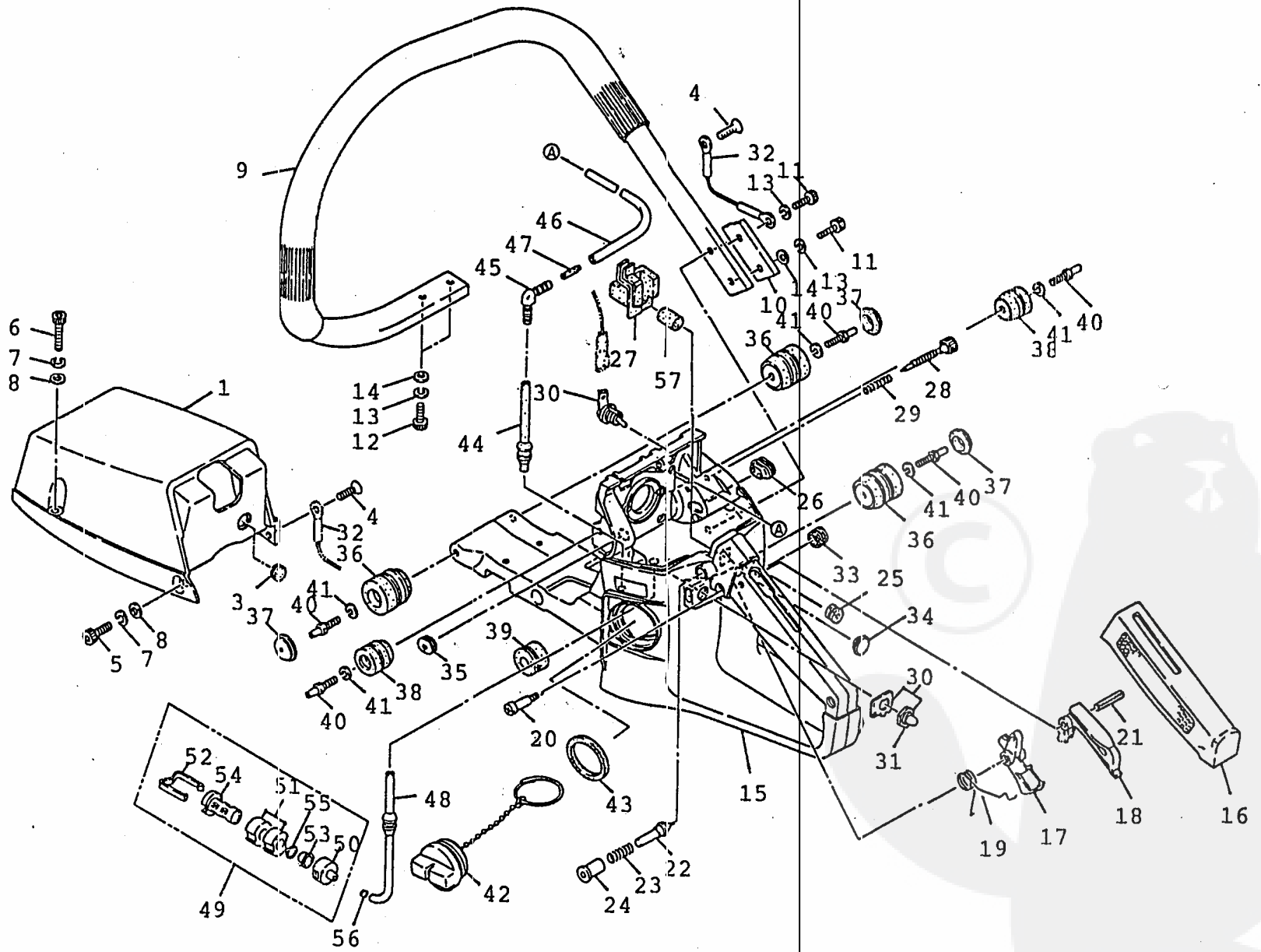
1. CYLINDER  
MUFFLER





2. CRANKCASE



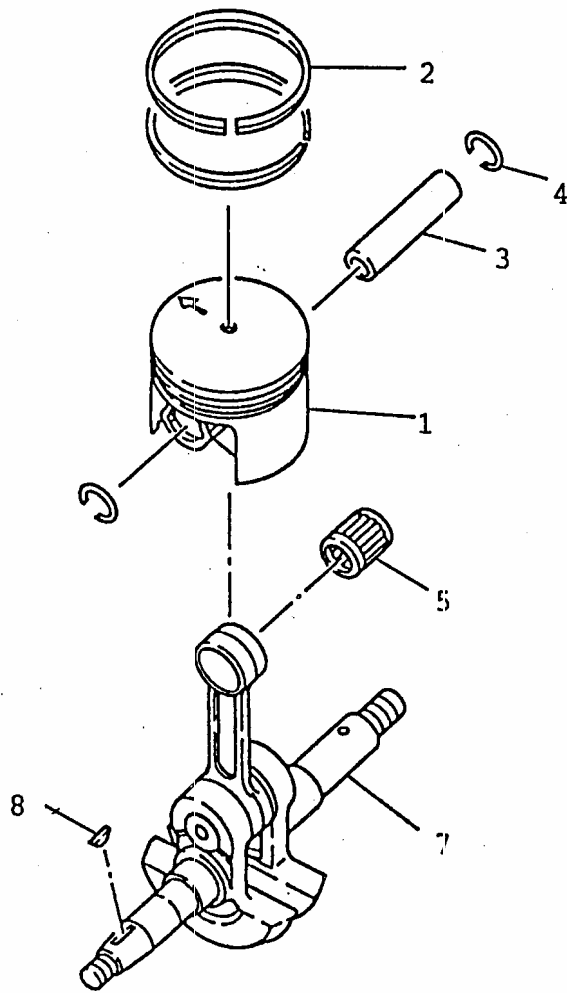


3. HANDLE

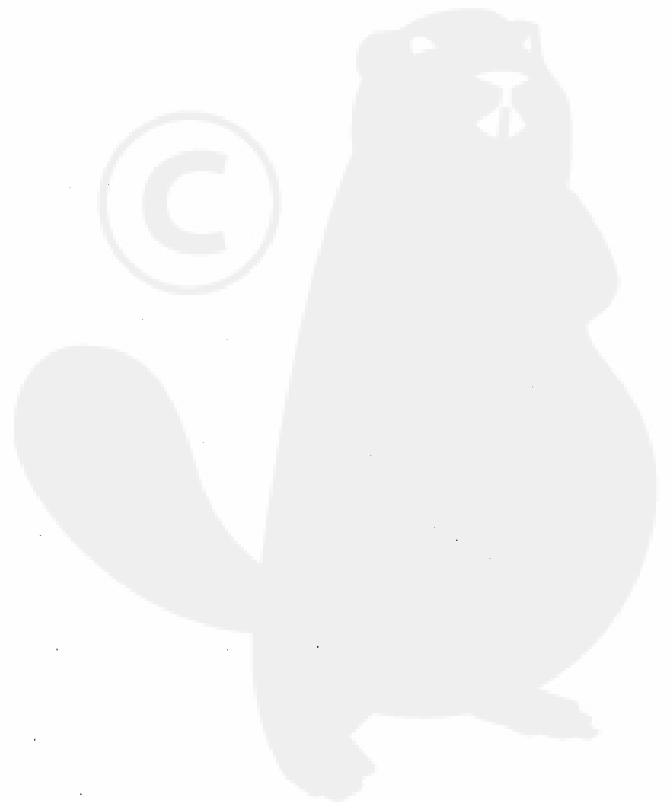
Ref. No	Part No.	Part Name	Q'ty	Remarks
3- 1	22155-31110	COVER	1	
3	22102-32140	PLUG BRACKET	1	
4	22155-31310	SCREW	1	
5	01020-05160	BOLT	1	
6	01020-05250	BOLT	1	
7	01600-05131	SPRING WASHER	2	
8	01610-05080	WASHER	2	
9	22150-32112	FRONT HANDLE	1	
10	22150-32120	BRACKET	1	
11	22155-32190	BOLT	2	
12	01020-05160	BOLT	2	
13	01600-05131	SPRING WASHER	4	
14	01610-05080	WASHER	3	
	22150-33101	REARHANDLE-SA	1	
15	22150-33201	• REAR HANDLE-C	1	
16	22150-33310	• GRIP,HANDLE	1	
17	22150-33321	• THROTTLE LEVER	1	
18	22150-33331	• LOCK LEVER	1	
19	22150-33340	• SPRING LEVER	1	
20	22150-33360	• BOLT,LEVER	1	
21	02427-50225	• SPRING PIN	1	
22	72171-33170	• STOPPER	1	
23	22100-33180	• SPRING	1	
24	22100-33190	• KNOB STOPPER	1	
25	22150-33410	GROMMET,CHOK	1	
26	22150-33420	GROMMET,CARB	1	
27	22150-33430	GROMMET,ROD	1	
28	22155-33450	ADJUST SCREW	1	
29	22155-33460	SPRING ADJUST	1	
30	22155-33501	SWITCH-A	1	
31	22155-33530	• NUT	1	
32	22150-33610	EARTH CORD	1	
33	72930-12150	GROMMET,A	1	
34	22150-33630	PLUG	1	
35	22150-33640	GROMMET	1	
36	22155-33710	CUSHION 26	3	
37	22150-33720	PLUG,(26)	3	
38	72230-33730	CUSHION 22	2	



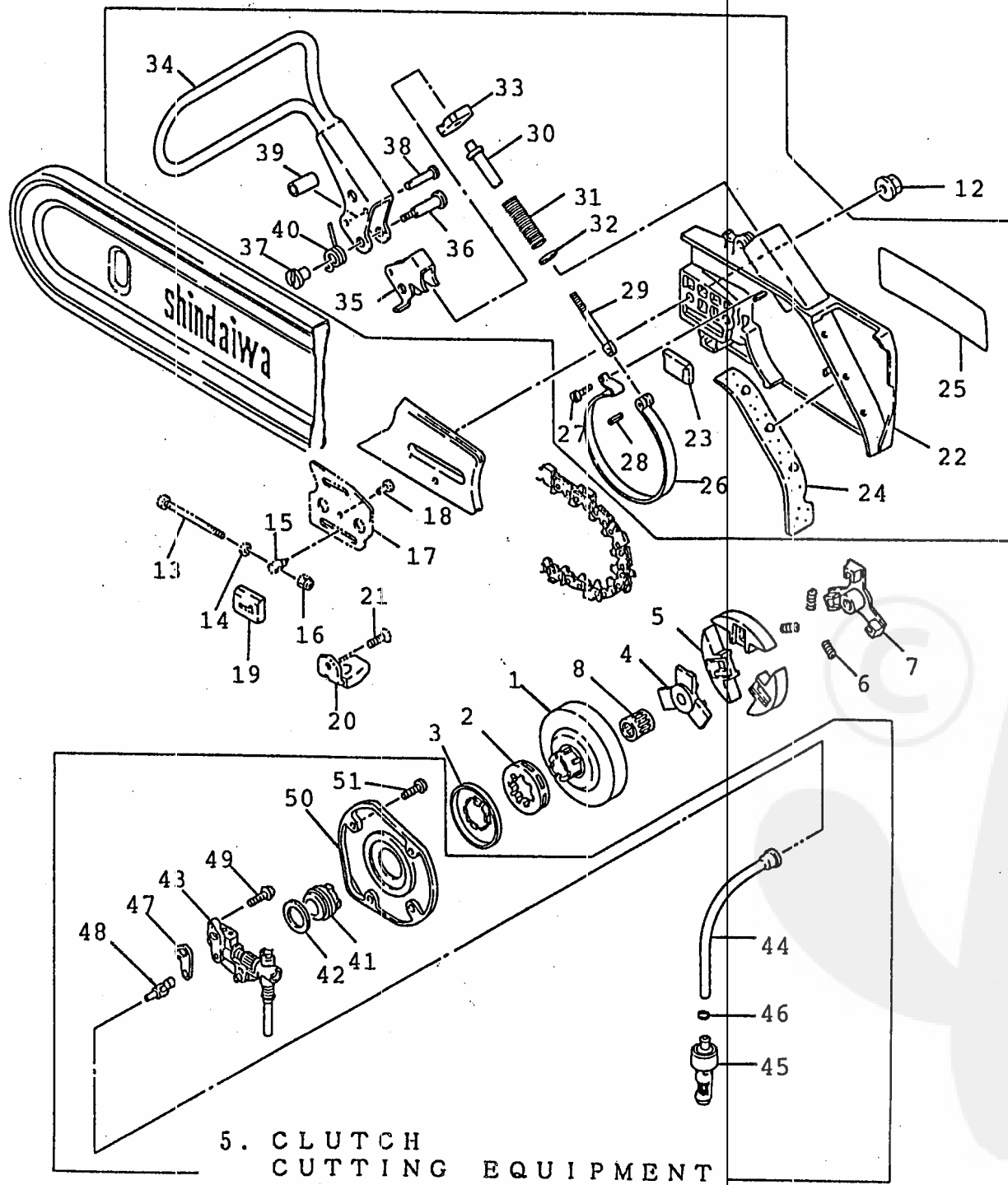




4. PISTON  
CRANKSHAFT



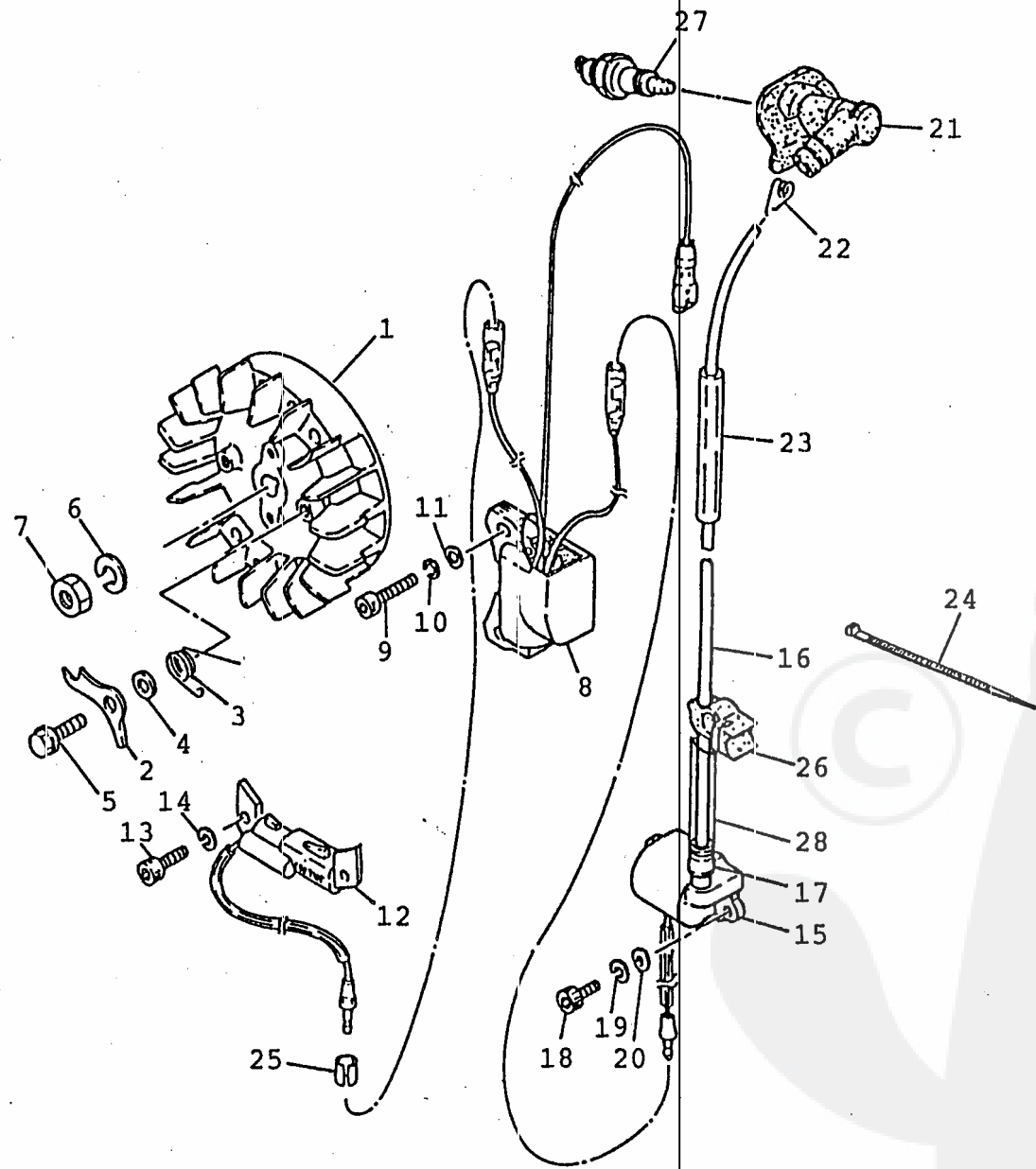




5. CLUTCH CUTTING EQUIPMENT

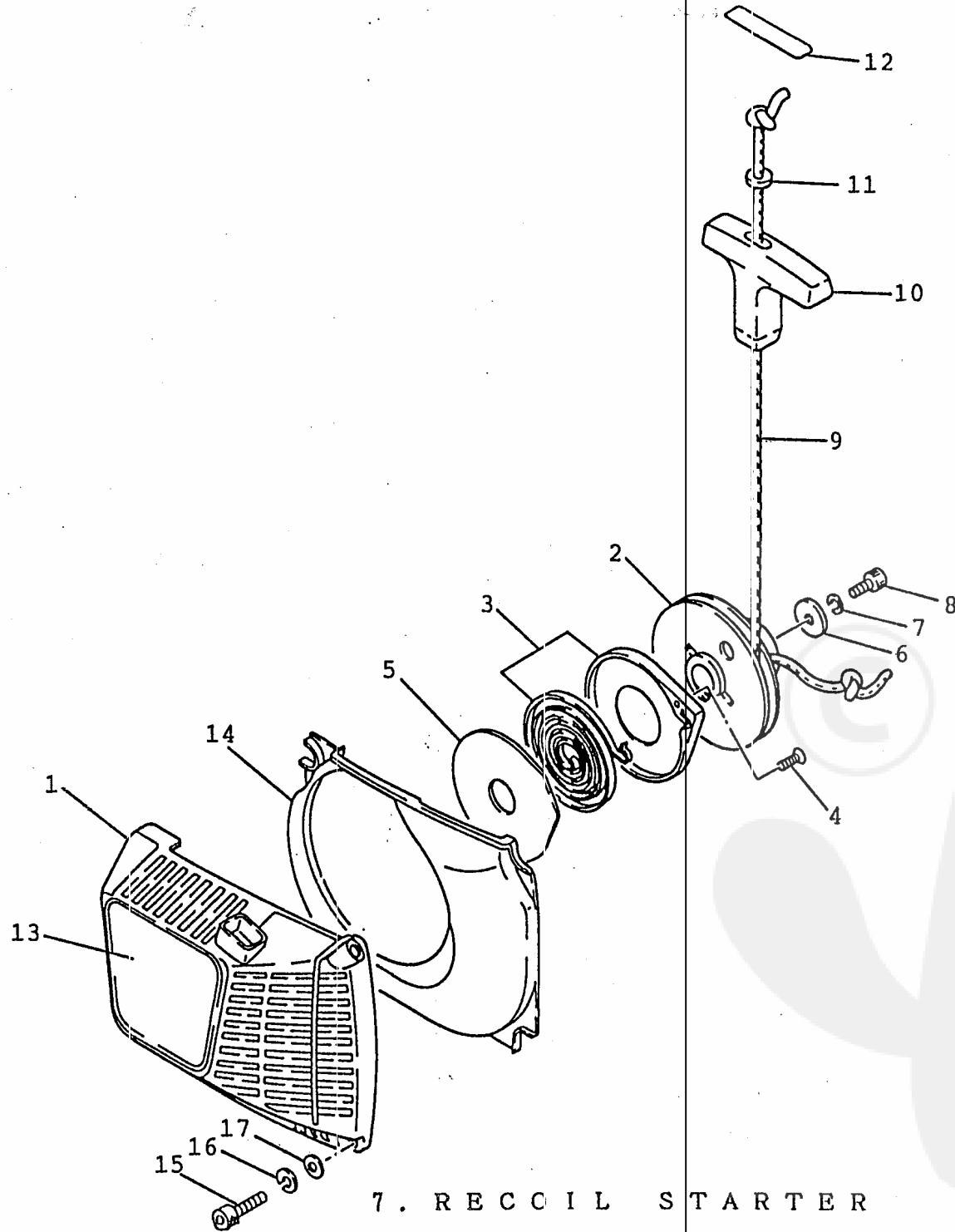
Ref. No	Part No.	Part Name	Q'ty	Remarks
5-	22155-51500	CLUTCH DRUM-A	1	
1	22150-51510	CLUTCH DRUM	1	
2	22150-51520	• RIM	1	
3	22155-51530	• COVER	1	
52	22155-51550	FILTER B	1	
	22155-51200	CLUTCH-A	1	
4	22155-51210	• CLUTCH BOSS A	1	
5	22155-51220	• CLUTCH SHOE	3	
6	22150-51230	• CLUTCH SPRING	3	
7	22155-51240	• CLUTCH BOSS B	1	
8	22150-51310	BEARING	1	
9	72268-52720	GUIDE BAR (18")	1	
10	18039-00640	SAW CHAINE (73LG-64E)	1	
11	22150-52310	PROTECTOR	1	
12	22150-52411	NUT	2	
13	22155-53310	SLIDE SCREW	1	
14	01610-05080	WASHER	1	
15	22150-52440	SLIDE PIECE	1	
16	22100-53330	LOCK NUT	1	
17	22150-52460	MOUNT GUARD	1	
18	11205-04100	SCREW-PM	1	
19	22150-52470	CHAIN PAT	1	
20	22155-52510	CHAIN CATCHER	1	
21	01201-05120	SCREW	1	
	72282-54000	BRAKE ASSY	1	
	72282-54900	CLUTCH COVER SUB ASSY	1	
	22155-54100	• CLUTCH COVER-SA	1	
22	22150-54111	• COVER	1	
23	22150-52470	• CHAIN PAT	1	
24	22150-54160	• PROTECTOR	1	
25	72282-54140	• NAME PLATE-C	1	
26	22150-54211	• BRAKE BAND	1	
27	22120-54220	• BOLT BAND	1	
28	02427-40125	• PIN	1	
29	22150-54311	• ADJUST ROD	1	
30	22150-54320	• ADJUST SCREW	1	
31	22150-54330	• BREAK SPRING	1	
32	22150-54340	• WASHER	1	





6. MAGNETO

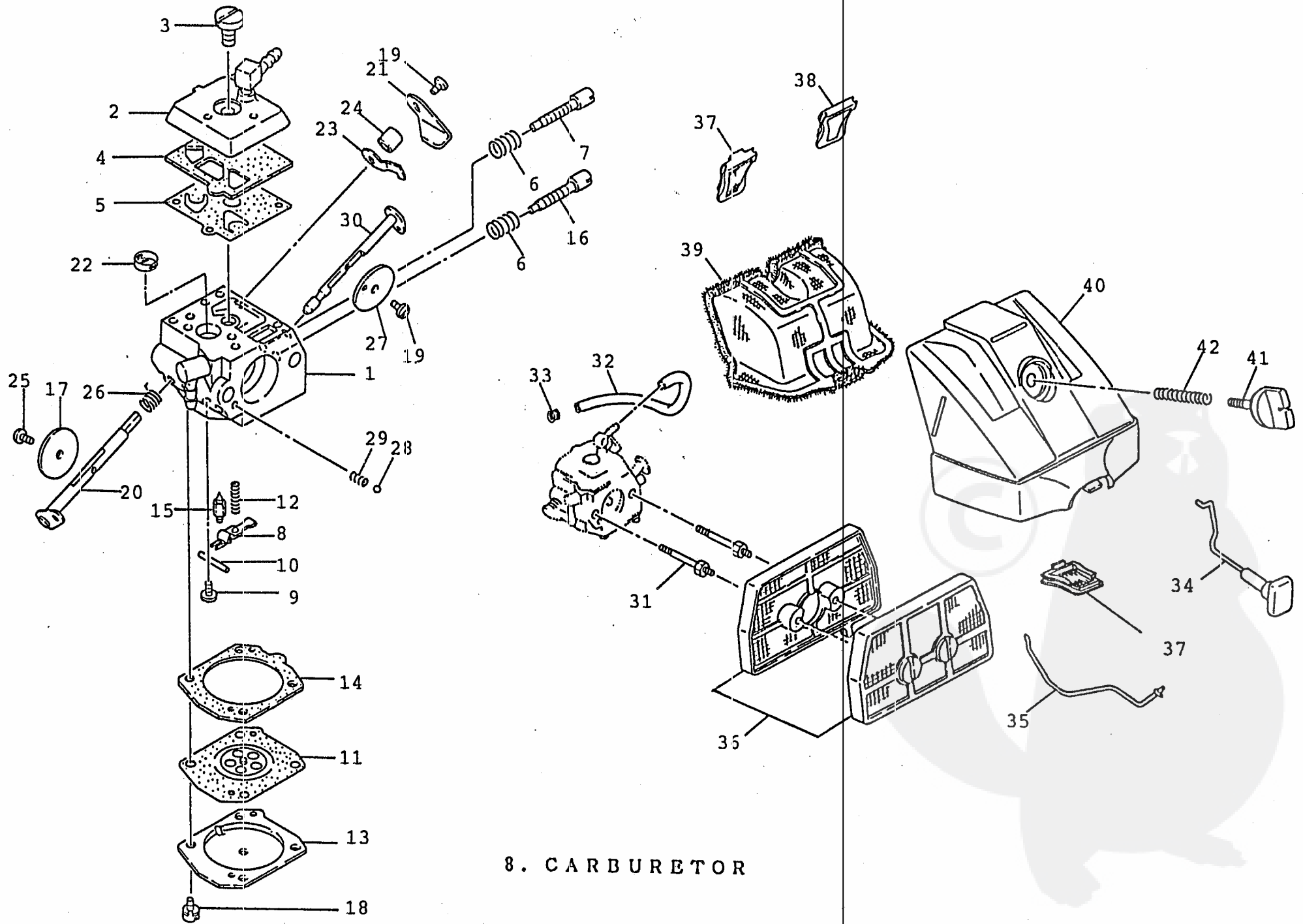




7. RECCIL STARTER



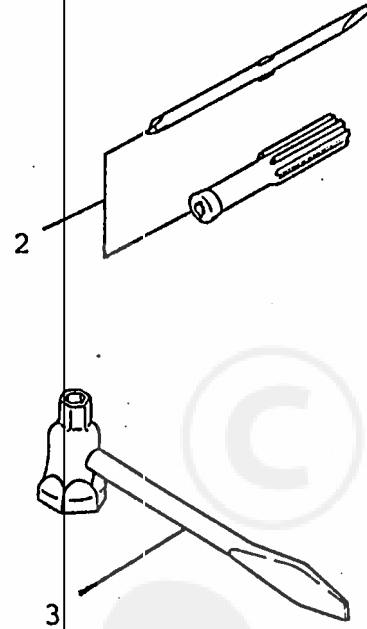
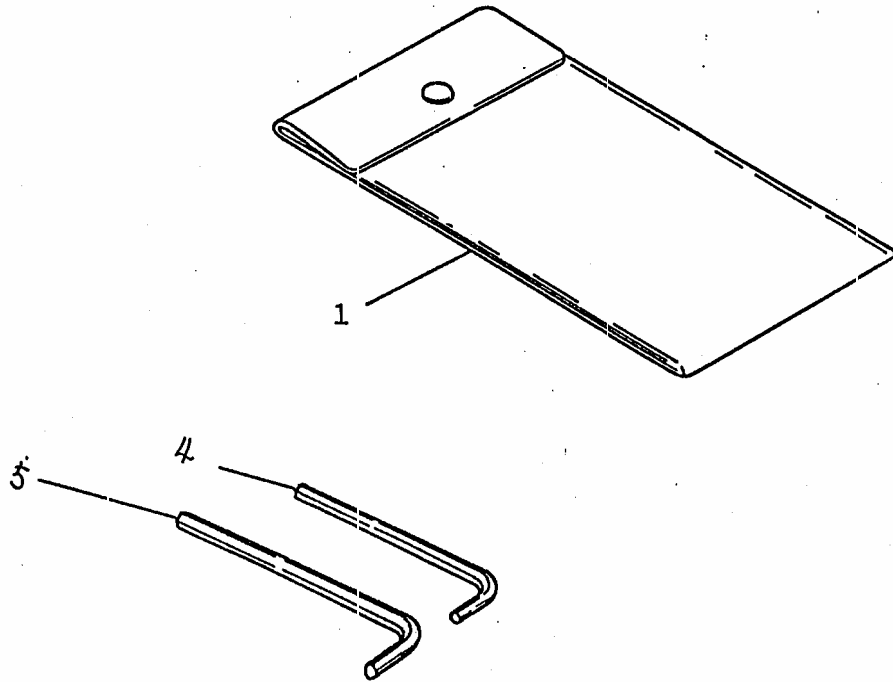




8. CARBURETOR

Ref. No	Part No.	Part Name	Q'ty	Remarks
8-	22150-81001	CARBURETOR-A	1	
1	22150-81110	• BODY-A	1	
2	22150-81120	• PUMP COVER-A	1	
3	22150-81130	• SCREW	1	
4	22150-81140	• GASKET	1	
5	22150-81150	• DIAPHRAGM	1	
6	22100-81160	• SPRING L	2	
7	22150-81170	• L,NEEDLE	1	
8	22150-81230	• LEVER	1	
9	22100-81240	• SCREW	1	
10	22100-81250	PIN	1	
11	22150-81260	• DIAPHRAGM-A	1	
12	22150-81270	• SPRING	1	
13	22150-81280	• COVER	1	
14	22150-81290	• GASKET	1	
15	20036-81440	• NEEDLE VALVE	1	
16	22150-81331	• H,NEEDLE	1	
17	22150-81340	• THROTTLE VALVE	1	
18	22100-81351	• SCREW	4	
19	22100-81360	• SCREW	2	
20	22150-81370	• SHAFT-A	1	
21	22150-81380	• THROTTLE LEVER	1	
22	70030-81380	• SCREEN	1	
23	22150-81390	• STOPPER	1	
24	22150-81410	• SPACER	1	
25	22150-81420	• SCREW-A	1	
26	22150-81430	• RETURN SPRING	1	
27	22150-81710	• CHOKE VALVE	1	
28	22150-81720	• BALL	1	
29	22150-81730	• SPRING	1	
30	22150-81740	• SHAFT-A	1	
31	22150-82610	BOLT CARB	2	
32	22155-82111	PULSE PIPE	1	
33	22150-82140	CLIP PIPE	1	
34	22150-82120	CHOKE ROD	1	
35	22150-82130	THROTTLE ROD	1	
36	22150-82301	AIR CLEANER-C	1	
37	22150-82411	SUB CLEANER	2	





9. TOOL

