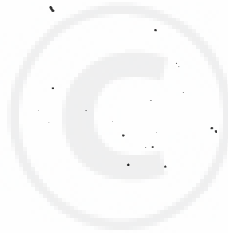


# shindaiwa

## PARTS PRICE LIST

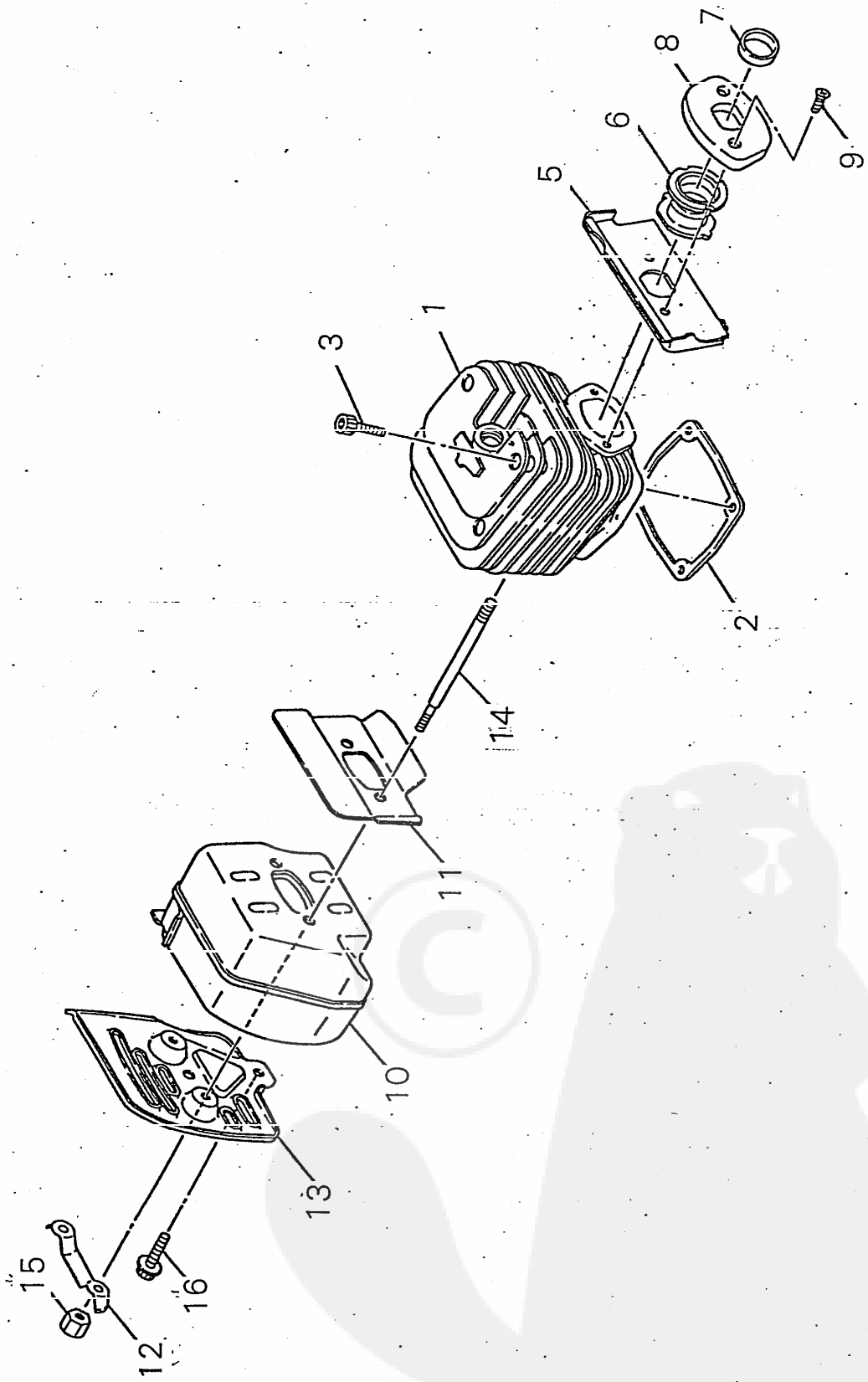
695



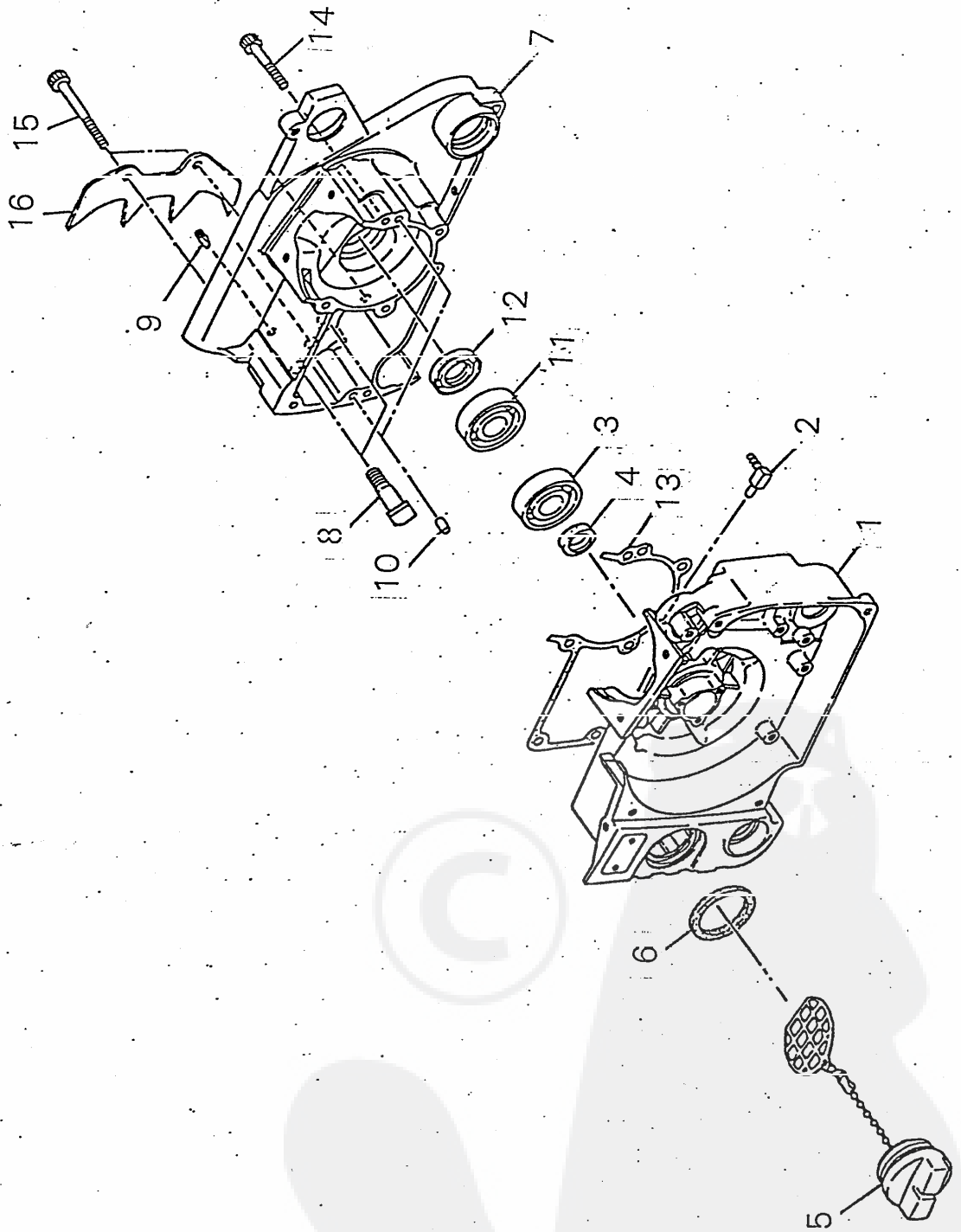
**SHIN-DAIWA Kogyo co., LTD.**

35, Ooaza Shin-Ujigami, Chiyoda-cho Yamagata-gun, Hiroshima, 731-14 Japan  
Telephone (082672) 6011 Telex 665871 SDKHIR Fax (082672) 6001, 6002  
Cable Address SHINDAIWA HIROSHIMA

MAY. 20. 1991





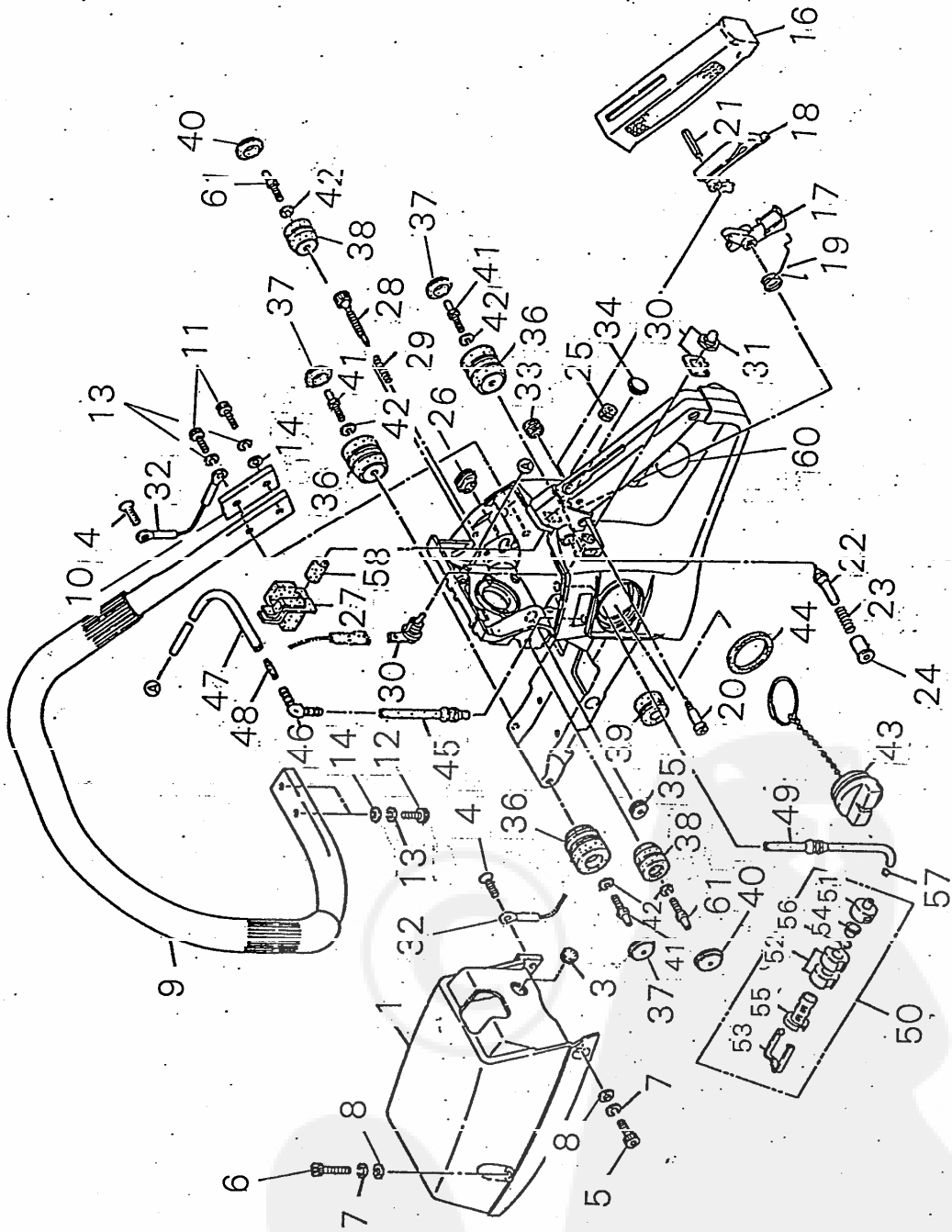


PRICE: (ST)

Ref. No	Part No.	Part Name	Q'ty	Remarks
2-	22155-21001	CRANK CASE ASSY	# 1	
	22155-21101	* CRANK CASE M SUB ASSY	# 1	
	22155-21201	** CRANK CASE M COMP	1	
1	22150-21212	∴ CRANK CASE M	1	
2	22150-21220	∴ PULSE JOINT	1	
3	02030-06202	∴ BEARING	1	
4	22155-21250	∴ OIL SEAL	1	
5	22155-21300	** OIL CAP ASSY	1	
6	22150-21340	∴ GASKET	1	
	22155-21500	* CRANK CASE C COMP	1	
7	22150-21511	** CRANK CASE C	1	
8	22150-21521	** BOLT BAR	2	
9	22150-21610	** VALVE OIL	1	
10	20000-21140	** DAWEL PIN	2	
11	02030-06202	** BEARING	1	
12	22155-21630	** OIL SEAL	1	
13	22150-21711	* GASKET CASE	1	
14	01020-05350	* BOLT	4	
15	01020-05500	* BOLT	2	
16	72230-52630	SPIKE	1	

PARTS LIST  
 SHINDAIWA  
 (LI38 LIA0380P)

685/695VK-18



PRICE:(ST)

Ref. No.	Part No.	Part Name	Q'ty	Remarks
3- 1	22155-31110	COVER	1	
3	22102-32140	PLUG BRACKET	1	
4	22155-31310	SCREW	1	
5	01020-05160	BOLT	1	
6	01020-05250	BOLT	1	
7	01600-05131	SPRING WASHER	2	
8	01610-05080	WASHER	2	
9	22150-32112	FRONT HANDLE	1	
10	22150-32120	BRACKET	1	
11	22155-32190	BOLT	2	
12	01020-05160	BOLT	2	
13	01600-05131	SPRING WASHER	4	
14	01610-05080	WASHER	3	
	22150-33101	REAR HANDLE SUB ASSY	1	
16	22150-33310	• GRIP HANDLE	1	
17	22150-33321	• THROTTLE LEVER	1	
18	22150-33331	• LOCK LEVER	1	
19	22150-33340	• SPRING LEVER	1	
20	22150-33360	• BOLT LEVER	1	
21	02427-50225	• SPRING PIN	1	
22	72171-33170	• STOPPER	1	
23	22100-33180	• SPRING	1	
24	22100-33190	• KNOB STOPPER	1	
60	72139-33210	CAUTION PLATE B	1	
25	22150-33410	GROMMET CHOKE	1	
26	22150-33420	GROMMET CARBUERTOR	1	
27	22150-33430	GROMMET ROD	1	
28	22155-33450	ADJUST SCREW	1	
29	22155-33460	SPRING ADJUST	1	
30	22155-33501	SWITCH ASSY	1	
31	22155-33530	• NUT	1	
32	22150-33610	EARTH CORD	1	
33	72930-12150	GROMMET A	1	
34	22150-33630	PLUG	1	
35	22150-33640	GROMMET	1	
36	22155-33710	CUSHION 26	3	
37	22150-33720	PLUG 26	3	
38	72230-33730	CUSHION 22	2	

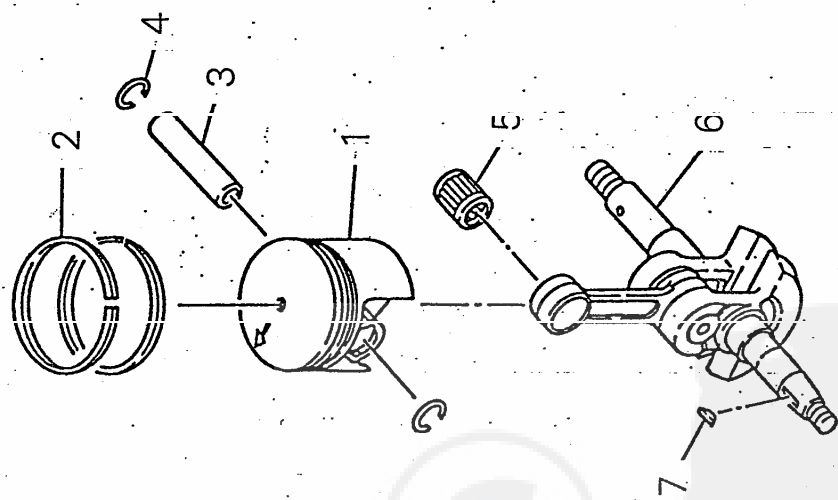
PARTS LIST  
SHINDAIWA  
(LI38 LIA0380P)

695VK-18

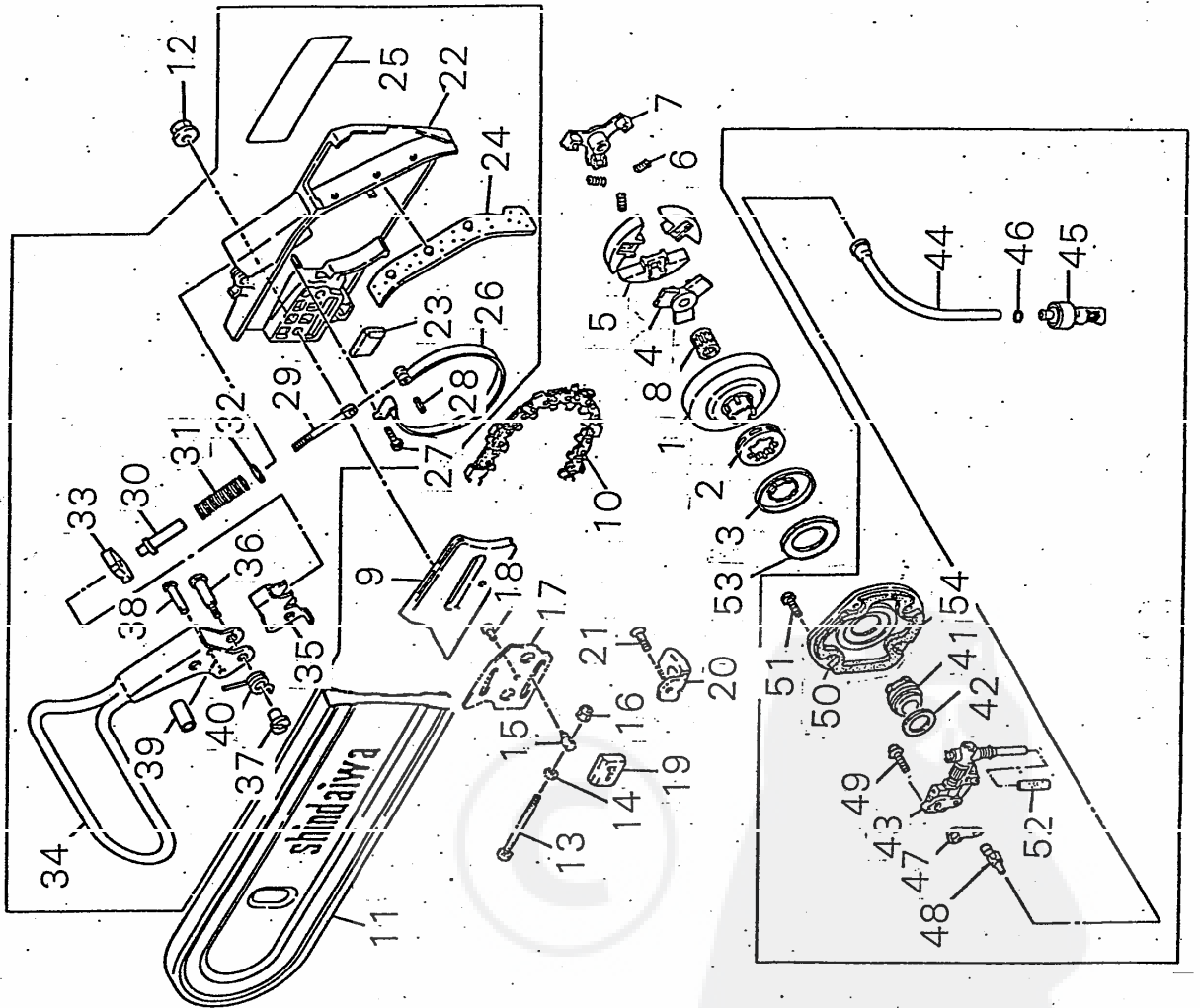
PRICE:(ST)

Ref. No	Part No.	Part Name	Qty	Unit Price	Remarks
3- 39	22150-33750	SUPPORTER	1	210	
40	22150-33740	PLUG 22	2	70	
41	22150-33770	STOPPER BOLT 26	3	190	
61	22150-33761	STOP BOLT 22	2	190	
42	01600-05131	SPRING WASHER	5	10	
43	22155-33801	FUEL CAP ASSY	1	780	
44	22150-21340	* GASKET	1	80	
	22155-33900	BREATHER ASSY	1	1,000	
45	22150-33920	* PIPE	1	200	
	22155-33990	* BREATHER SUB ASSY	1	820	
46	22155-33930	** JOINT	1	300	
47	22150-33940	** PIPE BREATHER	1	240	
48	22155-33950	** ELEMENT	1	260	
	22150-34101	FUEL PIPE ASSY	1	1,950	
49	22150-34110	* FUEL PIPE	1	400	
50	22115-85401	* FUEL FILTER SUB ASSY	1	1,130	
51	22128-85410	** WEIGHT FUEL	1	270	
52	22128-85421	** FILTER	2	110	
53	22128-85440	** CLIP FILTER	1	100	
54	22118-85460	** SCREEN	2	170	
55	22128-85470	** SLEEVE	1	160	
56	22128-85480	** RING	1	50	
57	20020-85540	* CLIP	1	30	
58	72231-33440	ELEMENT ROD	1	60	









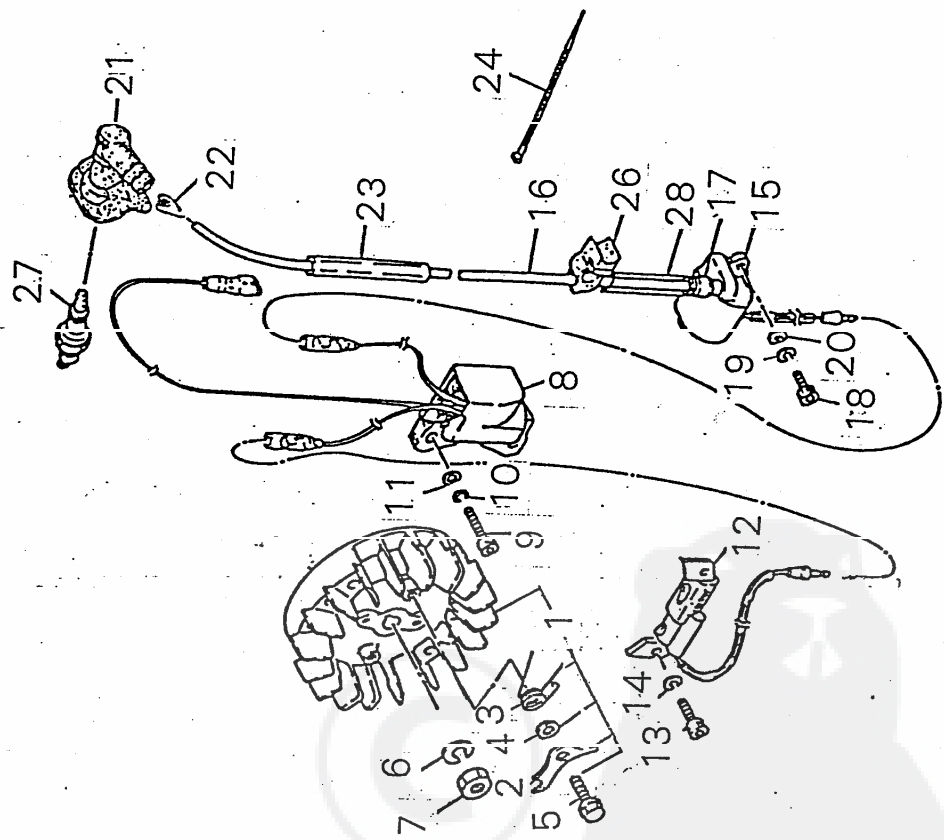
PRICE: (ST)

Ref. No	Part No.	Part Name	Q'ty	Remarks
5-	22155-51500	CLUTCH DRUM ASSY	1	
1	22150-51510	• CLUTCH DRUM	1	
2	22150-51520	• RIM	1	
3	22155-51530	• COVER	1	
53	22155-51550	FILTER B	1	
	22155-51200	CLUTCH ASSY	1	
4	22155-51210	• CLUTCH BOSS A	1	
5	22155-51220	• CLUTCH SHOE	3	
6	22150-51230	• CLUTCH SPRING	3	
7	22155-51240	• CLUTCH BOSS B	1	
8	22150-51310	BEARING	1	
9	72268-52720	GUIDE BAR 18	1	
10	18039-00640	SAW CHAIN	1	
11	22150-52310	PROTECTOR	1	
12	22150-52411	NUT	2	
13	22155-53310	SLIDE SCREW	1	
14	01610-05080	WASHER	1	
15	22150-52440	SLIDE PIECE	1	
16	22100-53330	LOCK NUT	1	
17	22150-52460	MOUNT GUARD	1	
18	11205-04100	SCREW PM	1	
19	22150-52470	CHAIN PAT	1	
20	22155-52510	CHAIN CATCHER	1	
21	01201-05120	SCREW	1	
	72282-54000	BRAKE ASSY	1	
	22155-54100	• CLUTCH COVER SUB ASSY	1	
22	22150-54111	•• CLUTCH COVER	1	
23	22150-52470	•• CHAIN PAT	1	
24	22150-54160	•• PROTECTOR	1	
25	72282-54140	• NAME PLATE C	1	
26	22150-54211	• BRAKE BAND	1	
27	22120-54220	• BOLT BAND	1	
28	02427-40125	• SPRING PIN	1	
29	22150-54311	• ADJUST ROD	1	
30	22150-54320	• ADJUST SCREW	1	
31	22150-54330	• BREAK SPRING	1	
32	22150-54340	• WASHER	1	
33	22150-54410	• BROCK	1	

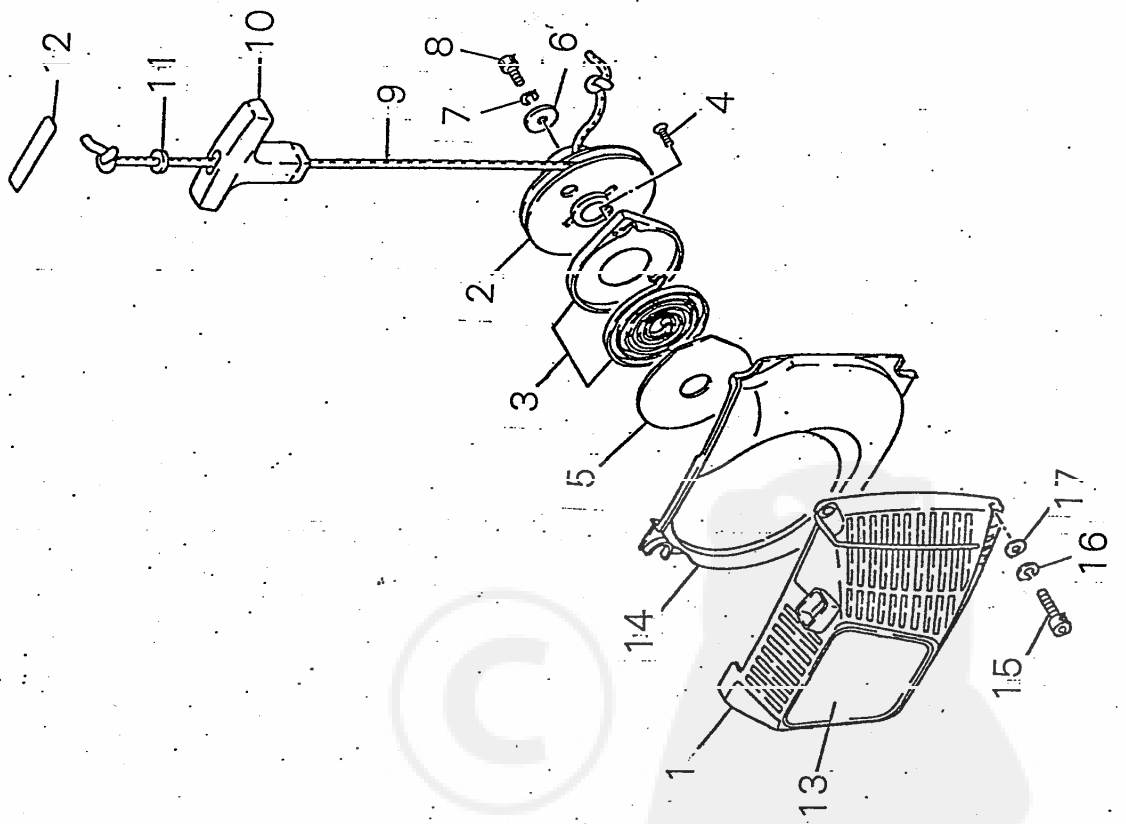
PARTS LIST  
SHINDAIWA  
(L138 LIA0380P)

695VK-18





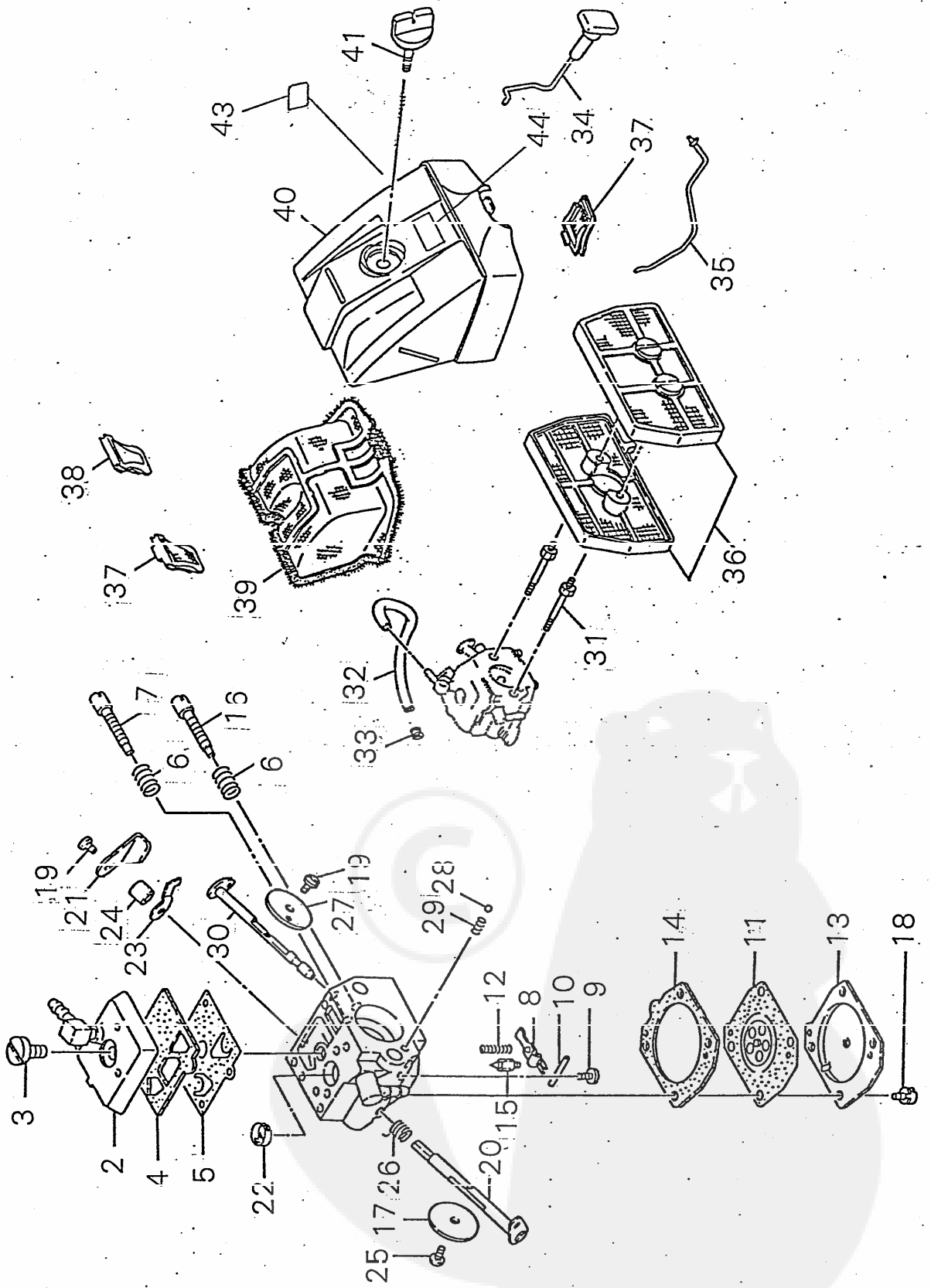






PRICE:(ST)

Ref. No.	Part No.	Part Name	Q'ty	emarks
7-	72269-75000	RECOIL STARTER ASSY #	1	
	72230-75104	* RECOIL STARTER SUB ASSY	1	
1	22150-75211	** RECOIL CASE	1	
2	22150-75310	** REEL	1	
3	22155-75410	** RECOIL SPRING A	1	
4	01201-05100	** SCREW	1	
5	22150-75431	** SLIDE PLATE	1	
6	22150-75450	** WASHER	1	
7	01600-05131	** SPRING WASHER	1	
8	01020-05120	** BOLT	1	
9	22150-75510	** ROPE	1	
10	22150-75520	** KNOB RECOIL	1	
11	22150-75530	** STOPPER KNOB	1	
12	20010-75230	** TAPE	1	
13	72282-75230	* NAME PLATE R	1	
14	22155-75610	* AIR PLATE	1	
15	01020-05200	* BOLT	4	
16	01600-05131	* SPRING WASHER	4	
17	01610-05080	* WASHER	4	



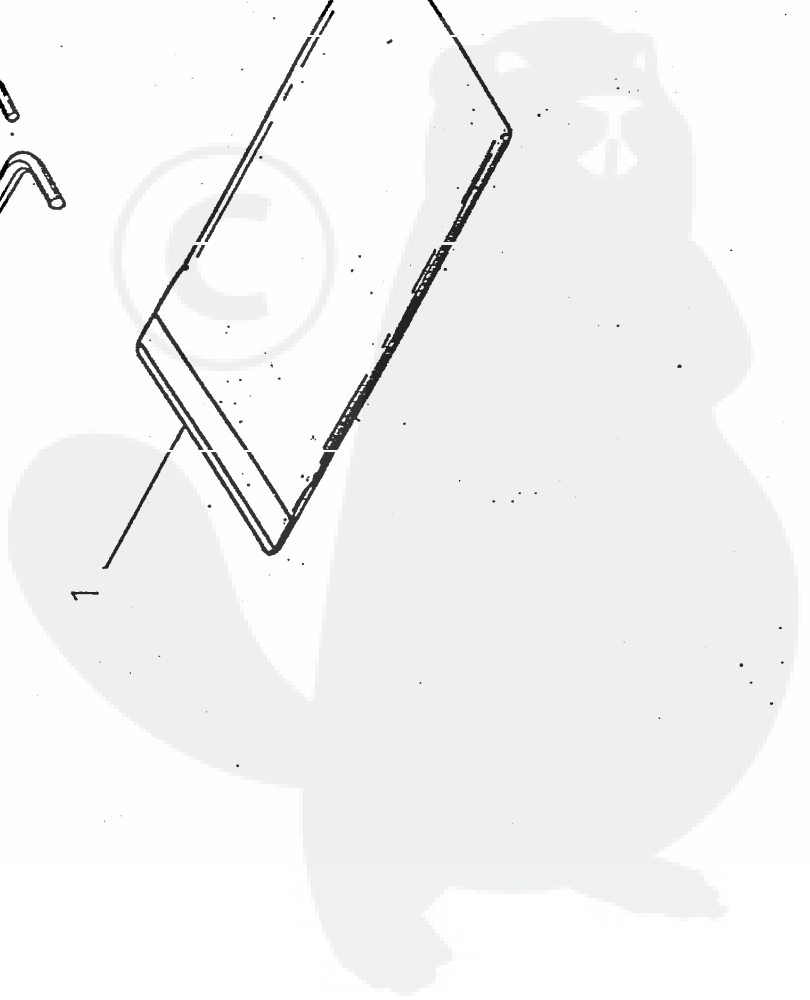
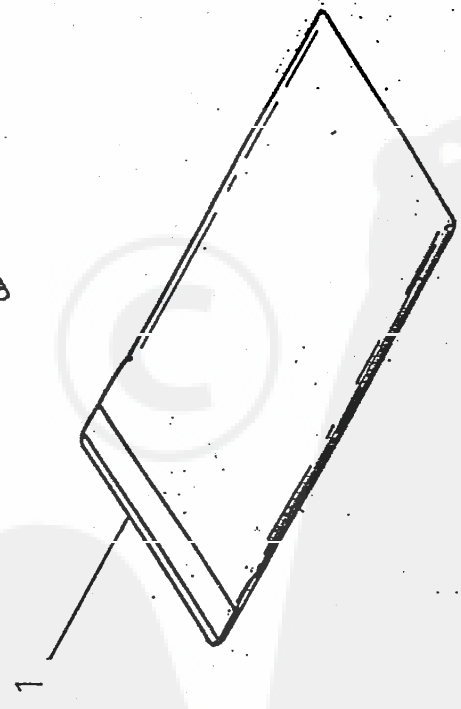
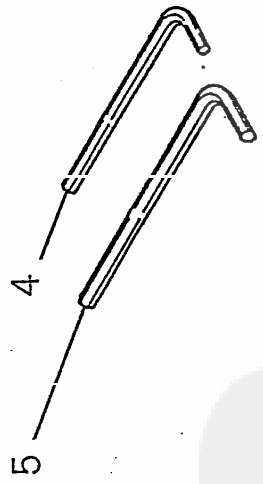
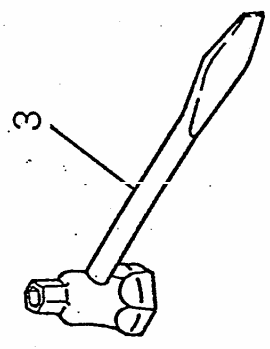
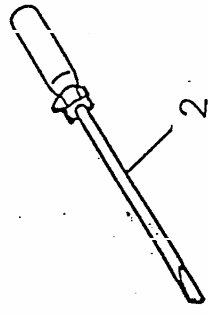
PRICE: (ST)

Ref. No	Part No.	Part Name	Q'ty	emarks
8-	22150-81001	CARBURETOR ASSY	1	
1	22150-81110	* BODY ASSY	1	
2	22150-81120	* PUMP COVER ASSY	1	
3	22150-81130	* SCREW	1	
4	22150-81140	* GASKET PUMP	1	
5	22150-81150	* DIAPHRAGM PUMP	1	
6	22100-81160	* SPRING L NEEDLE	2	
7	22150-81170	* L NEEDLE	1	
8	22150-81230	* LEVER	1	
9	22100-81240	* SCREW	1	
10	22100-81250	PIN	1	
11	22150-81260	* DIAPHRAGM ASSY	1	
12	22150-81270	* SPRING LEVER	1	
13	22150-81280	* COVER DAIPHRAGM	1	
14	22150-81290	* GASKET DIAPHRAGM	1	
15	20036-81440	* NFFDI F VAI VF	1	
16	22150-81331	* H NEEDLE	1	
17	22150-81340	* THROTTLE VALVE	1	
18	22100-81351	* SCREW ASSY	4	
19	22100-81360	* SCREW	2	
20	22150-81370	* SHAFT ASSY	1	
21	22150-81380	* THROTTLE LEVER	1	
22	70030-81380	* SCREEN	1	
23	22150-81390	* STOPPER	1	
24	22150-81410	* SPACER	1	
25	22150-81420	* SCREW ASSY	1	
26	22150-81430	* RETURN SPRING	1	
27	22150-81710	* CHOKE VAI VF	1	
28	22150-81720	* BALL	1	
29	22150-81730	* SPRING	1	
30	22150-81740	* SHAFT ASSY	1	
31	22150-82610	BOLT CARBUTETOR	2	
32	22155-82111	PULSE PIPE	1	
33	22150-82140	CLIP PULSE	1	
34	22150-82120	CHOKE ROD	1	
35	22150-82130	THROTTLE ROD	1	
36	22150-82301	AIR CLEANER COMP	1	
37	22150-82411	SUB CLEANER	2	

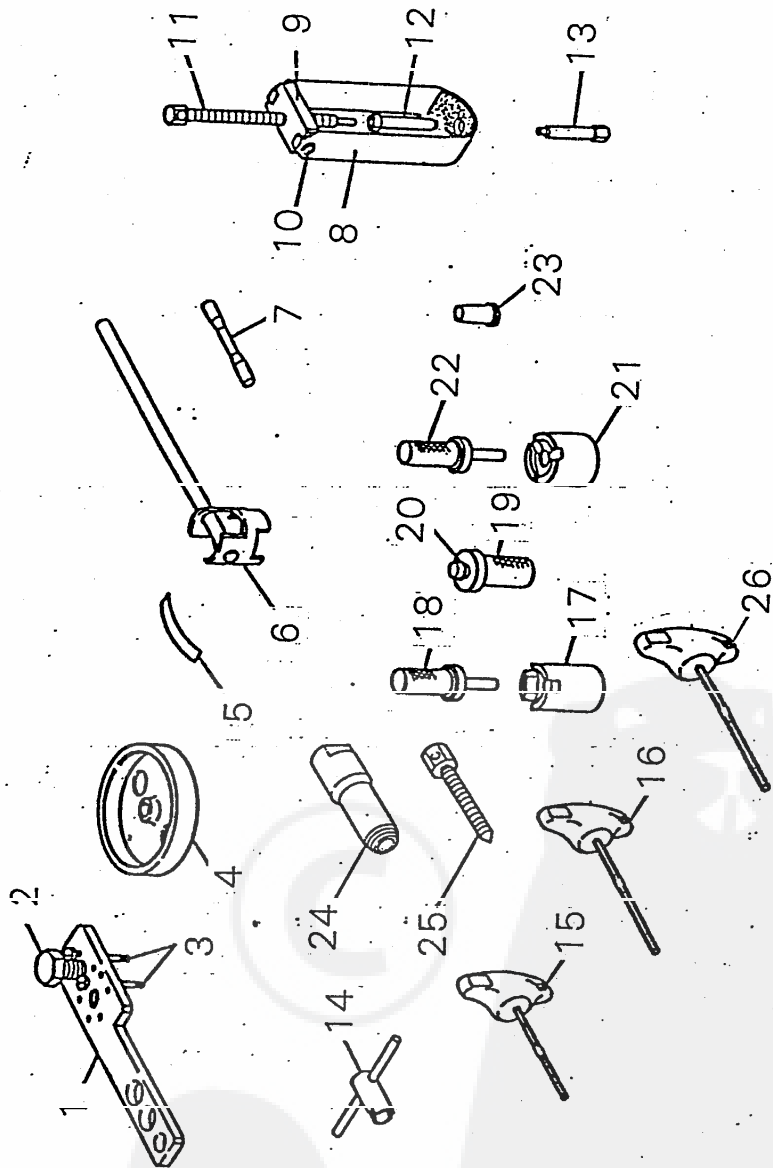
PARTS LIST  
SHINDAIWA  
(LI38 LIA0380P)

695VK-18





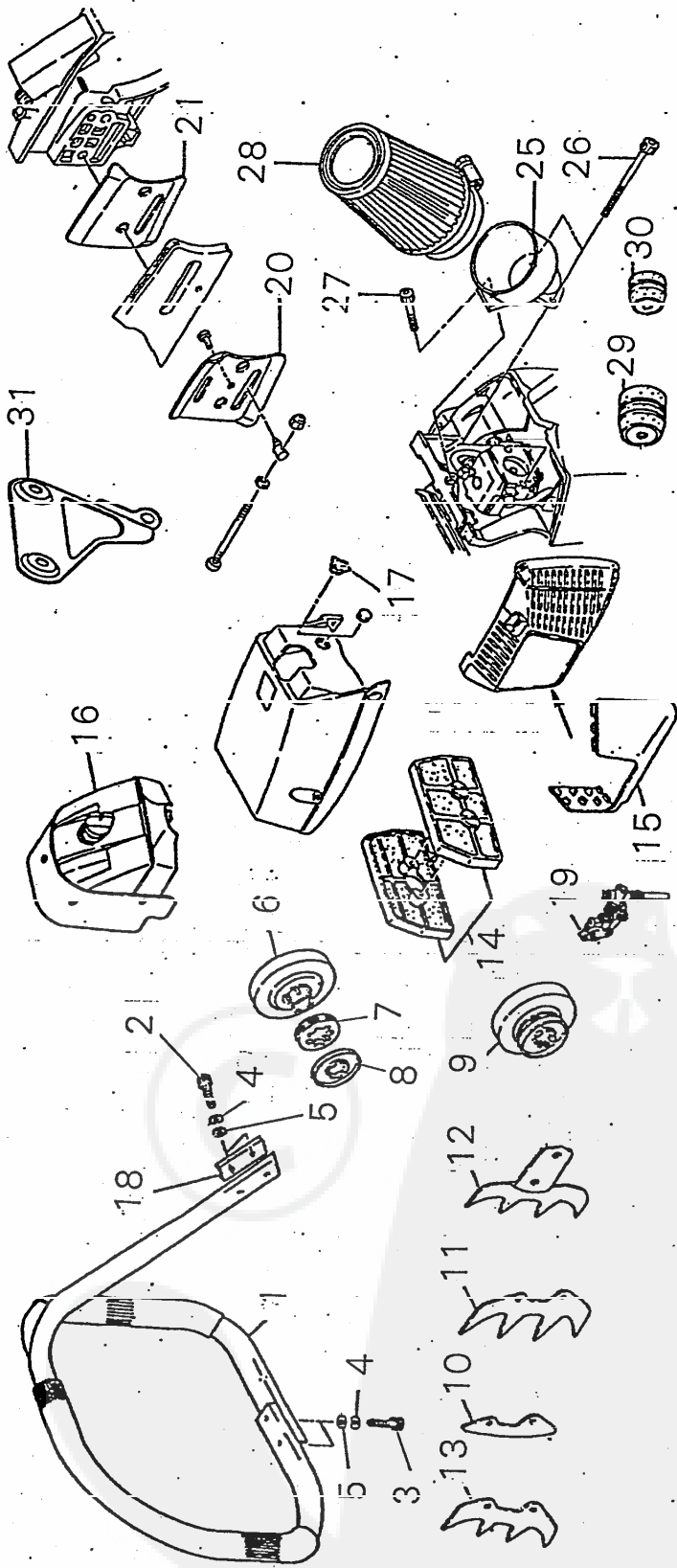




PRICE:(ST)

Ref. No	Part No.	Part Name	Qty	Remarks
10-	22155-96002	SPECIAL TOOL SET #	1	
	22150-96101	• PULLER ASSY	1	
1	20000-96114	•• LEVER	1	
2	22100-96121	•• CENTER BOLT	1	
3	22102-96130	•• BOLT	2	
4	22155-96210	• SEI GAUGE	1	
5	22155-96220	• AIR GAP GAUGE	1	
6	22155-91580	• CLUTCH SPANNER	1	
7	22155-96240	• PISTON STOPPER	1	
	22155-96300	• PULLER ASSY	1	
8	22155-96310	•• PULLER	1	
9	22155-96320	•• BOSS	1	
10	11204-06120	•• SCREW PM	2	
11	22155-96340	•• BOLT	1	
12	22155-96350	•• PIN ADAPTER	1	
13	22155-96360	•• GUIDE PIN	1	
14	22150-96510	• HOLDER SPRING	1	
15	22155-96521	• T RENCH 4	1	
16	22155-96531	• T RENCH 5	1	
26	22155-96540	• T RENCH 6	1	
17	22150-96410	• HOLDER M	1	
18	22150-96420	• ROD OIL SEAL M	1	
19	22150-96430	• ROD 6202	1	
21	22150-96450	•• ROD OIL SEAL C	1	
22	22150-96460	•• HOLDER 0	1	
23	22150-96600	• PULLER M ASSY	1	
24	22150-96610	•• PULLER M	1	
25	22150-96620	•• BOLT	1	





PRICE: (ST)

Ref. No.	Part No.	Part Name	Q'ty	Remarks
11-	22150-97101	FRONT HANDLE ASSY	# 1	
1	22150-97111	• FULL WRAP HAN	1	
2	22155-32190	• BOLT	2	
3	01020-05300	• BOLT	2	
4	01600-05131	• SPRING WASHER	4	
5	01610-05080	• WASHER	3	
18	22150-32120	• BRACKET	1	
	22155-97200	CLUTCH DRUM ASSY	1	
6	22150-51510	• CLUTCH DRUM	1	
7	22150-97220	• RIM	1	
8	22155-51530	• COVER	1	
9	22155-51110	• CLUTCH DRUM	1	
	72238-51502	CLUTCH DRUM ASSY	1	
6	22150-51510	• CLUTCH DRUM	1	
7	72238-51120	• RIM	1	
8	22155-51530	• COVER	1	
10	22150-97310	BUMPER	1	
11	22150-97320	LONG SPIKE	1	
12	22150-97330	SPIKE C	1	
13	72230-52630	SPIKE	1	
14	72231-82300	AIR CLEANER COMP	1	
15	22155-97510	SNOW COVER	1	
16	22155-97400	WINTER COVER COMP	1	
17	22155-97520	DUCT	1	
19	22150-97550	OIL PUMP	1	
20	22155-97610	GUIDE PLATE A	1	
21	22155-97620	GUIDE PLATE B	1	
	22155-97705	CLEANER SET	# 1	
	72230-97707	• JOINT SET	# 1	
25	22155-97710	• JOINT	1	
26	01020-05160	• BOLT	2	
27	01020-05500	• BOLT	1	
28	22155-97720	• AIR CLEANER	1	
29	22155-97810	CUSHION 26	3	
30	22155-97820	CUSHION 22	2	
31	22150-97910	MUFFLER STAY	1	