

# shindaiwa

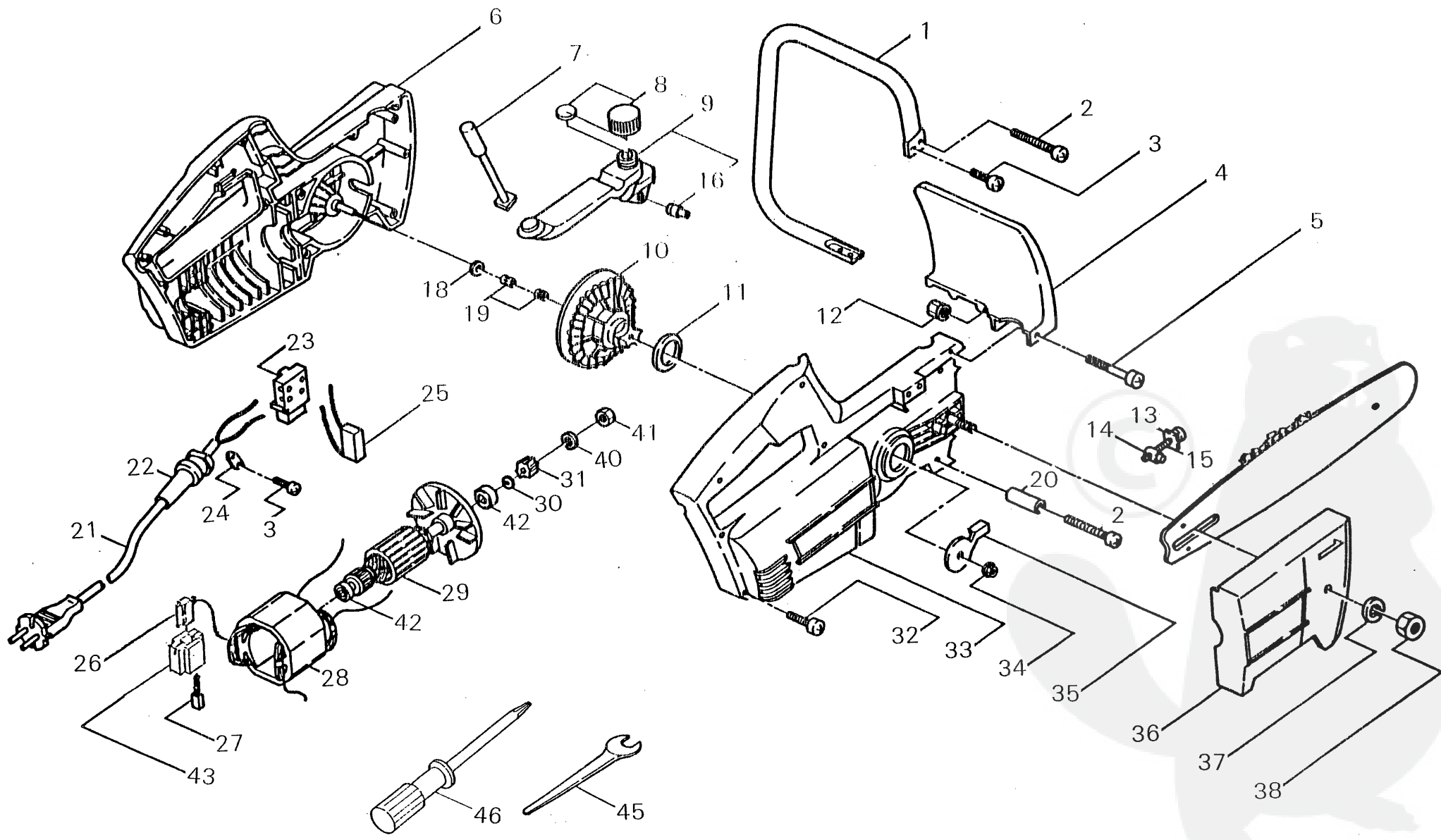
## PARTS PRICE LIST

A100/EYB100C

**SHIN-DAIWA KOGYO CO., LTD.**

35, Ooaza Shin-Ujigami, Chiyoda-cho Yamagata-gun, Hiroshima, 731-14 Japan  
Telephone (082672) 6011 Telex 665871 SDKHIR Fax (082672) 6001, 6002  
Cable Address SHINDAIWA HIROSHIMA

9/1. A. 12



Ref. No.	Part No.	Part Name	Q'ty
1-	1 23104-35100	FRONT HANDLE COMP	1
	2 11202-40400	SCREW HILO	2
	3 11202-40100	SCREW HILO	5
	4 23104-36110	PROTECTOR	1
	5 01215-04451	SCREW TRUSS	1
	6 74144-31100	LEFT CASE COMP.	1
	<del>7 23104-62130</del>	<del>PUSH ROD</del>	<del>1</del>
	8 23104-62100	TANK CAP SUB ASSY	1
	9 74144-62200	OIL TANK COMP	1
	10 23107-61100	SPROCKET COMP	1
	11 23104-61210	DUST SEAL	1
	12 73172-93110	SPRING NUT	1
	13 73172-34110	PLATE	1
	14 17110-05000	SLIDE PIECE	1
	15 74144-34120	SCREW PM	1
	16 74144-62220	OIL TUBE	1
	18 23104-61220	THRUST WASHER	1
	19 23104-61230	BEARING	2
	20 15401-00201	COLLAR	1
	21 73156-71110	POWER CORD	1
	22 73156-71210	CORD PROTECTOR	1
	24 73172-71220	CORD CLAMP	1
	25 14102-15400	CONDENSER	1
	26 14863-01053	BRUSH HOLDER	2
	27 14732-05070	BRUSH	2
	28 14812-34521	FIELD	1
	29 14802-34526	ARMATURE K-2E	1
	30 15401-10000	COLLAR	1
	31 23104-51120	PINION	1
	32 11202-40200	SCREW HILO	9
	33 74144-32100	RIGHT CASE COMP	1
	34 11526-04312	FLANGE NUT	1
	35 23104-61240	SIDE PLATE	1
	36 74144-33100	BAR HOLDER COMP	1
	37 01600-08201	SPRING WASHER	1
	38 01500-08061	NUT	1
	39 73172-62110	CAP PACKING	1
	40 01600-06151	SPRING WASHER	1

PARTS LIST  
SHINDAIWA  
(LI38 LIA0380P)

