

shindaiwa

PARTS PRICE LIST

A100

SHIN-DAIWA KOGYO Co., Ltd.

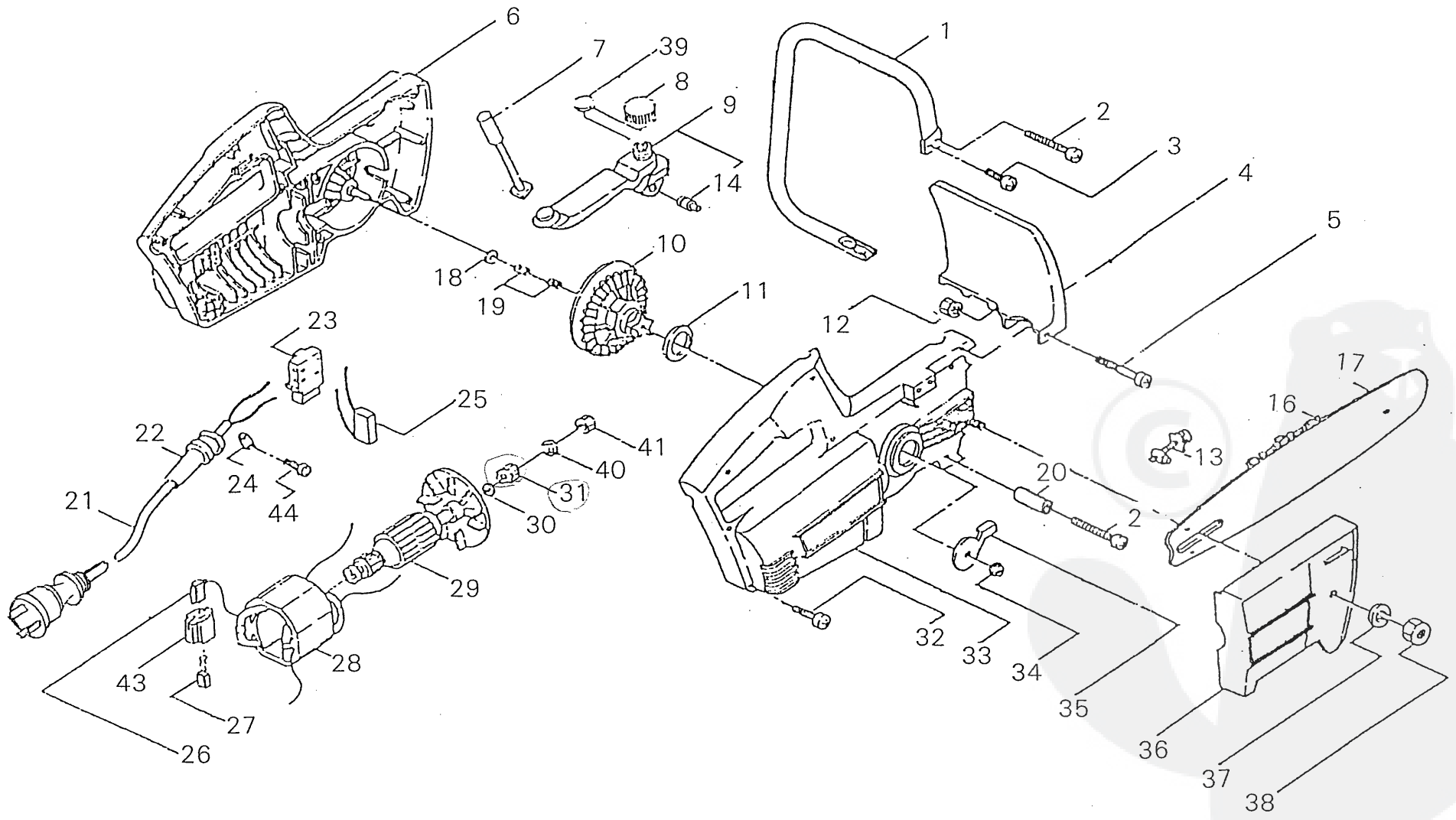
35, Ooaza Shin-Ujigami, Chiyoda-cho Yamagata-gun, Hiroshima, 731-15 Japan

Telephone (082672)6011 Telex 665871 SDKHIR Fax (082672)7005

Cable Address SHINDAIWA HIROSHIMA

A100/WB

JUN. 8. 1992



Ref. No.	Part No.	Part Name	Q'ty
1- 1	23104-35100	FRONT HANDLE COMP	1
2	11202-40400	SCREW HILO	2
3	11202-40100	SCREW HILO	3
4	23104-36110	PROTECTOR	1
5	01215-04451	SCREW TRUSS	1
6	74150-31100	LEFT CASE COMP	1
7	23104-62130	PUSH ROD	1
8	23104-62120	TANK CAP	1
9	74144-62200	OIL TANK COMP	1
14	74144-62220	OIL TUBE	1
10	23107-61100	SPROCKET COMP	1
11	23104-61210	DUST SEAL	1
12	73172-93110	SPRING NUT	1
13	74144-34000	ADJUSTER ASSY	1
16	¹⁸⁰¹⁹ 18041 -00450	SAW CHAIN	1
17	74150-93110	GUIDE BAR	1
18	23104-61220	THRUST WASHER	1
19	23104-61230	BEARING	2
20	15401-00201	COLLAR	1
21	74150-71110	POWER CORD	1
22	73156-71210	CORD PROTECTOR	1
23	05211-22201	SWITCH	1
24	73172-71220	CORD CLAMP	1
25	14102-15400	CONDENSER	1
26	14863-01053	BRUSH HOLDER	2
27	14732-05070	BRUSH	2
28	14813-34522	FIELD	1
29	73168-51100	ARMATURE COMP	1
30	15401-10000	COLLAR	1
31	23104-51120	PINION	1
32	11202-40200	SCREW HILO	9
33	23107-32100	RIGHT CASE COMP	1
34	11526-04312	FLANGE NUT	1
35	23104-61240	SIDE PLATE	1
36	73178-33100	BAR HOLDER COMP	1
37	01600-08201	SPRING WASHER	1
38	01500-08061	NUT	1
39	73172-62110	CAP PACKING	1

PARTS LIST
SHINDAIWA
(L138 LIA0380P)

