

PRICE:(¥)

Ref. No	Part No.	Part Name	Q'ty	emarks
1- 1	75119-31100	LEFT CASE COMP	1	
2	17120-69000	BUSH	1	
3	24143-31120	HOLDER A	2	
4	14863-01122	BRUSH HOLDER	2	
5	14732-05110	BRUSH	2	
6	24190-31130	BARRIER	1	
7	24190-32110	END COVER	1	
8	24143-32120	HOLDER B	2	
9	11202-40160	SCREW HILO	13	
10	75122-33110	RIGHT CASE	1	
11	17120-67000	BUSH	2	
12	11202-40200	SCREW HILO	10	
14	75122-09340	GEAR CASE COMP	1	
11	17120-67000	BUSH	1	
15	17110-05000	SLIDE PIECE	1	
16	75120-34210	SCREW PM	1	
17	24190-31120	HANDLE SUPPORT	1	
18	11202-40161	SCREW HILO	3	
19	24162-36100	BAR HOLDER COMP	1	
20	24162-36121	STOPPER	1	
21	17500-07800	COIL SPRING	1	
22	17510-13000	COIL SPRING	1	
23	24162-36130	BAR HOLDER	1	
24	01610-08120	WASHER	1	
25	01600-08201	SPRING WASHER	1	
26	01500-08061	NUT	1	
27	24162-37100	PROTECTOR COMP	1	
28	24162-37200	BRAKE LEVER COMP	1	
29	11202-40121	SCREW HILO	3	
30	14802-34002	ARMATURE AD-2C	1	
31	02002-06000	BEARING	2	
32	02002-00627	BEARING	2	
33	14812-34000	FIELD	1	
34	23113-52110	PLATE	2	
35	15401-11006	COLLAR	1	
36	12031-06400	SPROCKET	1	
37	02430-10100	SNAP RING	1	
38	24162-61210	CLUTCH	1	

PARTS LIST
SHINDAIWA
(LI38 LIA0380P)

A90B/VK-12

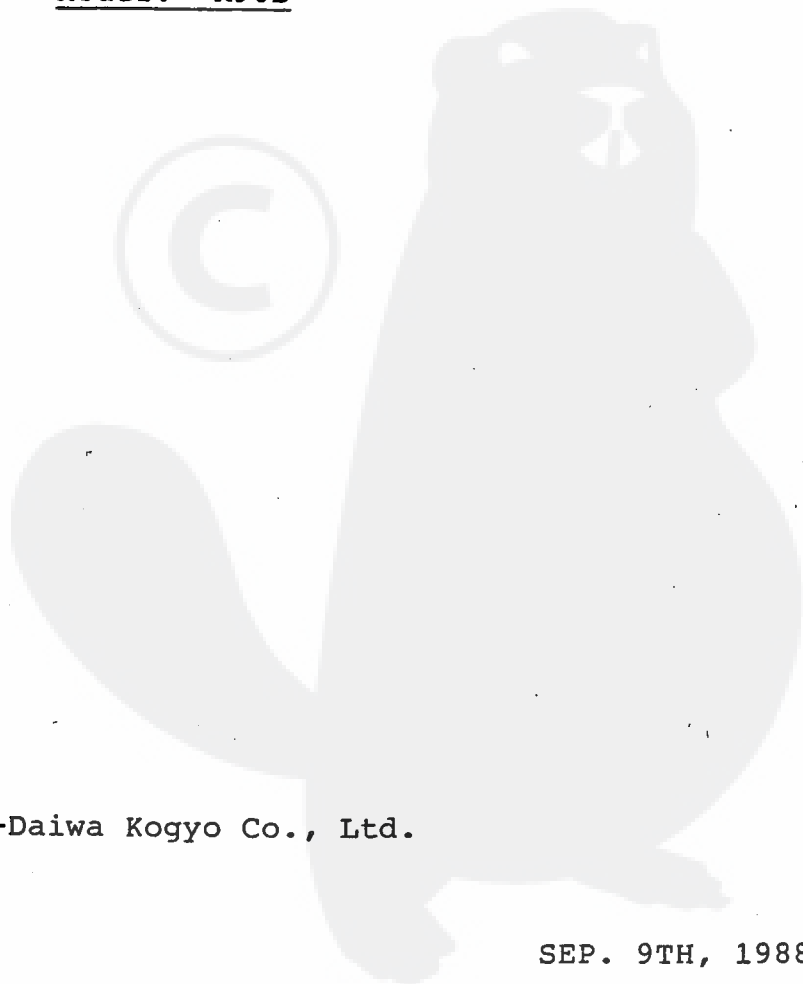
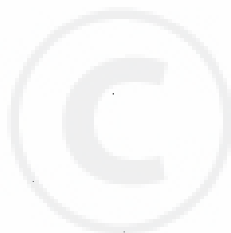
PRICE:(¥)

Ref. No	Part No.	Part Name	Q' ty	emarks
1- 39	17500-12600	COIL SPRING	1	
40	24143-61240	BOLT SW	1	
41	24190-62101	OIL TANK COMP	1	
42	02301-00400	O RING	1	
43	24190-62140	FILTER	1	
44	23115-71210	CORD CLAMP	1	
45	24190-62200	OIL PUMP COMP	1	
46	24190-62300	PISTON COMP	1	
47	17500-03501	COIL SPRING	1	
48	24162-65102	GEAR COMP	1	
49	75159-71110	POWER CORD	1	
50	75180-71120	CORD PROTECTOR	1	
51	23180-71120	CLAMP	1	
52	05211-22202	SWITCH	1	
53	14102-15450	CONDENSER	1	
54	12200-11100	OILLESS METAL	1	
55	18132-01202	GUIDE BAR	1	
56	18041-00450	SAW CHAIN	1	
57	23104-62120	TANK CAP	1	
58	15250-09100	GROMMET	1	
59	01210-04100	SCREW	2	
60	73172-62110	CAP PACKING	1	
	75180-92000	TOOL SET	1	
61	09011-13006	• SPANNER	1	
62	09002-61005	• DRIVER	1	
63	19600-44100	PROTECTOR	1	

PARTS PRICE LIST

SHINDAIWA

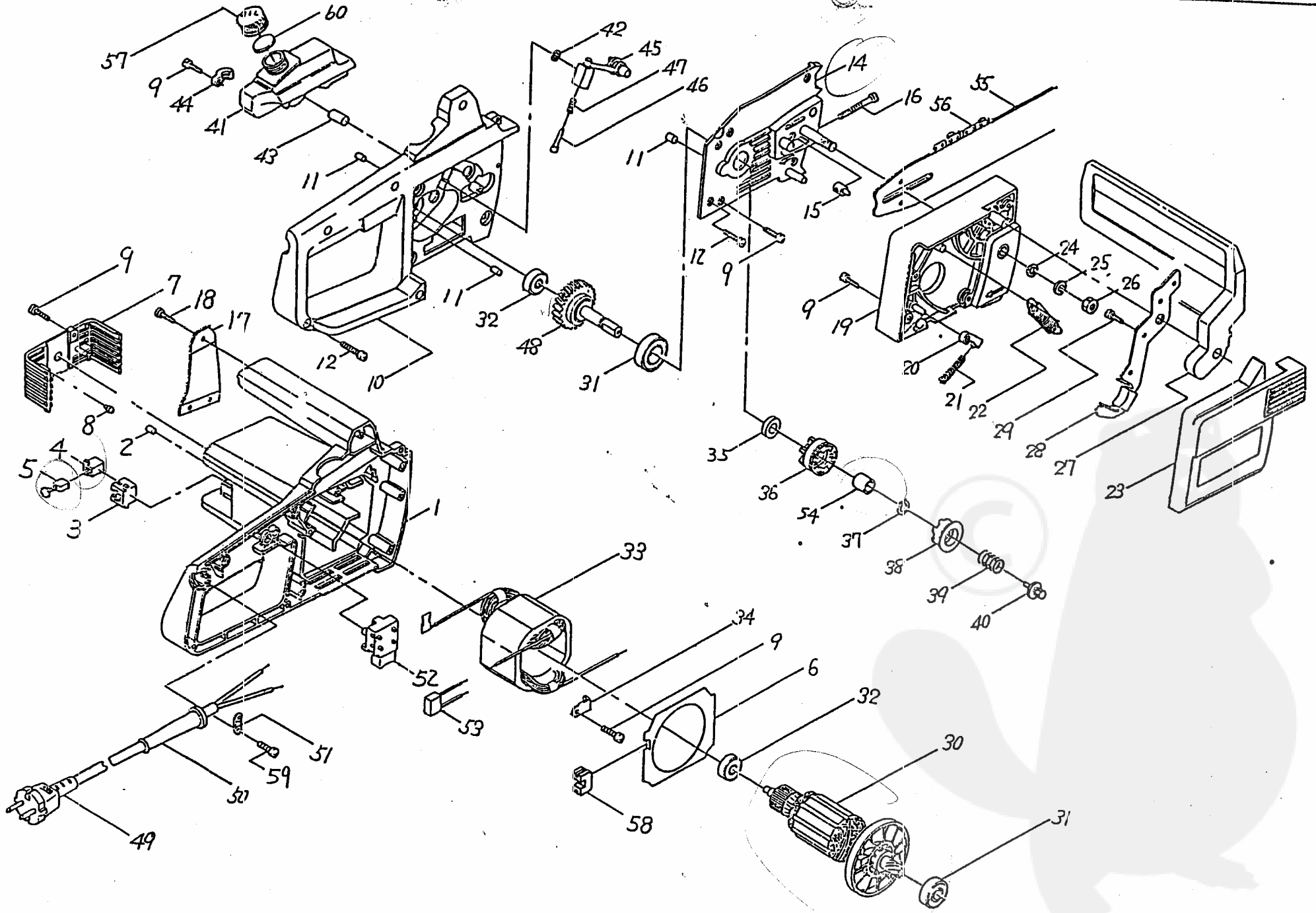
Model: A90B



Shin-Daiwa Kogyo Co., Ltd.

SEP. 9TH, 1988

- 1 -



Ref. No	Part No.	Part Name	Q'ty
1- 1	75119-31100	LEFT CASE COMP.	1
2	17120-69000	BUSHING	1
3	24143-31120	HOLDER A	2
4	14863-01122	BRUSH HOLDER	2
5	14732-05110	BRUSH	2
6	24190-31130	BARRIER	1
7	24190-32110	END COVER	1
8	24143-32120	HOLDER, B	2
9	11202-40160	SCREW HILO	13
10	75122-33110	RIGHT CASE	1
11	17120-67000	BUSH	3
12	11202-40200	SCREW HI-LO	10
14	75122-34100	GEAR CASE-SA	1
15	17110-05000	SLIDE PIECE	1
16	75120-34210	SCREW-PM	1
17	24190-31120	HANDLE SUPPORT	1
18	11202-40161	SCREW HI-LO	3
19	24162-36100	BAR HOLDER	1
20	24162-36121	STOPPER	1
21	17500-07800	COIL SPRING	1
22	17510-14000	COIL SPRING	1
23	24162-36130	BAR HOLDER	1
24	01610-08120	WASHER	1
25	01600-08201	SPRING WASHER	1
26	01500-08061	NUT	1
27	24162-37100	PROTECTOR-C	1
28	24162-37200	BRAKE LEVER-C	1
29	11202-40121	SCREW HILO	3
30	14802-34002	ARMATURE	1
31	02002-06000	BEARING	2
32	02002-00627	BEARING	2
33	14812-34000	FIELD	1
34	23113-52110	PLATE	2
35	15401-11006	COLLER	1
36	12031-06400	SPROCKET	1
37	02430-10100	SNAP RING	1
38	24162-61210	CLUTCH	1
39	17500-12600	COIL SPRING	1

e m a r k s

REF NO.: HT-91-0695
 PAGE: 3/3

eg: ROTOR 20021-71201 ----- The latest part No.
 (R/P 20021-71200) ----- The number you ordered with.

⑤ The followings are the part numbers which you could not refer to in this order.

<u>A105B</u>	REF NO.	PART NO.	PART NAME	
	229	23111-63200	OIL PUMP	
	230	14731-06121	CARBON BRUSH	★
	231	14802-53000	ARMATURE	
	232	14731-06121	CARBON BRUSH	★
	233	23111-93100	GUIDE BAR	(not available)
	234	23111-62110	SIDE PLATE	☆
	235	12030-07100	SPROCKET	
	236	23111-62110	SIDE PLATE	☆

SOL0618

237	14802-35001	ARMATURE
238	14732-05110	CARBON BRUSH
239	24143-61100	SPROCKET

☆☆: When you place you order next time, please do not put the same item separately. This will be rejected by the the computer.

Awaiting for your prompt reply.

Best regards